



US00D791322S

(12) **United States Design Patent**
DeNeui

(10) **Patent No.:** **US D791,322 S**
(45) **Date of Patent:** **** Jul. 4, 2017**

- (54) **TROCAR**
- (71) Applicant: **BioTE Medical, LLC**, Irving, TX (US)
- (72) Inventor: **Dustin C. DeNeui**, Colleyville, TX (US)
- (**) Term: **15 Years**
- (21) Appl. No.: **29/555,927**
- (22) Filed: **Feb. 25, 2016**

5,697,947 A * 12/1997 Wolf A61B 17/3496
606/185

D397,437 S 8/1998 Hlavicka
5,957,947 A 9/1999 Wattiez et al.
D426,305 S 6/2000 Hein
D443,360 S 6/2001 Haberland
D444,691 S 7/2001 Ray
D454,394 S * 3/2002 Jansen D24/130
6,447,477 B2 9/2002 Burney et al.
6,569,119 B1 5/2003 Haberland et al.
D496,728 S 9/2004 Holsinger
D582,552 S 12/2008 Berberich

(Continued)

Related U.S. Application Data

- (62) Division of application No. 29/486,144, filed on Mar. 26, 2014, now Pat. No. Des. 773,664.
- (51) **LOC (10) Cl.** **24-02**
- (52) **U.S. Cl.**
USPC **D24/146**
- (58) **Field of Classification Search**
USPC D7/649; D8/93, 97, 300, 310, 311, 313;
D19/110, 115; D24/127, 130, 133, 146,
D24/147, 148
CPC .. B26B 3/00; B26B 1/10; B26B 5/005; A61B
17/809; A61B 17/1617; A61B 17/3211;
A61B 17/3417; A61B 5/1411
See application file for complete search history.

(56) **References Cited**

U.S. PATENT DOCUMENTS

1,867,624 A 7/1932 Joseph
3,994,287 A 11/1976 Turp et al.
D295,317 S 4/1988 Gazale
4,900,309 A 2/1990 Netherton et al.
5,301,684 A 4/1994 Ogirala
5,334,150 A 8/1994 Kaali
5,387,197 A 2/1995 Smith et al.
D373,827 S 9/1996 Polaniec

FOREIGN PATENT DOCUMENTS

EP 2179700 B1 7/2013
GB 2486497 B 6/2013

(Continued)

Primary Examiner — Garth Rademaker
Assistant Examiner — Samantha Q Lawrence

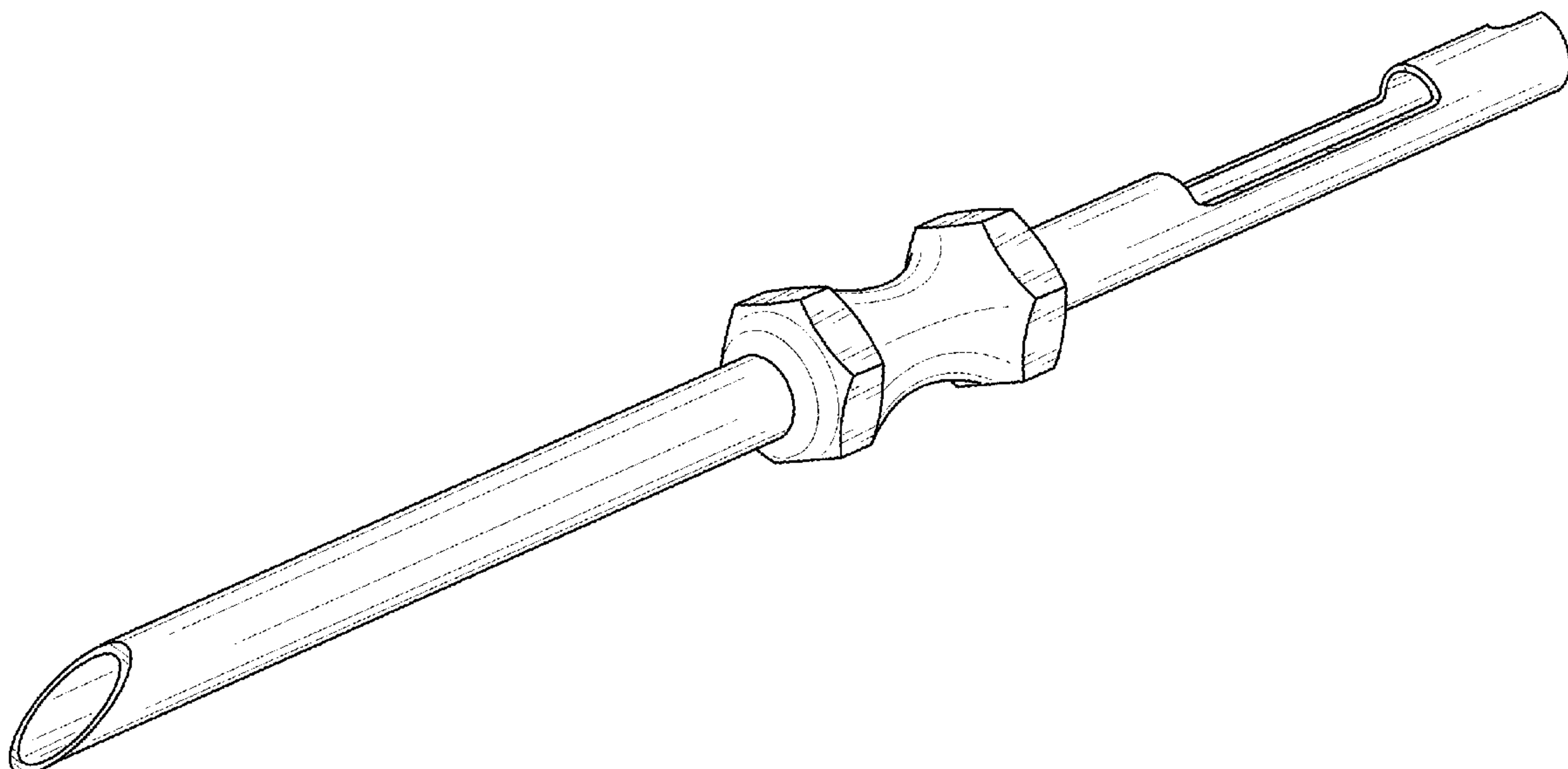
(57) **CLAIM**

The ornamental design for a trocar, as shown and described.

DESCRIPTION

FIG. 1 is a perspective view of a trocar;
FIG. 2 is a right side elevational view of the trocar of FIG. 1;
FIG. 3 is a left side elevational view of the trocar of FIG. 1;
FIG. 4 is a top elevational view of the trocar of FIG. 1;
FIG. 5 is a bottom elevational view of the trocar of FIG. 1;
FIG. 6 is a rear elevational view of the trocar of FIG. 1;
FIG. 7 is a front elevational view of the trocar of FIG. 1; and,
FIG. 8 is a perspective view of the trocar of FIG. 1.
The broken lines shown in FIGS. 6 and 8 depict environmental subject matter only and form no part of the claimed design.

1 Claim, 5 Drawing Sheets



(56)

References Cited

U.S. PATENT DOCUMENTS

D590,945	S	*	4/2009	Berberich	D24/133
D594,119	S	*	6/2009	Berberich	D24/133
D599,015	S		8/2009	Peterson	
D603,043	S		10/2009	Kreidler	
D606,193	S	*	12/2009	Oberlaender	D24/146
D614,302	S	*	4/2010	Eisele	D24/146
7,708,751	B2		5/2010	Hughes et al.	
D620,108	S	*	7/2010	Eitenmueller	D24/144
D637,289	S	*	5/2011	Berberich	D24/146
8,029,474	B2		10/2011	Chung	
D667,554	S	*	9/2012	Casabonne	D24/146
8,469,987	B2		6/2013	Delsman	
D692,133	S	*	10/2013	Steinwachs	D24/146
D727,499	S	*	4/2015	Schad	D24/146
D728,098	S	*	4/2015	Schad	D24/146
D728,099	S	*	4/2015	Schad	D24/146
D737,973	S	*	9/2015	Nagele	D24/146
D740,420	S	*	10/2015	Spycher	D24/146
D761,961	S	*	7/2016	Tan	D24/146
D773,664	S	*	12/2016	DeNeui	D24/147
2008/0200915	A1		8/2008	Globerman et al.	
2009/0192444	A1		7/2009	Albrecht et al.	
2010/0249750	A1		9/2010	Racz	
2013/0031735	A1		2/2013	Brand et al.	
2014/0257296	A1		9/2014	Morgenstern Lopez	
2015/0088177	A1*		3/2015	Jeziarski	A61B 17/32002 606/167

FOREIGN PATENT DOCUMENTS

WO	WO 9507663	A1	3/1995
WO	WO 2009057117	A2	5/2009
WO	WO 2013158163	A1	10/2013

* cited by examiner

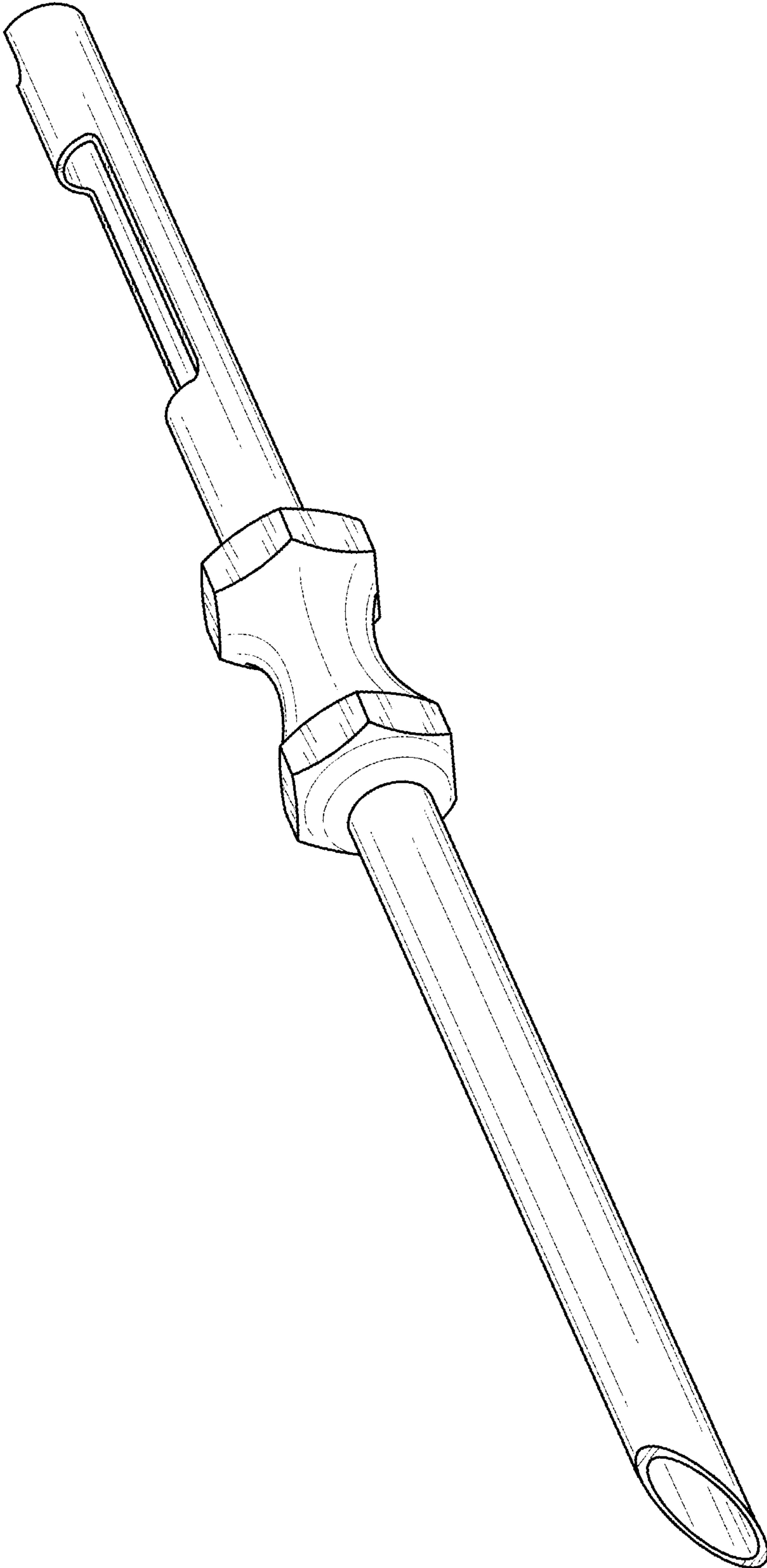


FIG. 1

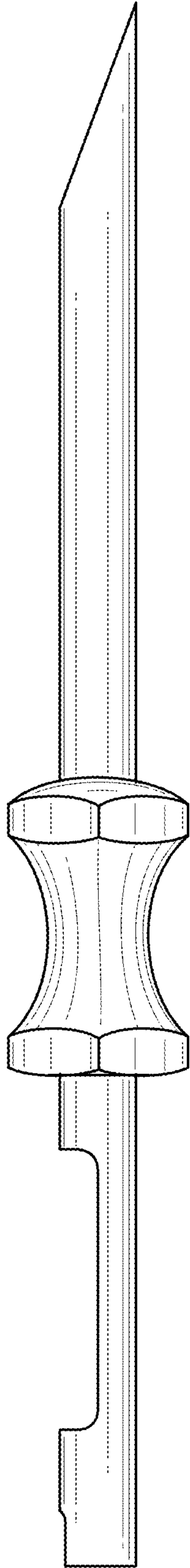


FIG. 2

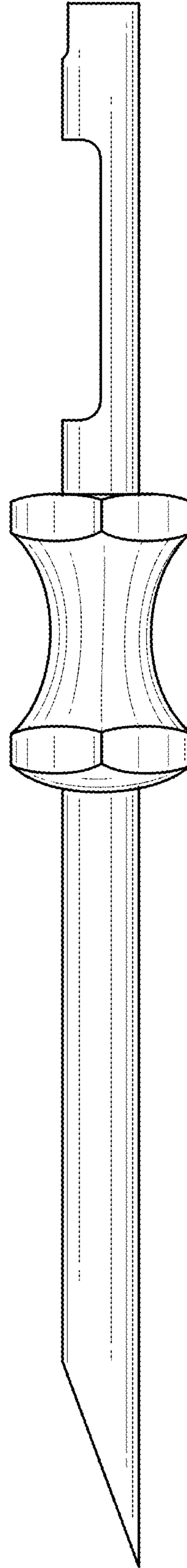


FIG. 3

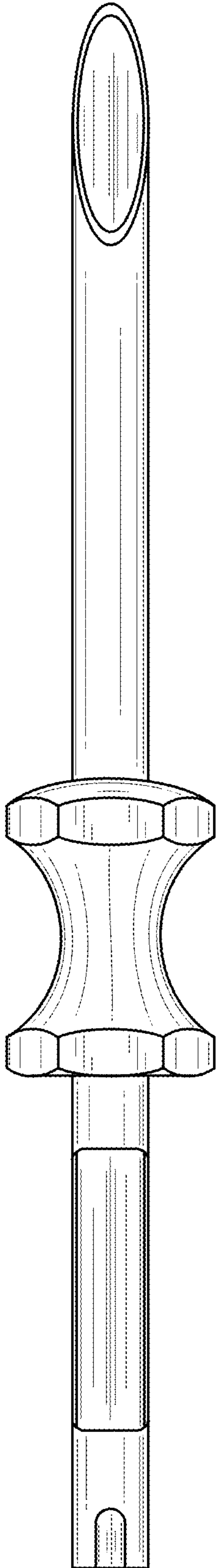


FIG. 4

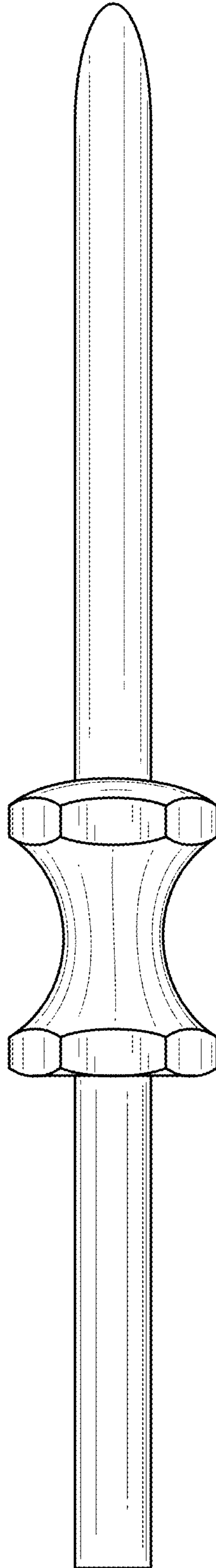


FIG. 5

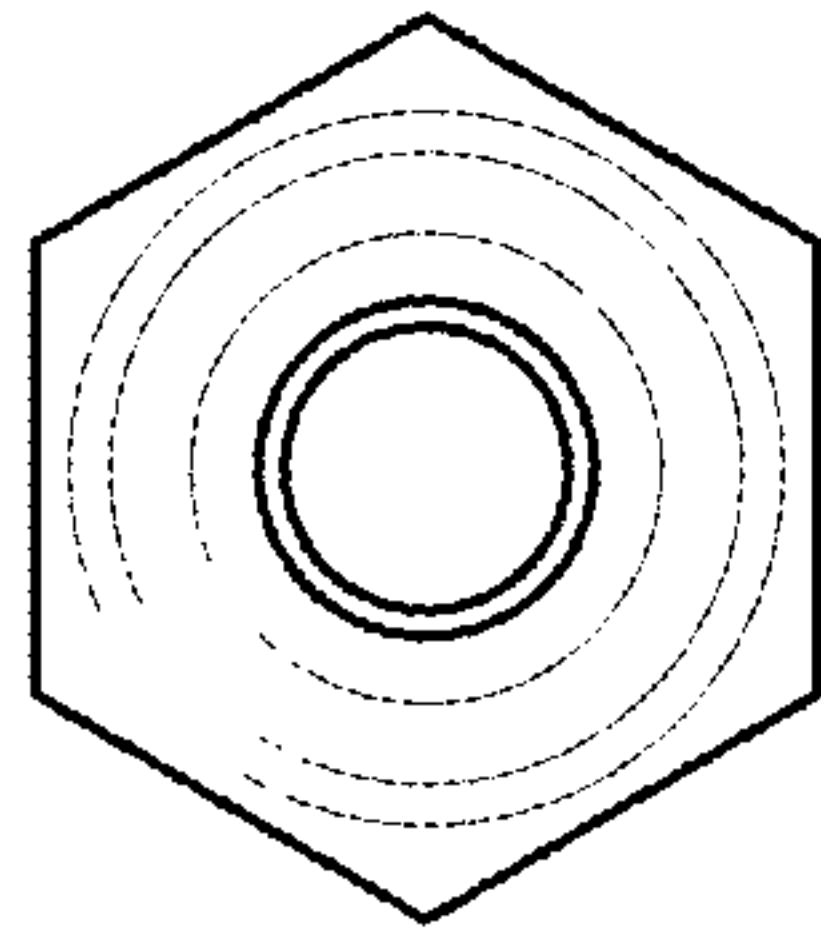


FIG. 7

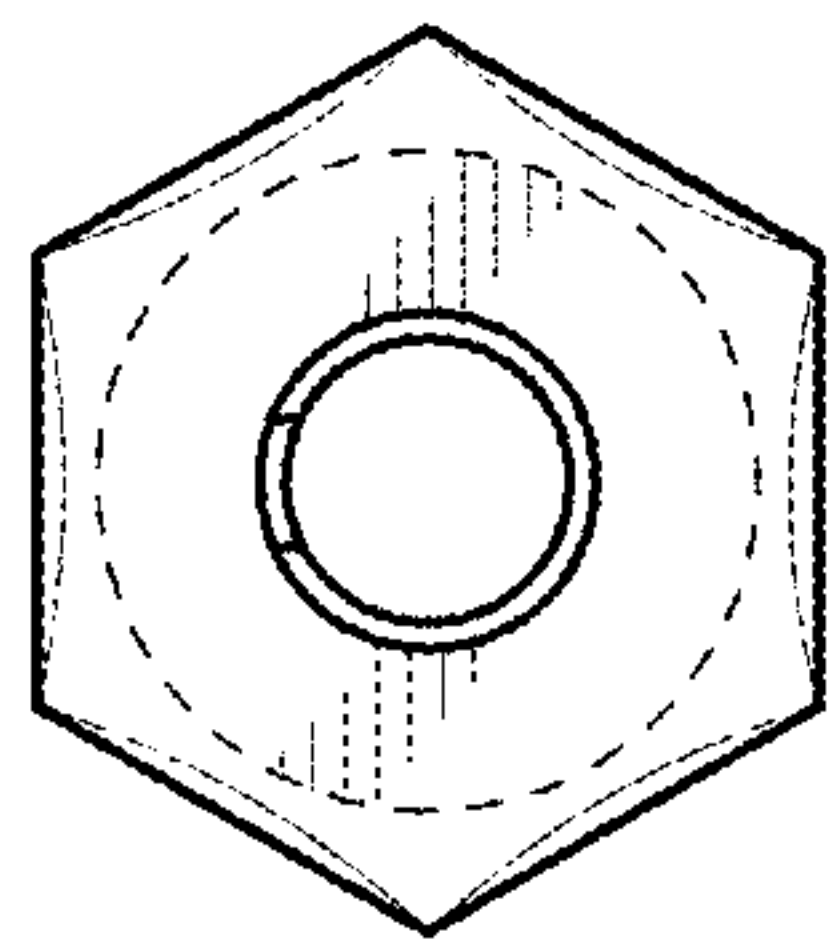


FIG. 6

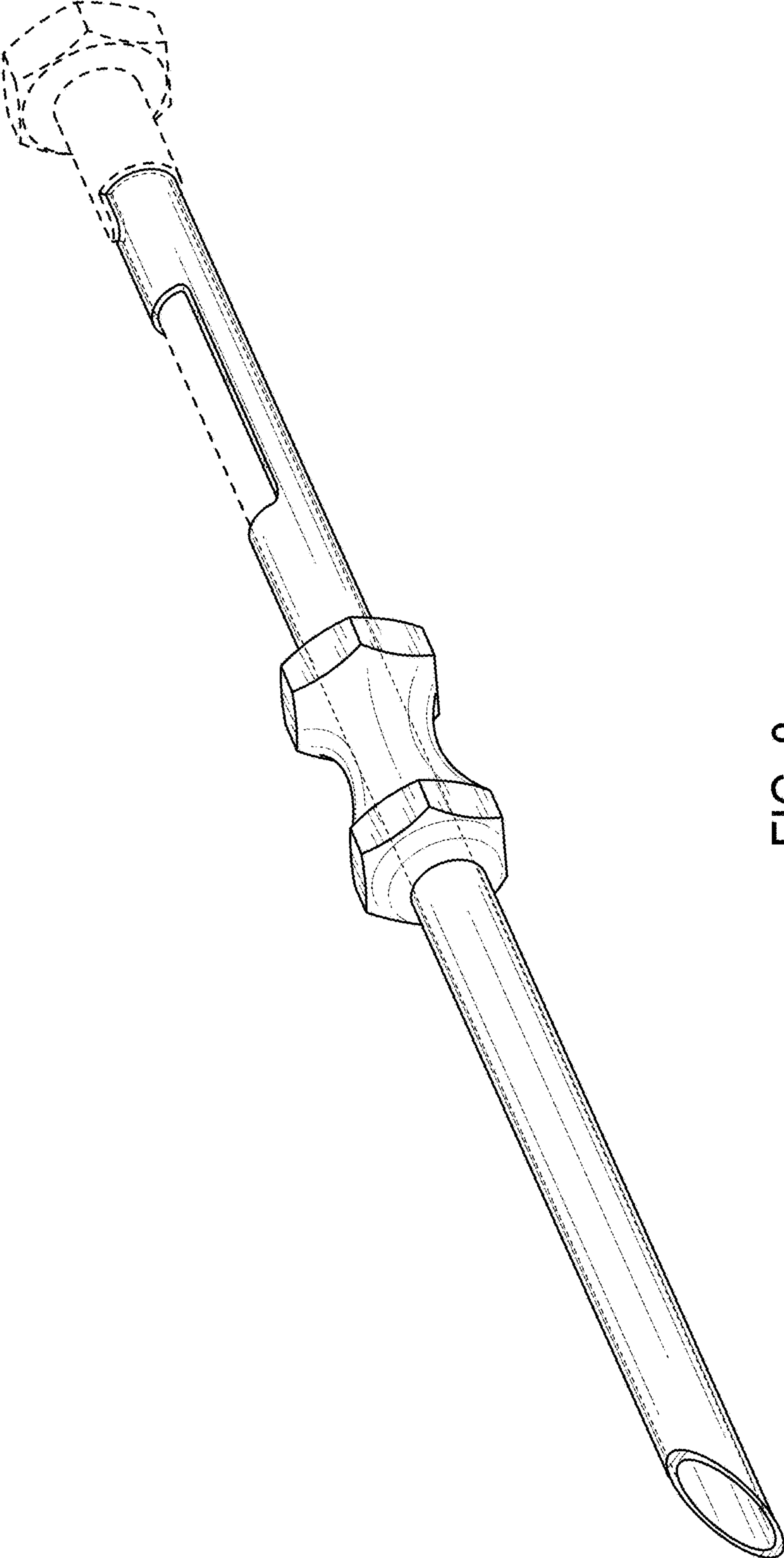


FIG. 8