



US00D791321S

(12) **United States Design Patent** (10) **Patent No.:** **US D791,321 S**
Wittner (45) **Date of Patent:** **** Jul. 4, 2017**

(54) **SHAFT INSTRUMENT FOR SHAVING TISSUE**

(71) Applicant: **Karl Storz GmbH & Co. KG,**
Tuttlingen (DE)

(72) Inventor: **Stefan Wittner,** Tuttlingen (DE)

(73) Assignee: **Karl Storz GmbH & Co. KG,**
Tuttlingen (DE)

(**) Term: **15 Years**

(21) Appl. No.: **29/548,249**

(22) Filed: **Dec. 11, 2015**

(30) **Foreign Application Priority Data**

Jun. 17, 2015 (EP) 002720714-0002

(51) **LOC (10) Cl.** **24-02**

(52) **U.S. Cl.**
USPC **D24/146**

(58) **Field of Classification Search**
USPC D24/127, 130, 133, 137, 141, 144,
D24/146-148; 606/190, 166-170, 184;
600/101, 210, 129; D19/110, 115;
D8/93, 97, 300, 313, 311; D7/681
CPC .. B26B 3/00; B26B 1/10; B26B 5/005; A61B
17/809; A61B 17/1617; A61B 17/3211;
A61B 17/3417; A61B 5/1411
See application file for complete search history.

(56) **References Cited**

U.S. PATENT DOCUMENTS

RE36,795 E	7/2000	Rydell
6,228,083 B1	5/2001	Lands et al.
6,325,811 B1	12/2001	Messerly
6,976,992 B2	12/2005	Sachatello et al.
7,204,835 B2	4/2007	Latterell et al.
7,578,832 B2	8/2009	Johnson et al.
D634,427 S	3/2011	Nishimura

D639,944 S	6/2011	Schneider	
D648,434 S	11/2011	Uyama	
D662,589 S *	6/2012	Jindra	D24/146
D691,264 S *	10/2013	Dallemagne	D24/144
D691,265 S *	10/2013	O'Leary	D24/146
D695,404 S *	12/2013	Horning	D24/146
D731,649 S *	6/2015	Lualdi	D24/146
D745,675 S *	12/2015	Jankowski	D24/146
2007/0244515 A1	10/2007	Fanous	
2009/0209991 A1	8/2009	Hinchliffe et al.	

(Continued)

OTHER PUBLICATIONS

Storz 33310MD Clickline maryland forceps insert 0/R Instruments.
1 page. [On line]. Retrieved on Jun. 13, 2011 <URL: <http://www.google.com>>.

(Continued)

Primary Examiner — Garth Rademaker

Assistant Examiner — Samantha Q Lawrence

(74) *Attorney, Agent, or Firm* — Whitmyer IP Group LLC

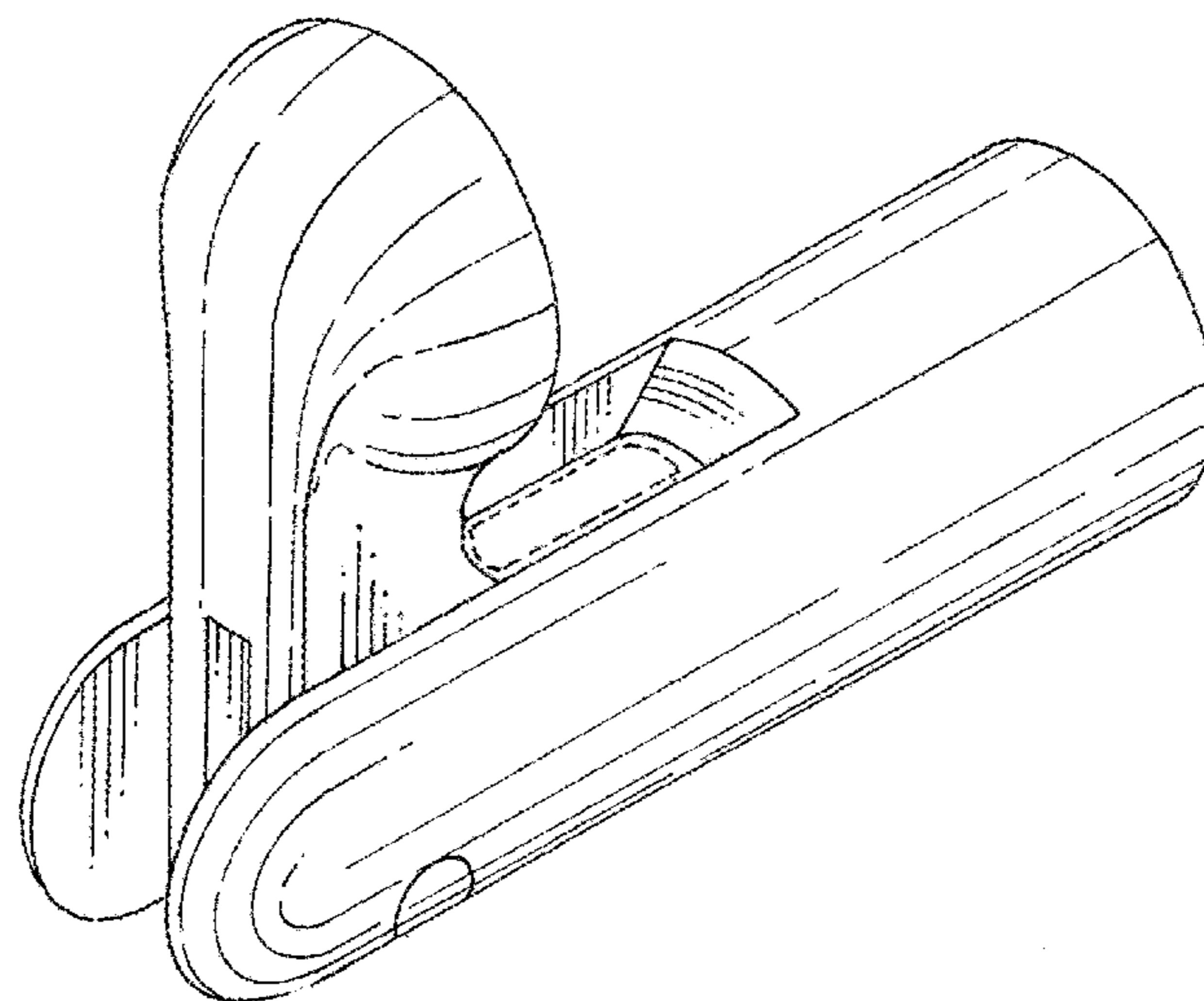
(57) **CLAIM**

The ornamental design for a shaft instrument for shaving tissue, as shown and described.

DESCRIPTION

FIG. 1 is a front, left side isometric view of a shaft instrument for shaving tissue in accordance with the new design;
FIG. 2 is a right side elevational view thereof;
FIG. 3 is a left side elevational view thereof;
FIG. 4 is a top plan view thereof;
FIG. 5 is a bottom plan view thereof;
FIG. 6 is a front side elevational view thereof; and,
FIG. 7 is a rear side elevational view thereof.
The broken lines shown in FIG. 1 and FIGS. 4-7 illustrate portions of the shaft instrument for shaving tissue that form no part of the claimed design.

1 Claim, 3 Drawing Sheets



(56)

References Cited

U.S. PATENT DOCUMENTS

2010/0076433 A1 3/2010 Taylor et al.
2010/0087818 A1 4/2010 Cunningham
2011/0029010 A1 2/2011 Castro et al.

OTHER PUBLICATIONS

Karl Storz 22310AG Forceps Insert Mangeshikar 5MMX30CM. 2 pages. [On line]. Retrieved on Jun. 13, 2011. <URL: <http://www.google.com>>.

Karl Storz GmbH & Co. KG, Tuttlingen; "Karl Storz RoBi Rotating Bipolar Forceps and Scissors Named Innovation of the Year by Laparoendoscopy Society"; <http://www.karlstorz.de>; Oct. 14, 2005; 6 pages.

* cited by examiner

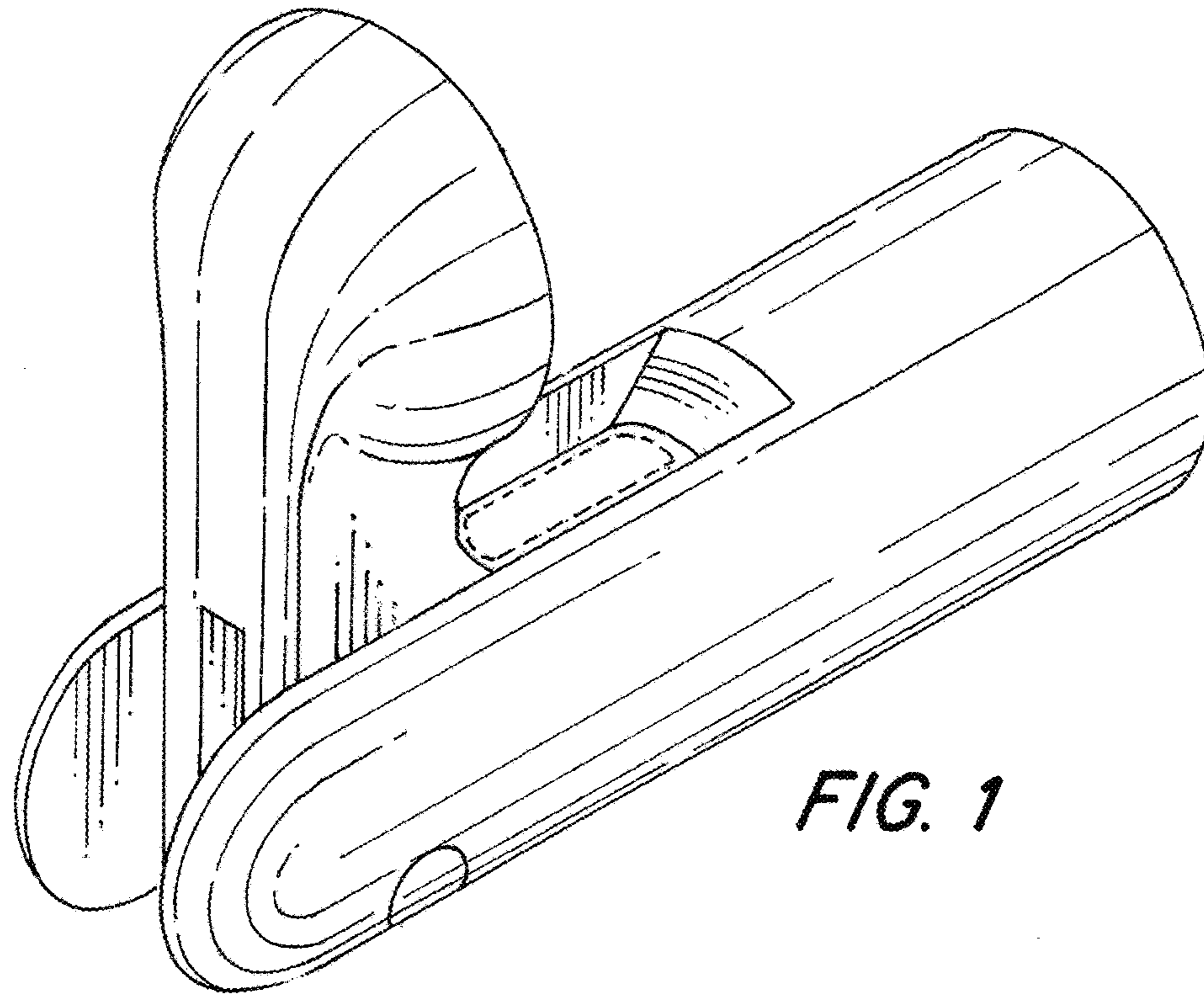


FIG. 1

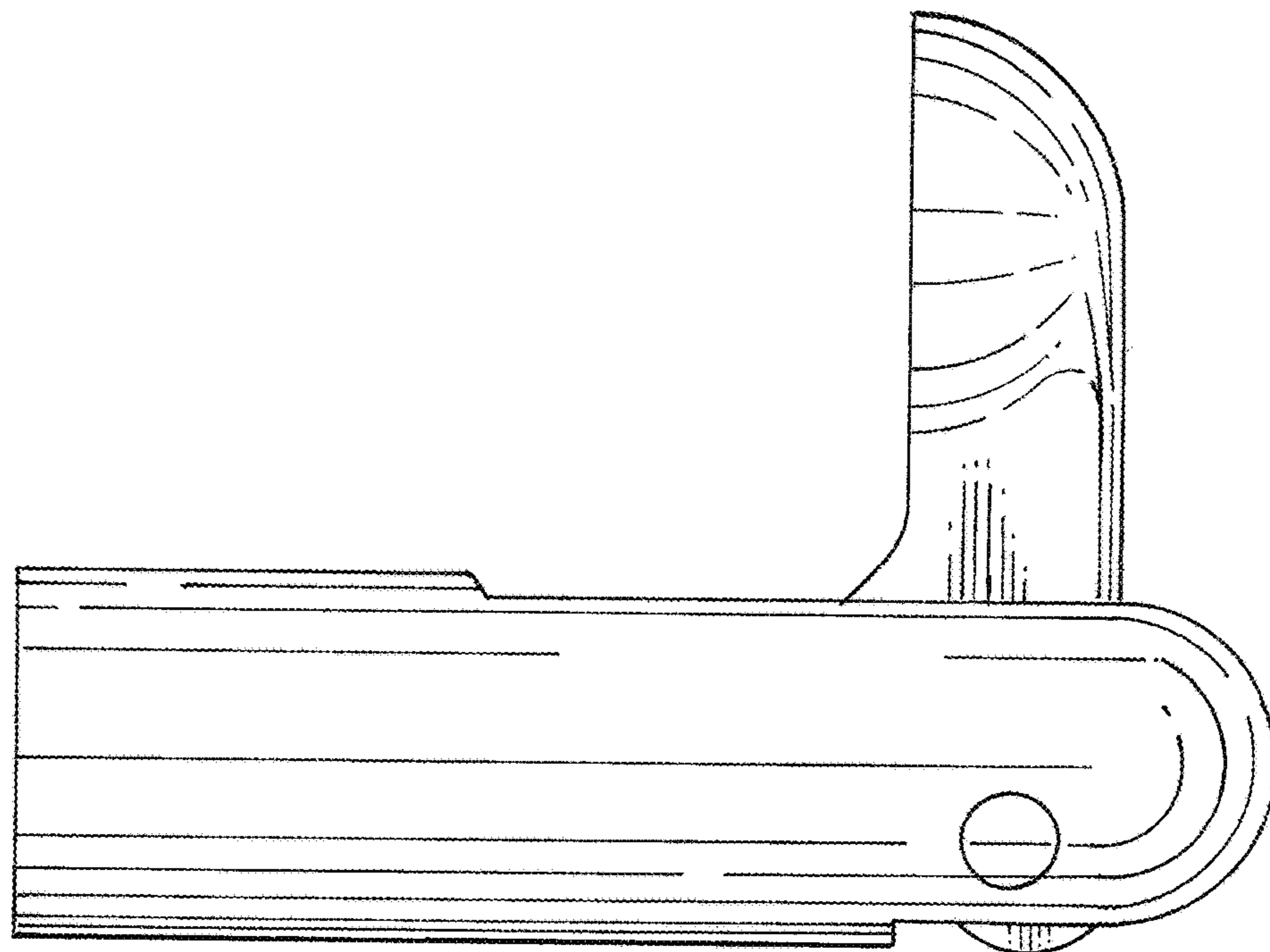


FIG. 2

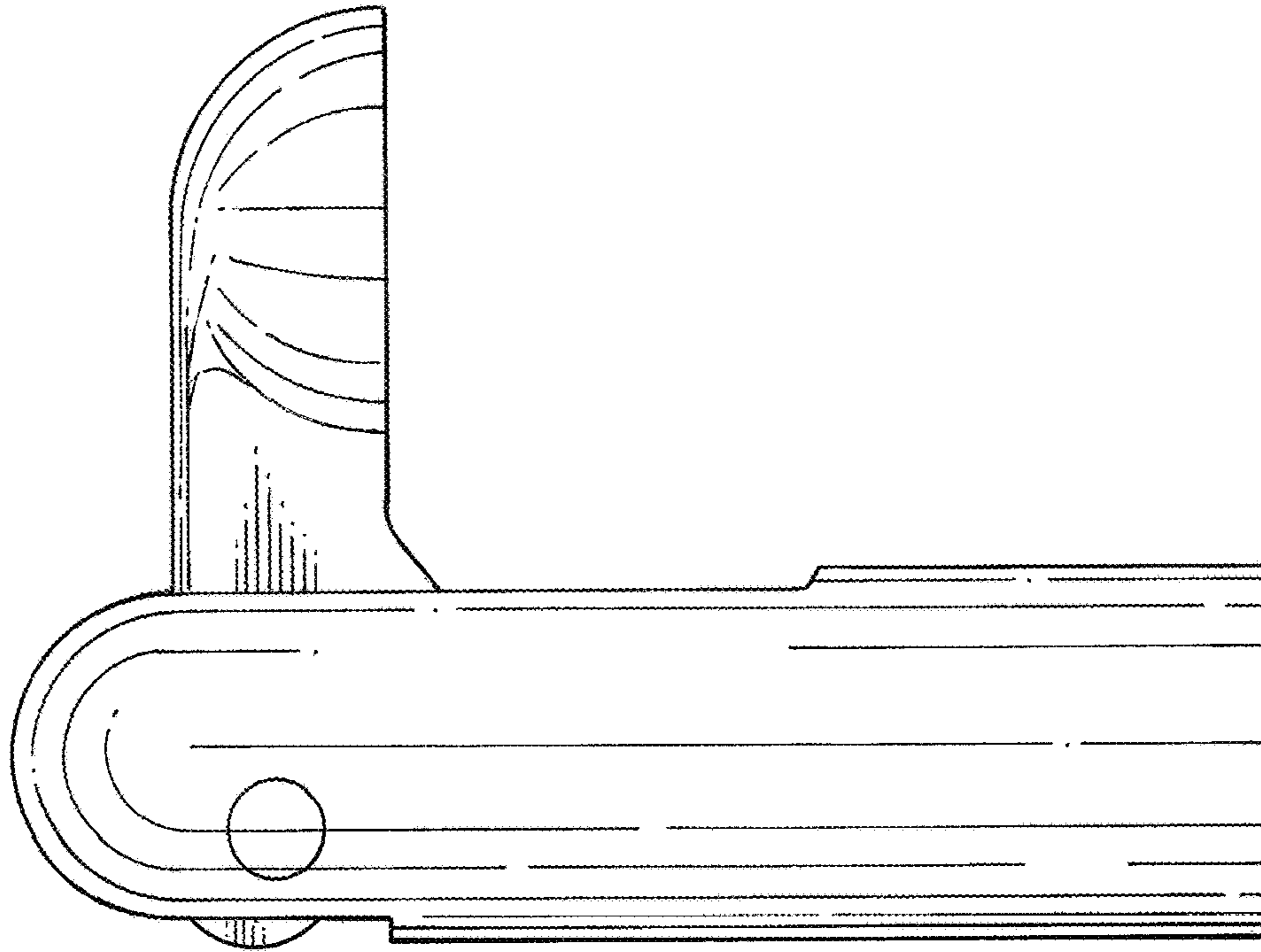


FIG. 3

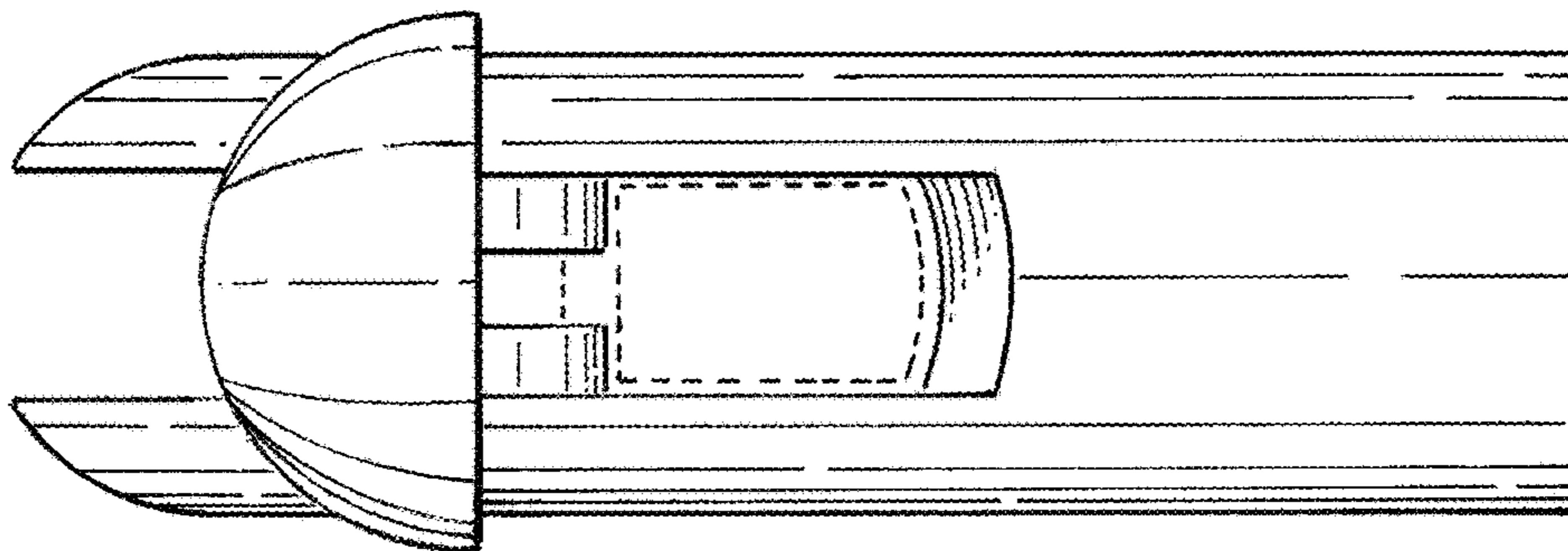


FIG. 4

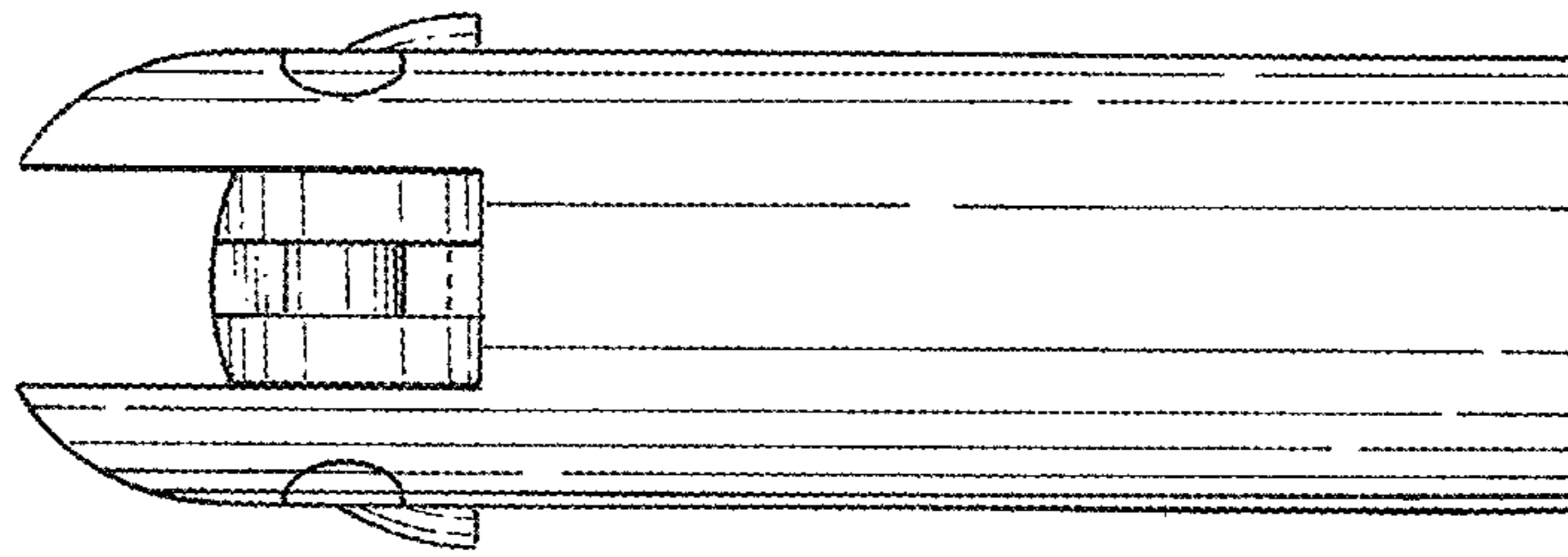


FIG. 5

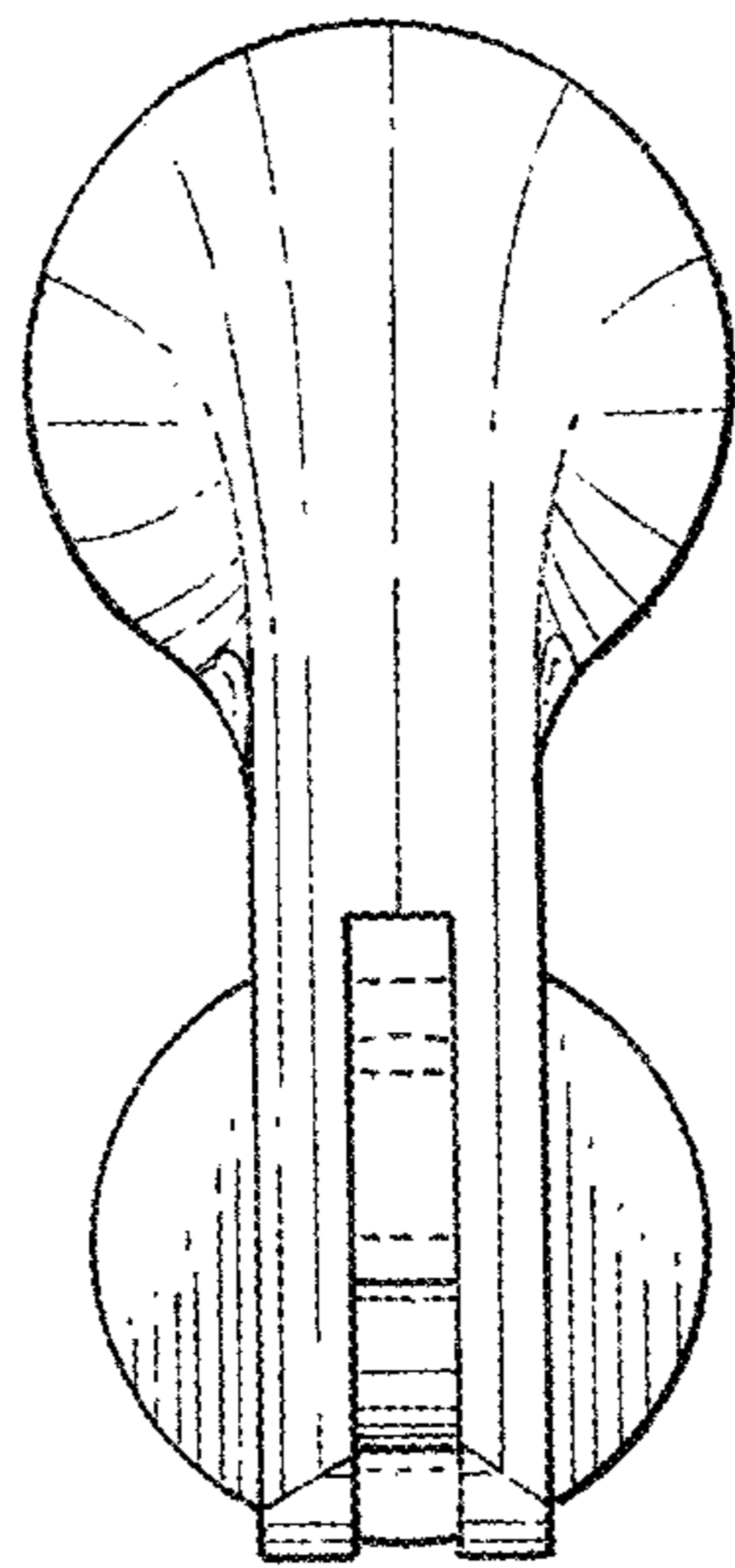


FIG. 6

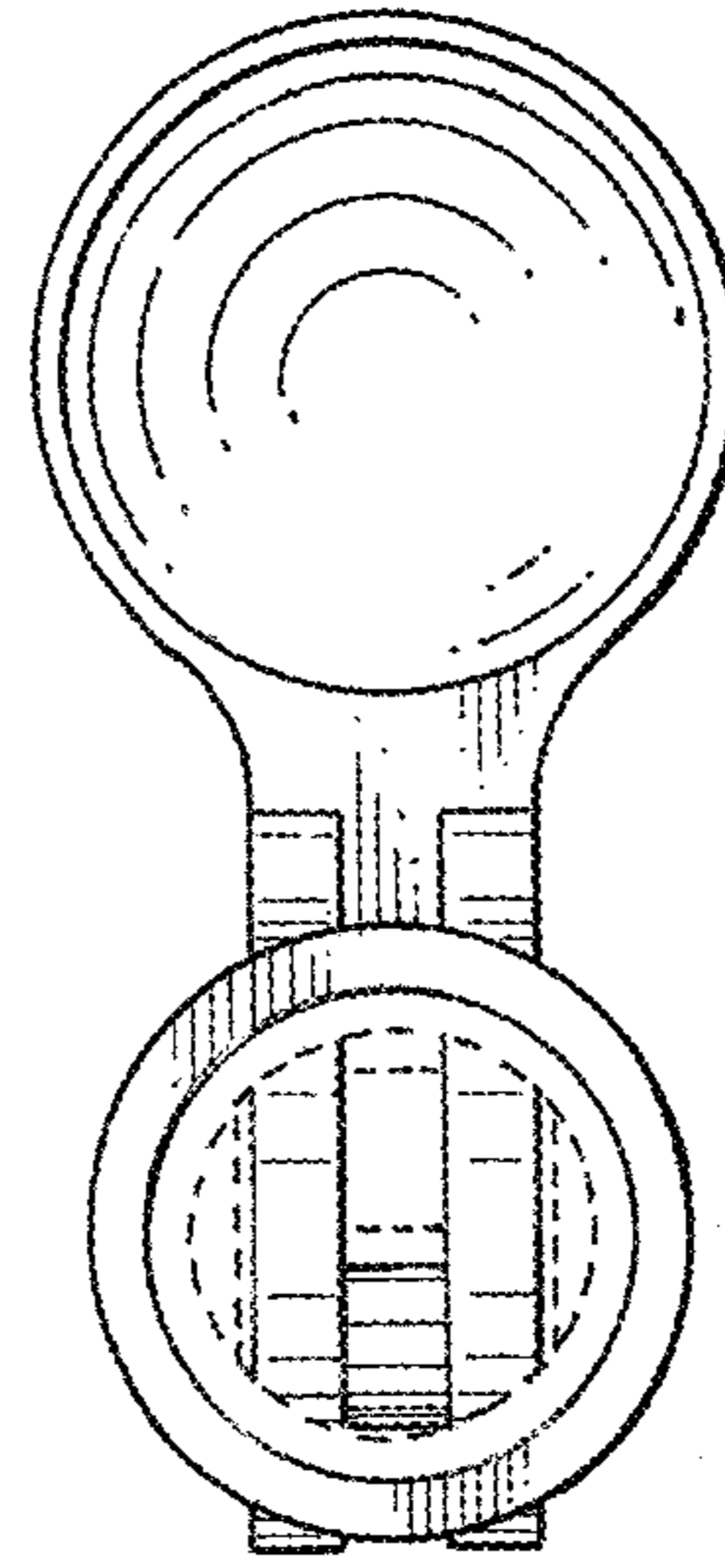


FIG. 7