



US00D791320S

(12) **United States Design Patent**
Sgard

(10) **Patent No.:** **US D791,320 S**
(45) **Date of Patent:** **** Jul. 4, 2017**

- (54) **CLIP FOR SURGICAL PURPOSES**
- (71) Applicant: **Jean-Noël Sgard**, La Norville (FR)
- (72) Inventor: **Jean-Noël Sgard**, La Norville (FR)
- (**) Term: **15 Years**
- (21) Appl. No.: **29/559,614**
- (22) Filed: **Mar. 30, 2016**
- (51) **LOC (10) Cl.** **24-02**
- (52) **U.S. Cl.**
USPC **D24/143**
- (58) **Field of Classification Search**
USPC D24/146, 147-148, 133, 145; D28/55
CPC A61B 17/29; A61B 17/30; A61B 17/50;
A61B 18/085; B25B 9/02; A45D
26/0076; G04D 1/02
See application file for complete search history.

- 4,844,065 A * 7/1989 Faulkner A61B 17/30
606/107
- 5,312,420 A * 5/1994 Toso A61B 17/076
606/138
- 5,997,567 A * 12/1999 Cangelosi A61B 17/30
294/99.2
- D775,727 S * 1/2017 Khaw D24/143
- 2010/0092918 A1* 4/2010 Muller A61B 17/30
433/159

* cited by examiner

Primary Examiner — Wan Laymon

(74) *Attorney, Agent, or Firm* — Fredrickson & Byron, P.A.

(57) **CLAIM**

The ornamental design for a clip for surgical purposes, as shown and described.

DESCRIPTION

FIG. 1 is a front perspective view of my new design for a clip for surgical purposes; and
FIG. 2 is a front elevational view thereof
FIG. 3 is a top plan view thereof;
FIG. 4 is a rear elevation view thereof;
FIG. 5 is a bottom plan view thereof;
FIG. 6 is a left side elevational view thereof; and,
FIG. 7 is a right side elevational view thereof.

1 Claim, 2 Drawing Sheets

(56) **References Cited**
U.S. PATENT DOCUMENTS

- D60,455 S * 2/1922 Kahnweiler D28/55
- 1,545,693 A * 7/1925 Phoel B25B 9/02
269/254 R
- 2,595,683 A * 5/1952 Lo Monte B25B 9/02
294/99.2

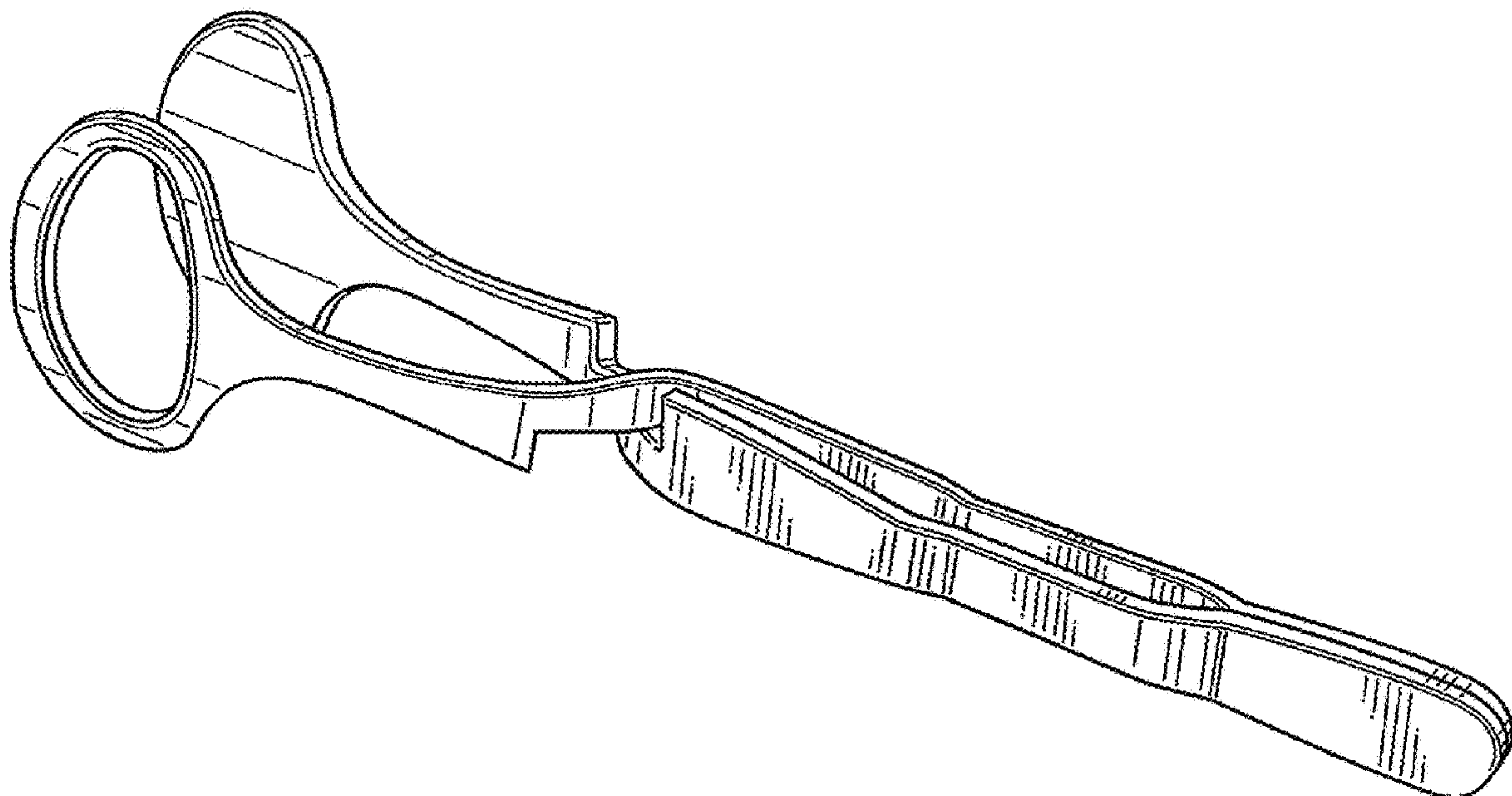


Fig. 1

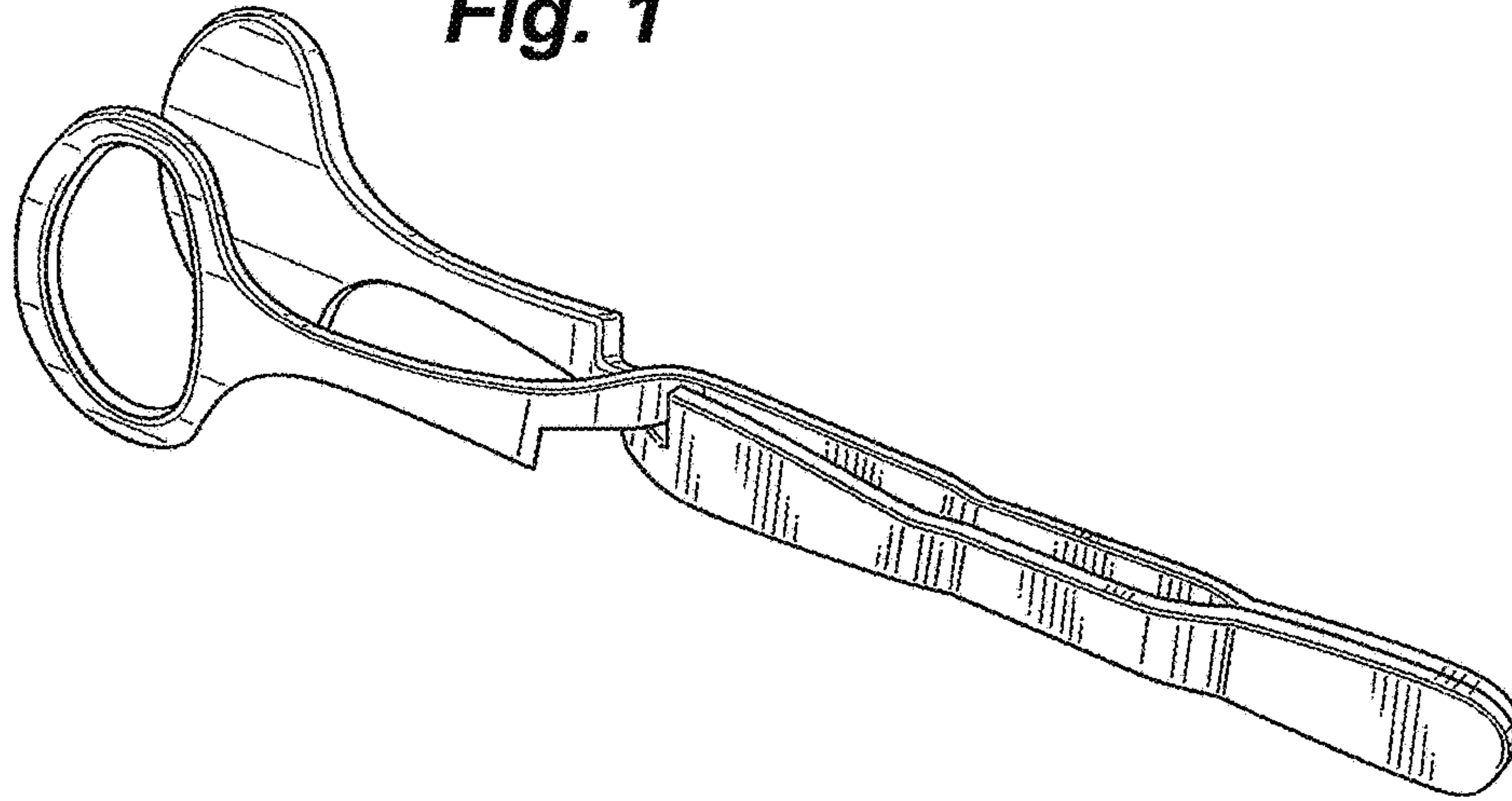


Fig. 2

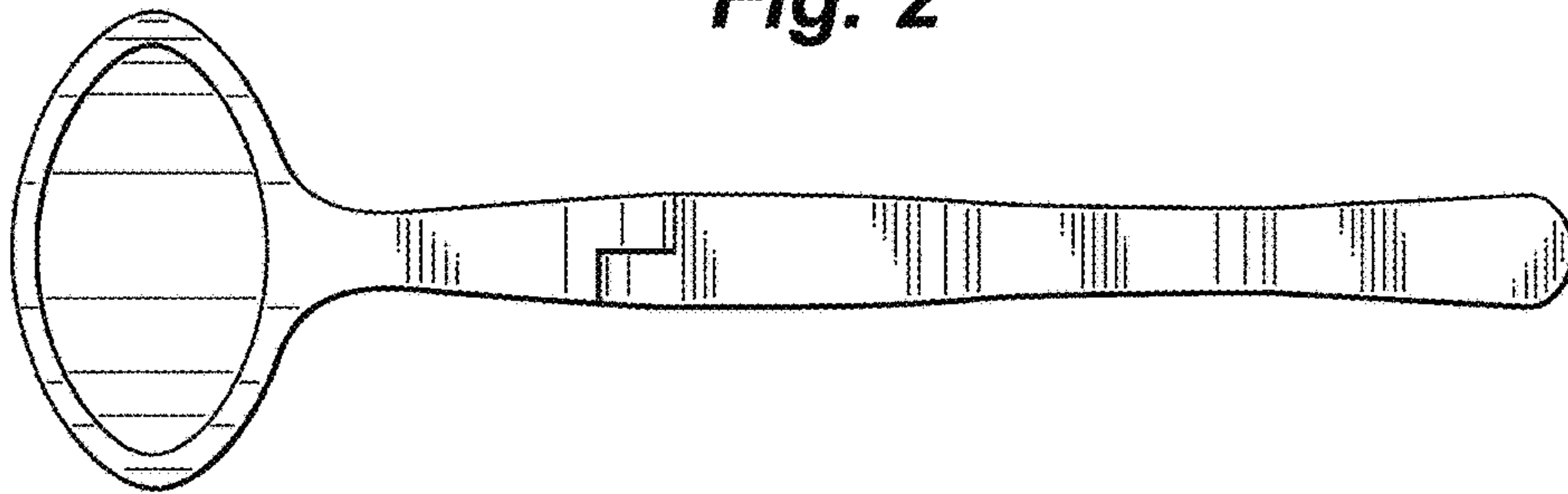


Fig. 3

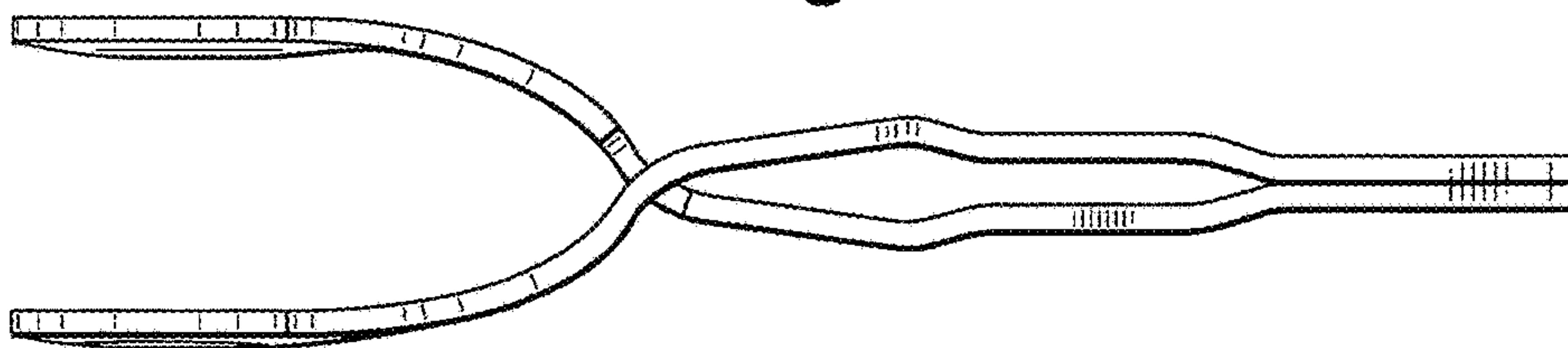


Fig. 4

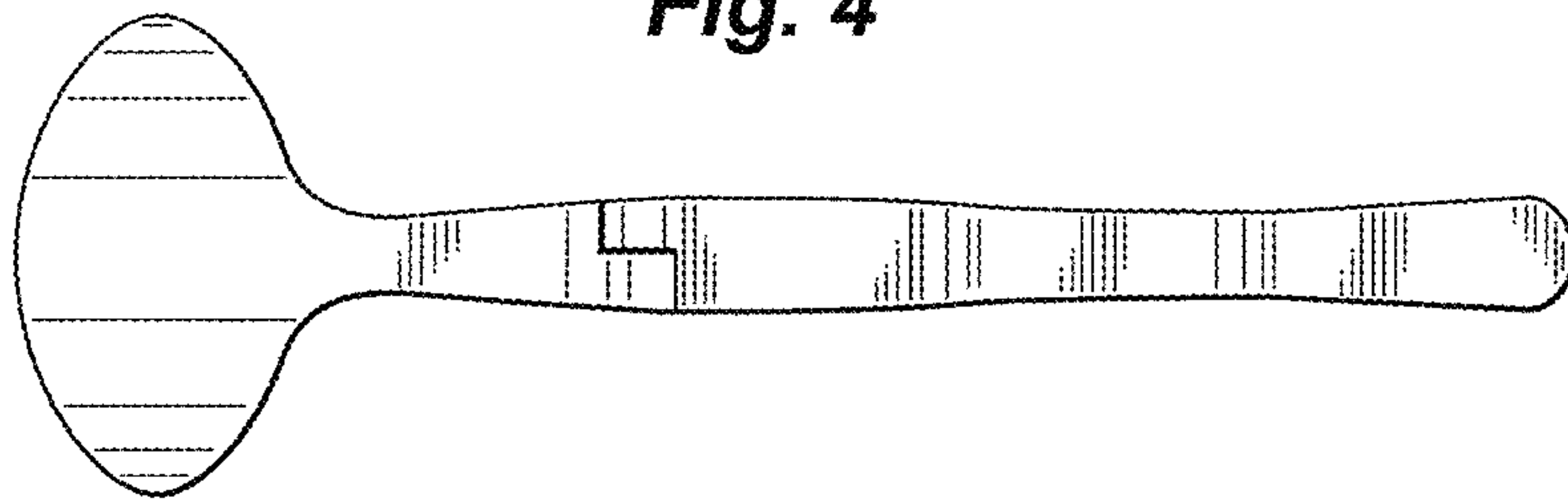


Fig. 5

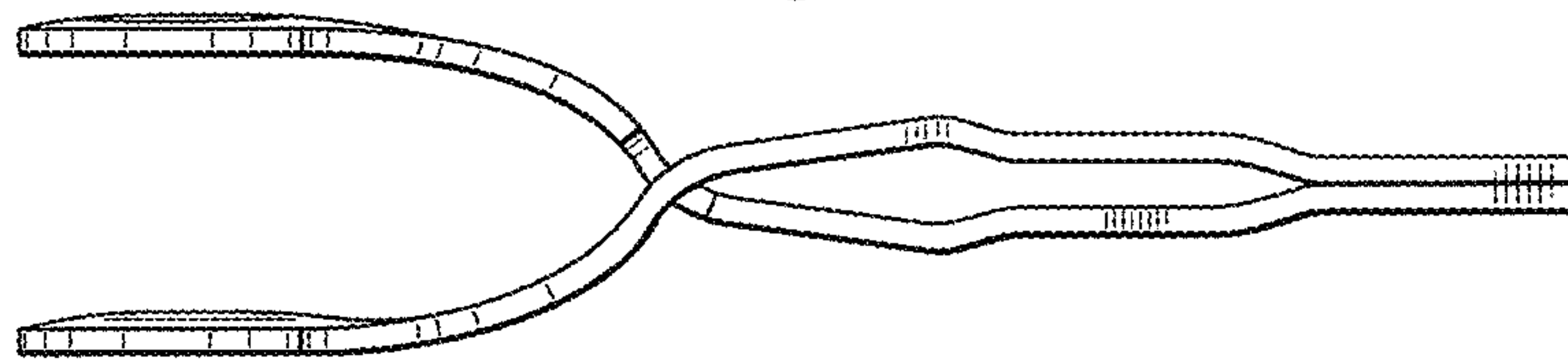


Fig. 6

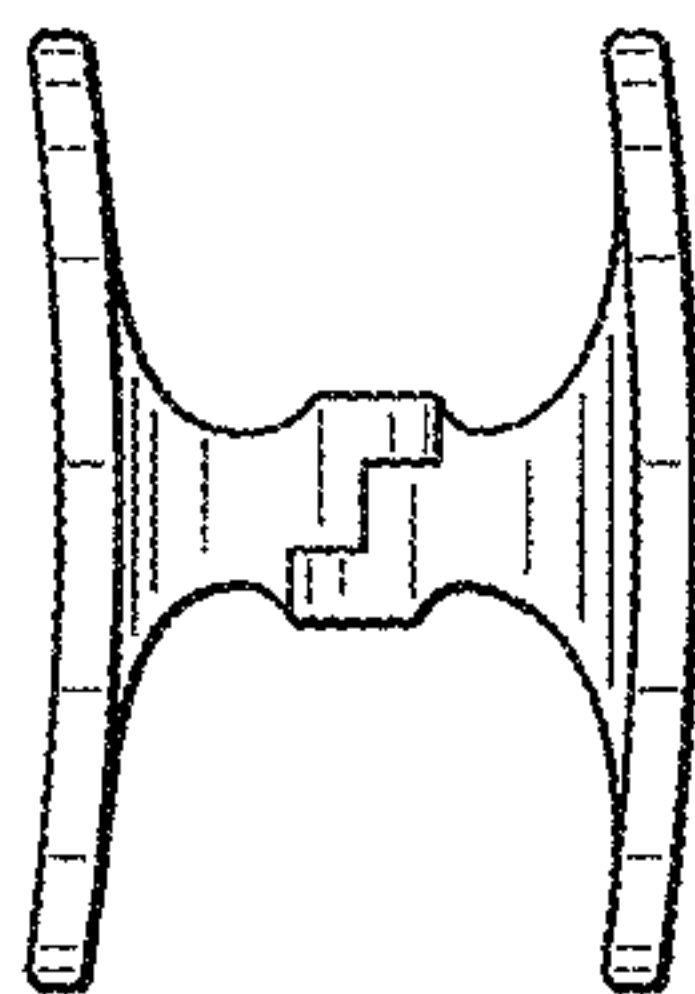


Fig. 7

