



US00D791318S

(12) **United States Design Patent** (10) **Patent No.:** **US D791,318 S**
Jutila et al. (45) **Date of Patent:** **** Jul. 4, 2017**

(54) **INSERTER**

(71) Applicant: **Bayer Oy**, Turku (FI)

(72) Inventors: **Ilkka Jutila**, Littoinen (FI); **Heikki Lyytikäinen**, Naantali (FI); **Ulla Calvo Alonso**, Piispanristi (FI); **Taina Tjäder**, Littoinen (FI); **Marjo Ali-Äijälä**, Preitilä (FI)

(73) Assignee: **Bayer Oy**, Turku (FI)

(**) Term: **15 Years**

(21) Appl. No.: **29/558,312**

(22) Filed: **Mar. 16, 2016**

Related U.S. Application Data

(63) Continuation-in-part of application No. 13/119,397, filed as application No. PCT/FI2009/050735 on Sep. 14, 2009.

(51) **LOC (10) Cl.** **24-02**

(52) **U.S. Cl.**
USPC **D24/141**

(58) **Field of Classification Search**
USPC D24/141, 133, 147, 113-114, 108
CPC A61F 6/06; A61F 6/12; A61F 6/142; A61F 6/144; A61F 6/18
See application file for complete search history.

(56) **References Cited**

U.S. PATENT DOCUMENTS

3,783,861	A	1/1974	Abramson	
3,794,025	A *	2/1974	Lerner	A61F 6/148 D24/141
4,721,105	A	1/1988	Wildemeersch	
5,785,053	A	7/1998	Macandrew	

6,588,429	B1	7/2003	Wildemeersch	
8,573,222	B2 *	11/2013	Weintraub	A61F 6/144 128/833
9,452,082	B2 *	9/2016	Lyytikäinen	A61F 6/18
2011/0162656	A1 *	7/2011	Jutila	A61F 6/142 128/830
2013/0255695	A1 *	10/2013	Jutila	A61F 6/18 128/840
2016/0217707	A1 *	7/2016	Jutila	A61F 6/18

FOREIGN PATENT DOCUMENTS

CN	201042478	4/2008
DE	29819558	2/1999
EP	0798999	10/1997
SU	1377063	2/1988
WO	96/18365	6/1996

OTHER PUBLICATIONS

USPTO, Non-final Office Action for U.S. Appl. No. 15/245,042, Oct. 11, 2016, 6 pages.

(Continued)

Primary Examiner — Wan Laymon

(74) *Attorney, Agent, or Firm* — Aseem Mehta

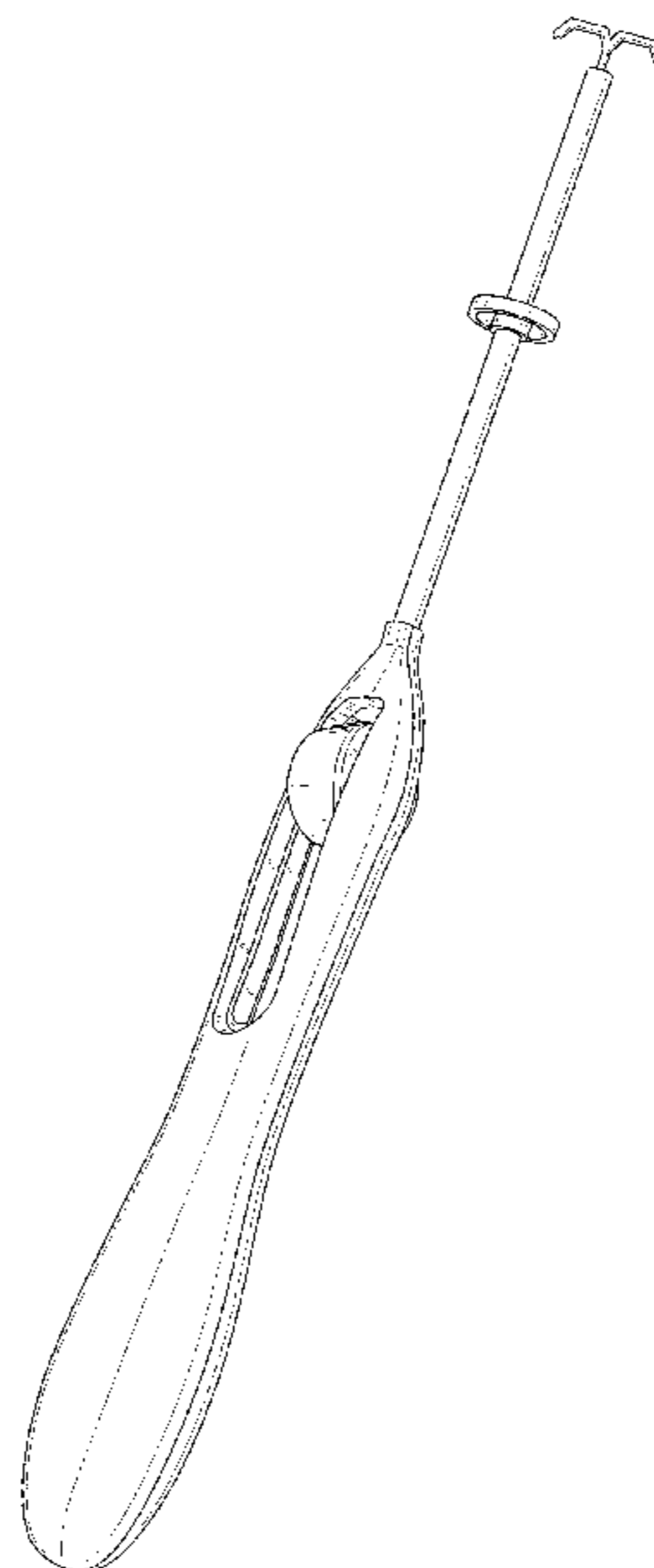
(57) **CLAIM**

The ornamental design for an inserter, as shown and described.

DESCRIPTION

FIG. 1 is a perspective view of an inserter.
FIG. 2 is a front view of the inserter, the back view being the same as the front view.
FIG. 3 is a left side view of the inserter, the right side view being the same as the left side view.
FIG. 4 is a top view of the inserter; and,
FIG. 5 is a bottom view of the inserter.

1 Claim, 3 Drawing Sheets



(56)

References Cited

OTHER PUBLICATIONS

Johnson, "Insertion and Removal of Intrauterine Devices," American Family Physician, vol. 71, No. 1, Jan. 1, 2005, pp. 95-102.
USPTO, Non-Final Office Action for U.S. Appl. No. 13/857,134, Jul. 7, 2014, 19 pages.
USPTO, Non-Final Office Action for U.S. Appl. No. 14/590,969, Jan. 29, 2016, 20 pages.
USPTO, Non-Final Office Action for U.S. Appl. No. 13/119,399, Oct. 4, 2012, 22 pages.
USPTO, Final Office Action for U.S. Appl. No. 14/590,969, Jul. 20, 2016, 14 pages.
USPTO, Notice of Allowance for Design U.S. Appl. No. 15/245,042, Feb. 10, 2017, 21 pages.
USPTO, Notice of Allowance for U.S. Appl. No. 13/119,397, Apr. 5, 2017, 12 pages.

* cited by examiner

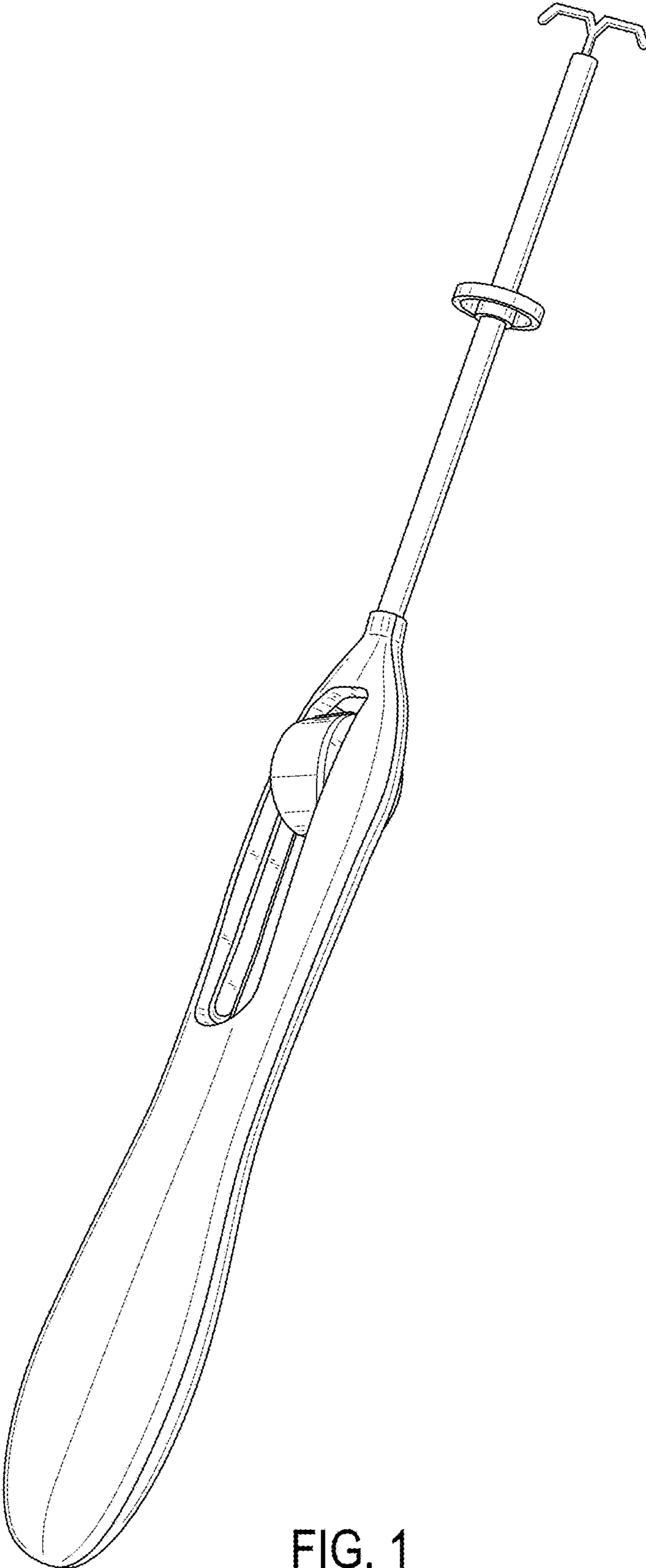


FIG. 1

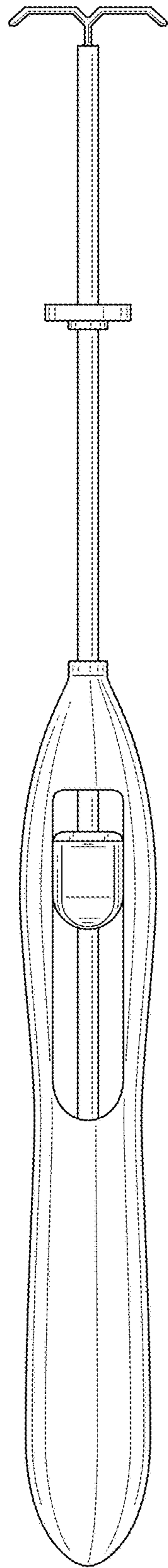


FIG. 2

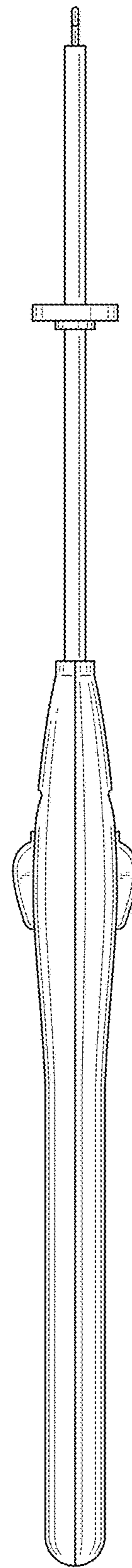


FIG. 3

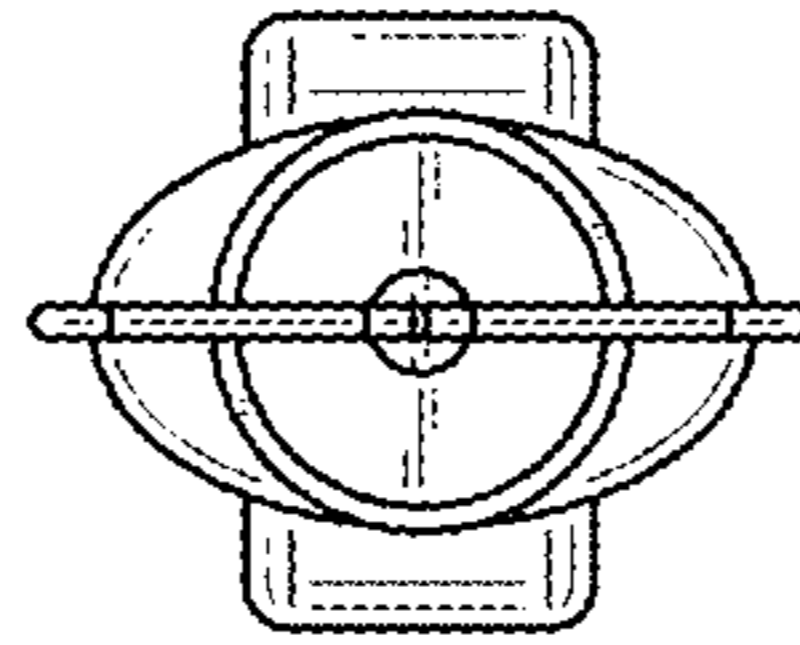


FIG. 4

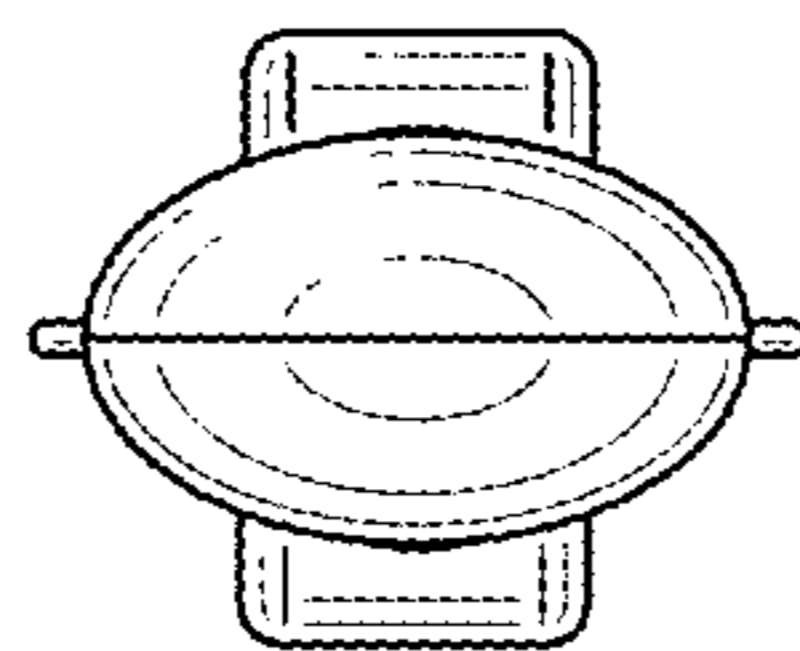


FIG. 5