



US00D791317S

(12) **United States Design Patent** (10) **Patent No.:** **US D791,317 S**
Bresco Torras et al. (45) **Date of Patent:** **** Jul. 4, 2017**

(54) **SHEATH AND ENDOSCOPE WITH OBLIQUE TIPS**

(71) Applicant: **COVIDIEN LP**, Mansfield, MA (US)

(72) Inventors: **Pere Bresco Torras**, Barcelona (ES);
Maria Degollada Bastos, Barcelona (ES); **Juan Carles Mateu Prununosa**, Barcelona (ES); **Angel Guerra Garcia**, Barcelona (ES); **Mireille Akilian**, Somerville, MA (US); **Allen An**, Winchester, MA (US); **Nikolai Begg**, Wayland, MA (US)

(73) Assignee: **COVIDIEN LP**, Mansfield, MA (US)

(*) Notice: This patent is subject to a terminal disclaimer.

(**) Term: **15 Years**

(21) Appl. No.: **29/534,851**

(22) Filed: **Jul. 31, 2015**

(51) **LOC (10) Cl.** **24-02**

(52) **U.S. Cl.**
USPC **D24/138**

(58) **Field of Classification Search**
USPC D24/108, 117, 118, 133, 135, 137-138, D24/141, 222; 600/131, 132, 145-147
CPC . A61B 18/1445; A61B 18/1402; A61B 18/14; A61B 2018/147; A61B 1/2676; A61B 1/00; A61B 1/00052; A61B 1/00066; A61C 1/14
See application file for complete search history.

(56) **References Cited**

U.S. PATENT DOCUMENTS

6,193,666 B1 2/2001 Markowski et al.
D583,470 S * 12/2008 Kupferschmid D24/138
D583,471 S * 12/2008 Kupferschmid D24/138

D666,719 S * 9/2012 Becker D24/138
D670,385 S * 11/2012 Becker D24/138
D743,028 S * 11/2015 Teufel D24/138
D743,029 S * 11/2015 Mesle D24/138
D753,822 S * 4/2016 Teufel D24/138
D757,263 S * 5/2016 Hofer D24/138
D757,264 S * 5/2016 Eisenlauer D24/138
D757,265 S * 5/2016 Eisenlauer D24/138

(Continued)

FOREIGN PATENT DOCUMENTS

DE 1261275 2/1968
EP 2436300 4/2012
JP 2013188375 9/2013

Primary Examiner — Manpreet Matharu
Assistant Examiner — Yolanda Robinson

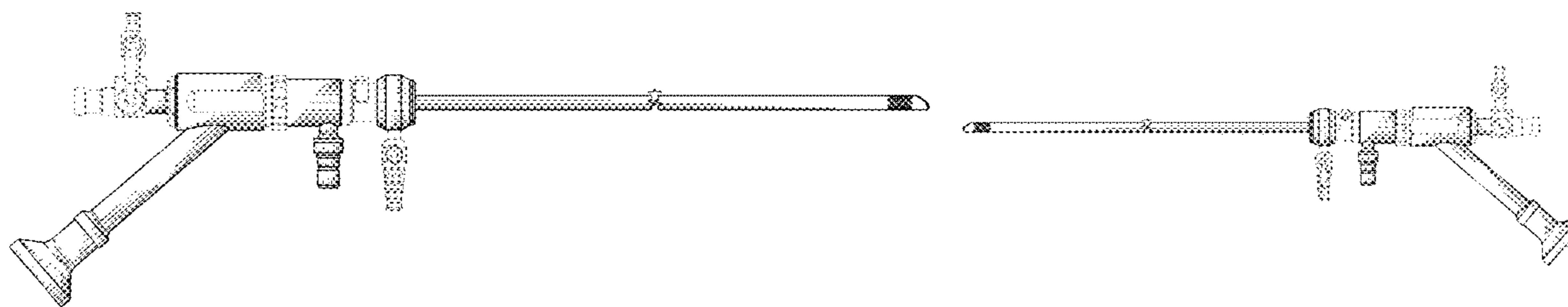
(57) **CLAIM**

The ornamental design for a sheath and endoscope with oblique tips, as shown and described.

DESCRIPTION

FIG. 1 is a perspective view of a sheath and endoscope with oblique tips showing our new design; FIG. 2 is a partial enlarged view of the claim corresponding to the section shown in FIG. 1. FIG. 3 is a front view of the endoscope thereof; FIG. 4 is a back view of the endoscope thereof; FIG. 5 is a right side view thereof; FIG. 6 is a left side view thereof; FIG. 7 is a top plan view thereof; and, FIG. 8 is a bottom plan view thereof. The dashed broken lines in the drawing depict environmental subject matter only and form no part of the claimed design. The dash-dot-dash lines represent the border for the enlarged partial view and form no part of the claimed design. The sheath and endoscope with oblique tips is shown with a symbolic break in its length. The appearance of any portion of the article between the break lines forms no part of the claimed design.

1 Claim, 4 Drawing Sheets



(56)

References Cited

U.S. PATENT DOCUMENTS

2003/0032860 A1 2/2003 Markowski et al.
2003/0125607 A1* 7/2003 Boebel A61B 1/00105
600/136
2005/0085692 A1 4/2005 Kiehn et al.
2006/0111612 A1 5/2006 Matsumoto
2007/0118014 A1 5/2007 Fuert et al.
2007/0135682 A1 6/2007 Moriyama et al.
2008/0214895 A1 9/2008 Campos
2014/0221999 A1* 8/2014 Cunningham A61B 18/1442
606/52
2015/0087907 A1* 3/2015 Konstorum A61B 1/015
600/121
2016/0235286 A1* 8/2016 Chiang A61B 1/015
2016/0249784 A1* 9/2016 Bresco Torras A61B 1/12
2016/0317219 A1* 11/2016 Germain A61B 18/1485

* cited by examiner

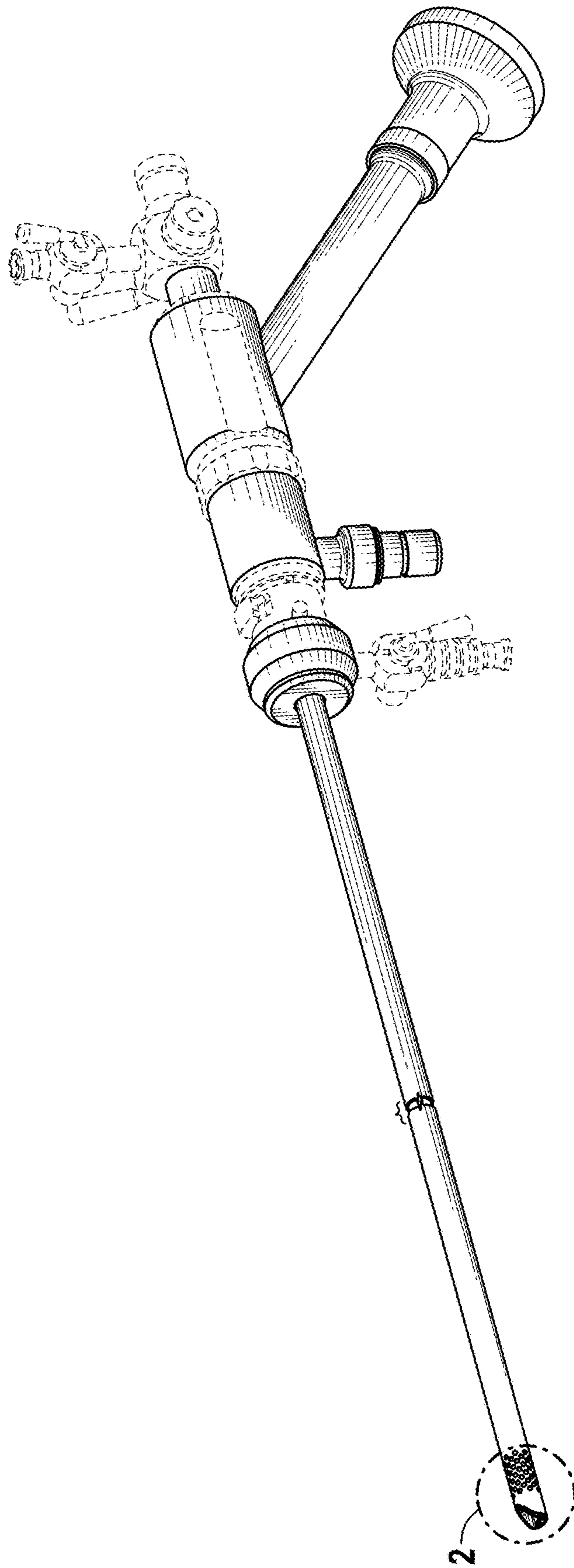


FIG. 1

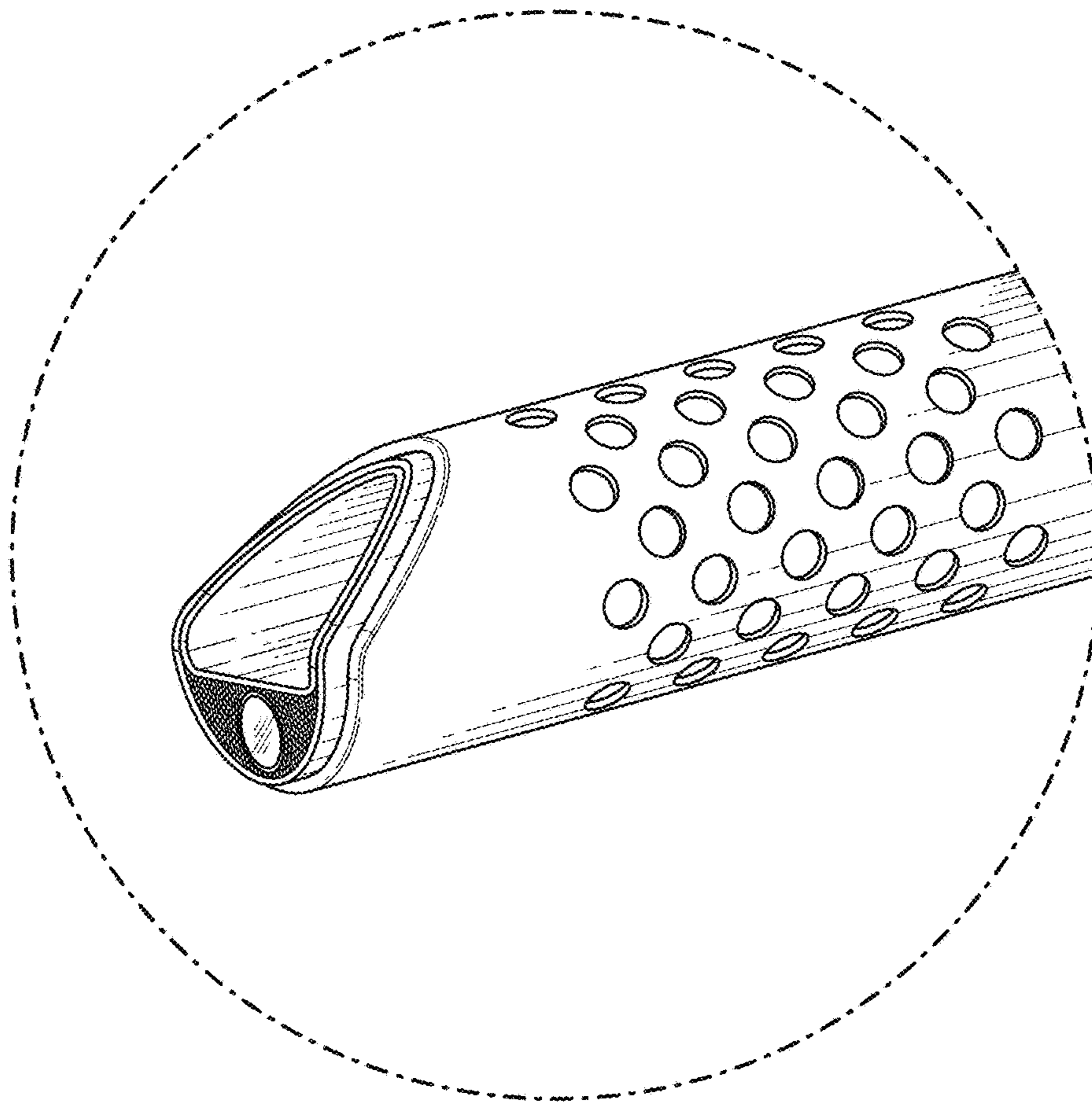


FIG. 2

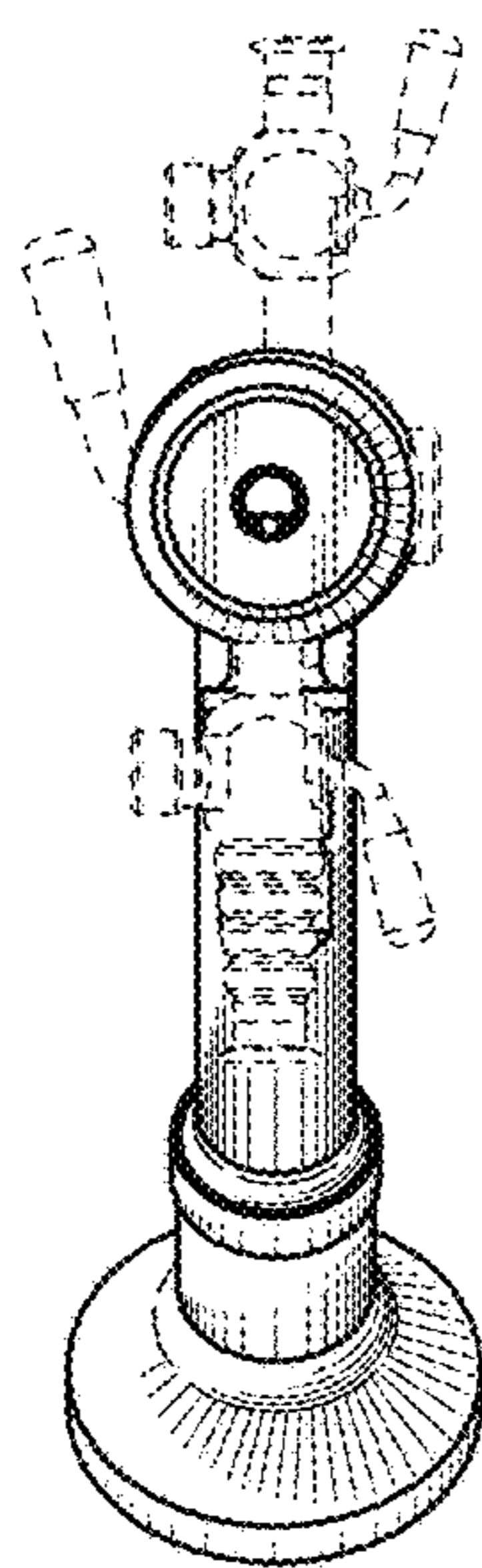


FIG. 3

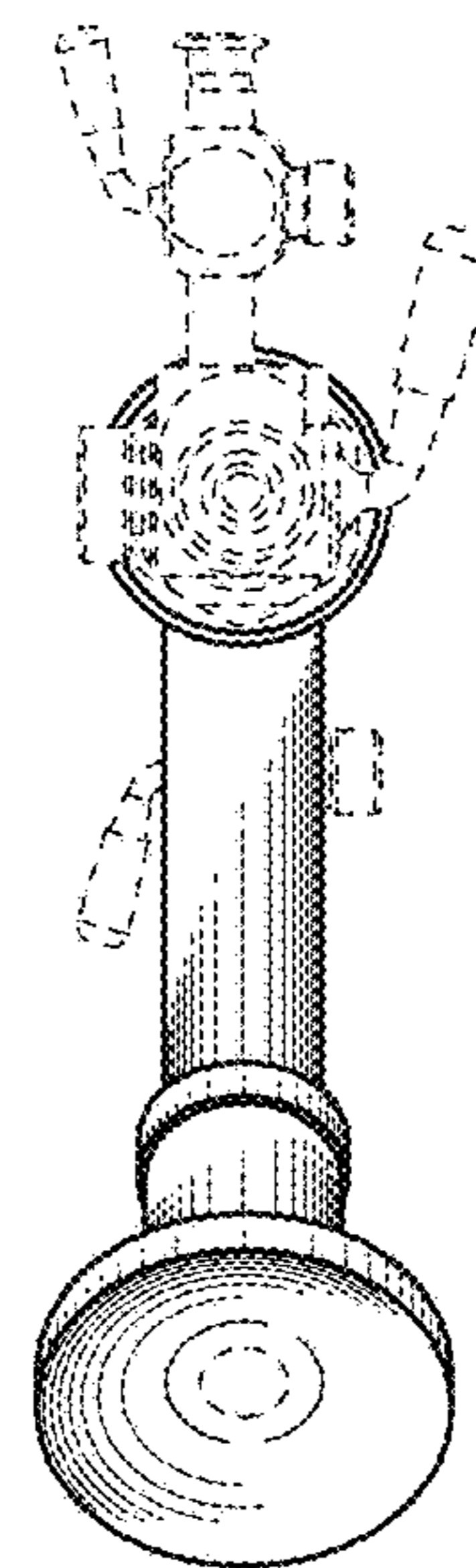


FIG. 4

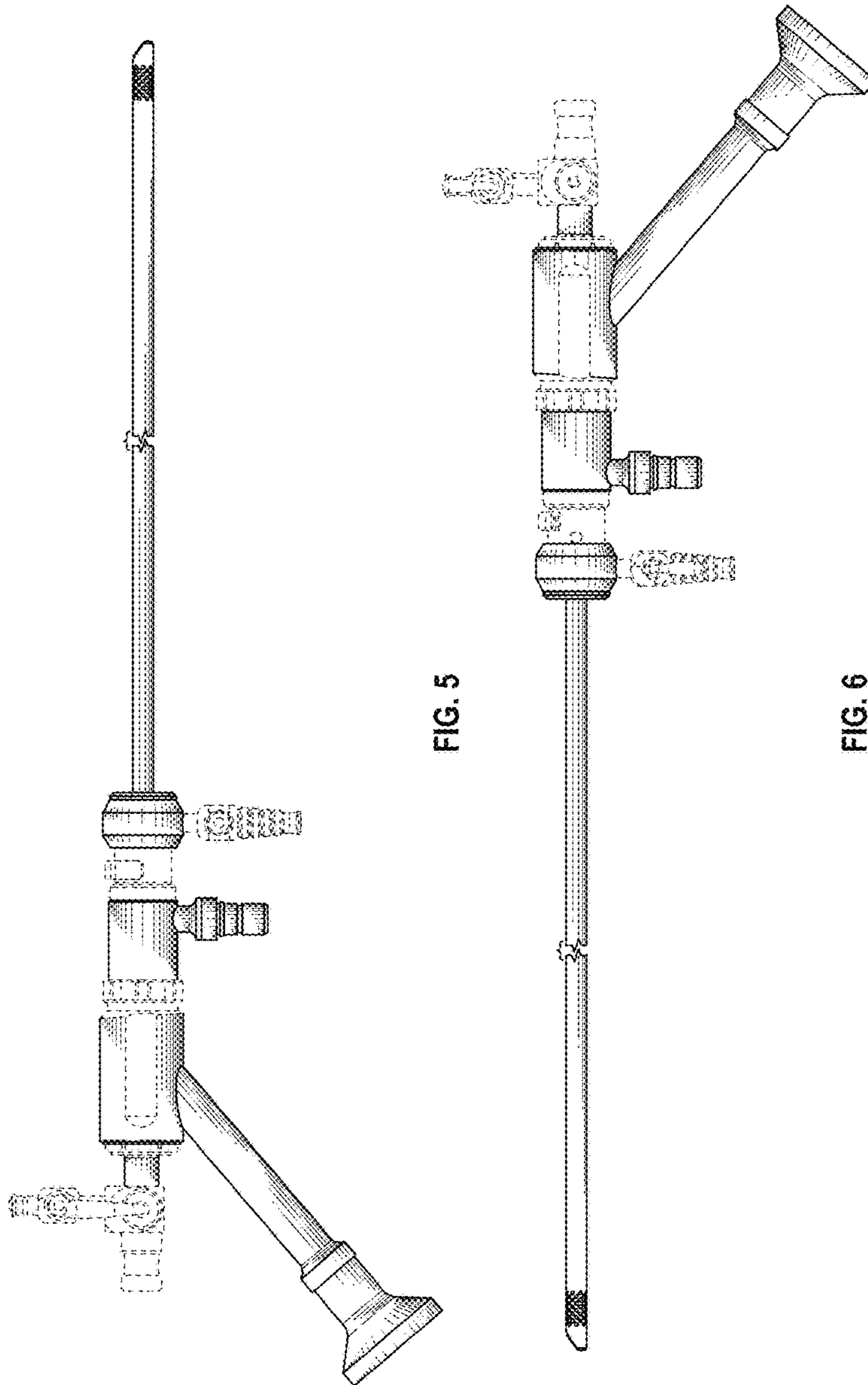


FIG. 5

FIG. 6

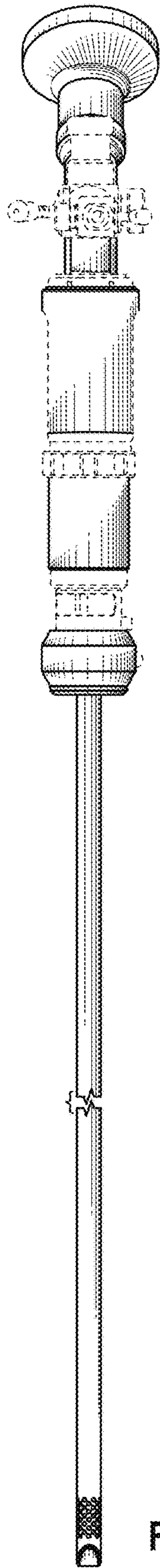


FIG. 7

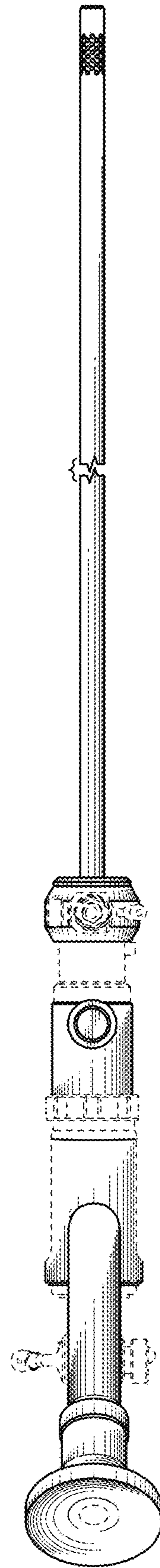


FIG. 8