



US00D791316S

(12) **United States Design Patent**  
**Chang**

(10) **Patent No.:** **US D791,316 S**  
(45) **Date of Patent:** **\*\* Jul. 4, 2017**

(54) **HANDLE FOR ENDOSCOPIC SURGICAL CLIP APPLIER**

(71) Applicant: **Getac Technology Corporation,**  
Hsinchu County (TW)

(72) Inventor: **Chia-Wei Chang,** Taipei (TW)

(73) Assignee: **GETAC TECHNOLOGY CORPORATION,** Hsinchu County (TW)

(\*\*) Term: **14 Years**

(21) Appl. No.: **29/526,438**

(22) Filed: **May 8, 2015**

(51) **LOC (10) Cl.** ..... **24-02**

(52) **U.S. Cl.**  
USPC ..... **D24/138**

(58) **Field of Classification Search**  
USPC ..... D24/108, 111, 112, 113, 117, 118, 127,  
D24/130, 133, 135, 137, 138, 141, 143,  
D24/144, 148, 152, 153, 154, 170, 176,  
D24/179, 216, 222

CPC . A61B 17/29; A61B 17/2909; A61B 17/3201;  
A61B 17/122; A61B 17/28; A61B  
17/2812; A61B 17/2833; A61B 17/295;  
A61B 18/1482; A61B 2017/00424; A61B  
17/0469; A61B 2018/00601; A61B  
18/085; A61B 1/3132; A61M 25/0136;  
B25B 7/00

See application file for complete search history.

(56) **References Cited**

**U.S. PATENT DOCUMENTS**

D370,064 S \* 5/1996 Livneh ..... D24/143  
D624,646 S \* 9/2010 Peschke ..... D24/133  
D630,322 S \* 1/2011 Speiser ..... D24/133  
D631,961 S \* 2/2011 Held ..... D24/133

D632,786 S \* 2/2011 Risoli ..... D24/133  
D633,613 S \* 3/2011 Risoli ..... D24/133  
D644,734 S \* 9/2011 Sullivan ..... D24/133  
D661,800 S \* 6/2012 Besse ..... D24/133  
D663,835 S \* 7/2012 Besse ..... D24/133  
D666,291 S \* 8/2012 Baehr ..... D24/133  
D670,380 S \* 11/2012 Sapalev ..... D24/133  
D692,560 S \* 10/2013 Kaercher ..... D24/133

(Continued)

*Primary Examiner* — Robert M Spear

*Assistant Examiner* — Eliza Bennett-Hattan

(74) *Attorney, Agent, or Firm* — Locke Lord LLP; Tim Tingkang Xia, Esq.

(57) **CLAIM**

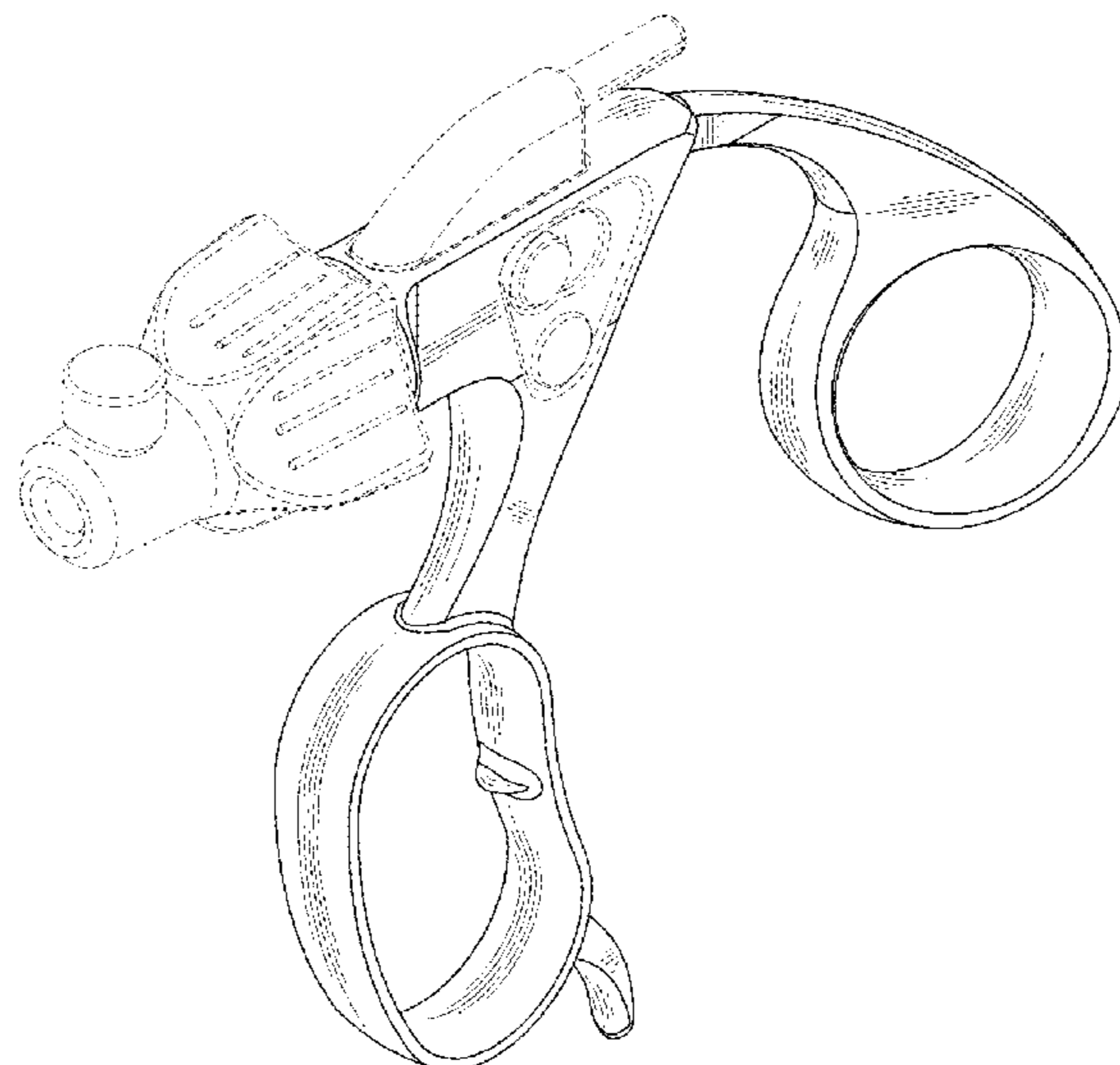
The ornamental design for a handle for endoscopic surgical clip applier, as shown and described.

**DESCRIPTION**

FIG. 1 is a top front right perspective view showing of my new design;  
FIG. 2 is a top rear right perspective view showing of my new design;  
FIG. 3 is a bottom front left perspective view showing of my new design;  
FIG. 4 is a bottom rear left perspective view showing of my new design;  
FIG. 5 is a front view of my new design;  
FIG. 6 is a rear view of my new design;  
FIG. 7 is a left side view of my new design;  
FIG. 8 is a right side view of my new design;  
FIG. 9 is a top view of my new design;  
FIG. 10 is a bottom view of my new design; and,  
FIG. 11 is a top front right perspective view of my new design installed on a clip applier.

The broken lines immediately adjacent shaded surfaces represent claim boundaries. All other broken lines represent environmental subject matter only. The broken lines form no part of the claim.

**1 Claim, 9 Drawing Sheets**



(56)

**References Cited**

U.S. PATENT DOCUMENTS

D698,920 S \* 2/2014 Strobel ..... D24/133  
D717,949 S \* 11/2014 Peschke ..... D24/133

\* cited by examiner

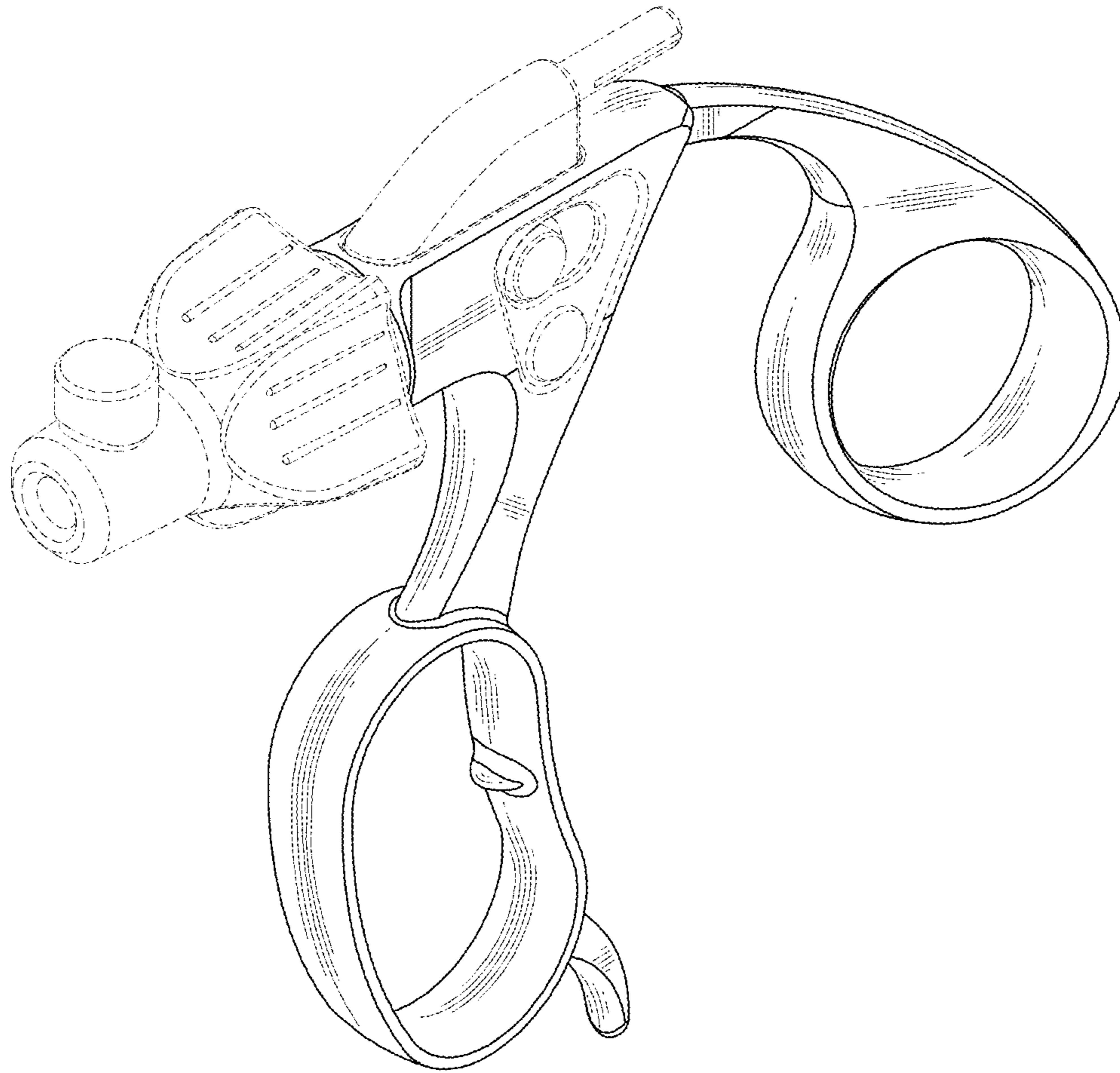


FIG. 1

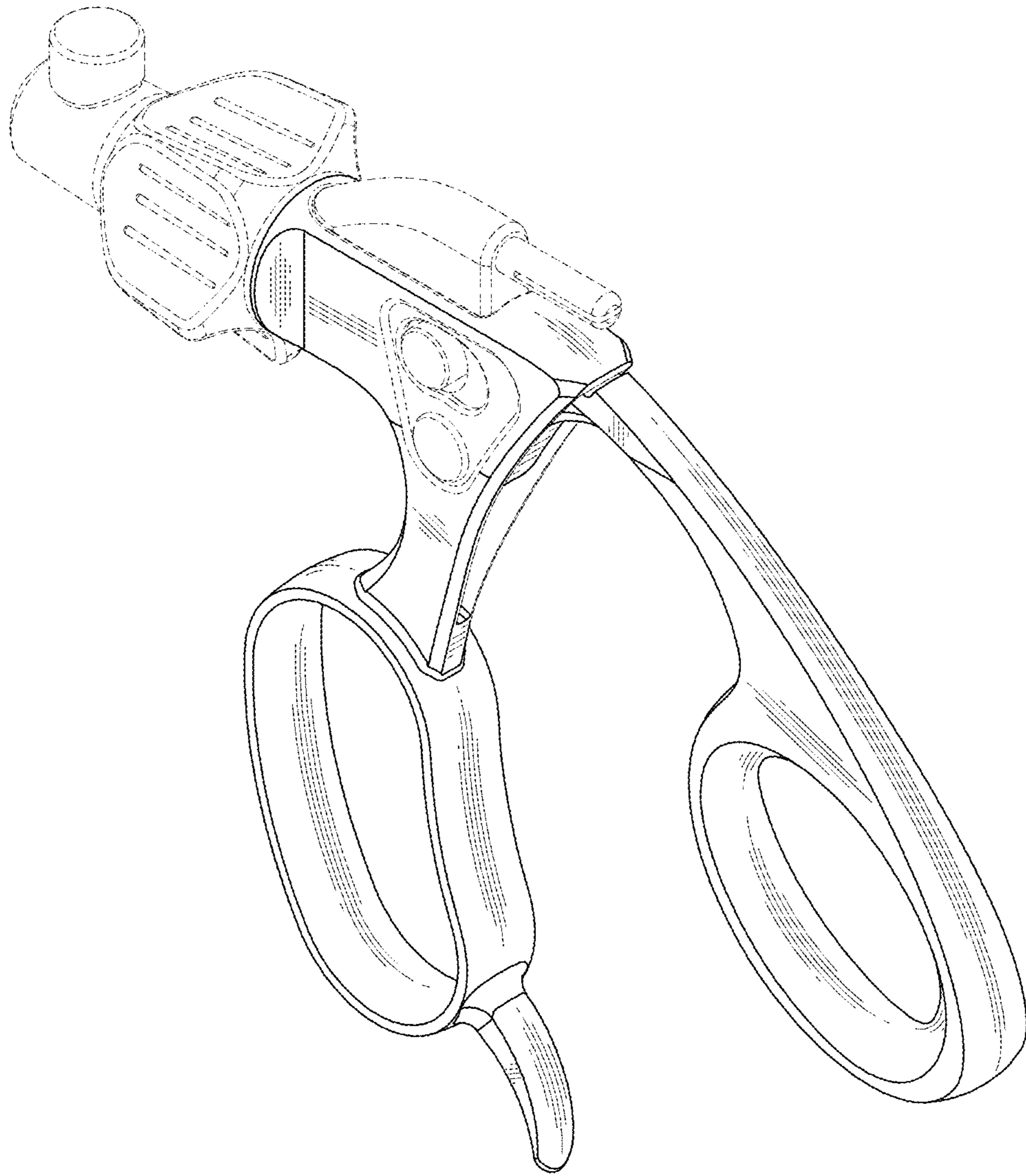


FIG.2

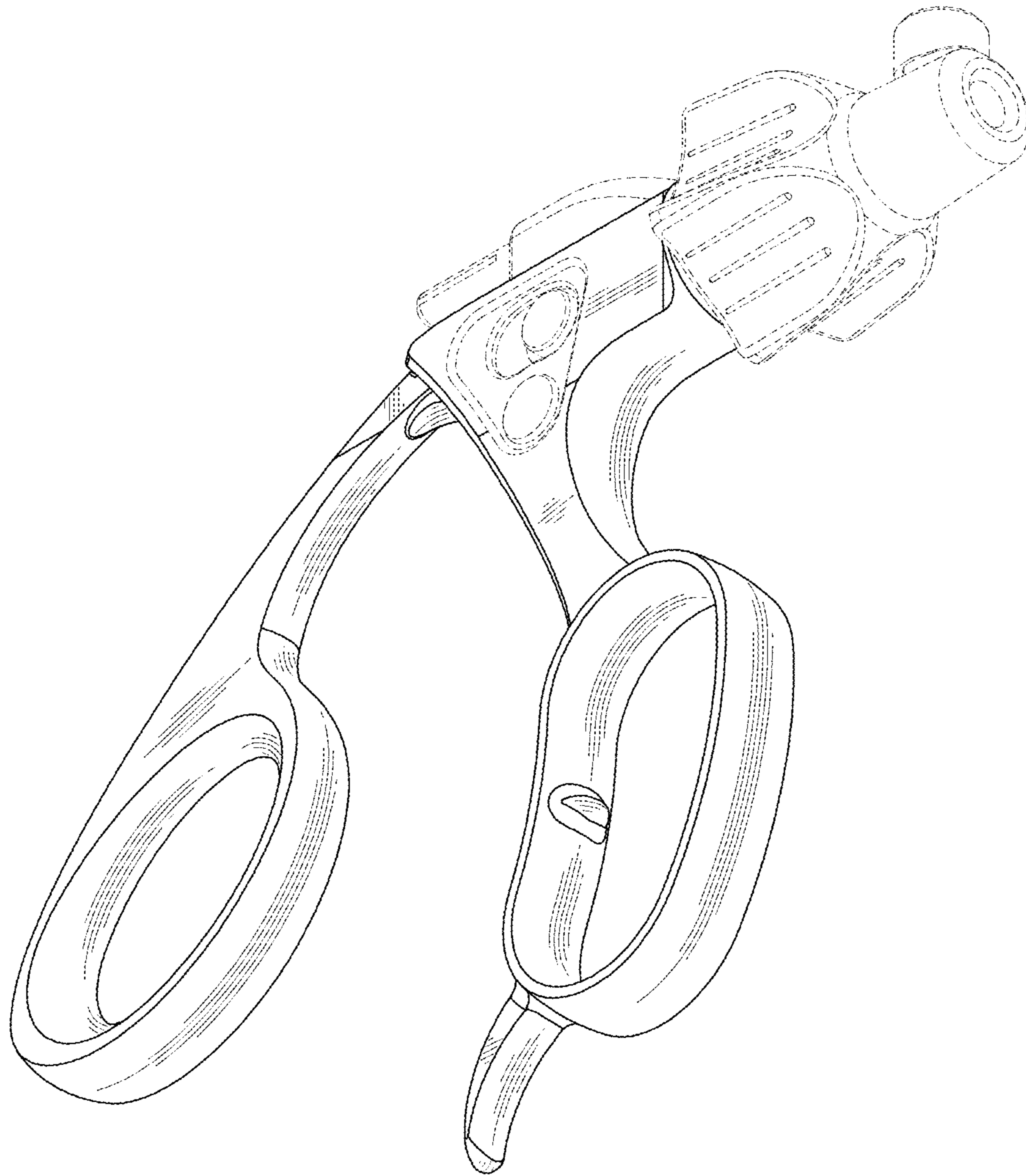


FIG.3

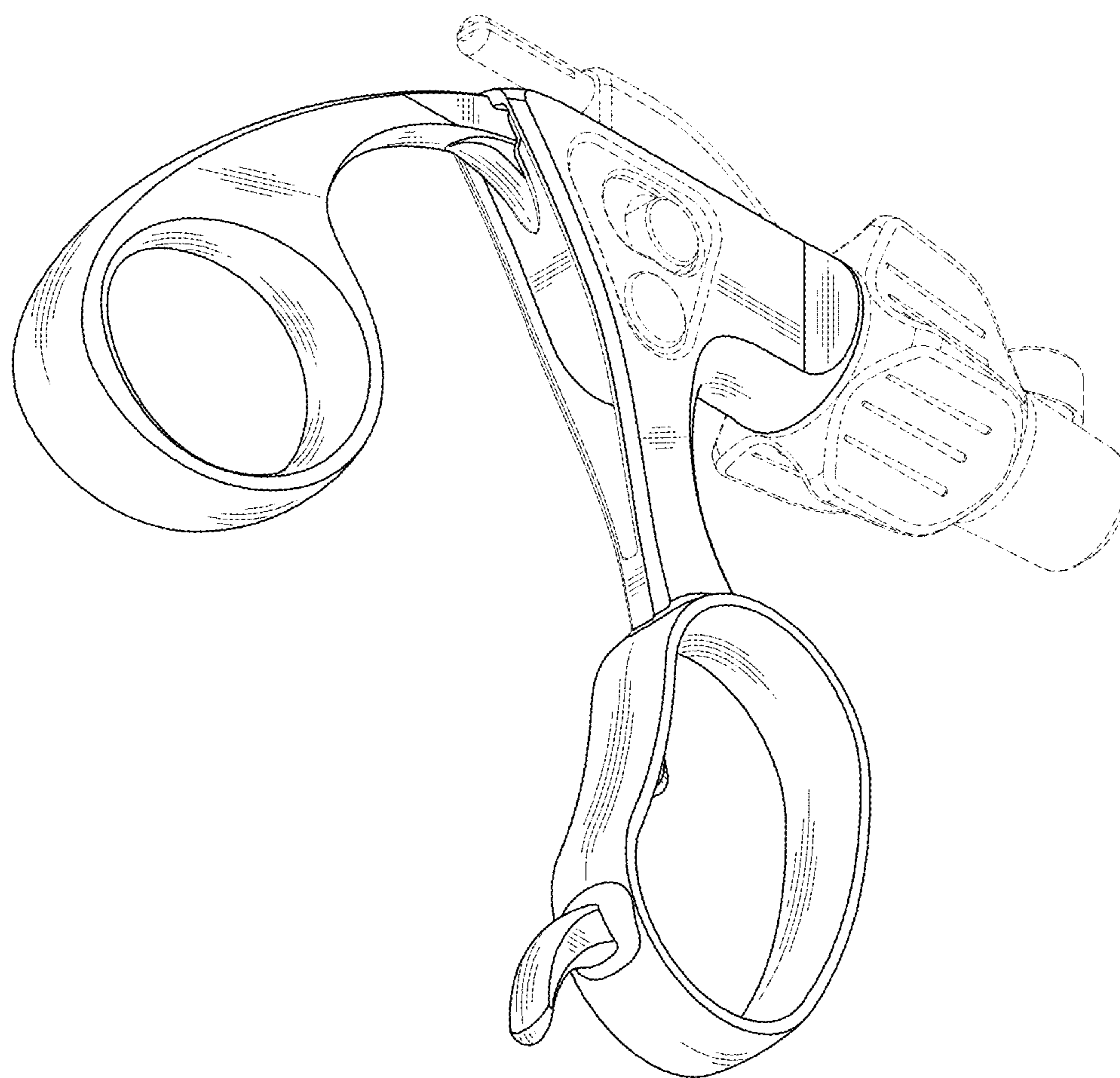


FIG.4

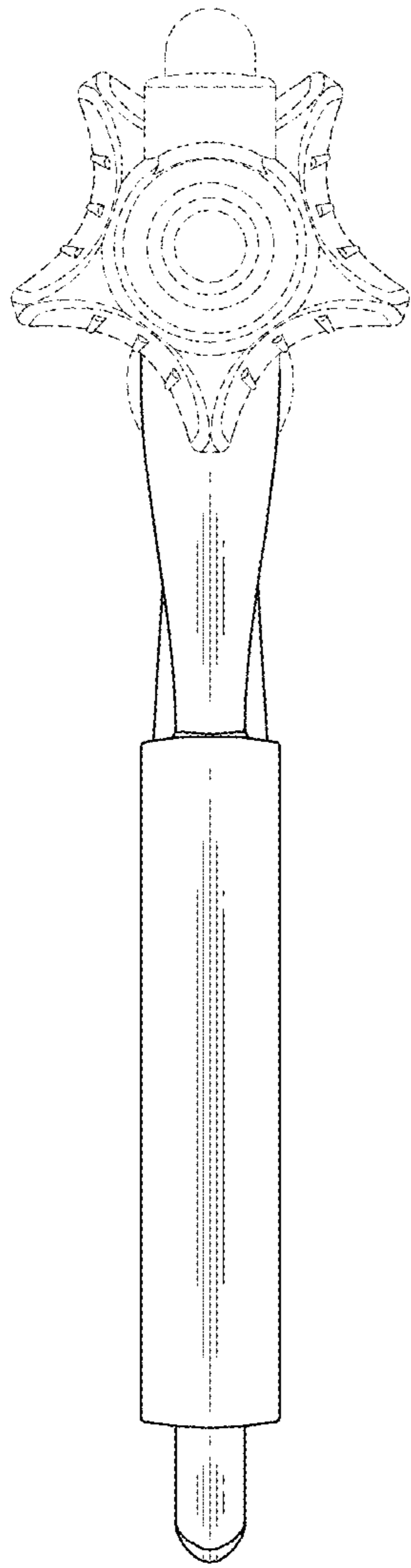


FIG. 5

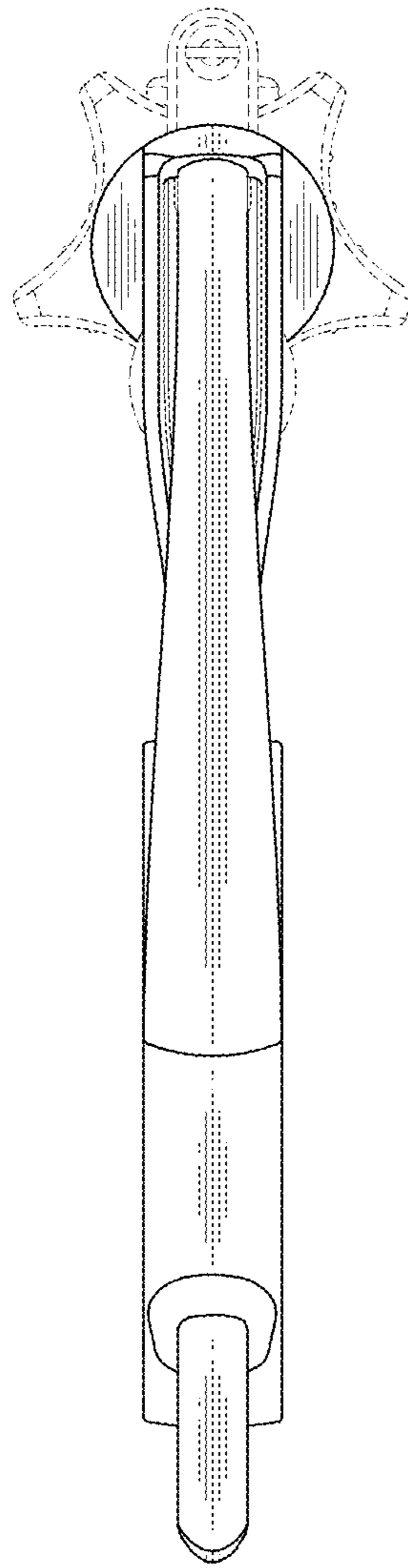


FIG. 6

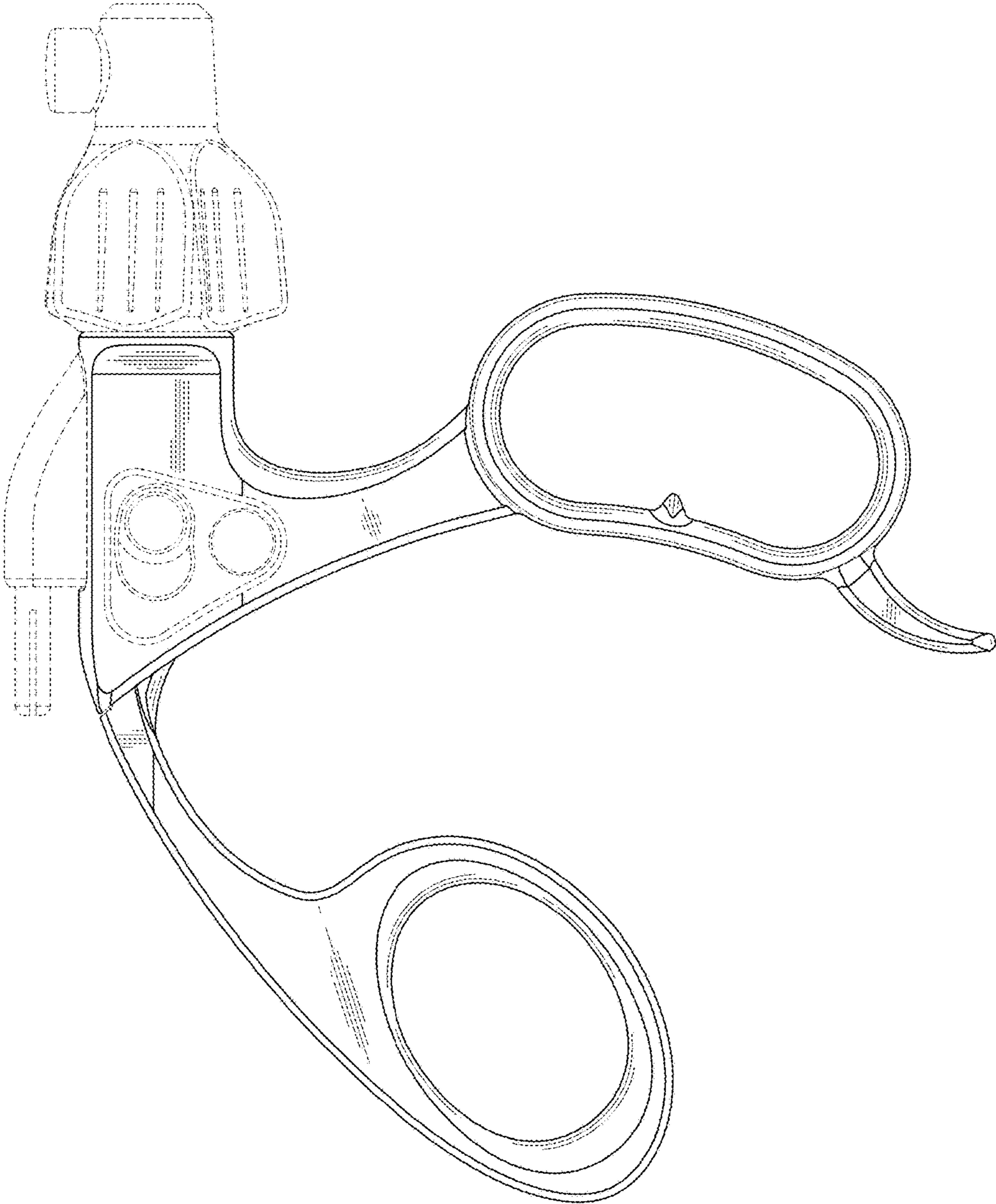


FIG.7



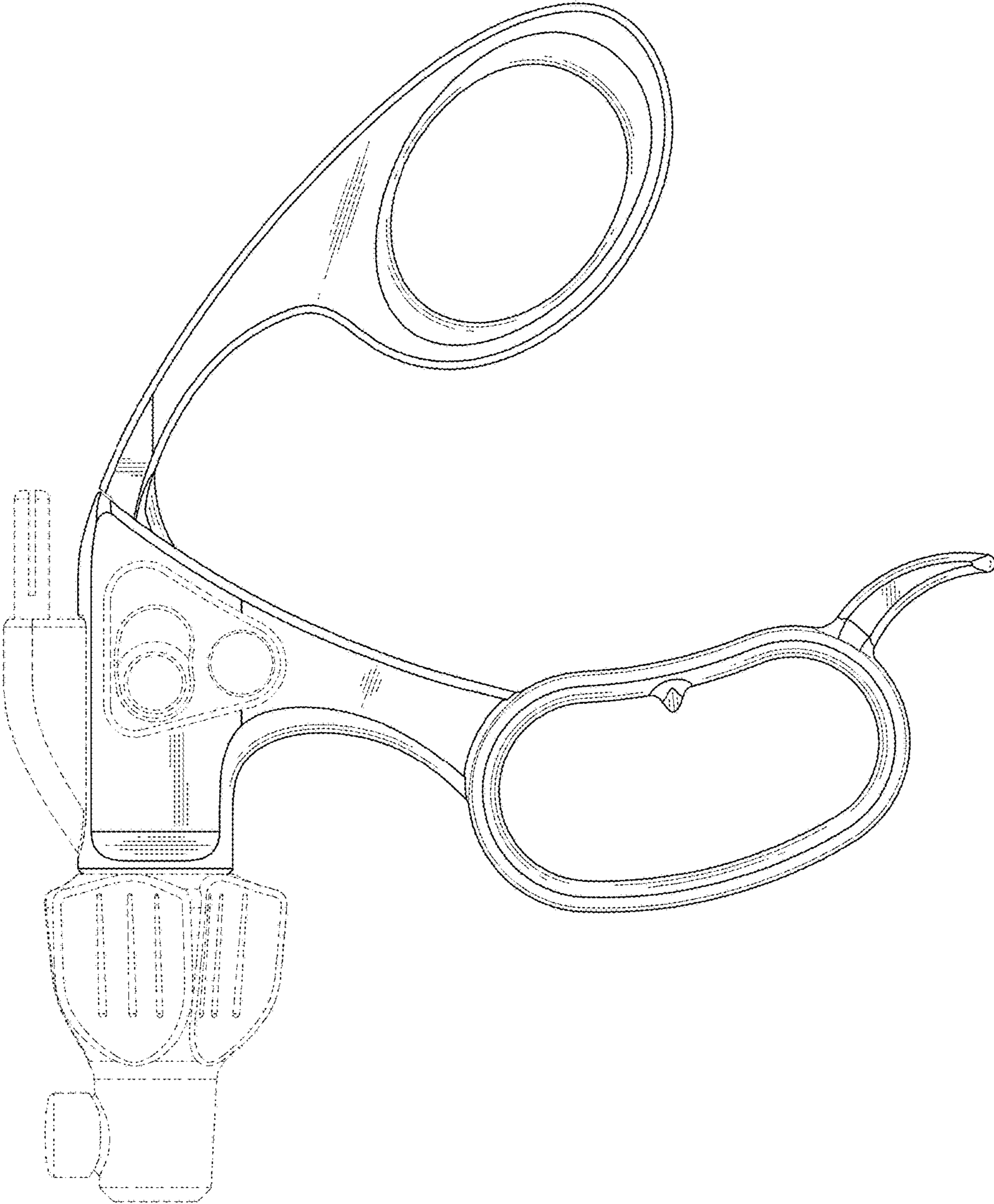


FIG. 8

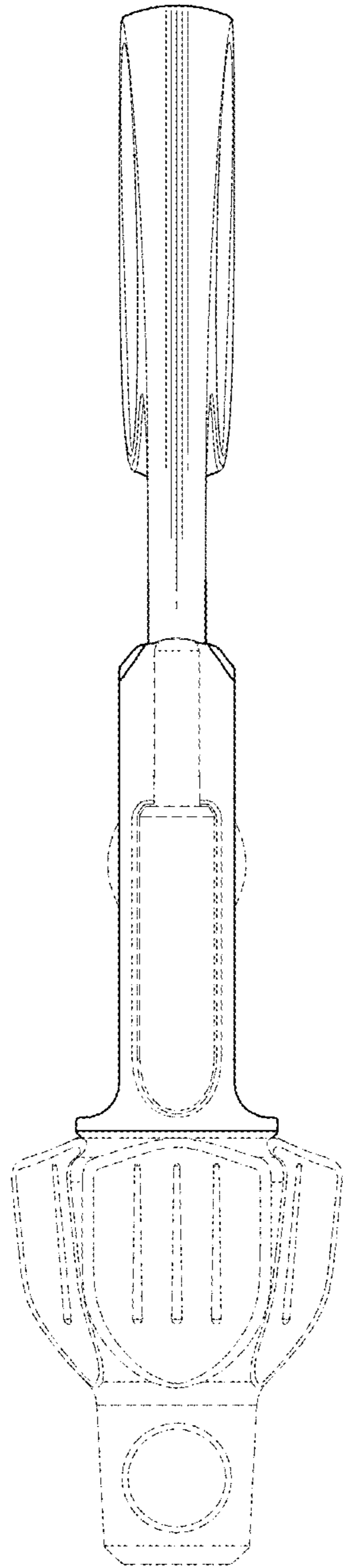


FIG. 9

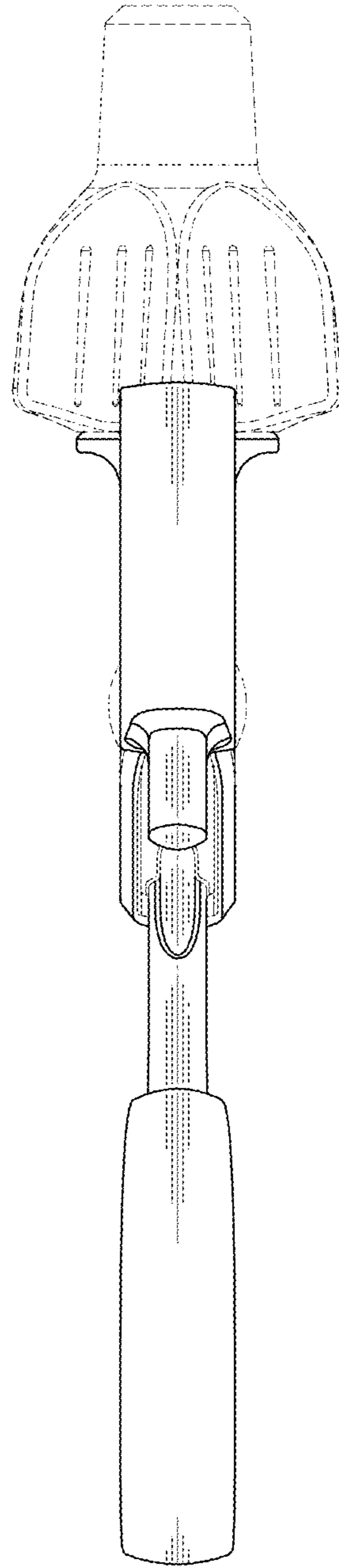


FIG. 10

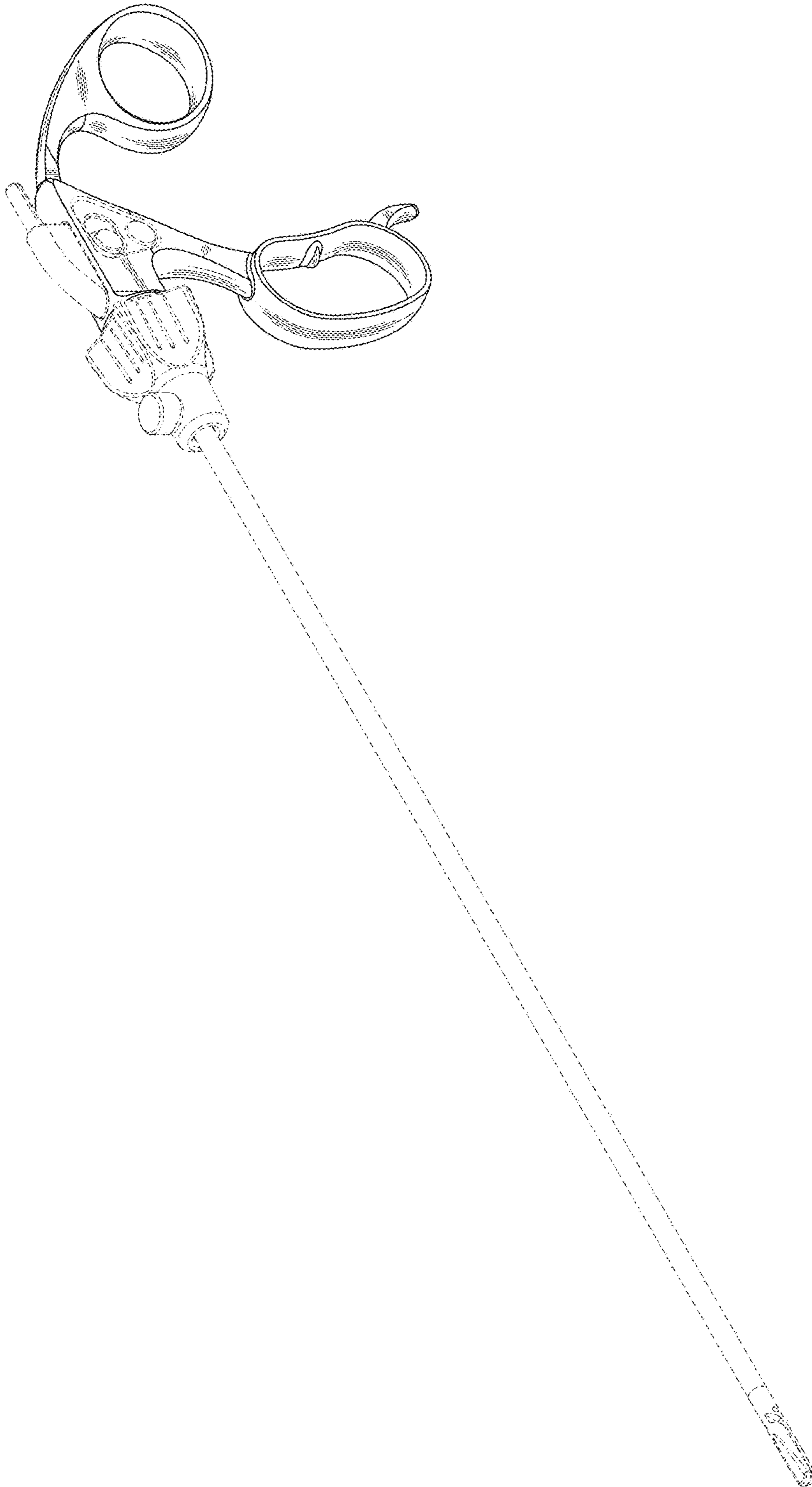


FIG.11