



US00D791312S

(12) **United States Design Patent** (10) **Patent No.:** **US D791,312 S**
Peck (45) **Date of Patent:** **** Jul. 4, 2017**

(54) **NASAL DILATOR DEVICE**
(71) Applicant: **Joseph Peck**, Portland, OR (US)
(72) Inventor: **Joseph Peck**, Portland, OR (US)
(**) Term: **15 Years**

5,957,126 A 9/1999 Nesser
6,029,658 A 2/2000 De Voss
6,244,265 B1 6/2001 Cronk et al.
6,276,360 B1 8/2001 Cronk et al.
D473,947 S * 4/2003 Jacobson D24/189
6,769,428 B2 8/2004 Cronk et al.
7,013,889 B2 3/2006 Cronk et al.
7,114,495 B2 10/2006 Lockwood, Jr.
(Continued)

(21) Appl. No.: **29/541,712**

FOREIGN PATENT DOCUMENTS

(22) Filed: **Oct. 7, 2015**

CN 202996224 6/2013
CN 103627342 3/2014

(51) **LOC (10) Cl.** **24-02**

(52) **U.S. Cl.**
USPC **D24/135**

(Continued)

(58) **Field of Classification Search**
USPC D24/133, 135, 136, 189
CPC A61F 5/08; A61B 17/0057; A61B 1/233;
A61M 29/00; A61M 29/02
See application file for complete search history.

Primary Examiner — Bridget L Eland
Assistant Examiner — Lauren McVey

(57) **CLAIM**

The ornamental design for a nasal dilator device, as shown and described.

(56) **References Cited**

DESCRIPTION

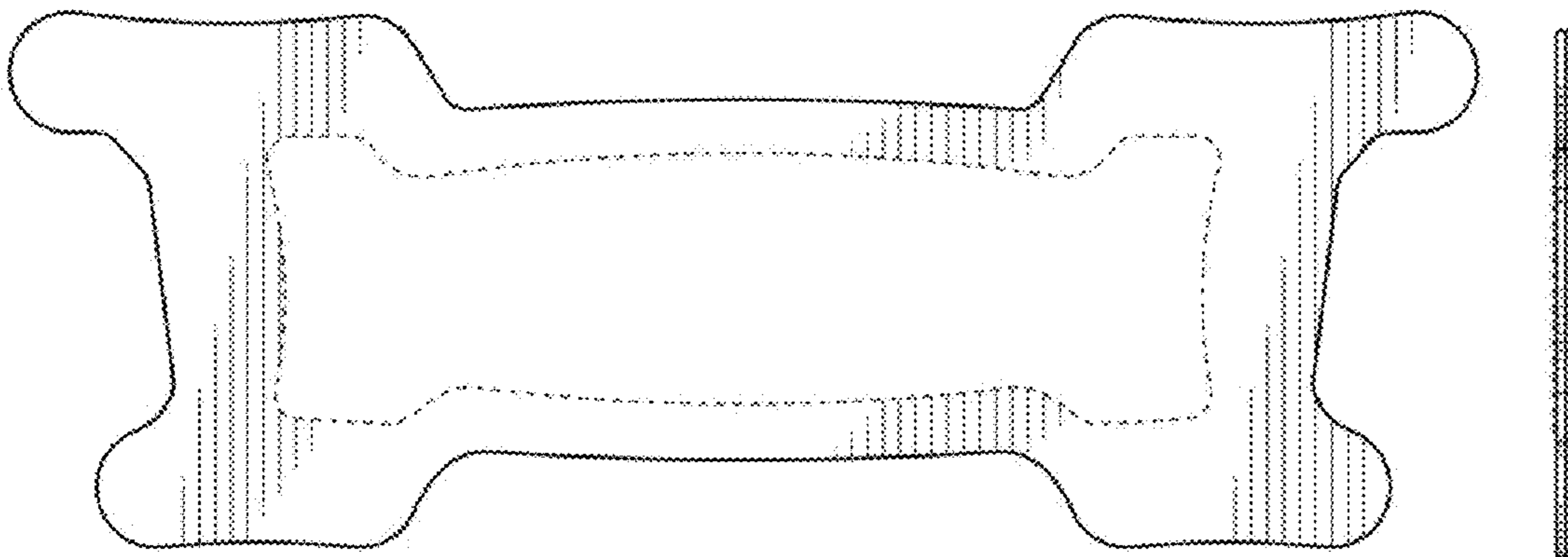
U.S. PATENT DOCUMENTS

D113,676 S * 3/1939 Mastin D24/189
4,414,977 A 11/1983 Rezakhany
D310,565 S 9/1990 Petruson
D346,022 S * 4/1994 Quigley D24/135
D353,458 S * 12/1994 Quigley D24/135
D362,064 S * 9/1995 Smick D24/130
5,476,091 A 12/1995 Johnson
5,479,944 A 1/1996 Petruson
5,533,499 A 7/1996 Johnson
5,533,503 A 7/1996 Doubek et al.
5,546,929 A 8/1996 Muchin
5,553,605 A 9/1996 Muchin
5,611,333 A 3/1997 Johnson
5,653,224 A 8/1997 Johnson
5,669,377 A 9/1997 Fenn
5,706,800 A 1/1998 Cronk et al.
5,718,224 A 2/1998 Muchin

FIG. 1 is a front perspective view of a nasal dilator device, showing my new design;
FIG. 2 is a front view of the nasal dilator device of FIG. 1;
FIG. 3 is a back view of the nasal dilator device of FIG. 1;
FIG. 4 is a left side view of the nasal dilator device of FIG. 1;
FIG. 5 is a right side view of the nasal dilator device of FIG. 1;
FIG. 6 is a top view of the nasal dilator device of FIG. 1; and,
FIG. 7 is a bottom view of the nasal dilator device of FIG. 1.

The broken lines that are immediately adjacent to the claim, and define unshaded regions, represent the bounds of the claim, while all other broken lines are directed to environment; the broken lines form no part of the claimed design.

1 Claim, 3 Drawing Sheets



(56)

References Cited

U.S. PATENT DOCUMENTS

D574,495 S * 8/2008 Petersen D24/140
7,878,197 B2 2/2011 Christy et al.
8,047,201 B2 11/2011 Guyuron et al.
8,062,329 B2 11/2011 Ierulli
8,342,173 B2 1/2013 Lockwood, Jr.
8,444,670 B2 5/2013 Ierulli
8,584,671 B2 11/2013 Ierulli
8,617,199 B2 * 12/2013 Eull A61F 5/08
606/199
8,858,587 B2 * 10/2014 Ierulli A61F 5/08
128/207.18
D724,729 S * 3/2015 Bennett D24/136
D738,496 S 9/2015 Peck
D739,015 S * 9/2015 Martin D24/135
D741,998 S * 10/2015 Martin D24/135
D760,396 S * 6/2016 Bradford D24/189
2008/0058858 A1 * 3/2008 Smith A61F 5/08
606/199

FOREIGN PATENT DOCUMENTS

GB 2027060 * 12/1993
JP D1497335 * 5/2014

* cited by examiner

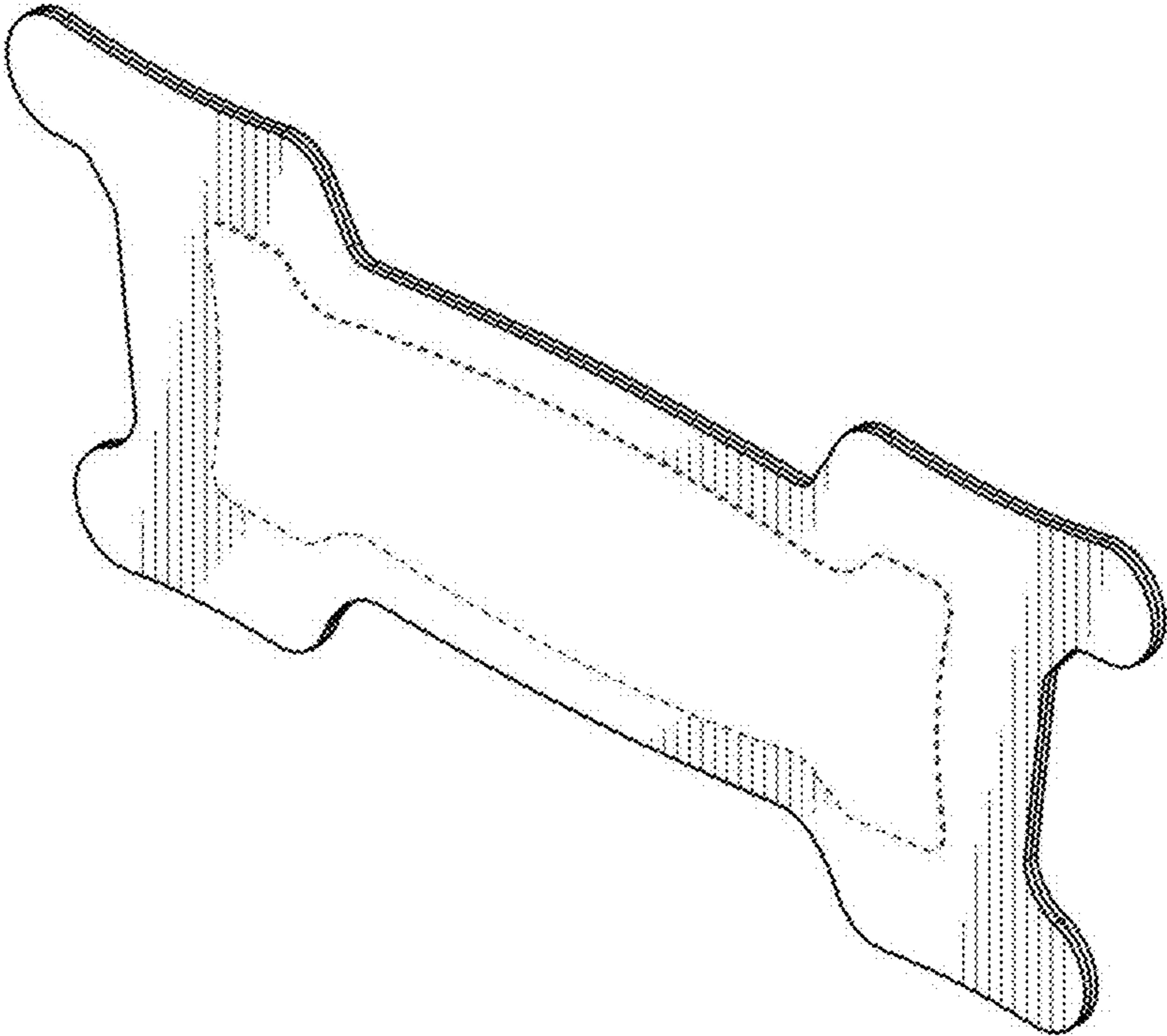


FIG. 1

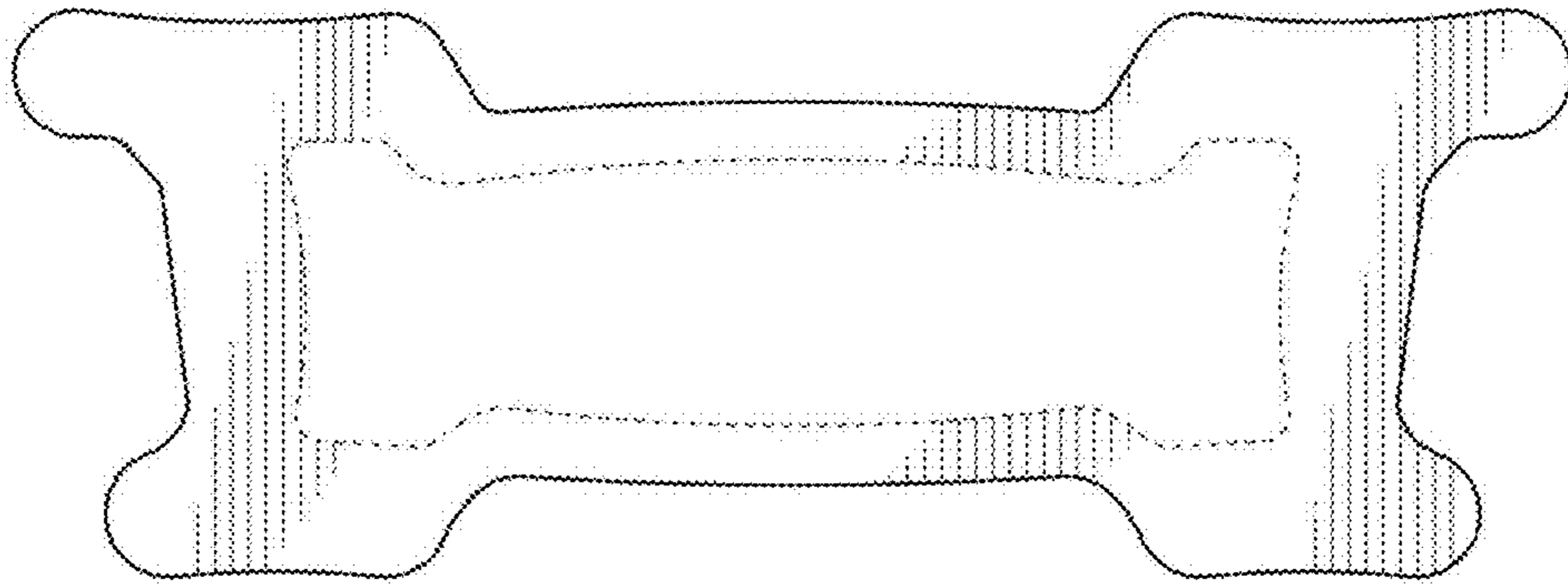


FIG. 2

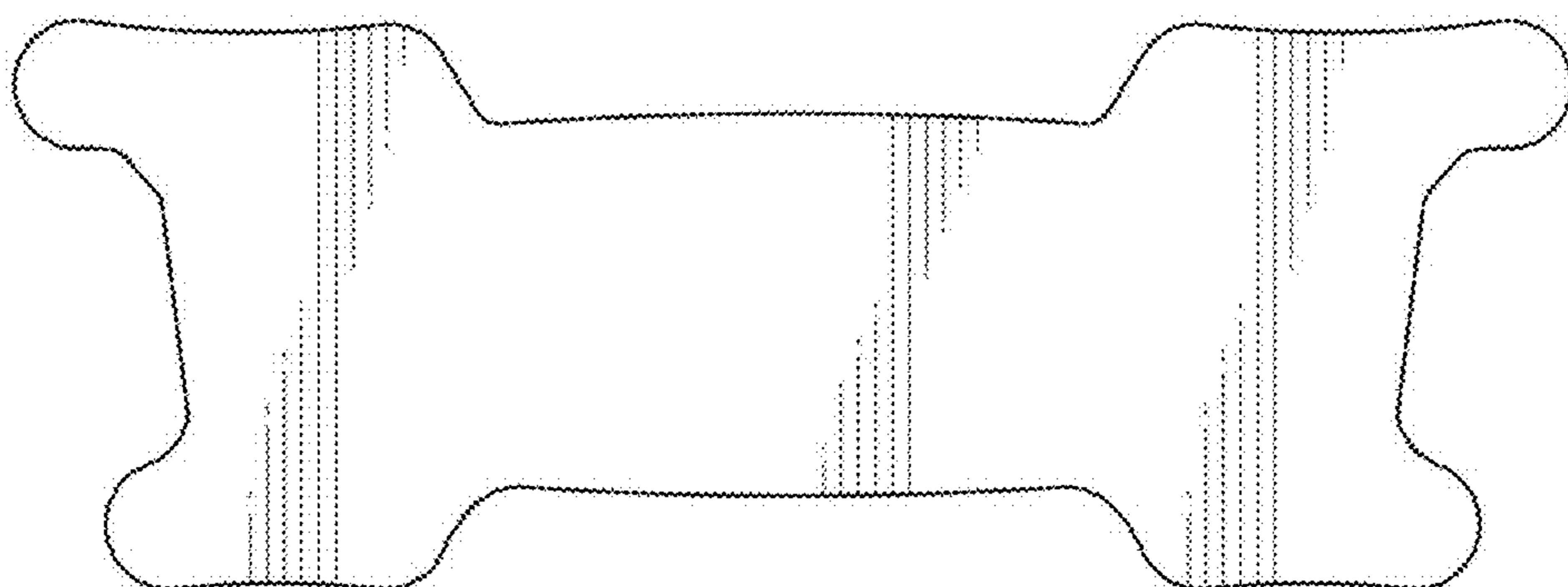


FIG. 3

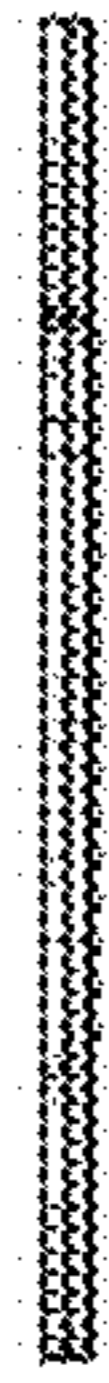


FIG. 4



FIG. 5

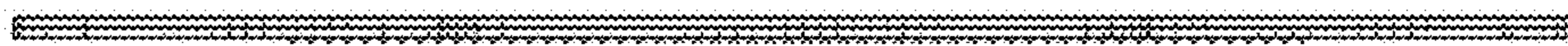


FIG. 6

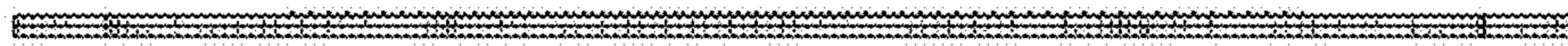


FIG. 7