



US00D791311S

(12) **United States Design Patent**  
**Yantz**

(10) **Patent No.:** **US D791,311 S**  
(45) **Date of Patent:** **\*\* Jul. 4, 2017**

- (54) **CATHETER SLEEVE**
- (71) Applicant: **Kathryn Leigh Yantz**, Colchester, VT (US)
- (72) Inventor: **Kathryn Leigh Yantz**, Colchester, VT (US)
- (73) Assignee: **Doug Yantz Technology, LLC**, Colchester, VT (US)

6,511,462 B1 \* 1/2003 Itou ..... A61M 25/0012  
264/463  
D481,793 S \* 11/2003 Rao ..... A61M 1/02  
D24/108  
7,166,100 B2 \* 1/2007 Jordan ..... A61M 25/10  
604/524  
D669,983 S \* 10/2012 Dapri ..... D24/133  
D678,501 S \* 3/2013 Champe ..... D24/108  
2005/0251189 A1 \* 11/2005 Saadat ..... A61B 17/0401  
606/185  
2006/0030835 A1 \* 2/2006 Sherman ..... A61F 2/958  
604/526

(\*\*) Term: **15 Years**

(Continued)

(21) Appl. No.: **29/563,318**

*Primary Examiner* — David Muller

*Assistant Examiner* — Nathan Johnston

(22) Filed: **May 4, 2016**

(74) *Attorney, Agent, or Firm* — Justin W. McCabe;  
Dunkiel Saunders Elliott Raubvogel & Hand, PLLC

(51) **LOC (10) Cl.** ..... **24-01**

(52) **U.S. Cl.**  
USPC ..... **D24/130**

(57) **CLAIM**

(58) **Field of Classification Search**  
USPC ..... D24/127–131, 112–114, 133, 186;  
606/204, 27; 604/104; 128/95.1, 96,  
128/197.1, 100.1, 101.1, 876; 607/96,  
607/104, 108, 109–112, 114; D6/608,  
D6/609; 219/528, 529; 602/1–7, 17–27,  
602/61–66, 74; 126/204; 601/15,  
601/DIG. 1, DIG. 2, DIG. 15; 383/62, 78,  
383/81–83, 89; D29/101.2, 101.5, 120.1,  
D29/121.1, 108, 121.2, 122; D3/327;  
D9/707  
CPC ..... A61B 18/1492; A61B 2018/00577; A61B  
2018/0022  
See application file for complete search history.

The ornamental design for a catheter sleeve, as shown and described.

**DESCRIPTION**

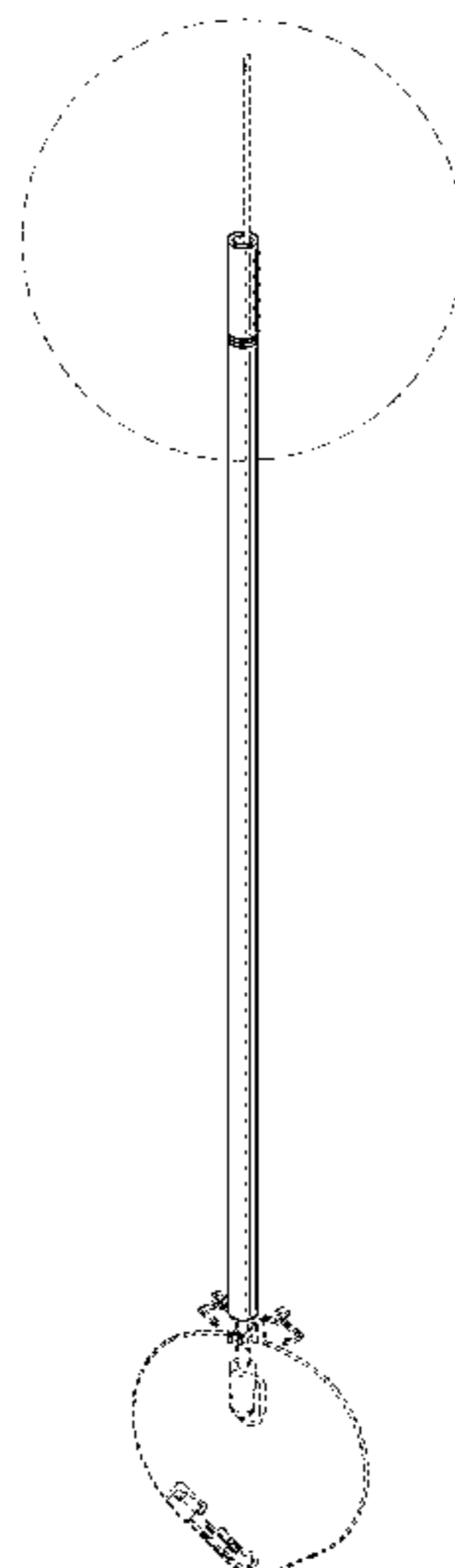
(56) **References Cited**

U.S. PATENT DOCUMENTS

- 5,089,006 A \* 2/1992 Stiles ..... A61F 2/95  
606/198
- 5,897,536 A \* 4/1999 Nap ..... A61M 25/0054  
604/264
- 6,273,876 B1 \* 8/2001 Klima ..... A61M 25/005  
604/264

FIG. 1 is a perspective view of a catheter sleeve showing my new design;  
FIG. 2 is another perspective view thereof, showing the catheter sleeve in an alternate configuration;  
FIG. 3 is perspective cut-away view of a portion of the catheter sleeve;  
FIG. 4 is a front elevation view of the catheter sleeve, the right side elevation, left side elevation and rear elevation are mirror images thereof; and,  
FIG. 5 is a bottom plan view thereof, the top plan view being a mirror image.  
The features shown in broken lines depict environmental subject matter only and form no part of the claimed design. The break intersecting the catheter sleeve in FIG. 4 of the drawings depicts a symbolic break in length showing truncation of the claimed design.

**1 Claim, 4 Drawing Sheets**



(56)

**References Cited**

U.S. PATENT DOCUMENTS

2010/0249601 A1\* 9/2010 Courtney ..... A61B 5/0066  
600/463  
2012/0065579 A1\* 3/2012 Cully ..... A61M 25/0082  
604/26  
2014/0163367 A1\* 6/2014 Eskuri ..... A61M 5/007  
600/434

\* cited by examiner

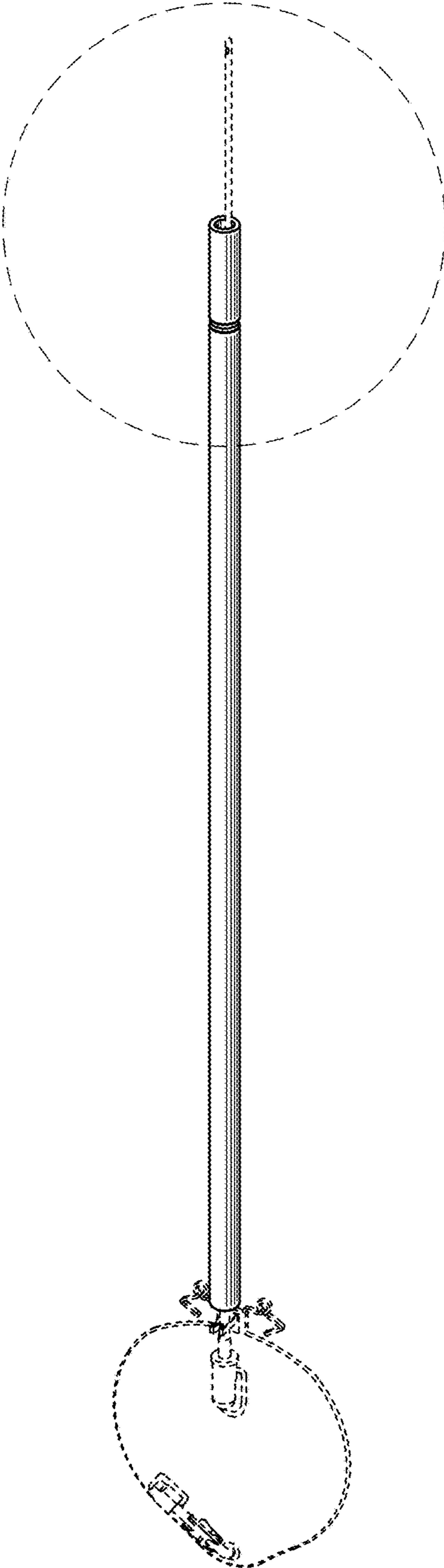


FIG. 1

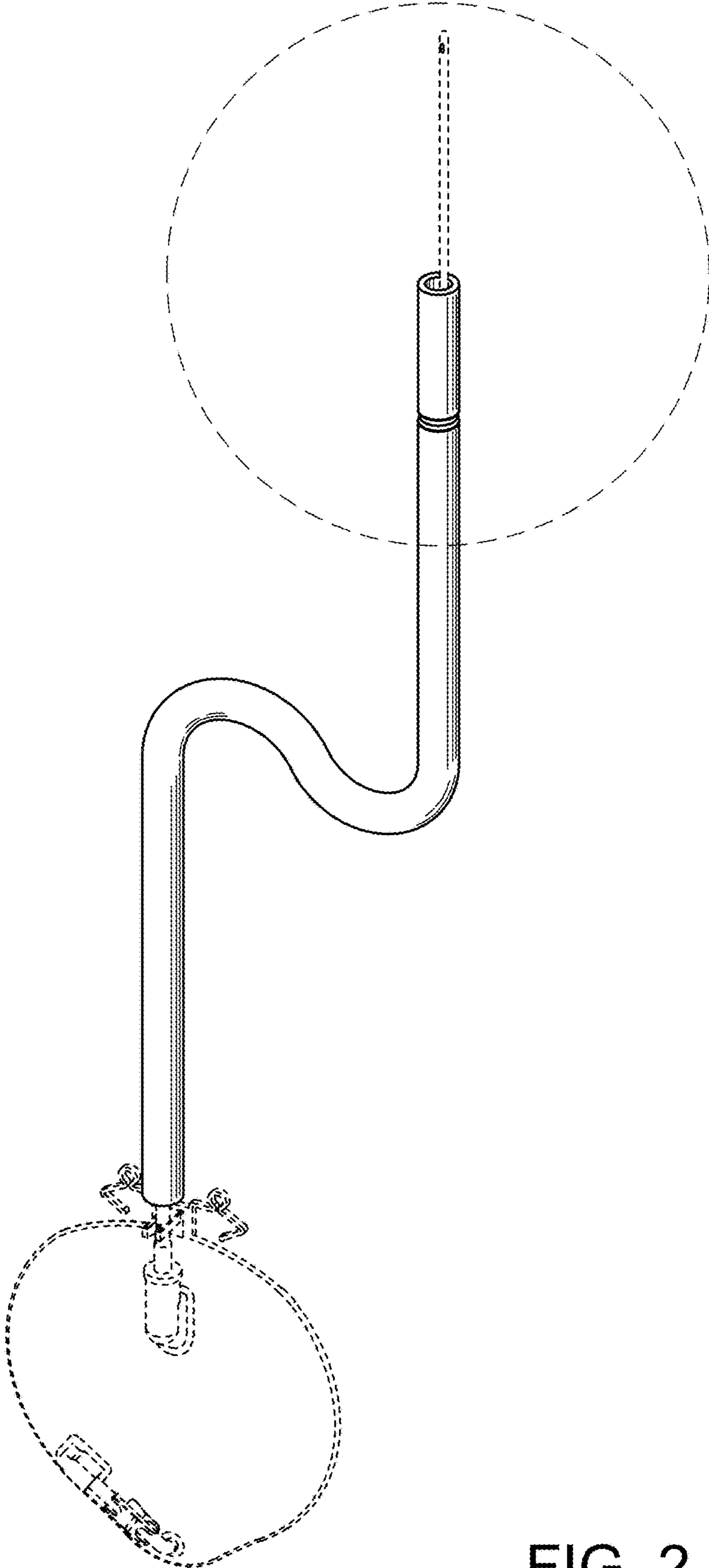


FIG. 2

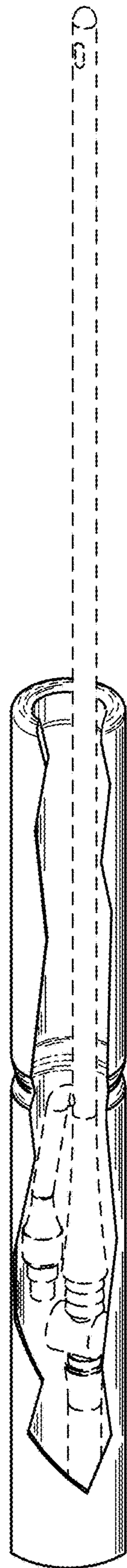


FIG. 3

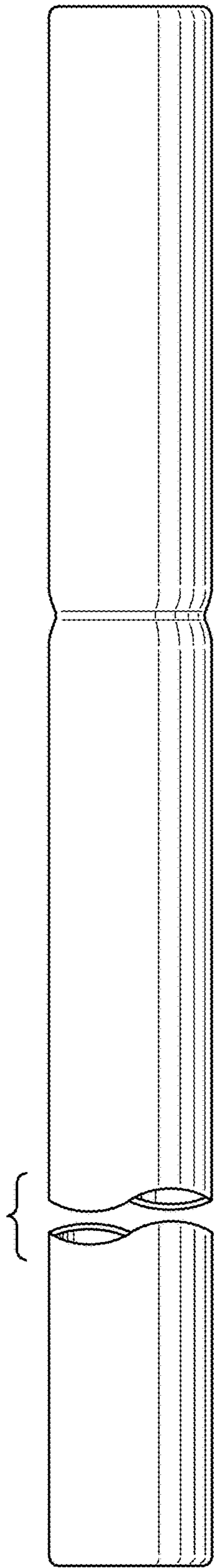


FIG. 4

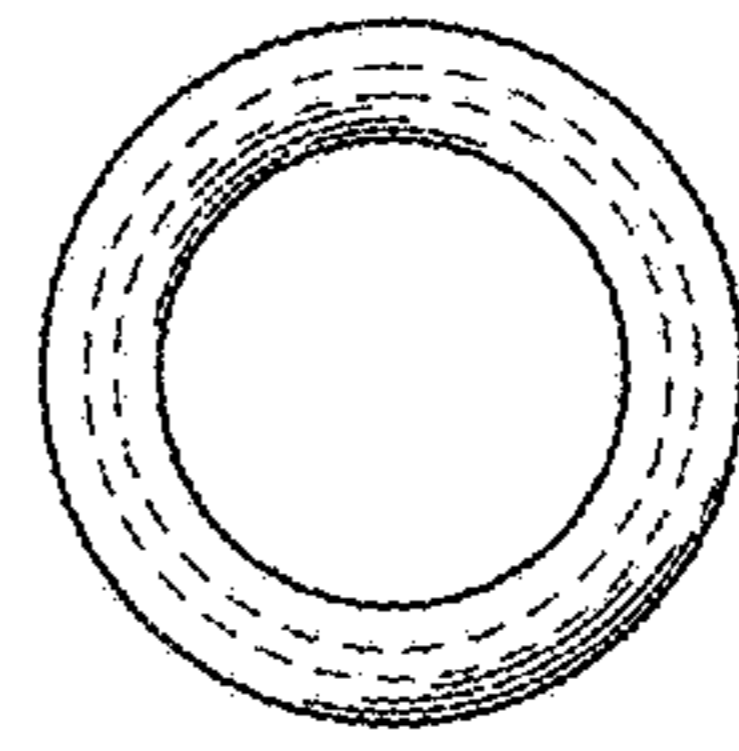


FIG. 5