

US00D791308S

(12) **United States Design Patent** (10) **Patent No.:** **US D791,308 S**
Taylor (45) **Date of Patent:** **** Jul. 4, 2017**

(54) **NASAL CANNULA HOLDING ELEMENT**

(71) Applicant: **Neva Taylor**, Hagerhill, KY (US)

(72) Inventor: **Neva Taylor**, Hagerhill, KY (US)

(**) Term: **15 Years**

(21) Appl. No.: **29/535,825**

(22) Filed: **Aug. 11, 2015**

(51) **LOC (10) Cl.** **29-02**

(52) **U.S. Cl.**
USPC **D24/128; D24/110.1**

(58) **Field of Classification Search**
USPC D24/110.1, 128, 110; D2/877
CPC A61M 16/0683; A61M 16/0666
See application file for complete search history.

(56) **References Cited**

U.S. PATENT DOCUMENTS

4,699,139	A	10/1987	Marshall	
4,739,757	A *	4/1988	Edwards A61M 16/0666 128/207.18
4,836,200	A	6/1989	Clark	
4,949,733	A	8/1990	Sampson	
5,704,916	A	1/1998	Byrd	
D422,699	S	4/2000	Weatherholt	

D536,092	S *	1/2007	Amarasinghe D24/110
D543,619	S *	5/2007	Marshall D24/110
D595,416	S	6/2009	Kovacs	
D702,832	S *	4/2014	Hadley D24/128
2007/0056590	A1	3/2007	Wolfson	
2013/0146064	A1	6/2013	Dryden	
2013/0312760	A1	11/2013	Kostyk	

FOREIGN PATENT DOCUMENTS

CN 103041482 4/2013

* cited by examiner

Primary Examiner — Richelle G Shelton

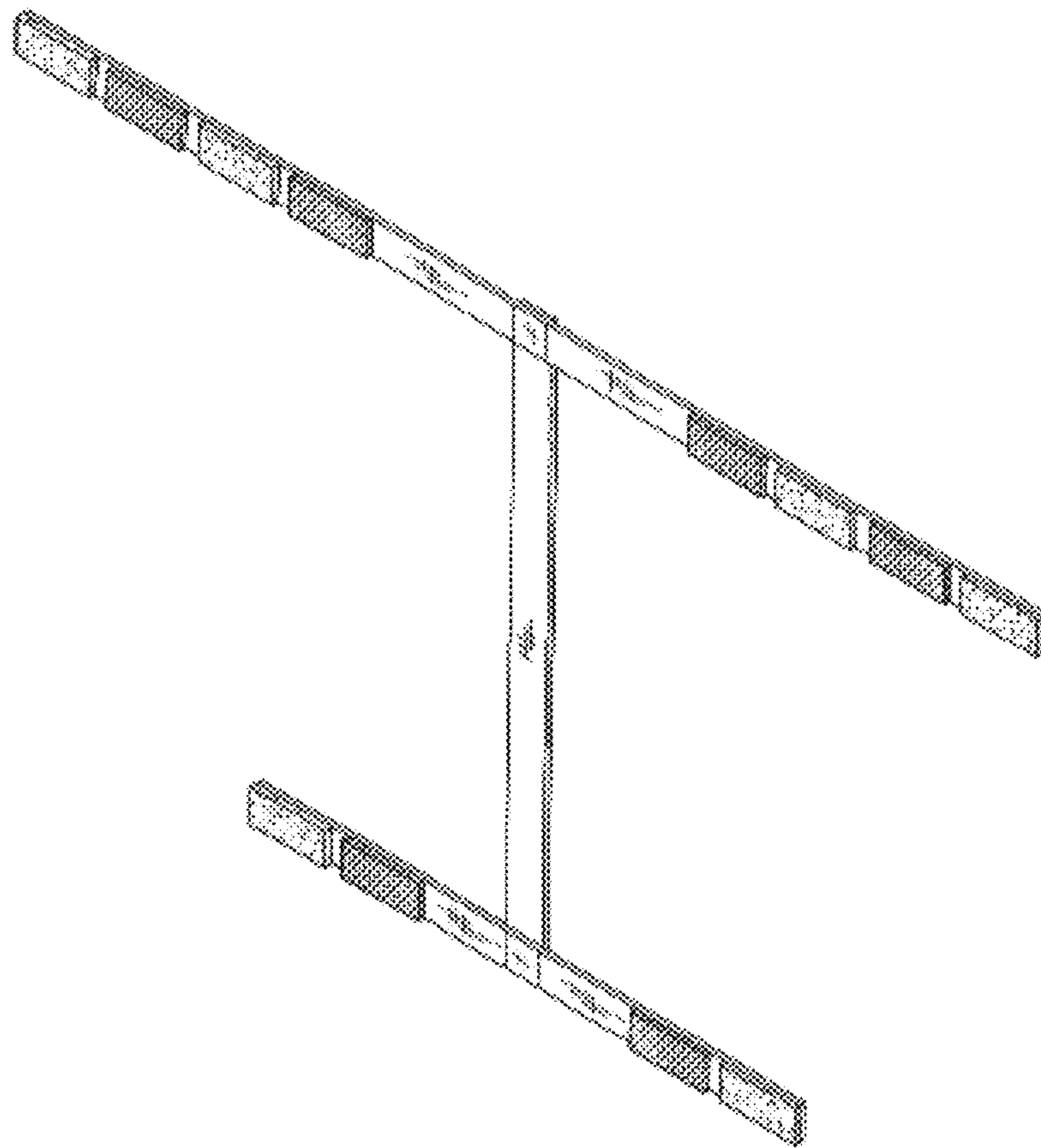
(57) **CLAIM**

I claim the ornamental design for a nasal cannula holding element, as shown and described.

DESCRIPTION

FIG. 1 is a front view of the nasal cannula holding element. FIG. 2 is a back view of the claimed design. FIG. 3 is a side view of the claimed design. FIG. 4 is a top view of the claimed design. FIG. 5 is a bottom view of the claimed design; and, FIG. 6 is a perspective view of the claimed design. The broken lines appearing on FIGS. 1 and 6 are included for the purpose of illustrating stitching and form no part of the claimed design.

1 Claim, 5 Drawing Sheets



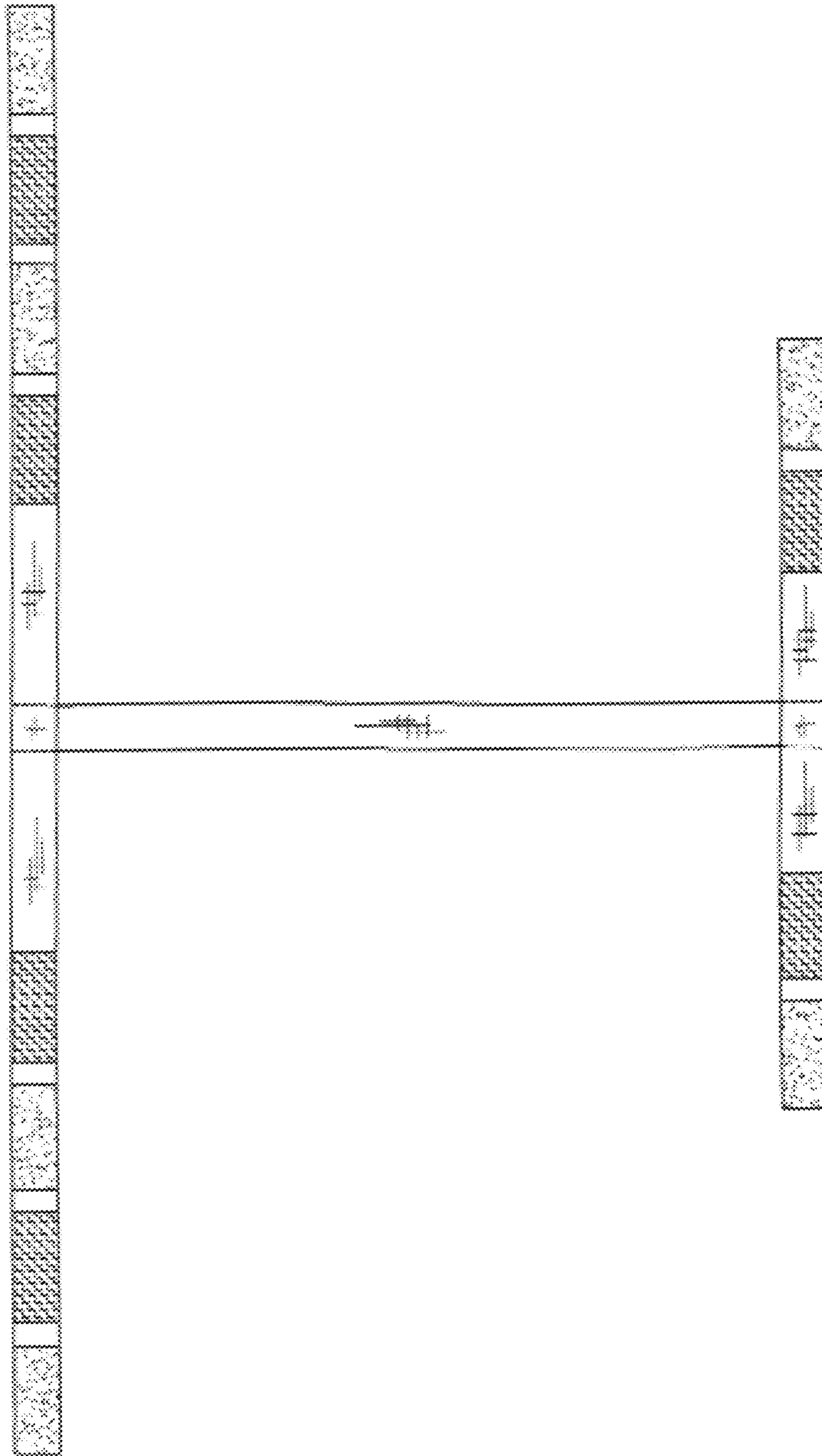


FIG. 1

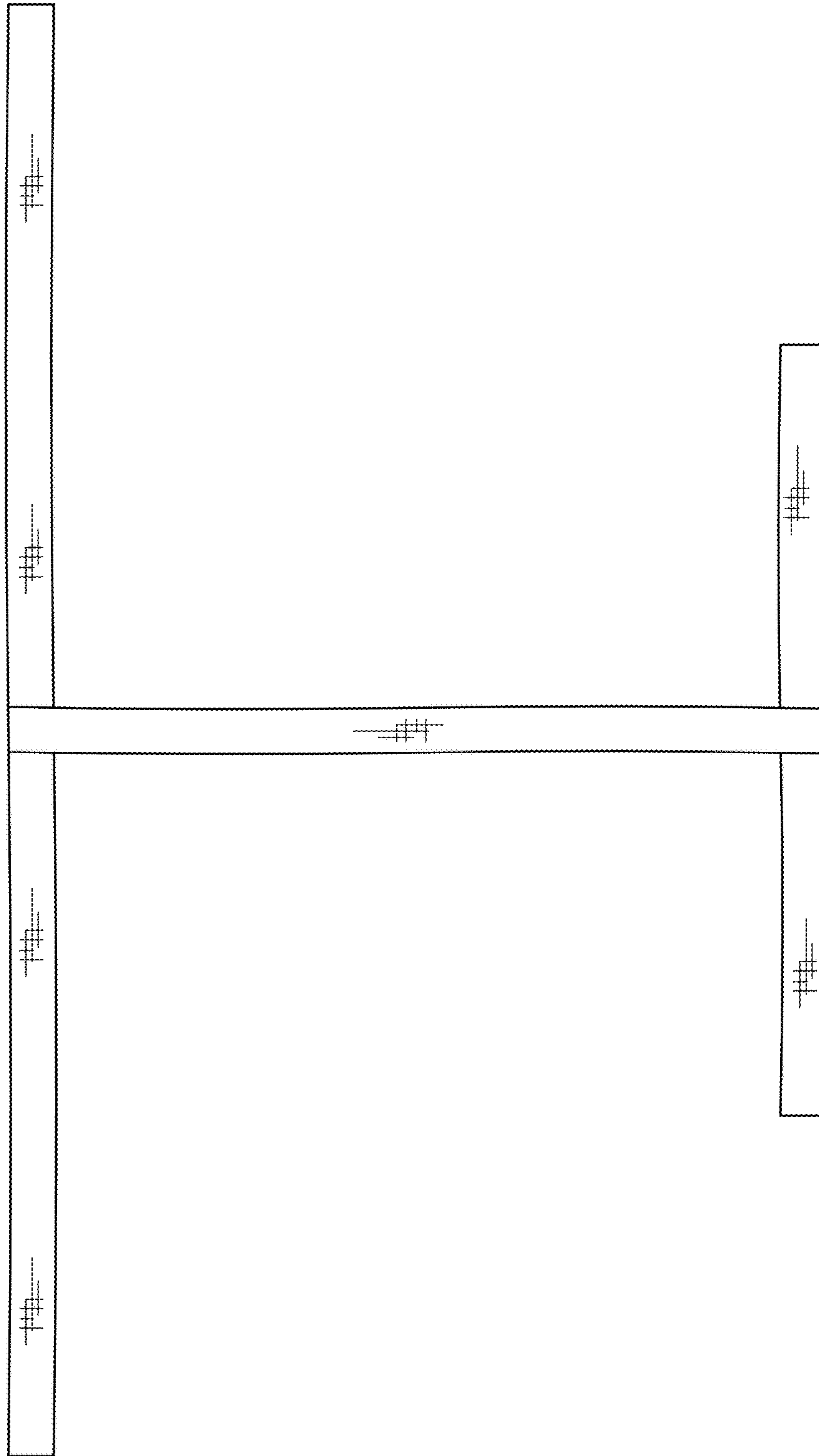


FIG. 2

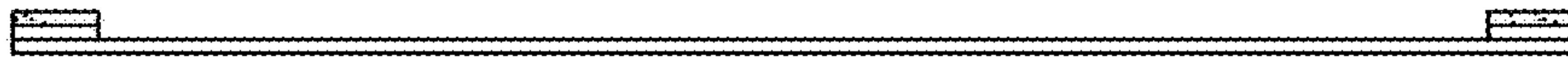


FIG. 3

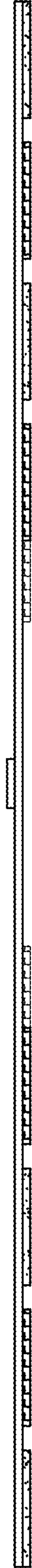


FIG. 4



FIG. 5

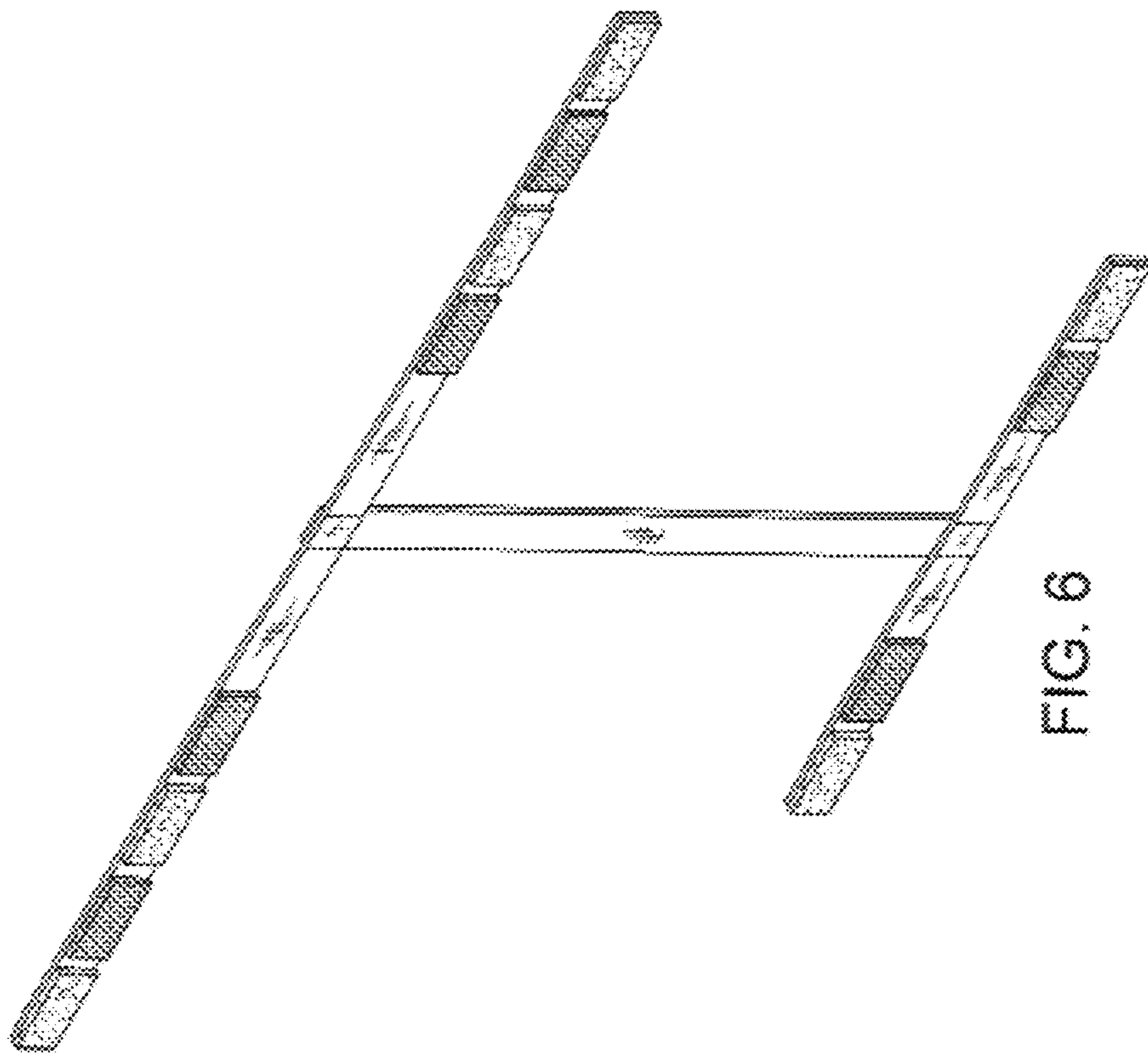


FIG. 6