



US00D791307S

(12) **United States Design Patent**
Mingione et al.

(10) **Patent No.:** **US D791,307 S**
(45) **Date of Patent:** **** Jul. 4, 2017**

- (54) **ANTISEPTIC APPLICATOR**
- (71) Applicant: **CAREFUSION 2200, INC**, San Diego, CA (US)
- (72) Inventors: **Louis Mingione**, Chicago, IL (US); **Charlie Beuchat**, Anaheim Hills, CA (US)
- (73) Assignee: **CAREFUSION 2200, INC.**, San Diego, CA (US)
- (**) Term: **15 Years**
- (21) Appl. No.: **29/542,505**
- (22) Filed: **Oct. 14, 2015**
- (51) **LOC (10) Cl.** **24-02**
- (52) **U.S. Cl.**
USPC **D24/119**
- (58) **Field of Classification Search**
USPC D24/119, 133; 424/443, 672; D28/7; 401/132
See application file for complete search history.

- 2013/0251439 A1* 9/2013 Guzman A61M 35/003 401/132
- 2015/0098861 A1* 4/2015 Degala A61L 2/18 422/28
- 2016/0166816 A1* 6/2016 Mingione A61M 35/003 401/133
- 2016/0199631 A1* 7/2016 Mingione A61M 35/003 604/310

* cited by examiner

Primary Examiner — Garth Rademaker
Assistant Examiner — Samantha Q Lawrence
(74) *Attorney, Agent, or Firm* — Arent Fox LLP

(57) **CLAIM**

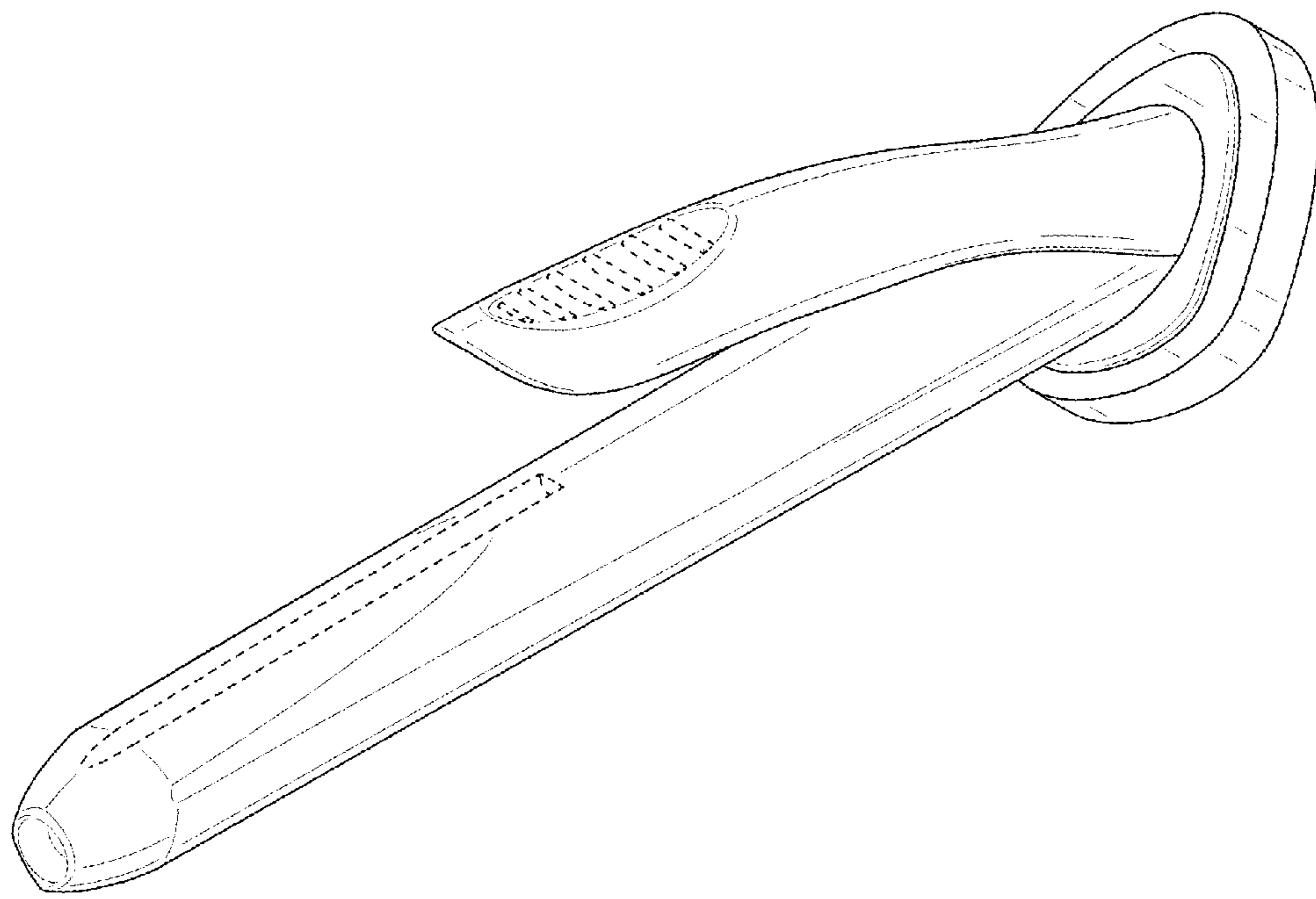
The ornamental design for an antiseptic applicator, as shown and described.

DESCRIPTION

FIG. 1 is a top perspective view of an antiseptic applicator showing my new design; FIG. 2 is a bottom perspective view of the design shown in FIG. 1; FIG. 3 is a right side view of the design shown in FIG. 1; FIG. 4 is a left side view of the design shown in FIG. 1; FIG. 5 is a rear view of the design shown in FIG. 1; FIG. 6 is a front view of the design shown in FIG. 1; FIG. 7 is a top view of the design shown in FIG. 1; and, FIG. 8 is a bottom view of the design shown in FIG. 1. The broken lines shown in FIGS. 1, 3, 4, 5, 6, and 7 illustrate portions of the antiseptic applicator that form no part of the claimed design.

1 Claim, 8 Drawing Sheets

- (56) **References Cited**
U.S. PATENT DOCUMENTS
7,866,907 B2* 1/2011 Cable, Jr. A61M 35/003 401/132
D645,610 S * 9/2011 Somers D28/7
8,556,529 B2* 10/2013 Law A61M 35/006 401/132
2004/0179888 A1* 9/2004 Tufts A45D 34/04 401/133
2006/0072959 A1* 4/2006 Tufts A45D 34/04 401/133



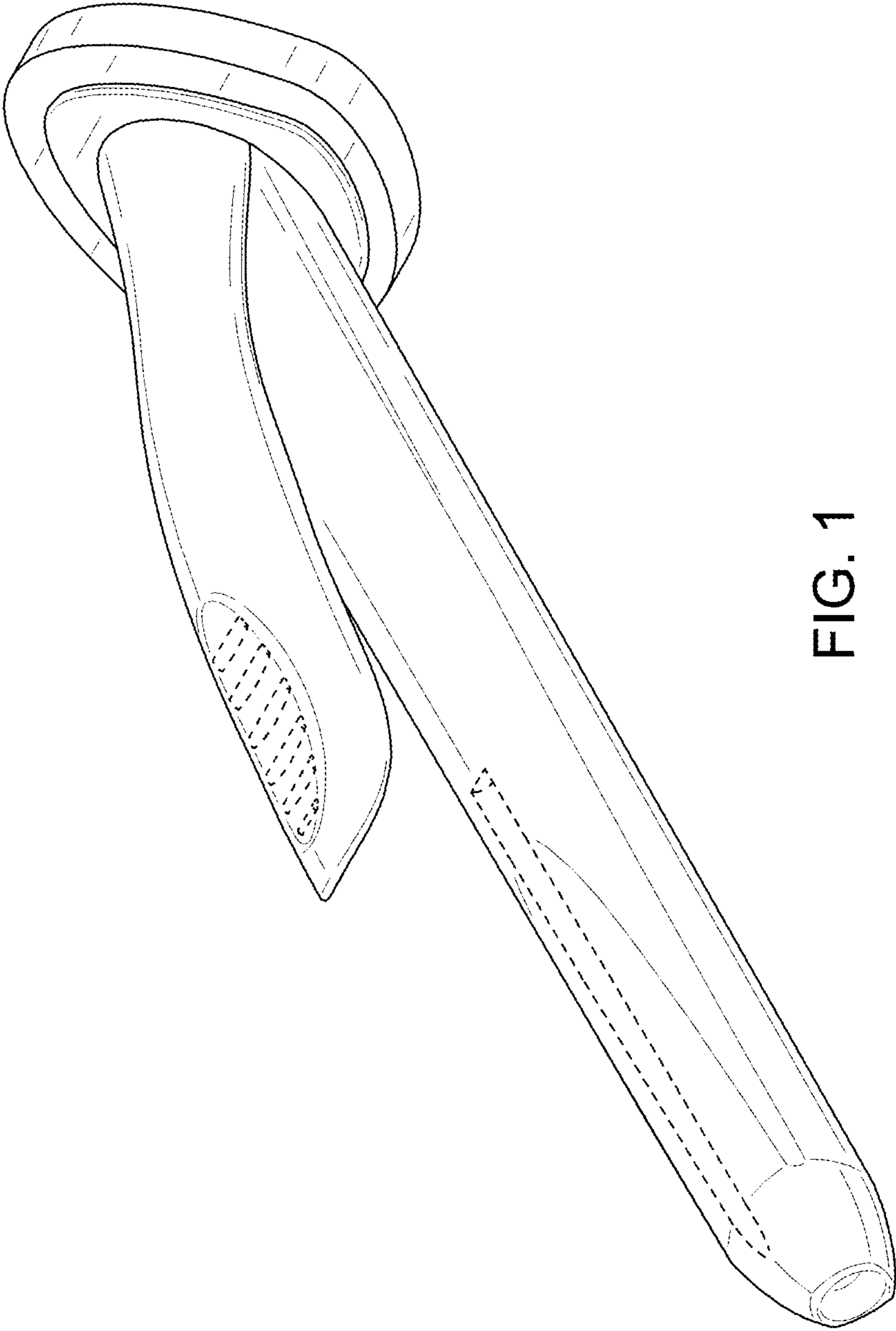


FIG. 1

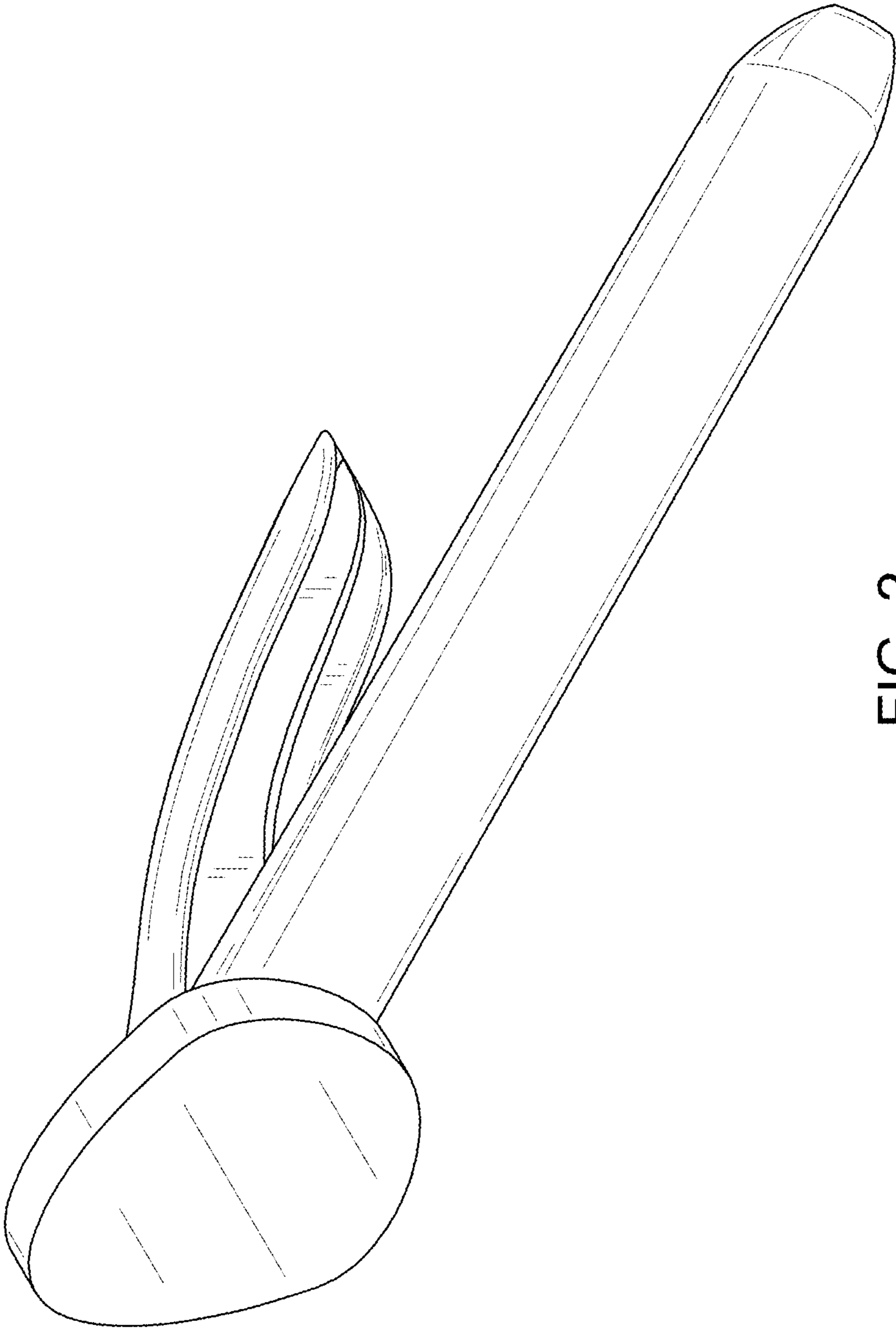


FIG. 2

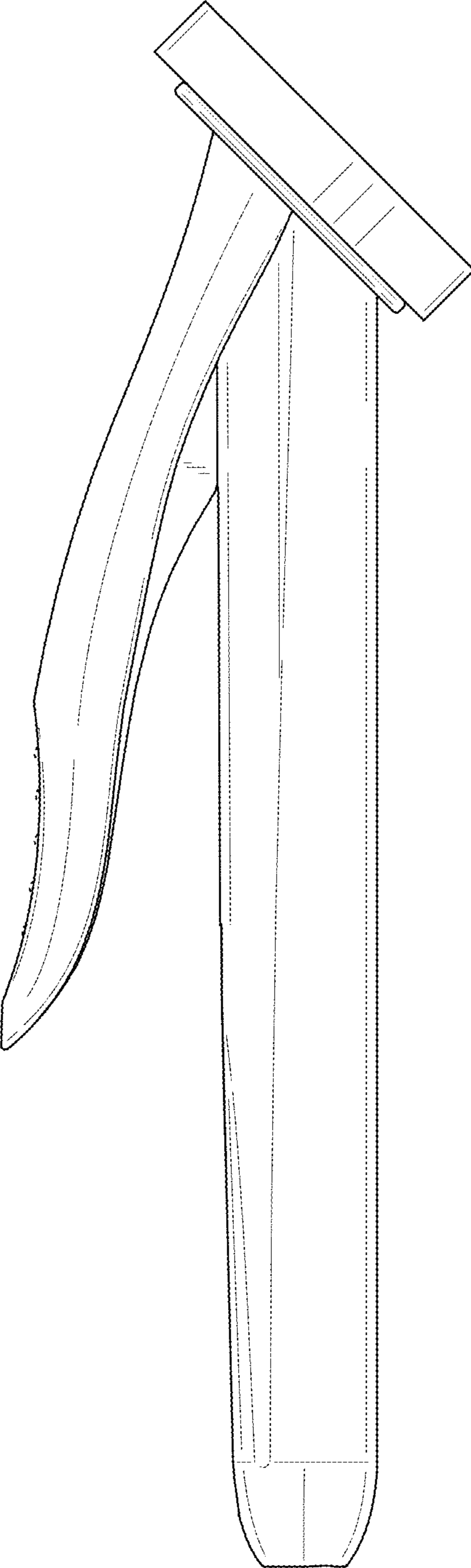


FIG. 3

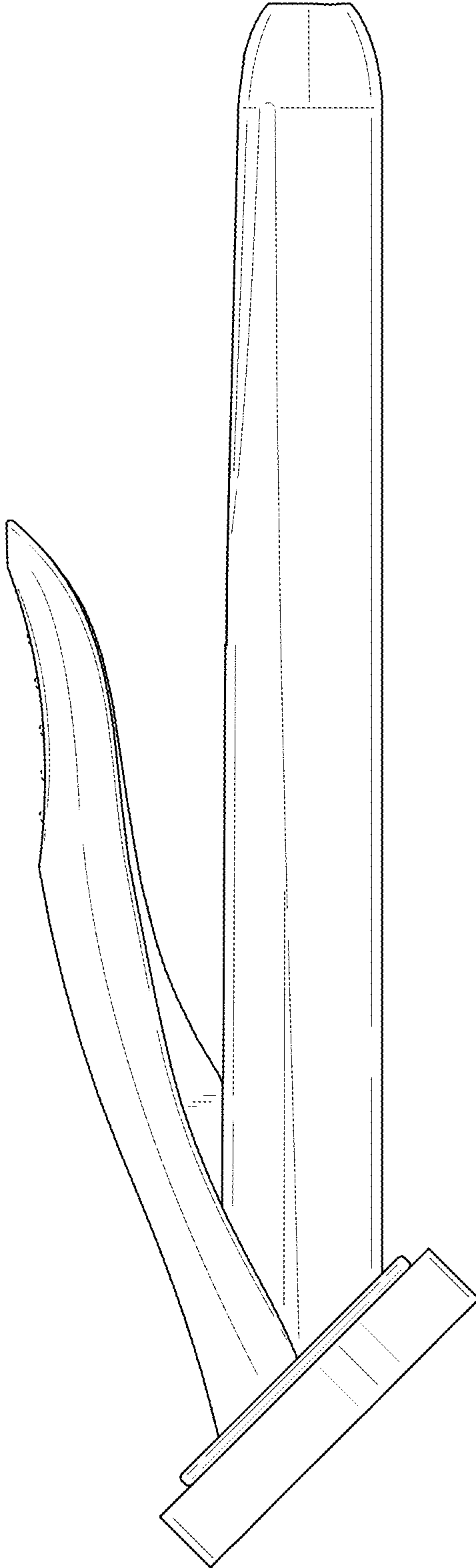


FIG. 4

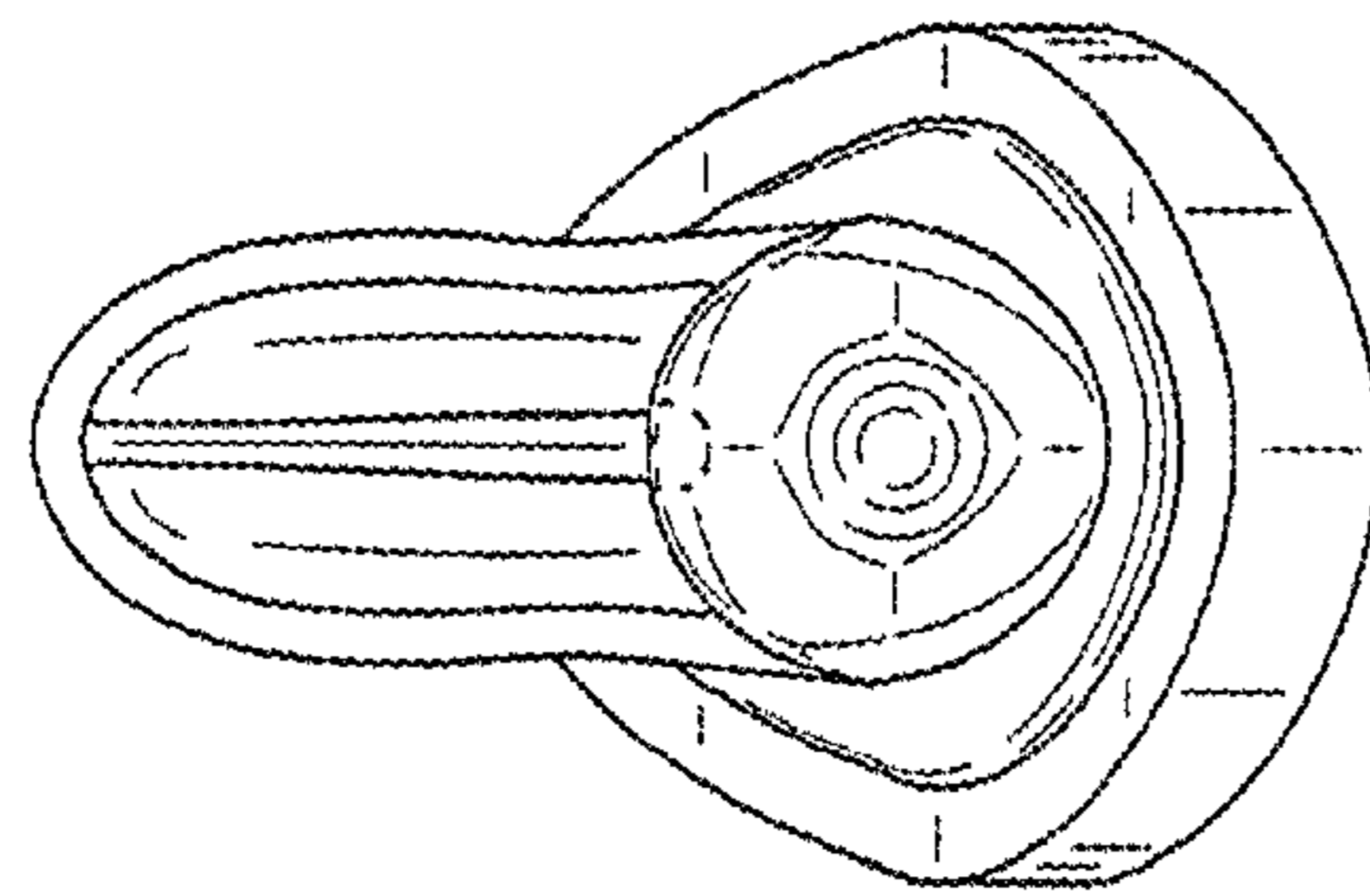


FIG. 5

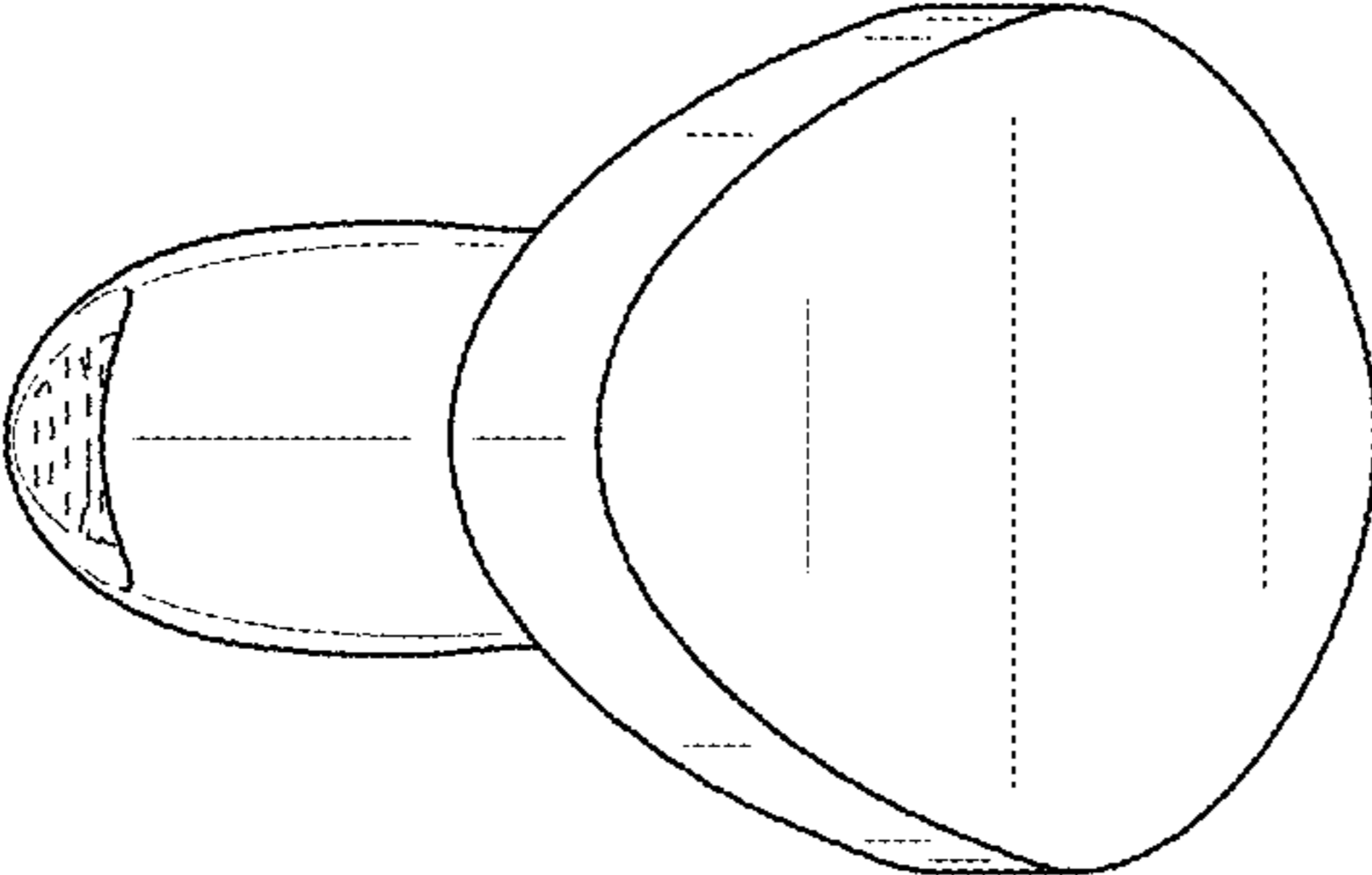


FIG. 6

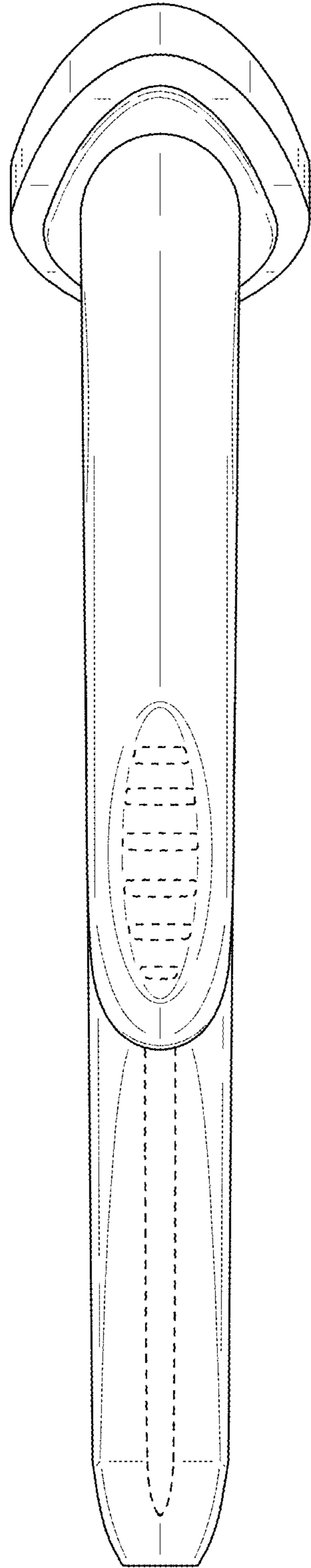


FIG. 7

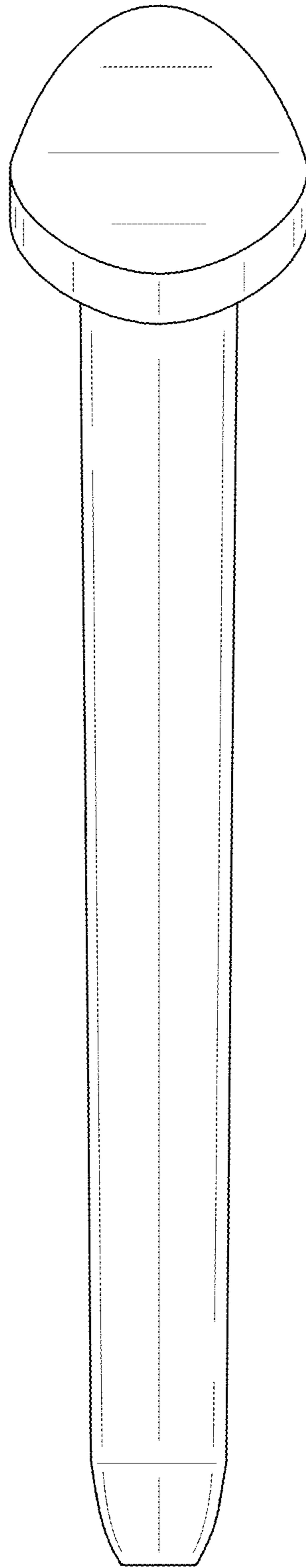


FIG. 8