



US00D791306S

(12) **United States Design Patent** (10) **Patent No.:** **US D791,306 S**
Clemente et al. (45) **Date of Patent:** **** Jul. 4, 2017**

(54) **DRUG DELIVERY PUMP**

FOREIGN PATENT DOCUMENTS

(71) Applicant: **UNITRACT SYRINGE PTY LTD,**
Sydney (AU)

CN 101557847 A 10/2009
CN 101631585 A 1/2010

(Continued)

(72) Inventors: **Matthew J. Clemente,** Downingtown, PA (US); **Ian B. Hanson,** Wayne, PA (US); **Paul F. Bente, IV,** Wayne, PA (US); **Ryan M. Agard,** Royersford, PA (US); **Nicholas J. Ciccarelli,** Philadelphia, PA (US); **Kun-Chi Wu,** Princeton, NJ (US)

OTHER PUBLICATIONS

European Patent Office, Communication Relating to the Results of the Partial International Search in International Application No. PCT/US2012/053241, 2 pages (Nov. 30, 2012).

(Continued)

(73) Assignee: **Unitract Syringe PTY LTD,** Sydney (AU)

Primary Examiner — Richelle G Shelton

(**) Term: **14 Years**

(74) *Attorney, Agent, or Firm* — Leydig, Voit & Mayer, Ltd.

(21) Appl. No.: **29/479,414**

(22) Filed: **Jan. 15, 2014**

(57) **CLAIM**

Related U.S. Application Data

The ornamental design for a drug delivery pump, as shown and described.

(60) Division of application No. 29/455,724, filed on May 23, 2013, now Pat. No. Des. 723,157, which is a continuation of application No. 13/796,156, filed on Mar. 12, 2013.

(51) **LOC (10) Cl.** **24-02**

DESCRIPTION

(52) **U.S. Cl.**
USPC **D24/111**

(58) **Field of Classification Search**
USPC D24/107, 108, 111; D15/7-9
CPC A61M 5/14244; A61M 5/14248; A61M 2005/14252; A61M 2005/14256; A61M 2005/1426; A61M 2005/14264; A61M 2005/14268; A61M 2005/14272
See application file for complete search history.

FIG. 1 is a top, left side isometric view of a drug delivery pump;
FIG. 2 is a bottom, left side isometric view thereof;
FIG. 3 is a top, left side isometric view thereof;
FIG. 4 is an end elevation view thereof;
FIG. 5 is the opposite end elevation view thereof;
FIG. 6 is a right side elevation view thereof;
FIG. 7 is a left side elevation view thereof;
FIG. 8 is a bottom plan view thereof; and,
FIG. 9 is a top plan view thereof.

(56) **References Cited**

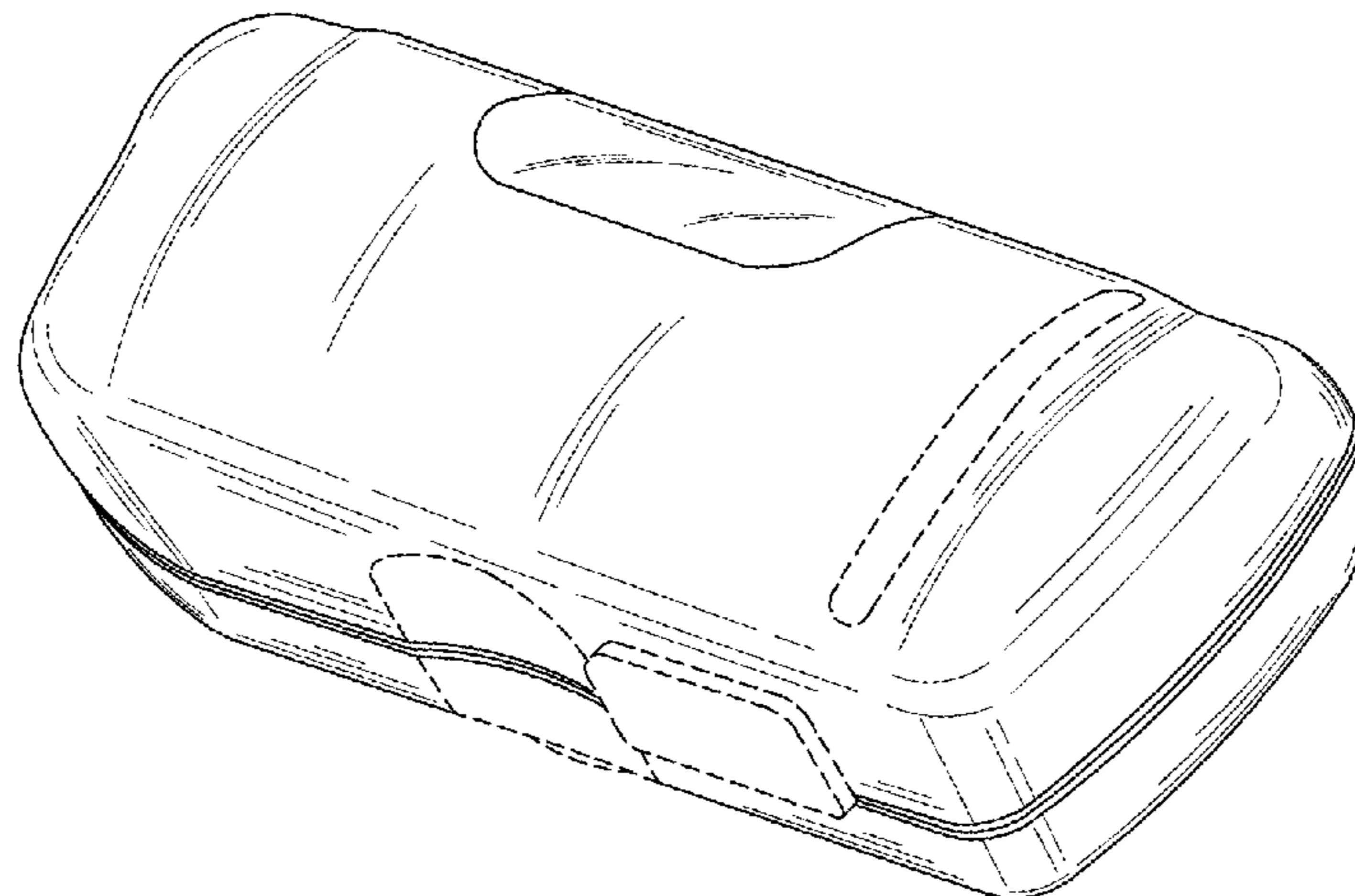
U.S. PATENT DOCUMENTS

4,004,586 A 1/1977 Christensen et al.
4,565,543 A 1/1986 Bekkering et al.
4,673,400 A 6/1987 Martin

The broken line showing portions of the article is included for the purpose of illustrating unclaimed subject matter with the line itself and the unshaded surfaces within forming no part of the claimed design.

(Continued)

1 Claim, 5 Drawing Sheets



(56)

References Cited

FOREIGN PATENT DOCUMENTS

U.S. PATENT DOCUMENTS

4,685,903 A 8/1987 Cable et al.
 4,755,173 A 7/1988 Konopka et al.
 4,840,620 A 6/1989 Kobayashi et al.
 5,167,816 A 12/1992 Kruger et al.
 5,795,339 A 8/1998 Erskine
 5,858,001 A 1/1999 Tsals et al.
 6,248,093 B1 6/2001 Moberg
 6,699,218 B2 3/2004 Flaherty et al.
 7,063,684 B2 6/2006 Moberg
 D564,087 S * 3/2008 Yodfat D24/108
 D585,543 S * 1/2009 Yodfat D24/111
 7,479,135 B2 1/2009 Richter et al.
 D586,463 S 2/2009 Evans et al.
 7,611,503 B2 11/2009 Spohn et al.
 7,780,636 B2 8/2010 Radmer et al.
 7,803,134 B2 9/2010 Sharifi et al.
 D629,503 S * 12/2010 Caffey et al. D24/108
 7,846,132 B2 12/2010 Gravesen et al.
 7,879,010 B2 2/2011 Hunn et al.
 7,905,859 B2 3/2011 Bynum et al.
 7,927,306 B2 * 4/2011 Cross A61M 5/1424
 604/151
 7,967,795 B1 6/2011 Cabiri
 8,029,472 B2 10/2011 Leinsing et al.
 8,048,031 B2 11/2011 Shaw et al.
 8,152,771 B2 4/2012 Mogensen et al.
 8,157,769 B2 4/2012 Cabiri
 8,162,892 B2 4/2012 Mogensen et al.
 8,167,844 B2 5/2012 Dillard, III
 8,187,232 B2 5/2012 Chong et al.
 D669,165 S * 10/2012 Estes D24/111
 D684,685 S * 6/2013 Schneider D24/108
 D684,686 S * 6/2013 Cronenberg D24/108
 D685,083 S * 6/2013 Schneider D24/108
 D709,183 S * 7/2014 Kemlein D24/111
 8,795,234 B2 8/2014 Kadamus et al.
 D723,157 S 2/2015 Clemente et al.
 9,005,169 B2 4/2015 Gravesen et al.
 D745,142 S 12/2015 O'Connor et al.
 D752,442 S 3/2016 O'Donahue
 2004/0092878 A1 5/2004 Flaherty
 2007/0010789 A1 1/2007 Peter et al.
 2007/0179444 A1 8/2007 Causey et al.
 2008/0132842 A1 6/2008 Flaherty
 2008/0269687 A1 * 10/2008 Chong A61L 15/58
 604/180
 2009/0124979 A1 5/2009 Raymond et al.
 2009/0204077 A1 8/2009 Hasted et al.
 2009/0240240 A1 9/2009 Hines et al.
 2011/0098652 A1 4/2011 Hasted et al.
 2011/0166509 A1 7/2011 Gross et al.
 2011/0270188 A1 11/2011 Caffey et al.
 2012/0035546 A1 * 2/2012 Cabiri A61M 5/1424
 604/151
 2012/0123354 A1 5/2012 Woehr
 2013/0060196 A1 3/2013 O'Connor et al.
 2013/0066274 A1 * 3/2013 O'Connor A61M 5/1452
 604/151

EP 589328 A2 3/1994
 EP 1702635 A2 9/2006
 EP 1341569 B1 1/2007
 EP 1427471 B1 2/2008
 EP 1695727 B1 7/2008
 EP 2077128 A1 7/2008
 EP 1513580 B1 3/2009
 EP 2379134 A1 10/2011
 EP 2429612 A1 3/2012
 EP 2433663 A1 3/2012
 JP 2010-501281 A 1/2010
 JP 2010-531196 A 9/2010
 WO WO 99/48546 A1 9/1999
 WO WO 03/024504 A2 3/2003
 WO WO 03/103763 A1 12/2003
 WO WO 2004/062714 A1 7/2004
 WO WO 2005/037350 A2 4/2005
 WO WO 2008/024808 A2 2/2008
 WO WO 2010-029054 A1 3/2010
 WO WO 2010/077807 A1 7/2010
 WO WO 2010/084113 A1 7/2010
 WO WO 2010/085338 A1 7/2010
 WO WO 2010/112377 A1 10/2010
 WO WO 2010/132196 A1 11/2010
 WO WO 2011/006652 A1 1/2011
 WO WO 2011-046950 A1 4/2011
 WO WO 2011/090956 A2 7/2011
 WO WO 2011/121023 A1 10/2011
 WO WO 2012-032411 A2 3/2012
 WO WO 2012/131044 A1 10/2012
 WO WO 2013-033467 A2 3/2013

OTHER PUBLICATIONS

European Patent Office, International Search Report in International Application No. PCT/US2012/053174, 4 pages (Mar. 28, 2013).
 European Patent Office, International Search Report in International Application No. PCT/US2012/053241, 6 pages (Feb. 28, 2013).
 European Patent Office, International Search Report in International Patent Application No. PCT/US2012/054861, 8 pages, (Feb. 18, 2013).
 European Patent Office, Written Opinion of the International Searching Authority in International Application No. PCT/US2012/053174, 6 pages (Mar. 28, 2013).
 European Patent Office, Written Opinion of the International Searching Authority in International Application No. PCT/US2012/053241, 8 pages (Feb. 28, 2013).
 Preliminary Amendment and Application Data Sheet Filed in National Phase of WO 2011/090956 A2 (U.S. Appl. No. 13/521,181) (Jul. 9, 2012).
 U.S. Appl. No. 29/453,258, filed Apr. 26, 2013.
 U.S. Appl. No. 29/455,724, filed Mar. 23, 2013.
 U.S. Appl. No. 13/600,114, filed Aug. 30, 2012.
 U.S. Appl. No. 13/612,203, filed Sep. 12, 2012.
 U.S. Appl. No. 13/599,727, filed Aug. 30, 2012.
 U.S. Appl. No. 13/796,156, filed Mar. 12, 2013.
 European Patent Office, International Search Report and Written Opinion in International Patent Application No. PCT/US2013/030478, mailed Nov. 18, 2013, 11 pages.

* cited by examiner

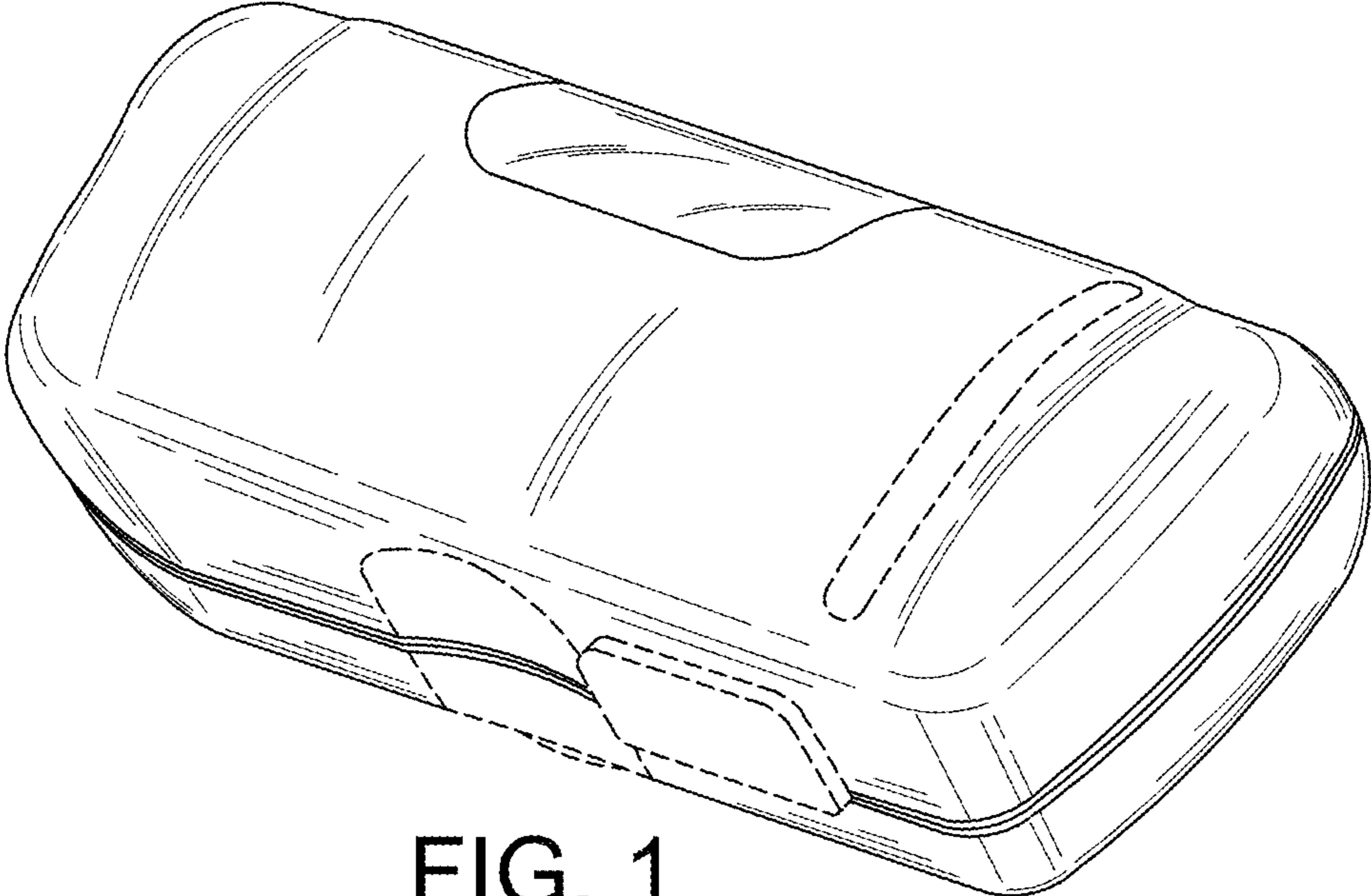


FIG. 1

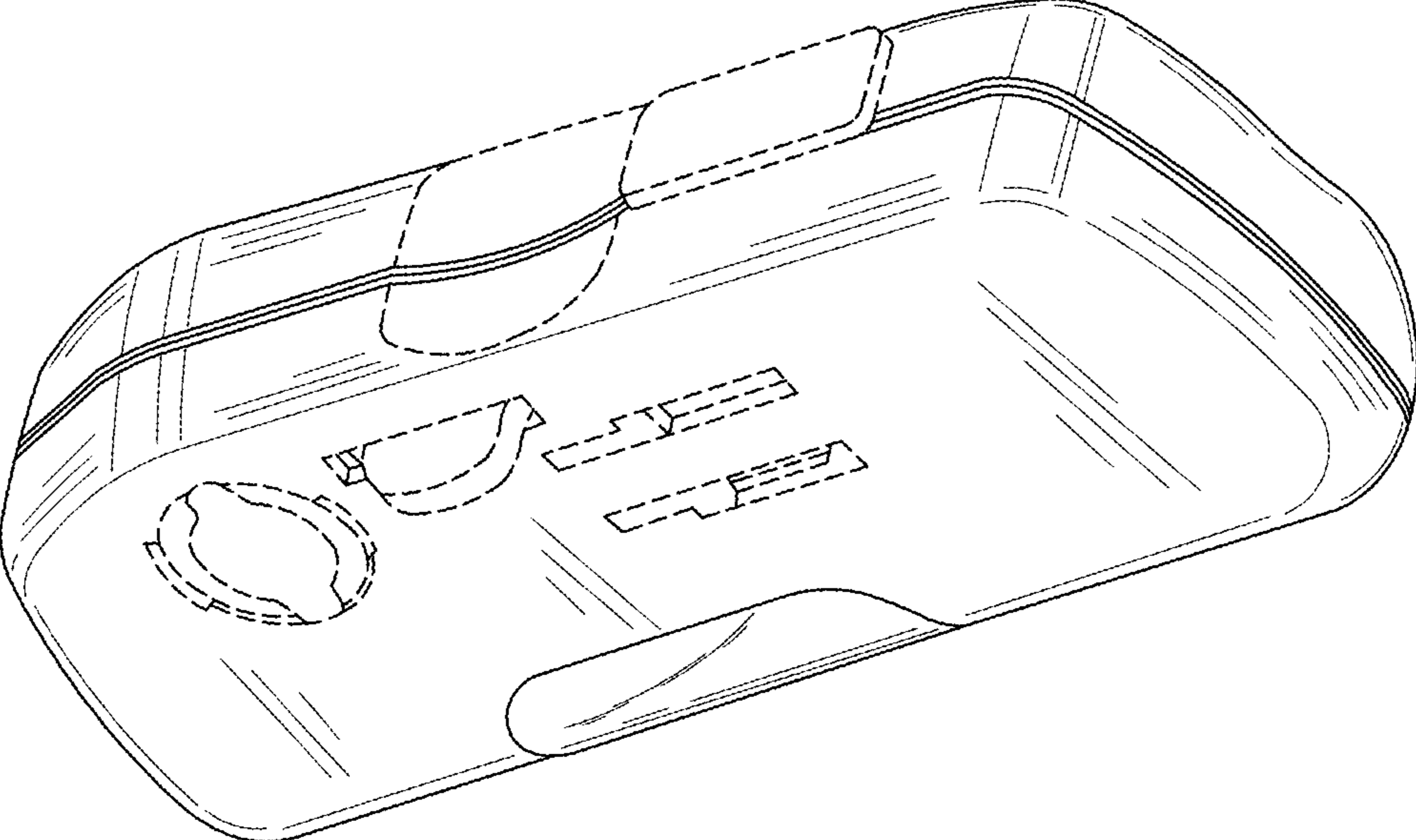


FIG. 2

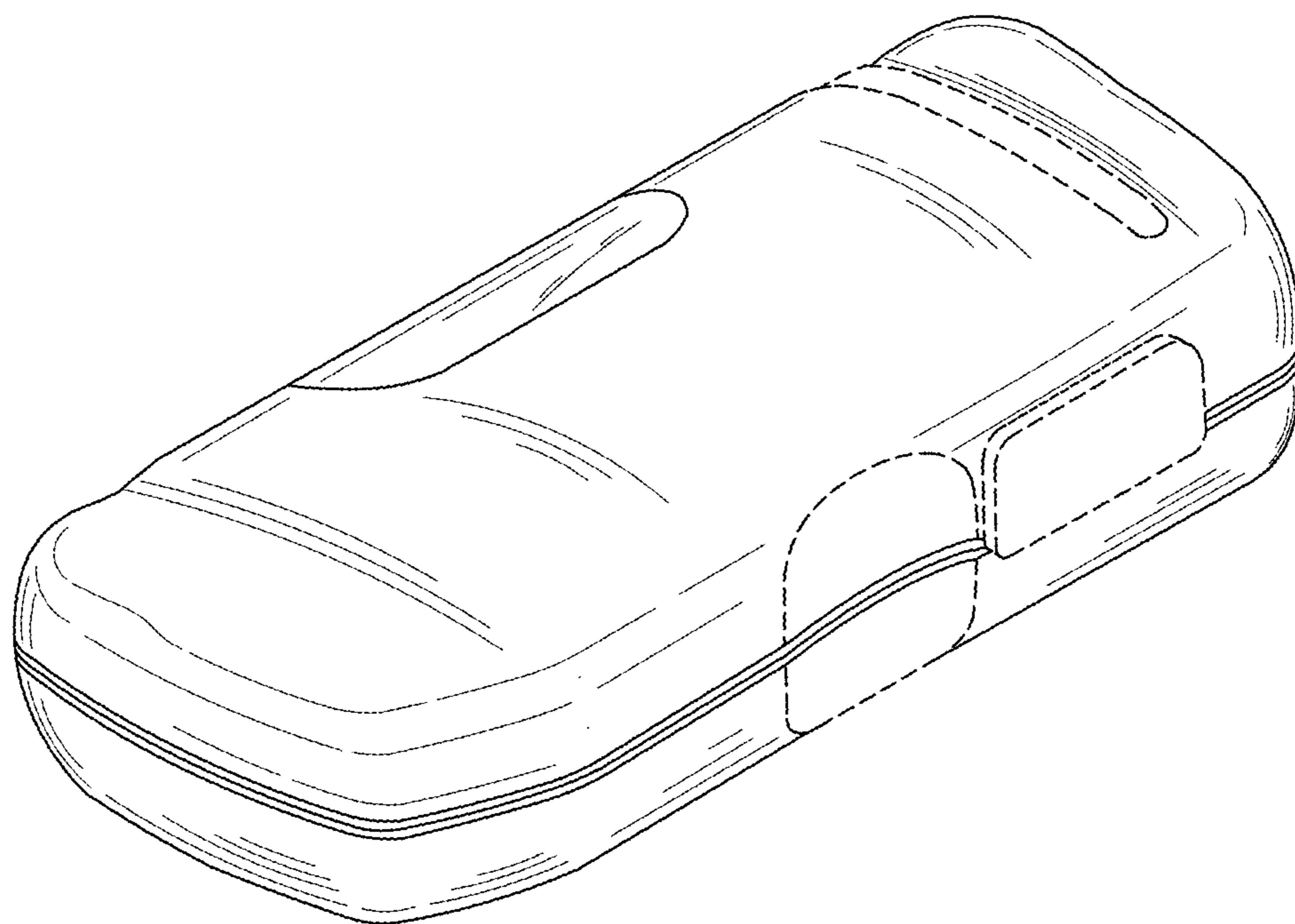


FIG. 3

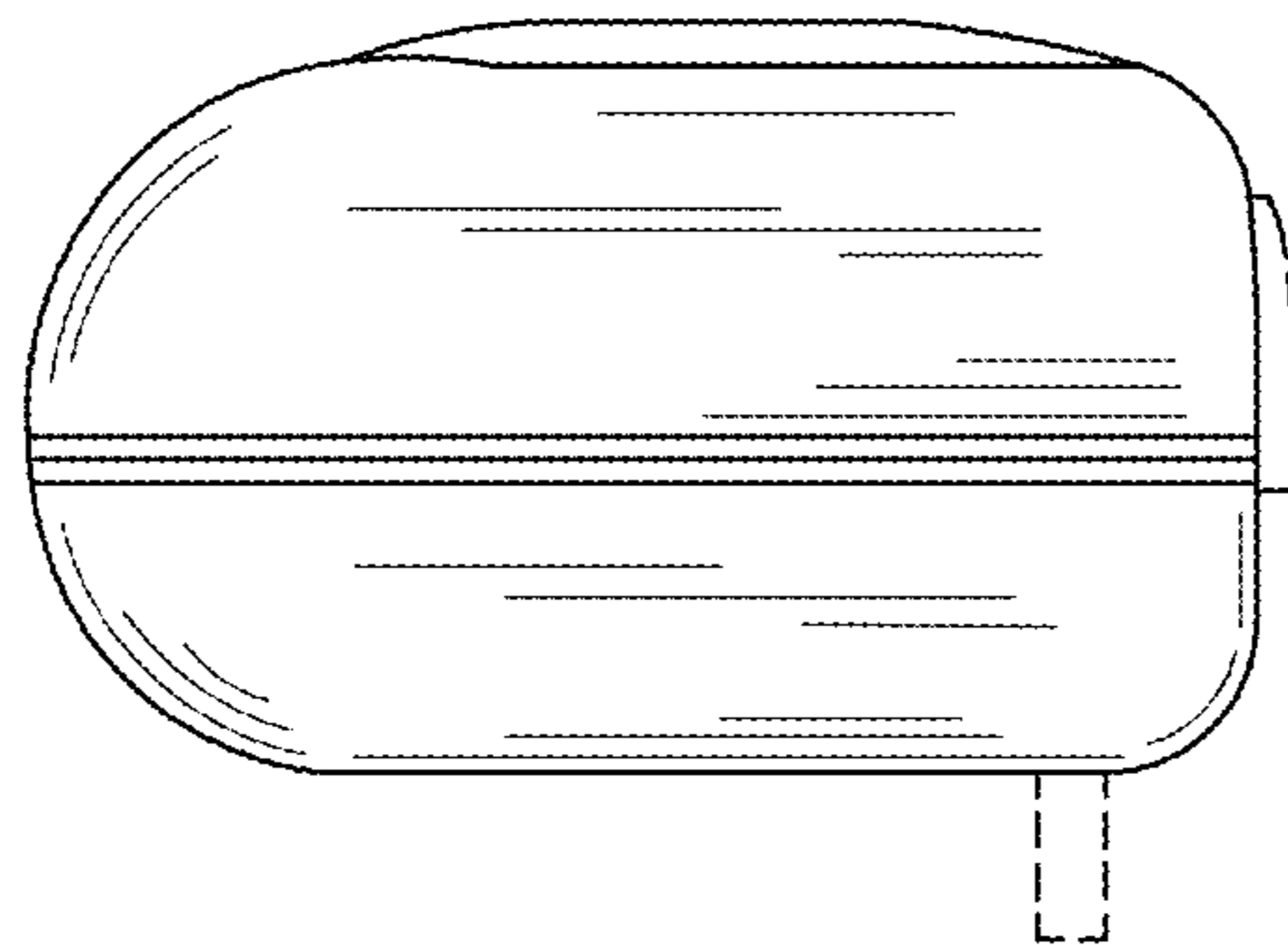


FIG. 4

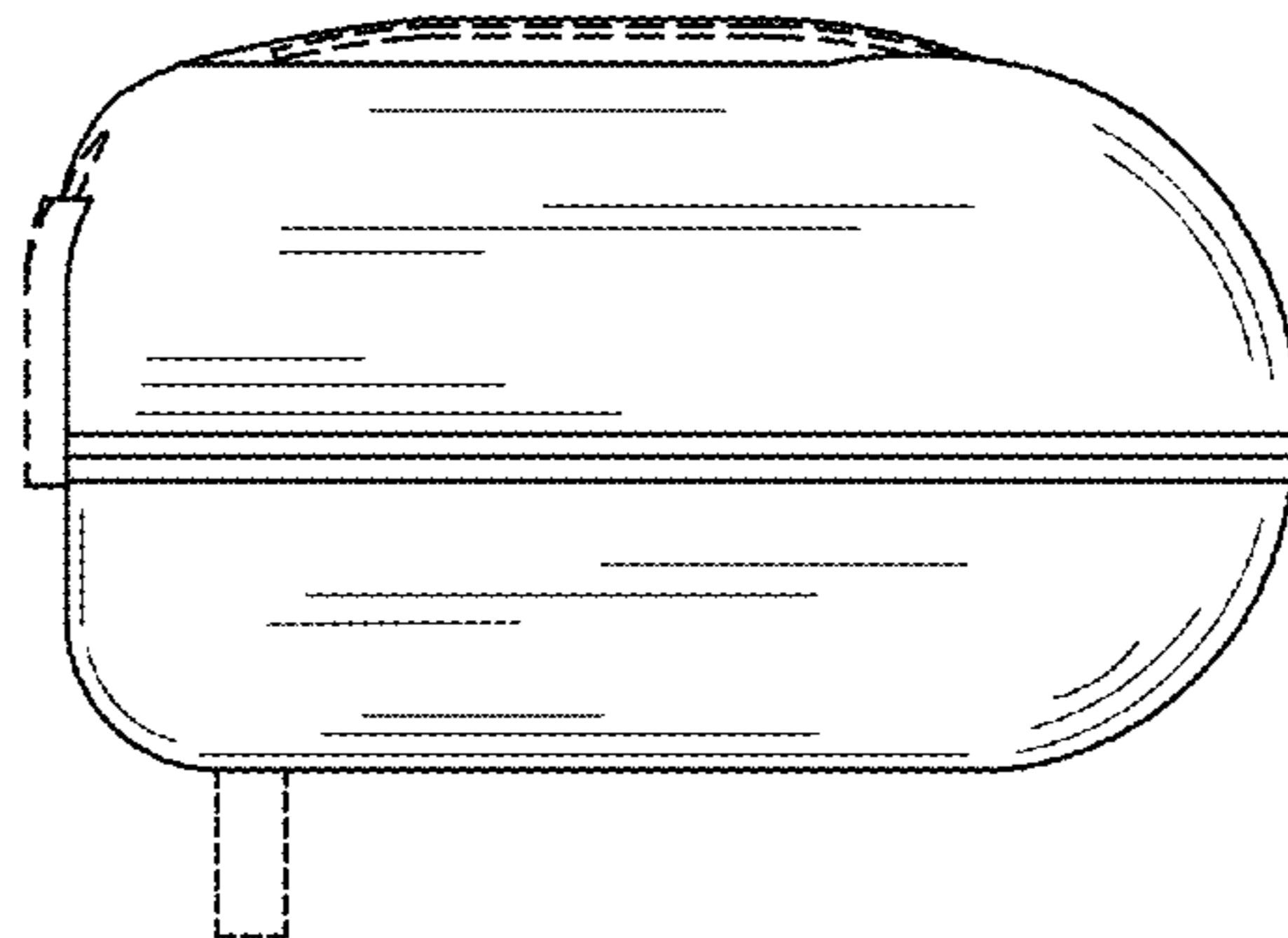


FIG. 5

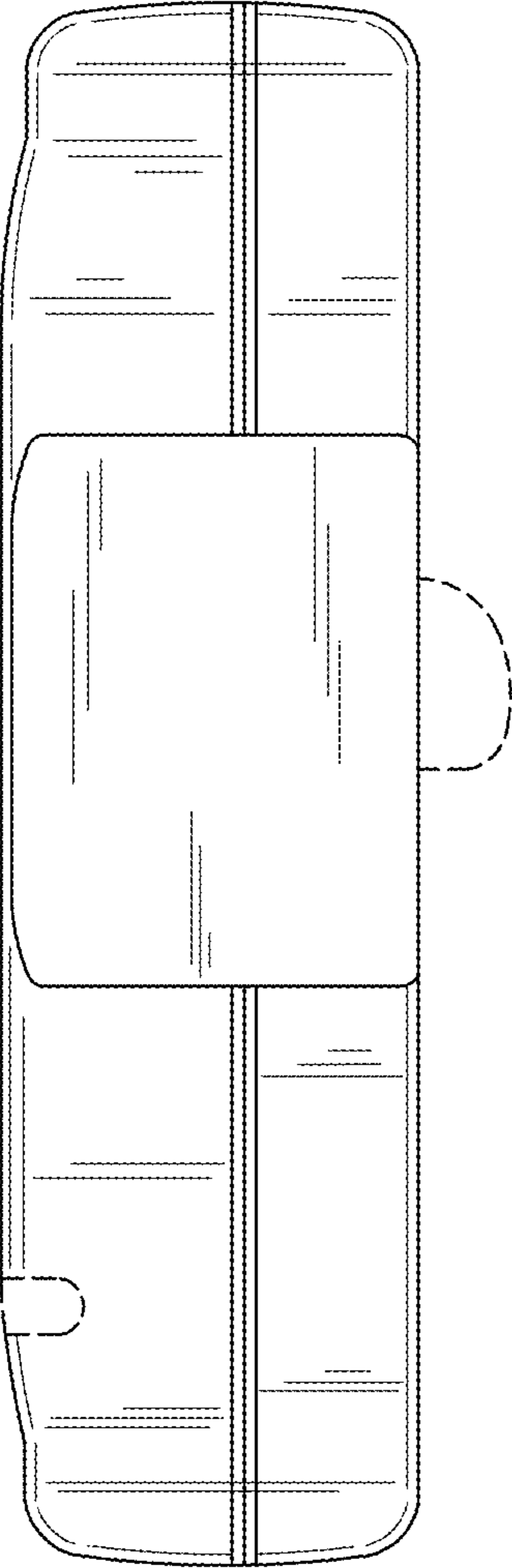


FIG. 6

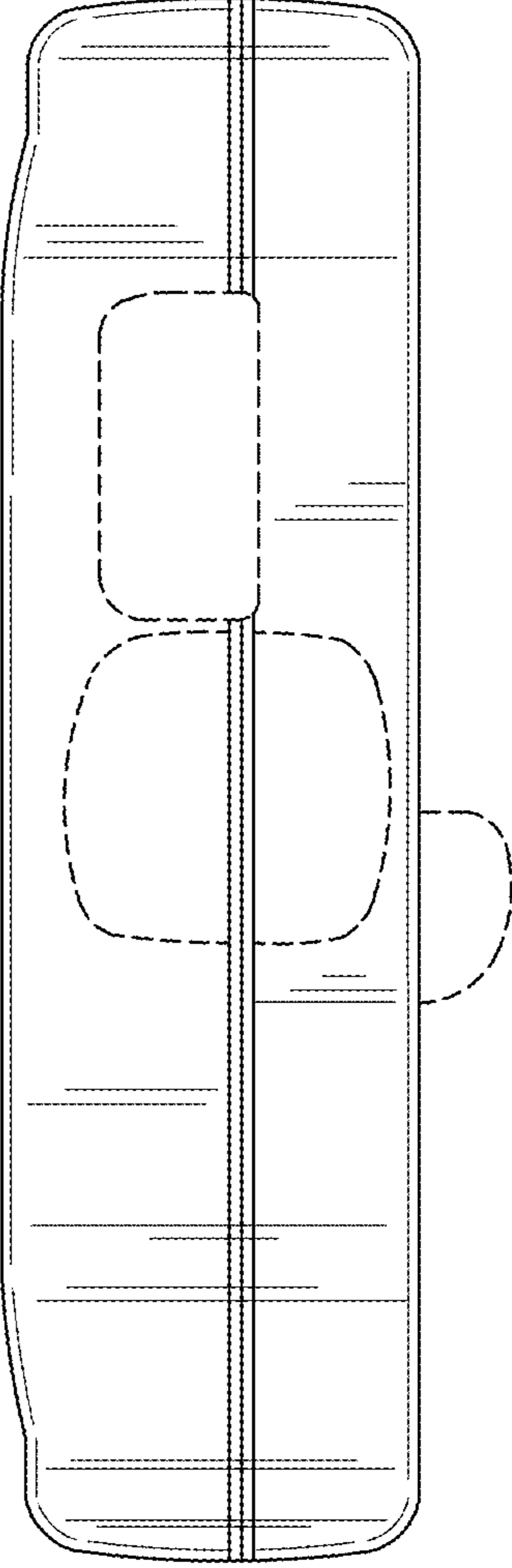


FIG. 7

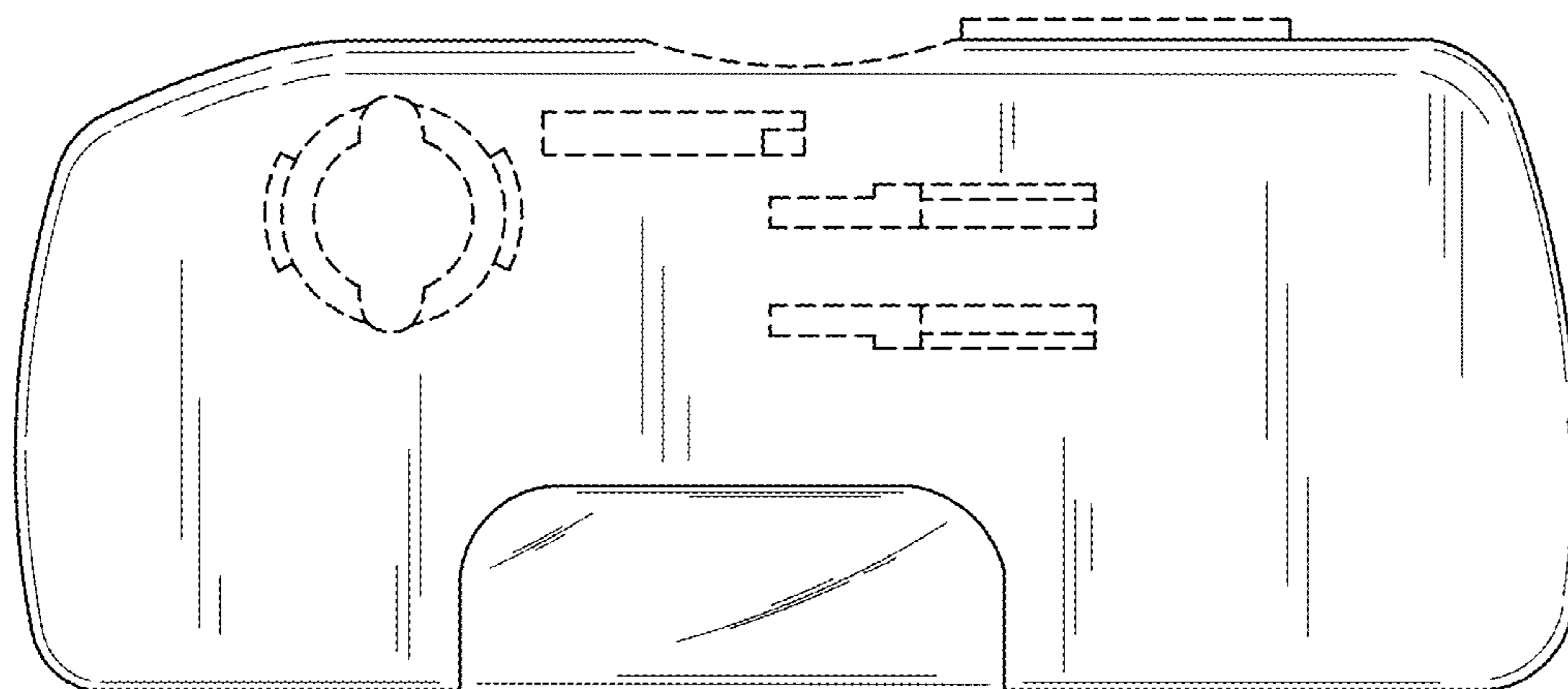


FIG. 8

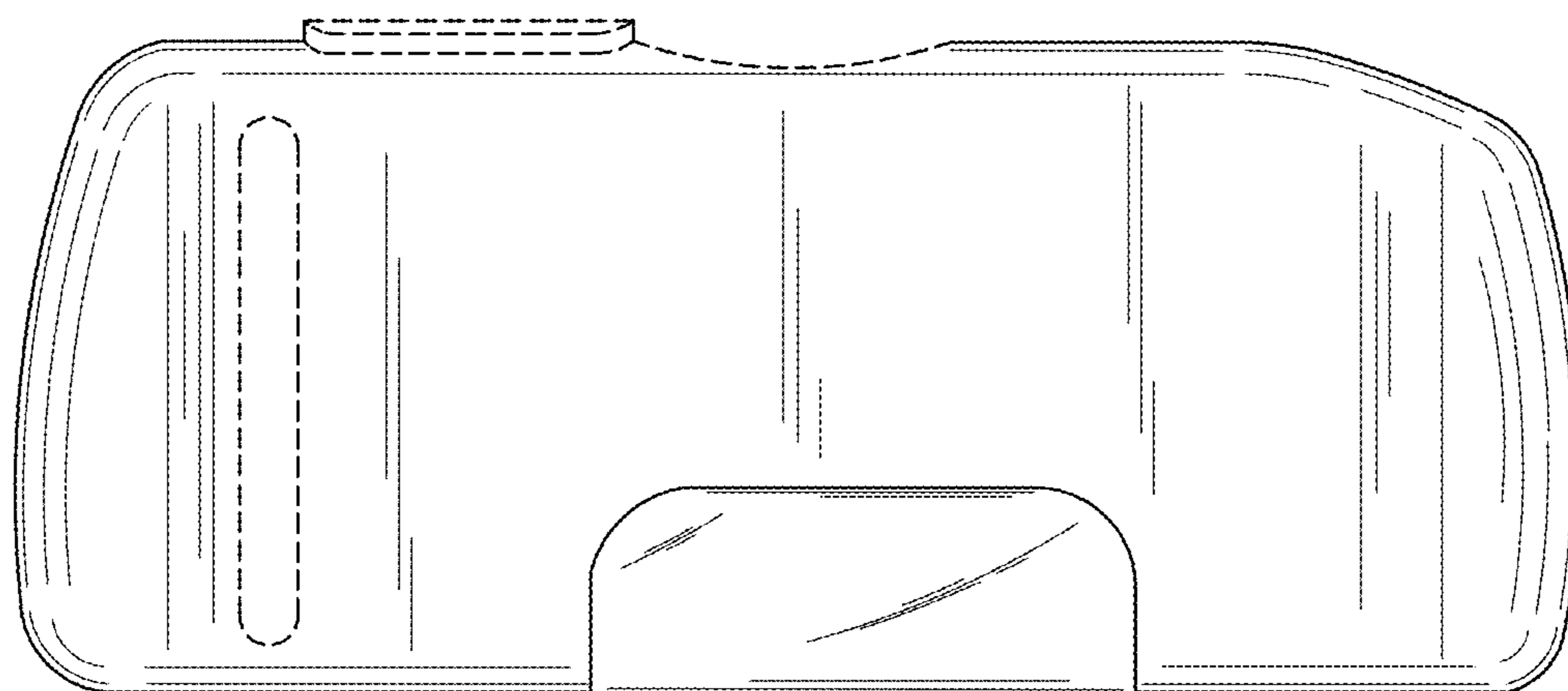


FIG. 9