



US00D791305S

(12) **United States Design Patent** (10) **Patent No.:** **US D791,305 S**
Poulsen et al. (45) **Date of Patent:** **** Jul. 4, 2017**

(54) **LARYNGEAL MASK**
(71) Applicant: **Teleflex Life Sciences**, Hamilton (BM)
(72) Inventors: **Sylwia Ewa Krol Poulsen**, Marina Bay (SG); **Hian Teck Poh**, Singapore (SG)
(73) Assignee: **TELEFLEX LIFE SCIENCES UNLIMITED COMPANY**, Hamilton (BM)
(**) Term: **14 Years**
(21) Appl. No.: **29/503,396**
(22) Filed: **Sep. 25, 2014**
(30) **Foreign Application Priority Data**

Mar. 28, 2014 (EP) 001408132
(51) **LOC (10) Cl.** **29-02**
(52) **U.S. Cl.**
USPC **D24/110.5**
(58) **Field of Classification Search**
USPC D24/107, 108, 110, 127, 164
CPC A61M 16/0409; A61M 16/04; A61M 16/0445; A61M 16/0447; A61M 16/0493; A61M 16/0486; A61M 2210/0656
See application file for complete search history.

(56) **References Cited**
U.S. PATENT DOCUMENTS
5,477,851 A * 12/1995 Callaghan A61M 16/0409 128/200.23
D518,572 S * 4/2006 Nasir D24/110.5
D611,138 S * 3/2010 Nasir D24/110.5
D615,188 S * 5/2010 Nasir D24/110.5
D618,788 S * 6/2010 Dubach D24/110.5
D665,495 S * 8/2012 Nasir D24/110.5
8,590,535 B2 * 11/2013 Dubach A61M 16/04 128/200.26

D710,990 S * 8/2014 Brain D24/110.5
D716,937 S * 11/2014 Brain D24/110.5
2008/0099026 A1 * 5/2008 Chang A61M 16/0493 128/207.15
2008/0308109 A1 * 12/2008 Brain A61M 16/04 128/207.14
2013/0247917 A1 * 9/2013 Brain A61M 16/0488 128/207.15
2013/0269689 A1 * 10/2013 Brain A61M 16/04 128/200.26
2015/0209538 A1 * 7/2015 Hansen A61M 16/0816 128/207.15
2015/0246196 A1 * 9/2015 Hansen B29D 23/00 128/207.15
2016/0008562 A1 * 1/2016 Sagales Manas A61B 1/267 600/109

(Continued)

Primary Examiner — Barbara Fox
Assistant Examiner — Lilyana Bekic
(74) *Attorney, Agent, or Firm* — Knobbe Martens Olson & Bear LLP

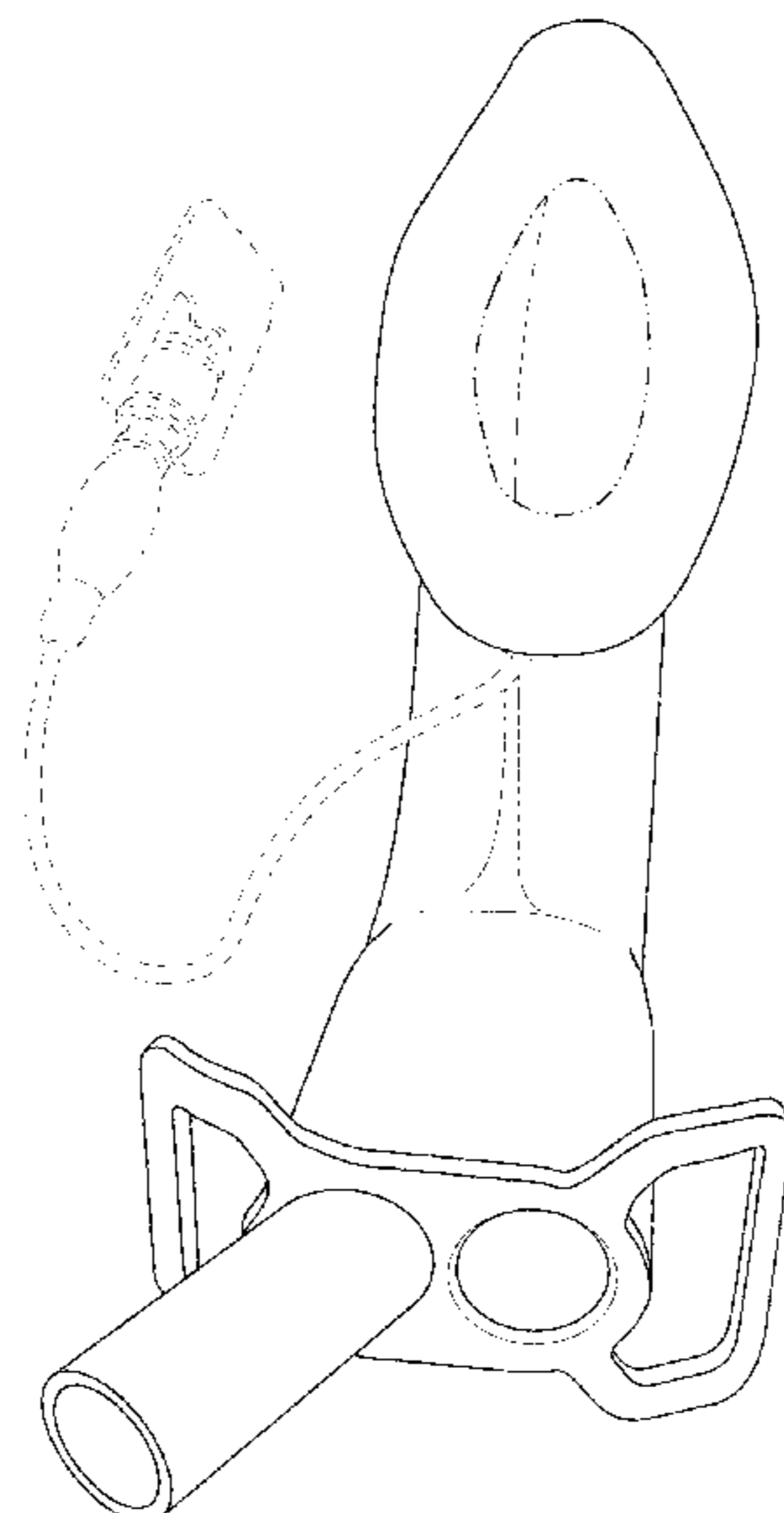
(57) **CLAIM**

The ornamental design for a laryngeal mask, as shown and described.

DESCRIPTION

FIG. 1 is a perspective view of a laryngeal mask showing my new design.
FIG. 2 is a top plan view thereof.
FIG. 3 is a back plan view thereof.
FIG. 4 is a first side view thereof.
FIG. 5 is a second side view thereof.
FIG. 6 is a front plan view thereof; and,
FIG. 7 is a bottom plan view thereof.
The evenly broken lines in the drawings illustrate portions of the laryngeal mask that form no part of the claimed design. The dot-dot-dash broken lines in FIGS. 1 and 2 indicate boundary lines which enclose areas that form no part of the claimed design.

1 Claim, 7 Drawing Sheets



(56)

References Cited

U.S. PATENT DOCUMENTS

2016/0101254 A1* 4/2016 Hansen A61M 16/0409
128/207.15

* cited by examiner

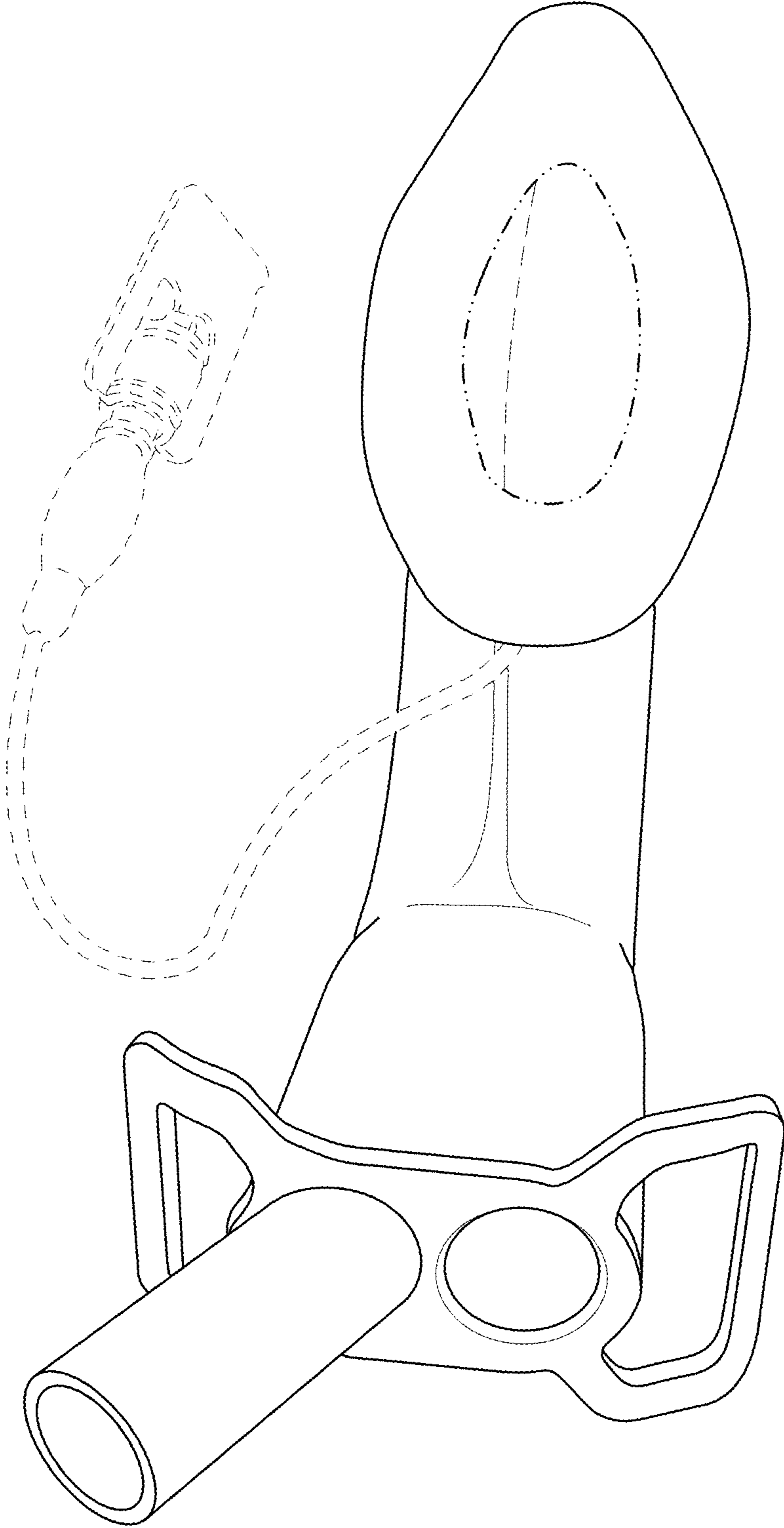


FIG. 1

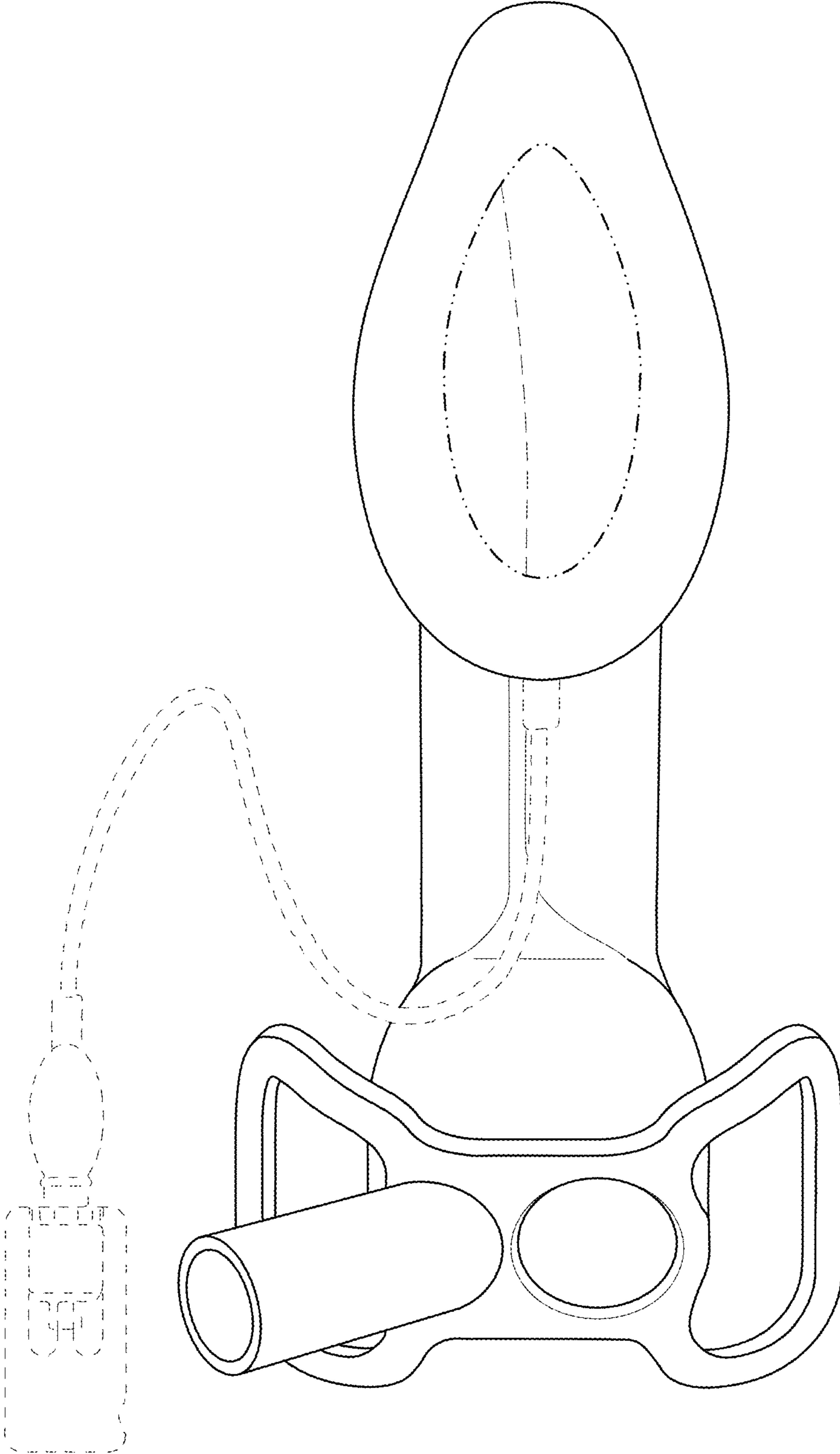


FIG. 2

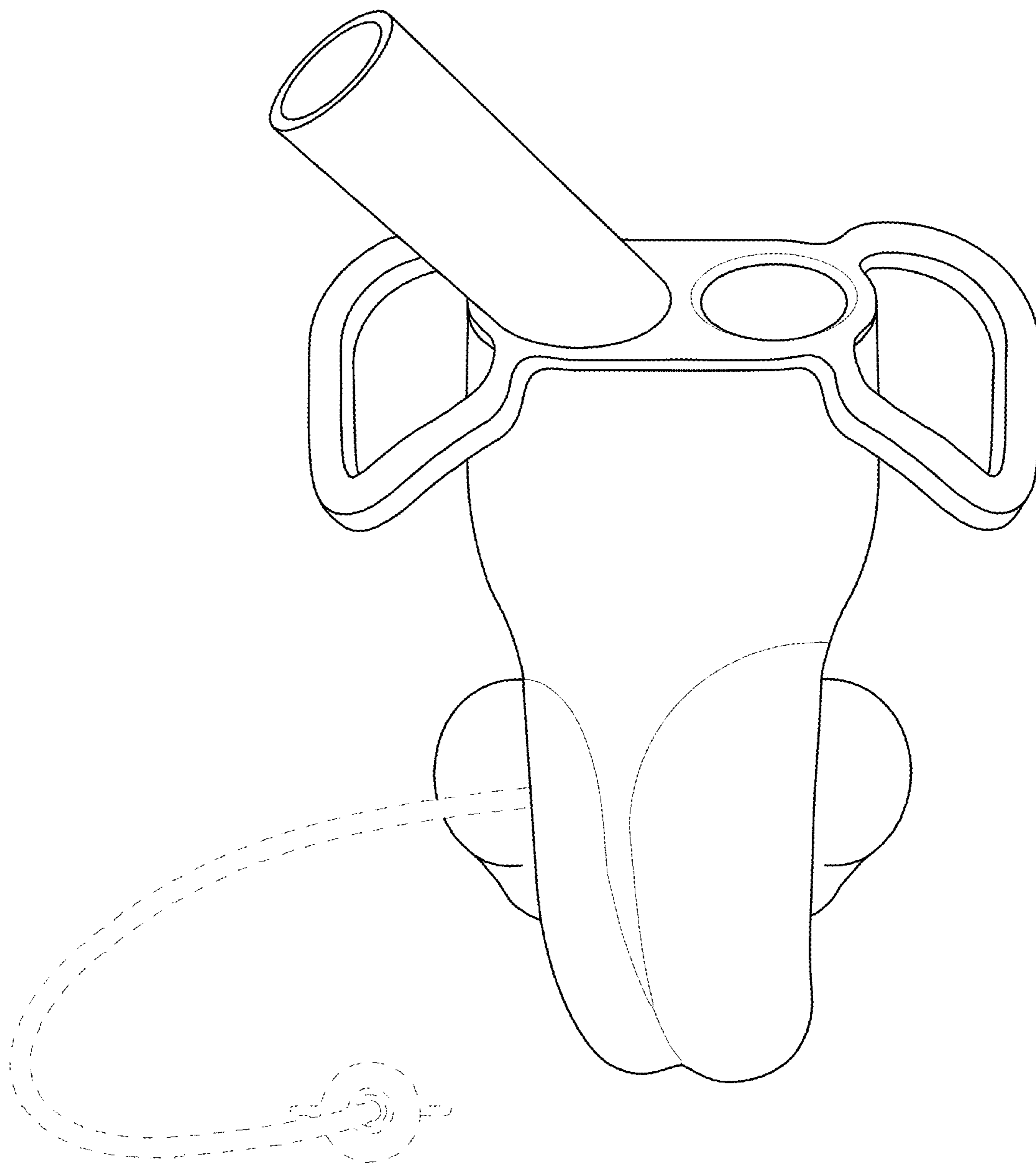


FIG. 3

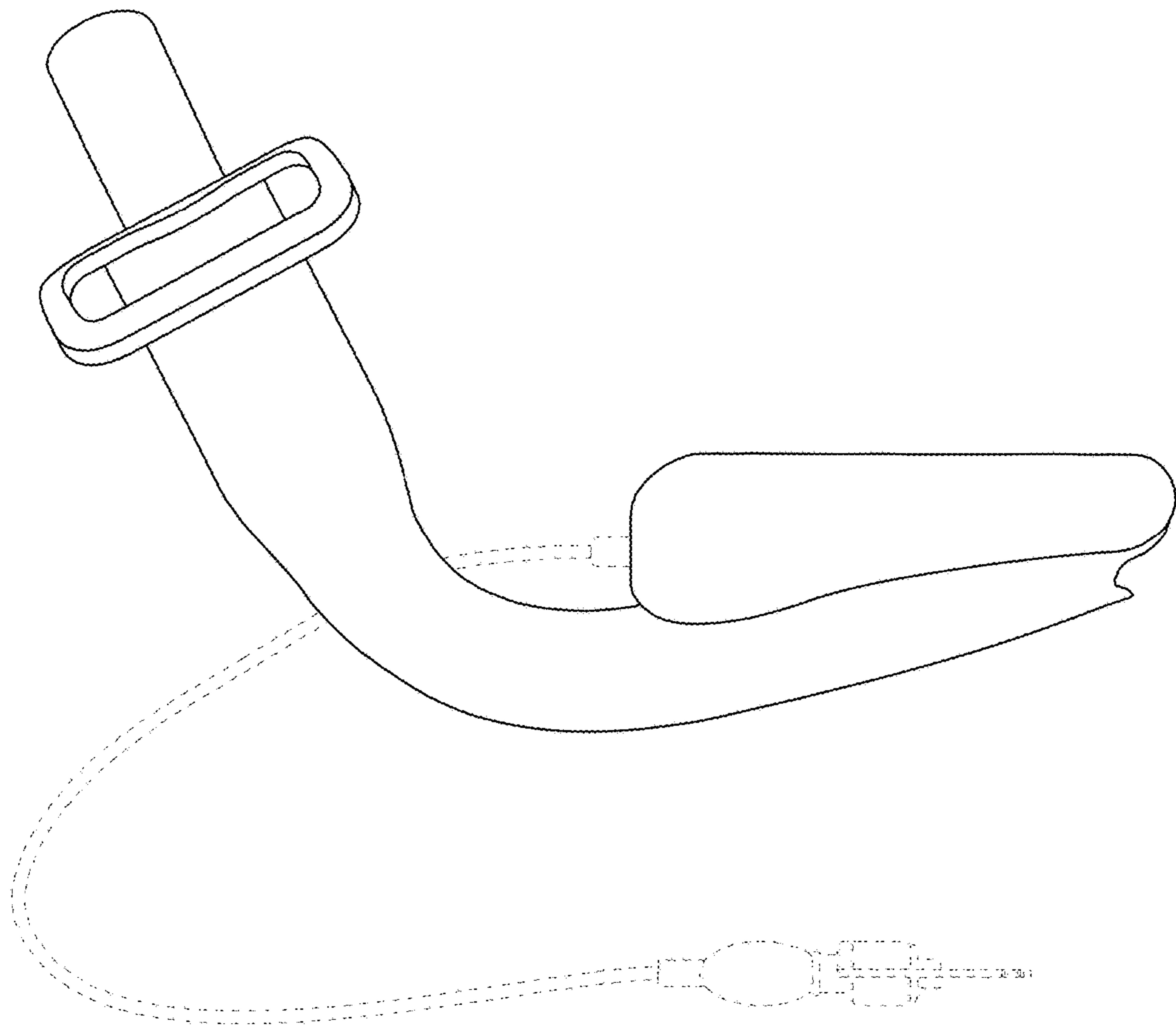


FIG. 4

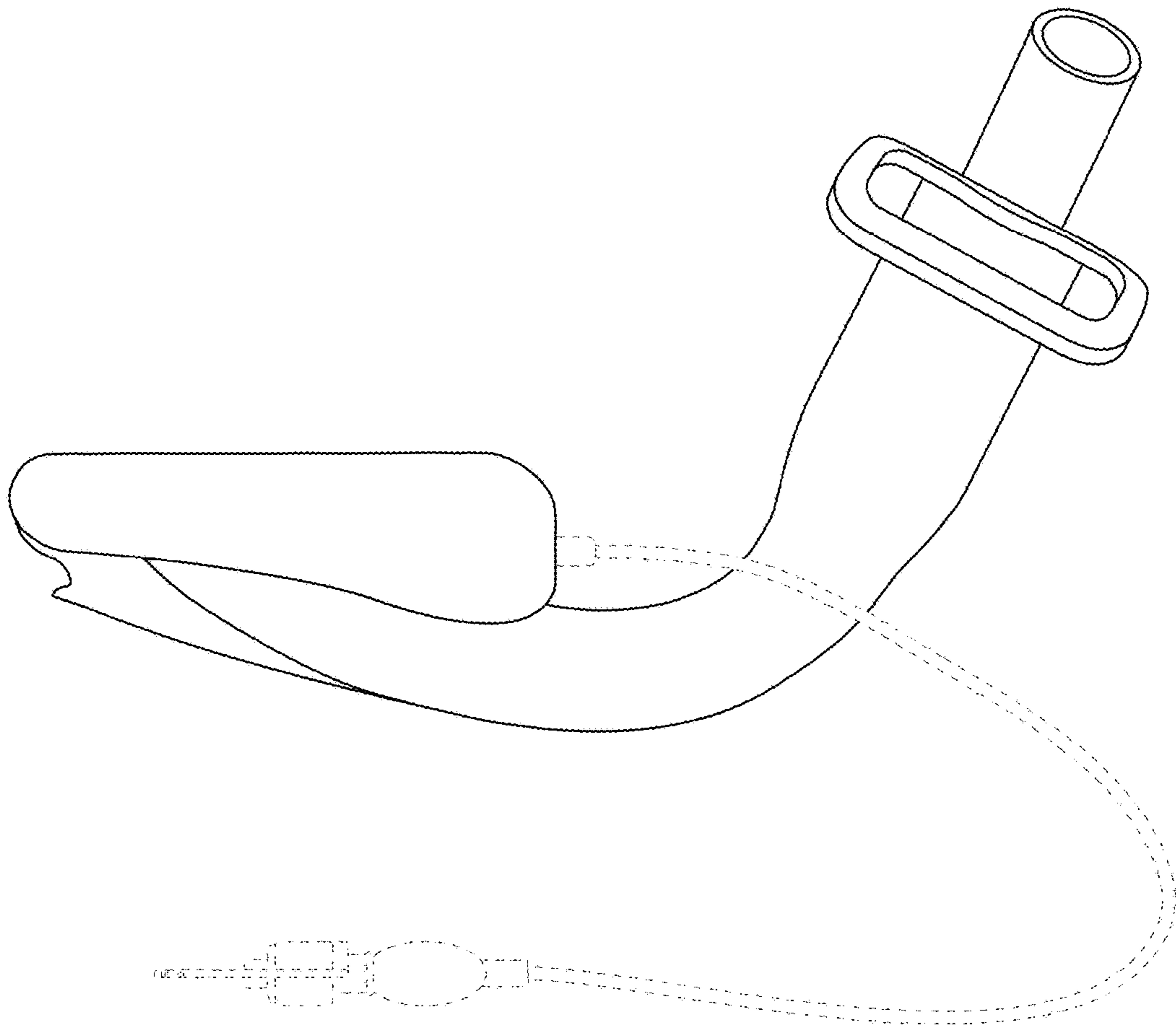


FIG. 5

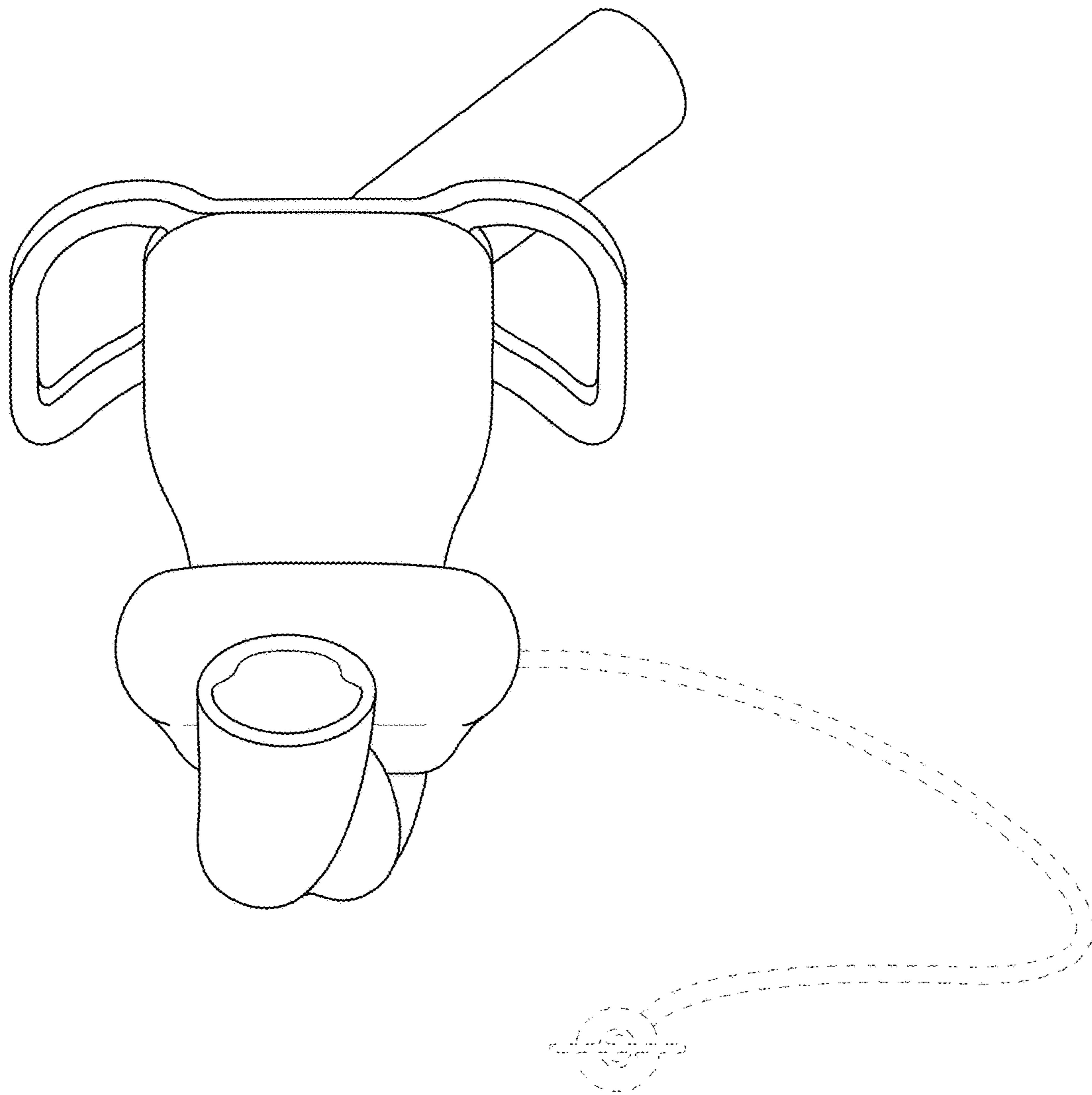


FIG. 6

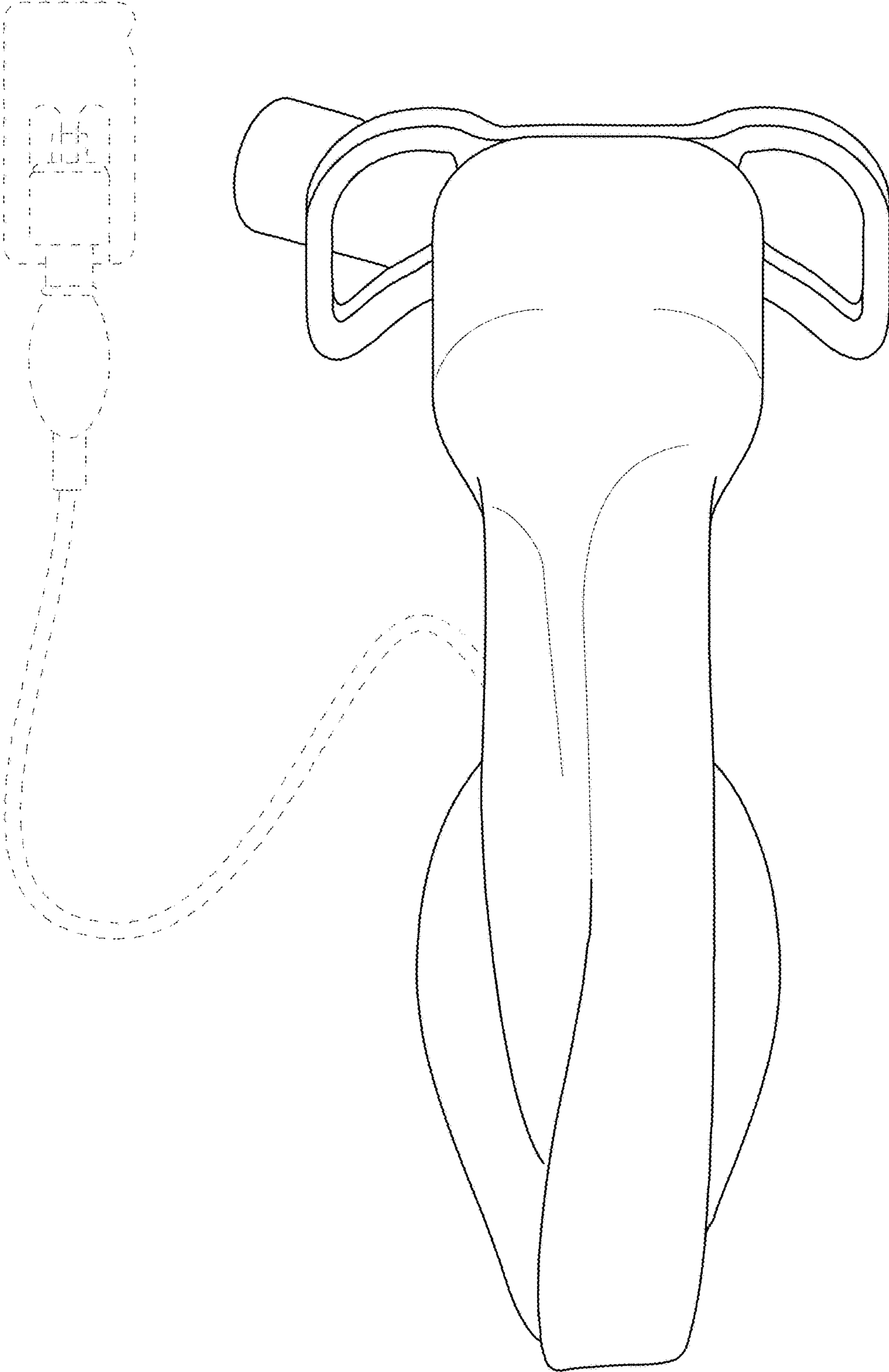


FIG. 7