



US00D791304S

(12) **United States Design Patent**
Yokoyama

(10) **Patent No.:** **US D791,304 S**
(45) **Date of Patent:** **** Jul. 4, 2017**

(54) **OXYGEN MASK** 5,474,060 A * 12/1995 Evans A61B 5/097
128/204.22
(71) Applicant: **Brilliant Group Headquarters Co., Ltd., Nagano (JP)** 5,586,551 A 12/1996 Hilliard
5,758,642 A * 6/1998 Choi A61M 16/06
128/205.25

(72) Inventor: **Mitsuhiro Yokoyama, Nagano (JP)**
(73) Assignee: **BRILLIANT GROUP HEADQUARTERS CO., LTD., Nagano (JP)**

(Continued)

FOREIGN PATENT DOCUMENTS

JP 2012-509148 A 4/2012
JP 2013-515536 A 5/2013

(Continued)

(**) Term: **15 Years**

(21) Appl. No.: **29/593,508**

(22) Filed: **Feb. 9, 2017**

OTHER PUBLICATIONS

Design U.S. Appl. No. 29/551,265, filed Jan. 12, 2016.

Primary Examiner — Barbara Fox
Assistant Examiner — Lilyana Bekic
(74) *Attorney, Agent, or Firm* — Frost Brown Todd LLC

Related U.S. Application Data

(62) Division of application No. 29/551,265, filed on Jan. 12, 2016, now Pat. No. Des. 787,045.

(51) **LOC (10) Cl.** **29-02**

(52) **U.S. Cl.**
USPC **D24/110.4**

(58) **Field of Classification Search**
USPC D24/110–110.5, 164; D29/108
CPC A61M 16/0622; A61M 16/00; A61M 16/0616; A61M 2205/59; A61M 16/06; A61M 2202/0208; A62B 18/025
See application file for complete search history.

(57) **CLAIM**

The ornamental design for an oxygen mask, as shown and described.

DESCRIPTION

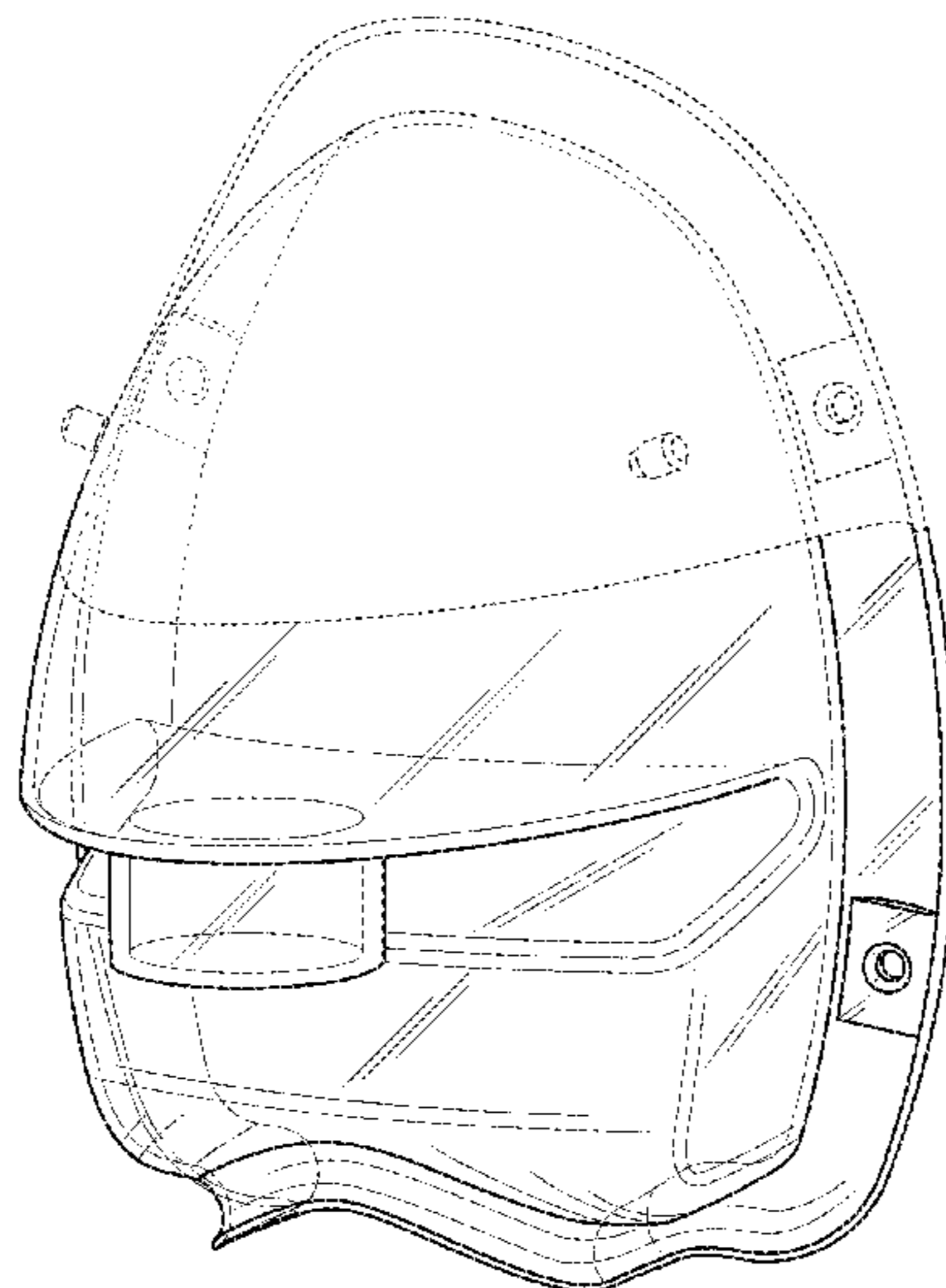
FIG. 1 is a front and side perspective view of an oxygen mask, showing my new design;
FIG. 2 is a front elevational view of the oxygen mask of FIG. 1;
FIG. 3 is a back elevational view of the oxygen mask of FIG. 1;
FIG. 4 is a top plan view of the oxygen mask of FIG. 1;
FIG. 5 is a bottom plan view of the oxygen mask of FIG. 1;
FIG. 6 is a left elevational view of the oxygen mask of FIG. 1;
FIG. 7 is a right elevational view of the oxygen mask of FIG. 1; and,
FIG. 8 is a cross-sectional view of the oxygen mask of FIG. 1, taken in the direction of line 8-8 of FIG. 2.
The broken lines in the drawings illustrate portions of the oxygen mask that form no part of the claimed design.

(56) **References Cited**

U.S. PATENT DOCUMENTS

D225,582 S 12/1972 King
3,894,537 A 7/1975 Camp
3,977,432 A 8/1976 Vidal
D250,047 S * 10/1978 Lewis 128/205.25
4,328,797 A 5/1982 Rollins, III
D283,742 S 5/1986 Hall
5,143,061 A 9/1992 Kaimer

1 Claim, 8 Drawing Sheets



(56)

References Cited

U.S. PATENT DOCUMENTS

6,418,929 B1 7/2002 Norfleet
 6,659,102 B1* 12/2003 Sico A61M 16/06
 128/201.22
 7,559,323 B2* 7/2009 Hacke A61M 16/06
 128/201.25
 8,042,536 B1 10/2011 Howey
 8,464,715 B2 6/2013 Flynn, Sr.
 D703,808 S* 4/2014 Bowsher D24/110.4
 D726,303 S 4/2015 Rollins, III
 9,138,169 B2 9/2015 Beard
 9,186,474 B1 11/2015 Rollins, III
 D753,816 S 4/2016 Beard
 9,498,592 B2* 11/2016 Smith et al. A61M 16/0833
 D775,323 S* 12/2016 Bowsher D24/110.4
 2002/0189616 A1* 12/2002 Wolf A62B 18/084
 128/205.25
 2007/0283951 A1 12/2007 Burk et al.
 2008/0210242 A1 9/2008 Burk et al.
 2009/0020126 A1* 1/2009 Lau A62B 18/084
 128/207.11
 2009/0250060 A1* 10/2009 Hacke A61M 16/06
 128/205.12

2009/0260628 A1* 10/2009 Flynn, Sr. A61M 16/0078
 128/203.28
 2011/0100368 A1* 5/2011 Taylor-Kennedy ... A61M 16/06
 128/205.25
 2012/0111330 A1 5/2012 Gartner
 2013/0060157 A1* 3/2013 Beard A61M 16/06
 600/532
 2014/0243600 A1 8/2014 Eisenberger
 2014/0251332 A1 9/2014 Martin
 2014/0251333 A1 9/2014 Burk et al.
 2015/0196723 A1 7/2015 Matusik
 2015/0217075 A1 8/2015 Nair
 2016/0038709 A1 2/2016 Beard et al.
 2016/0184548 A1 6/2016 Wallnewitz et al.
 2017/0100558 A1* 4/2017 Dhuper A61M 16/208

FOREIGN PATENT DOCUMENTS

JP 3192368 U 8/2014
 JP 1527173 S 6/2015
 WO WO 2010/059592 A2 5/2010
 WO WO 2011/077254 A2 6/2011
 WO WO 2012/150441 A1 11/2012

* cited by examiner

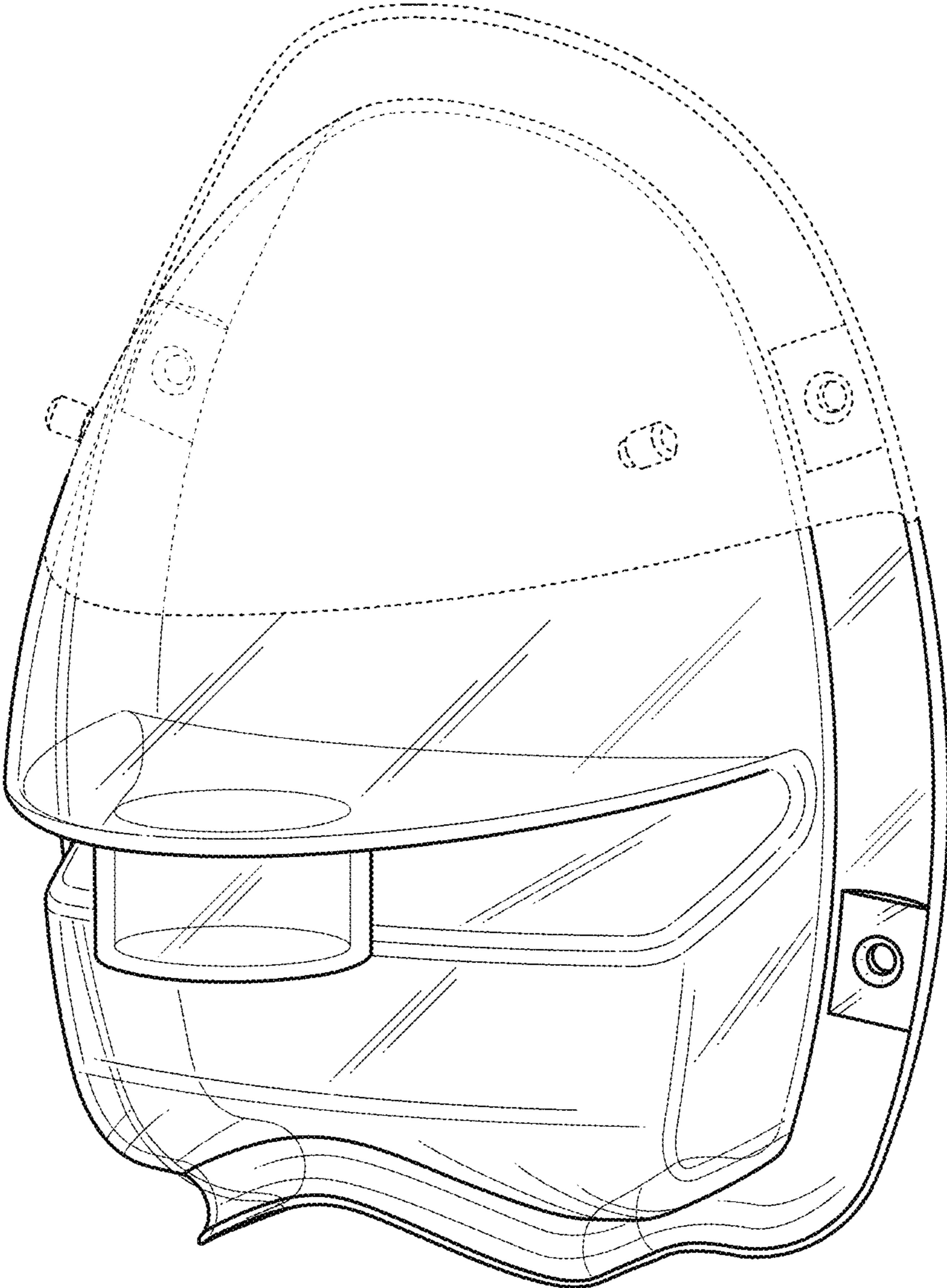


Fig. 1

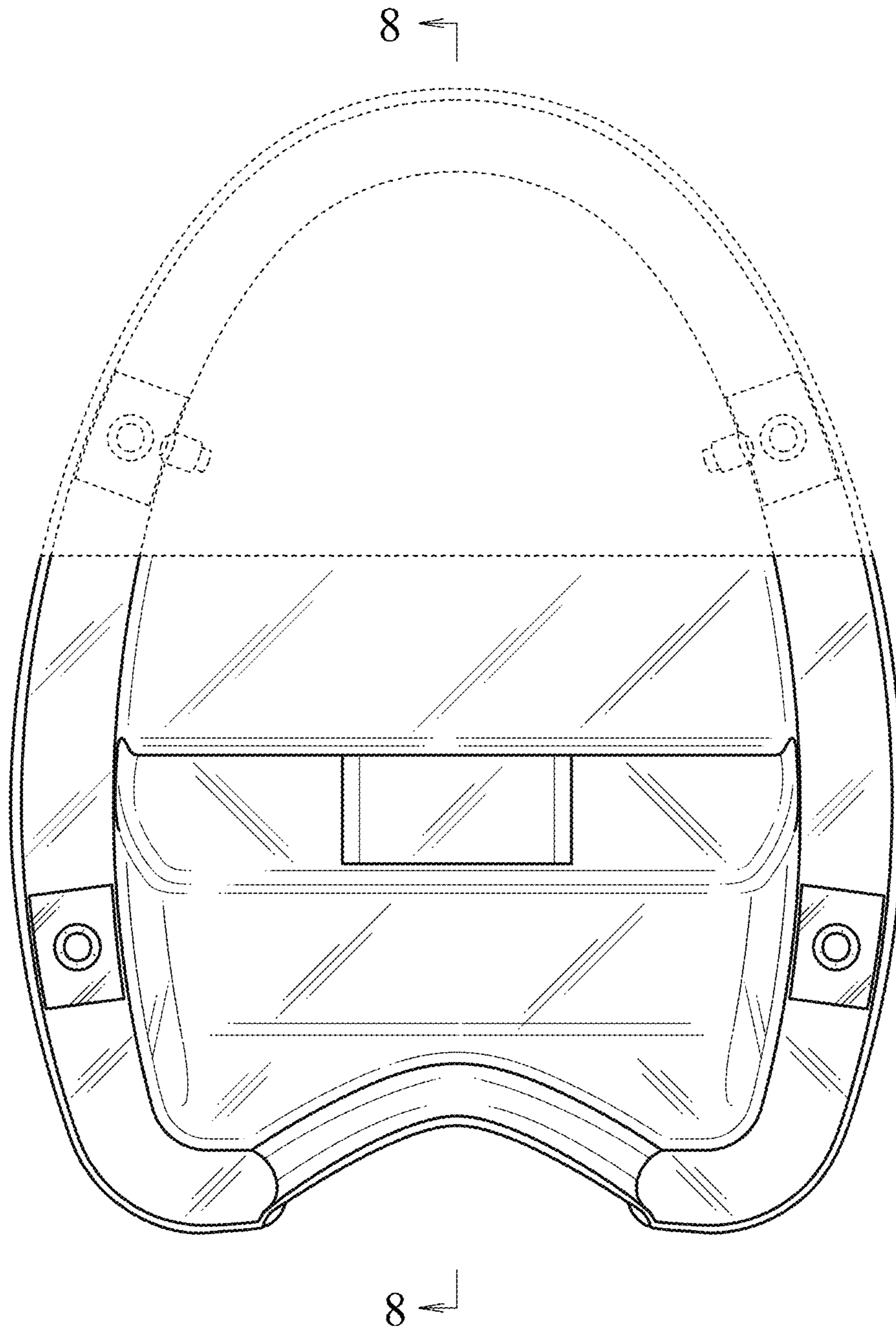


Fig. 2

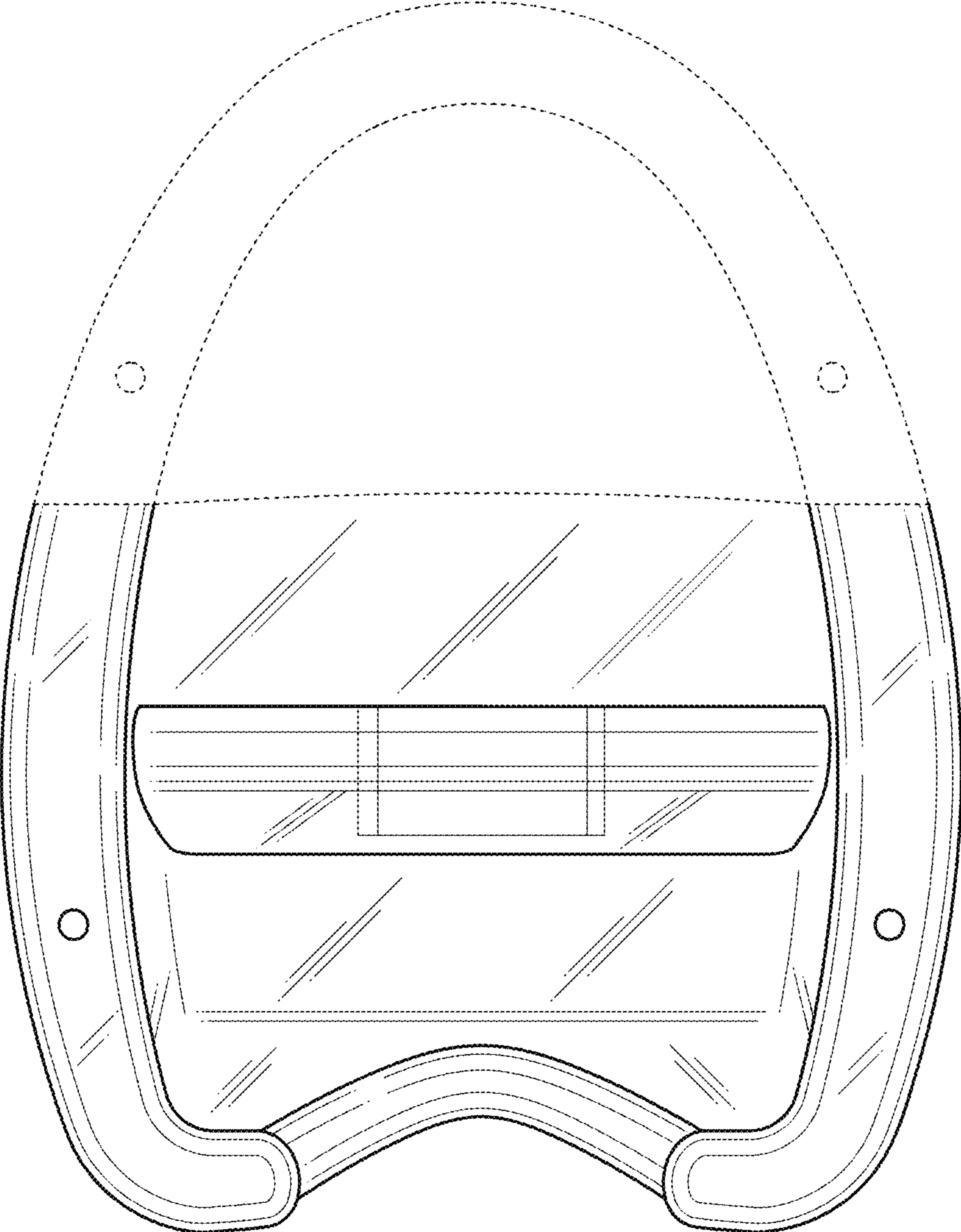


Fig. 3

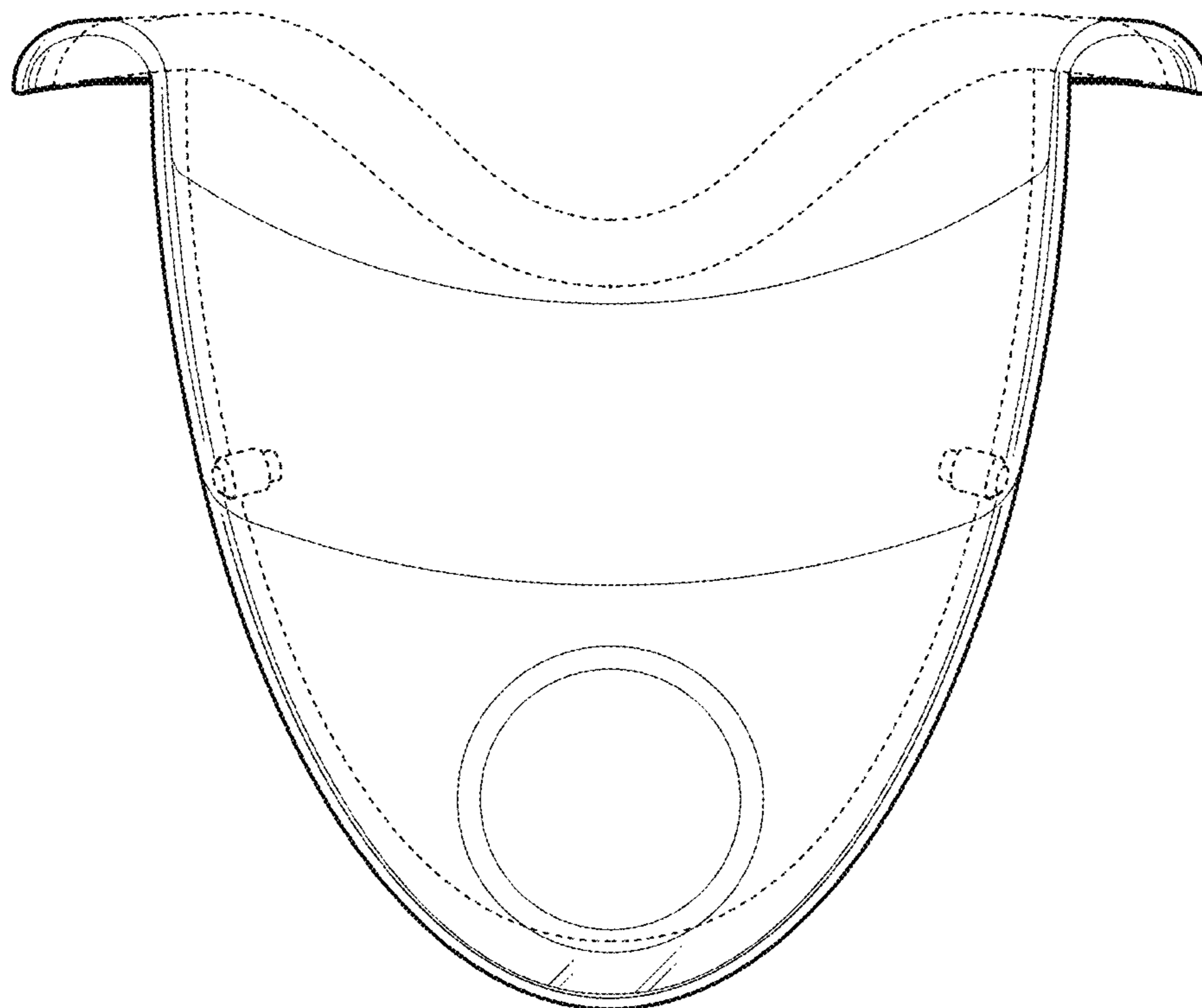


Fig. 4

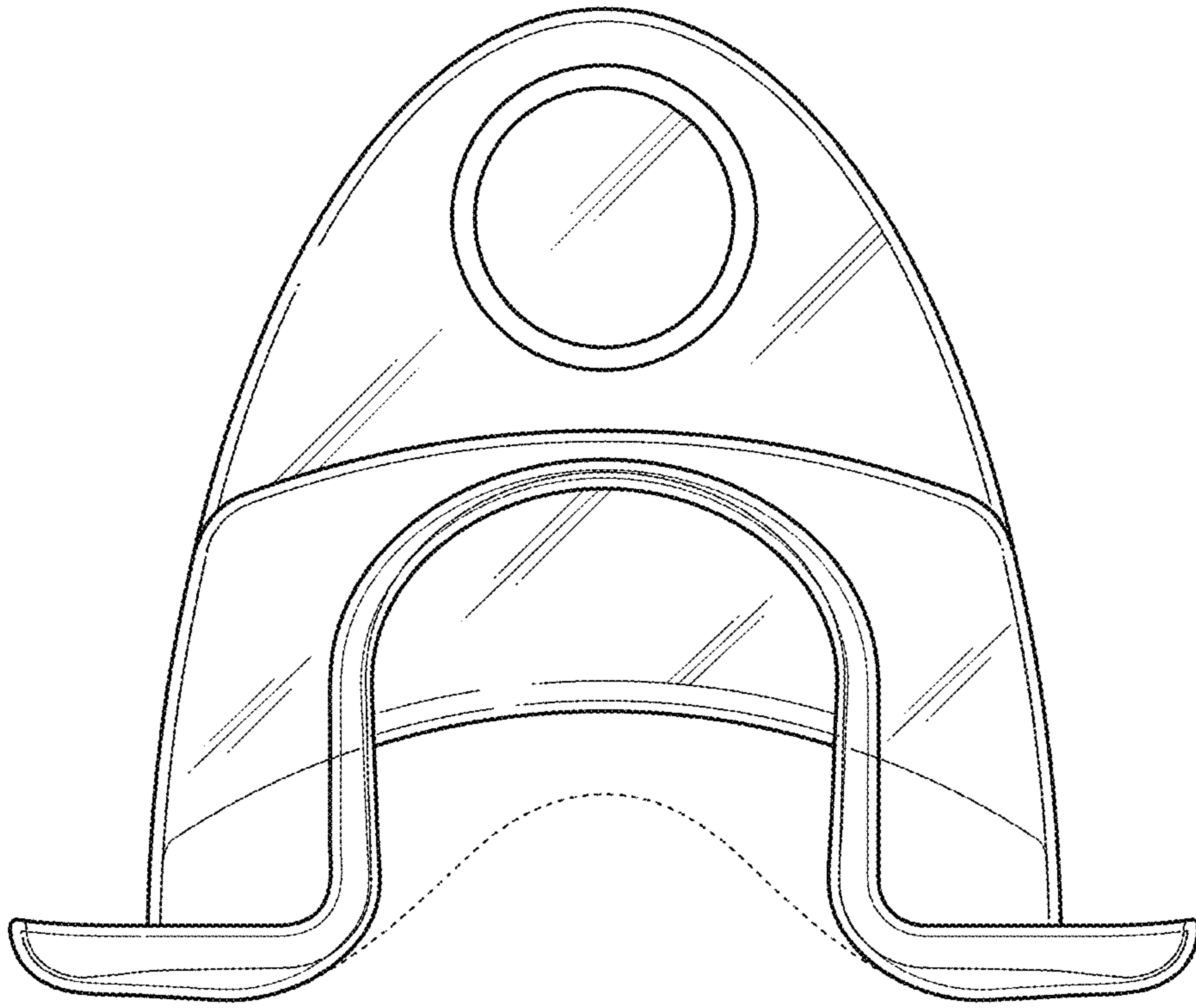


Fig. 5

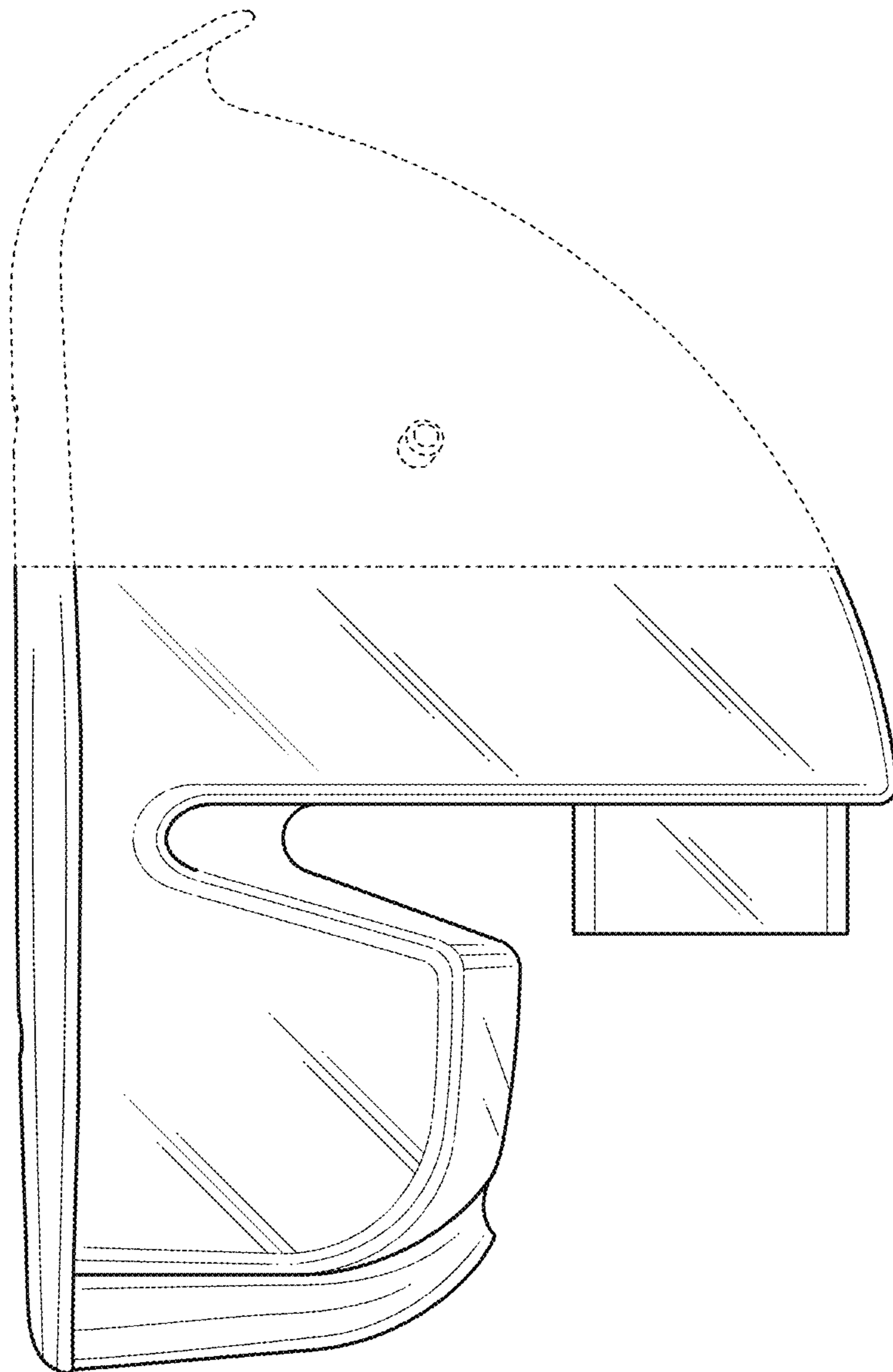


Fig. 6

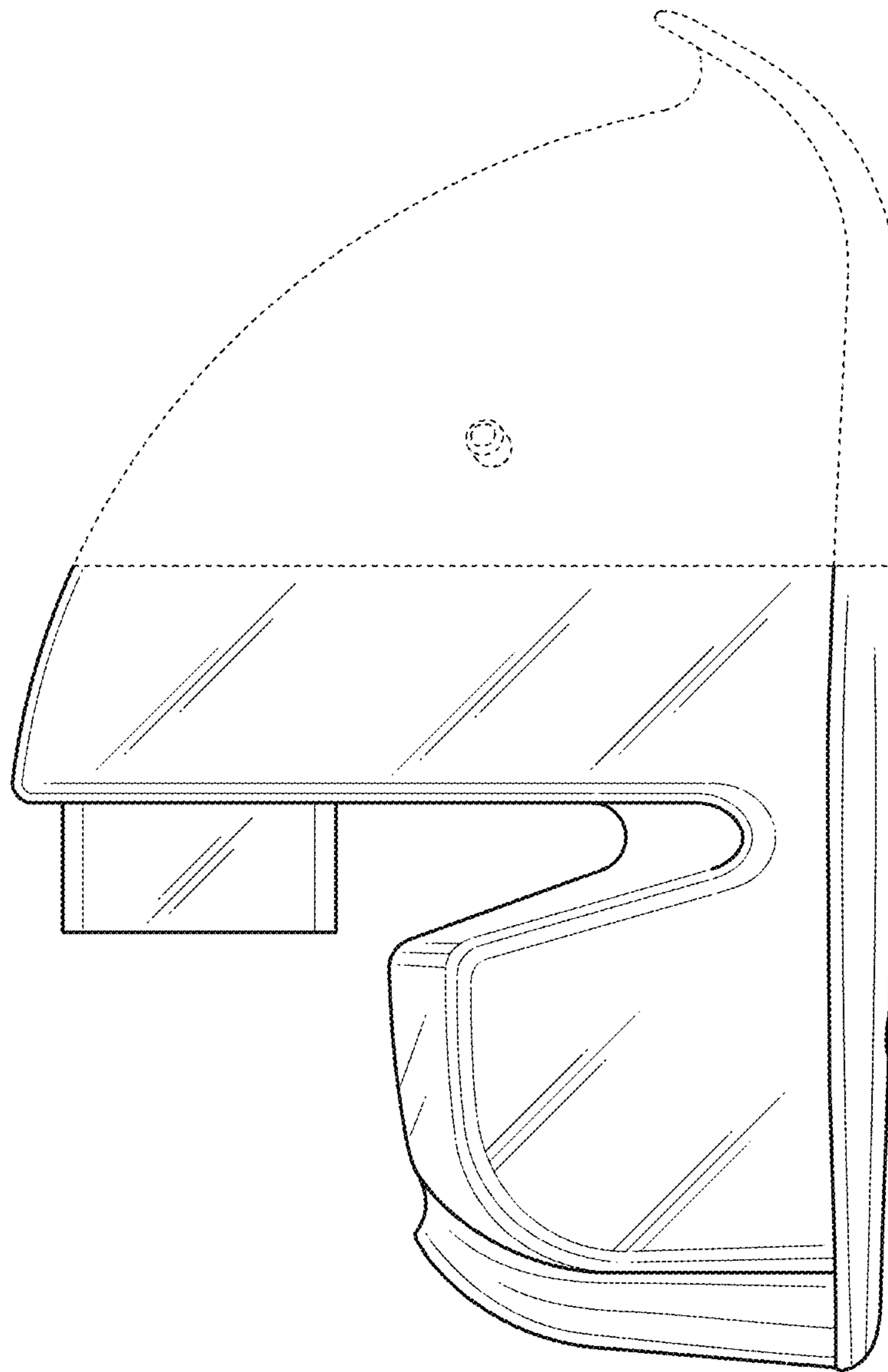


Fig. 7

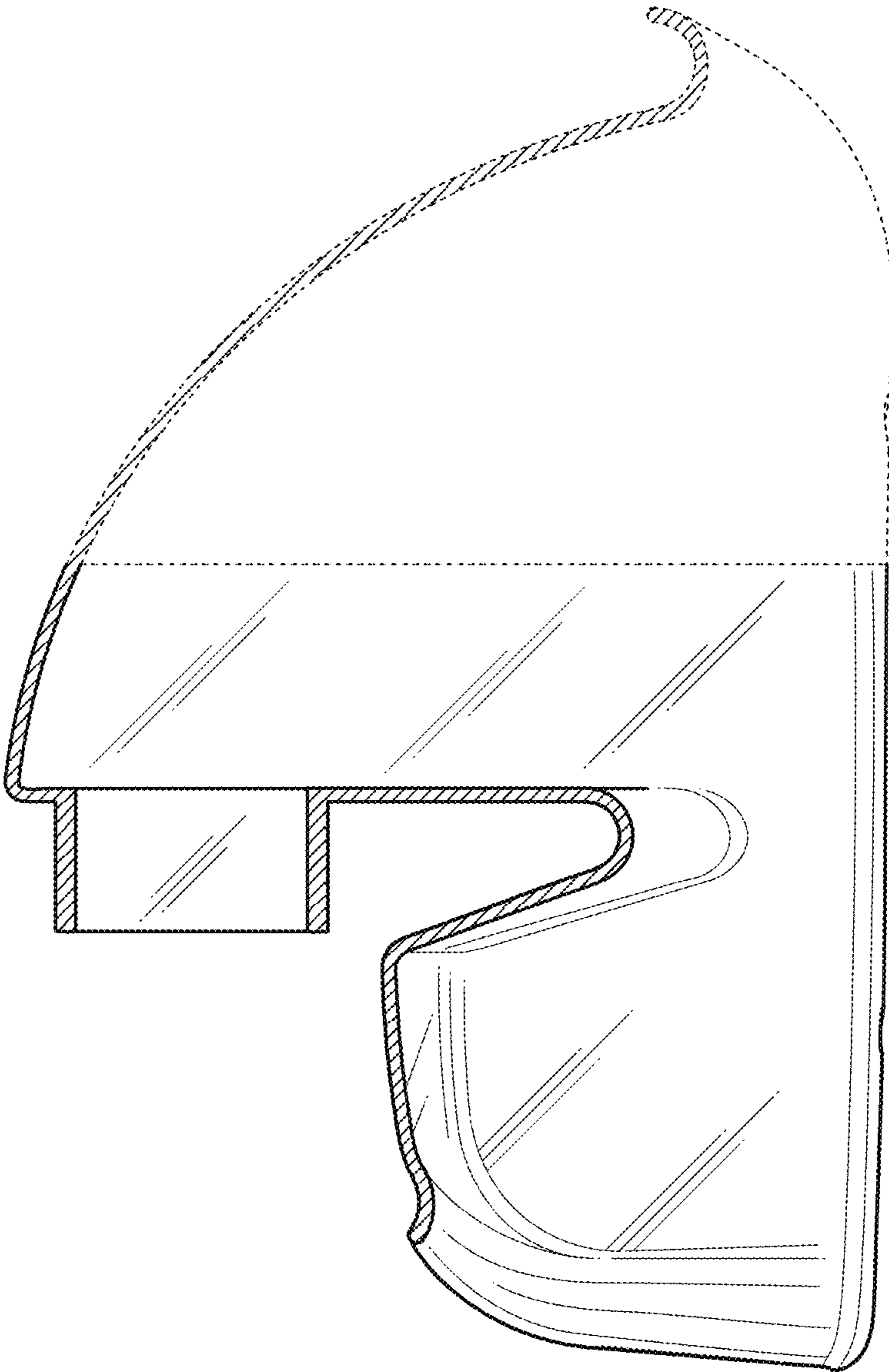


Fig. 8