



US00D791301S

(12) **United States Design Patent**  
**van Dijk**

(10) **Patent No.:** **US D791,301 S**  
(45) **Date of Patent:** **\*\* Jul. 4, 2017**

(54) **WALL DUCT**

1/02; F17C 13/04; F22B 1/1876; F22B  
1/22; F22B 3/04

(71) Applicant: **UBBINK B.V.**, Doesburg (NL)

See application file for complete search history.

(72) Inventor: **Floris van Dijk**, Doesburg (NL)

(56) **References Cited**

(73) Assignee: **UBBINK B.V.**, Doesburg (NL)

U.S. PATENT DOCUMENTS

(\*\*) Term: **14 Years**

(21) Appl. No.: **29/517,002**

1,608,180 A \* 11/1926 Nathanson ..... B21C 37/29  
29/890.149  
D151,309 S \* 10/1948 Witte ..... D23/336  
2,830,523 A \* 4/1958 Vehige ..... B64D 13/00  
239/582.1  
2,885,943 A \* 5/1959 Divizia ..... B60H 1/3442  
239/539  
3,175,640 A \* 3/1965 Matsui ..... F01N 1/006  
181/252

(22) Filed: **Feb. 9, 2015**

(30) **Foreign Application Priority Data**

(Continued)

Nov. 27, 2014 (EM) ..... 0025862550002

(51) **LOC (10) Cl.** ..... **23-04**

(52) **U.S. Cl.**

USPC ..... **D23/393**

(58) **Field of Classification Search**

USPC ..... D14/356; D10/93, 104.1, 108, 114;  
D8/4, 25, 52; D17/20, 22, 23; D23/323,  
D23/328, 333, 335, 336, 337, 341, 352,  
D23/357, 370, 385, 386, 397, 399, 400,  
D23/406, 411, 413, 499, 382, 388, 391,  
D23/392, 393, 394, 395; D13/182

CPC ..... H01R 13/5213; B60Q 1/04; B60Q 1/26;  
G10D 3/006; G10D 13/023; G10D  
13/027; B25B 15/001; G10H 3/143;  
G10H 3/181; G10G 5/005; A42B 1/04;  
B64C 11/04; B64C 11/16; B64C 11/18;  
B64C 11/20; B64C 2001/009; F03D  
3/062; F03D 11/04; F04D 19/002; F04D  
25/068; F04D 25/088; F24F 1/0018; F24F  
13/24; B64D 13/02; B64D 13/00; E04C  
2/427; E06B 3/5892; E06B 7/02; B24B  
37/04; E04F 17/00; E21F 1/04; F01P

OTHER PUBLICATIONS

Horizontal balanced flue—EP 1136757 A2, image post date Sep. 26,  
2001, site visited Feb. 18, 2017, (online), <<http://www.google.co.ug/patents/EP1136757A2?cl=un>>.\*

(Continued)

*Primary Examiner* — Kevin Rudzinski  
*Assistant Examiner* — Sean D Lough  
(74) *Attorney, Agent, or Firm* — RatnerPrestia

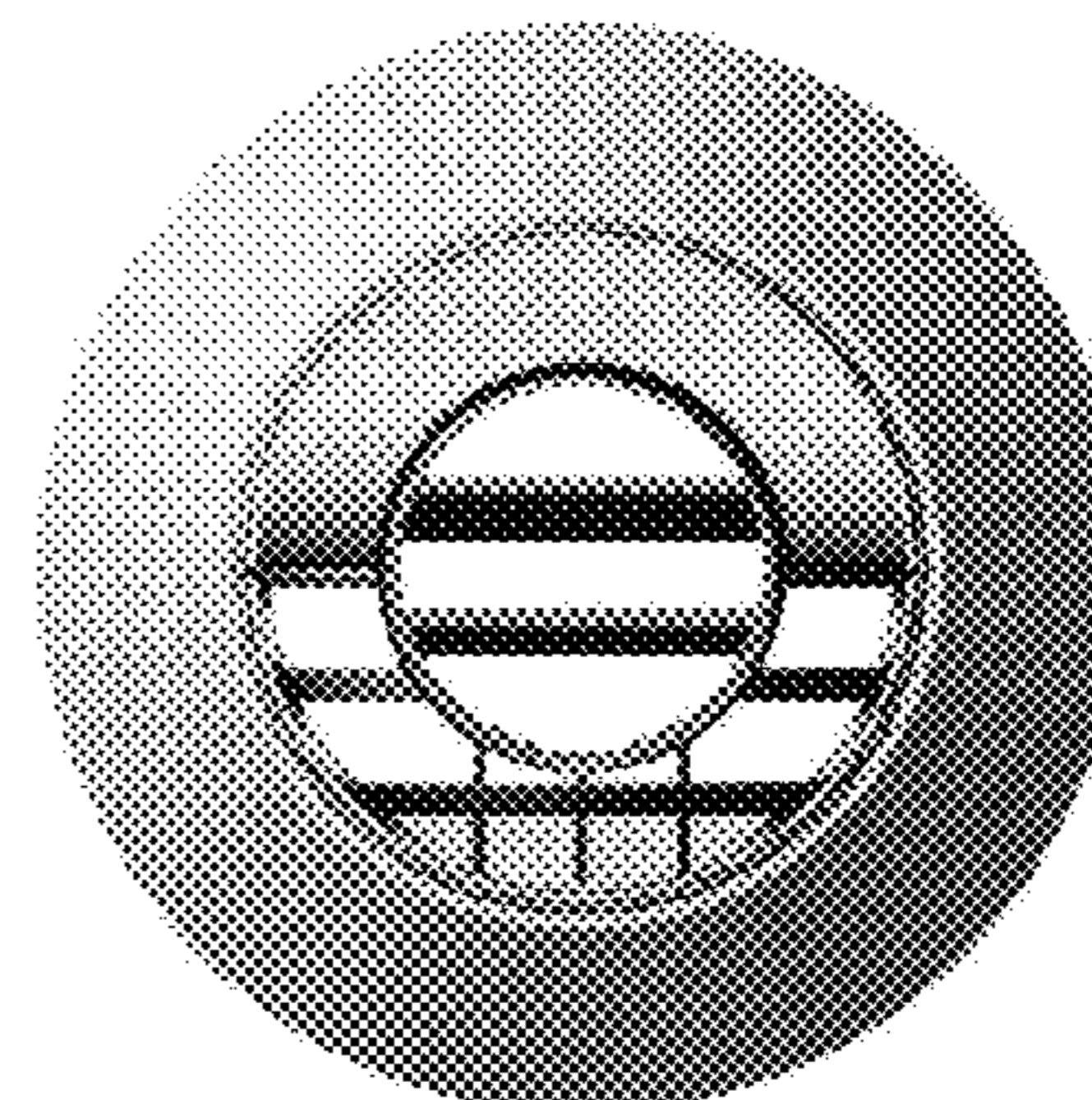
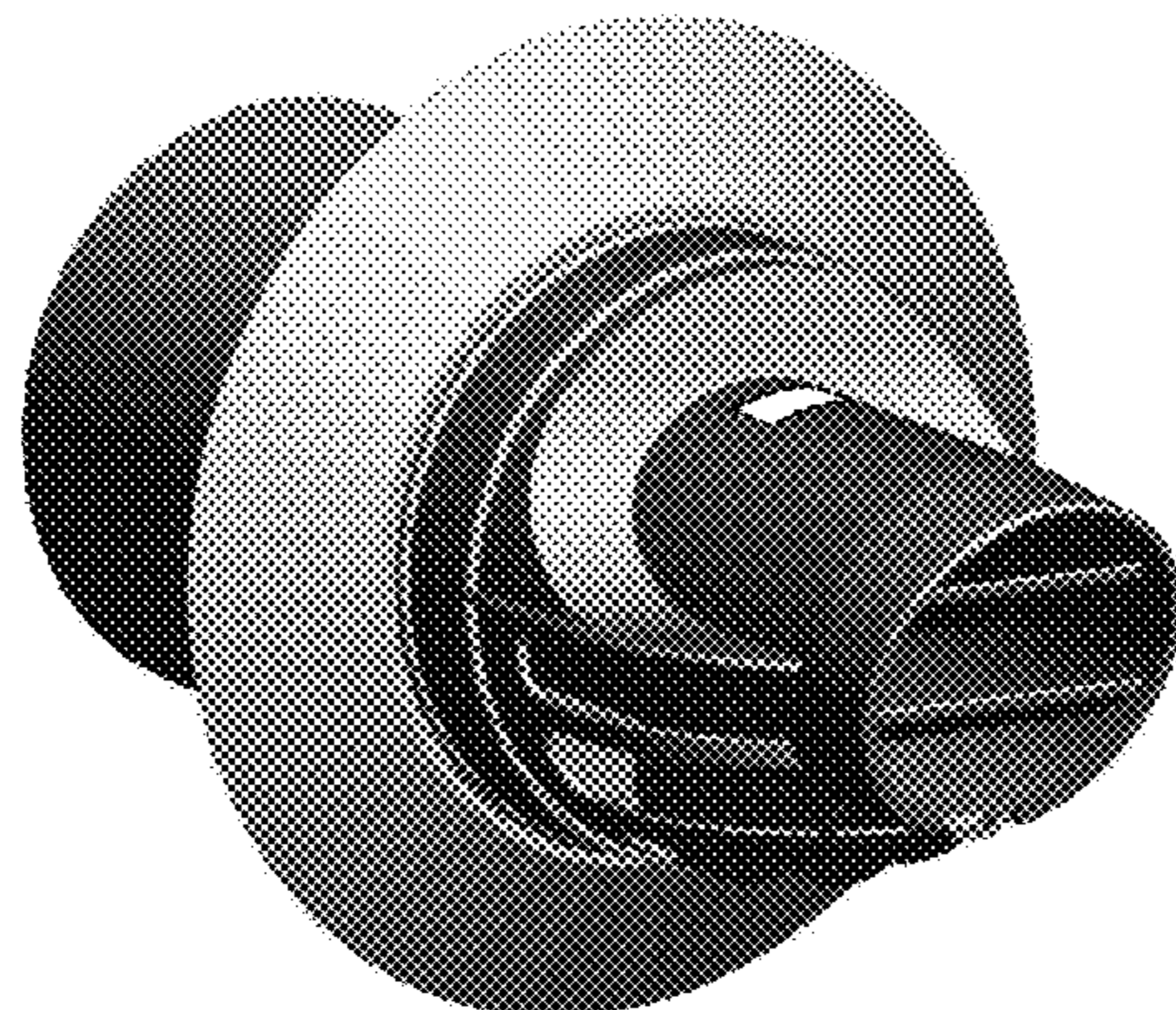
(57) **CLAIM**

The ornamental design for a wall duct, as shown and described.

**DESCRIPTION**

FIG. 1 is a front perspective view of a wall duct;  
FIG. 2 is a front elevation view thereof;  
FIG. 3 is a rear elevation view thereof;  
FIG. 4 is an elevation view as viewed from the left side thereof;  
FIG. 5 is an elevation view as viewed from the right side thereof;  
FIG. 6 is a top plan view thereof; and,  
FIG. 7 is a bottom plan view thereof.

(Continued)



The broken line showing of the wall duct is for the purpose of illustrating portions of the wall duct and forms no part of the claimed design.

**1 Claim, 4 Drawing Sheets**

(56)

**References Cited**

U.S. PATENT DOCUMENTS

4,109,754 A \* 8/1978 Purhonen ..... F01N 1/02  
181/252  
D363,773 S \* 10/1995 Nishizawa ..... D12/345  
D373,184 S \* 8/1996 Nishizawa ..... D12/345  
5,567,230 A \* 10/1996 Sinclair ..... B64D 11/00  
454/154  
D417,498 S \* 12/1999 Meyer ..... D23/386  
D428,483 S \* 7/2000 Balint ..... D23/387  
6,148,776 A \* 11/2000 Liejonberg ..... F01B 9/06  
123/51 R  
D450,518 S \* 11/2001 Frederick ..... D6/630  
D475,131 S \* 5/2003 Pilger ..... D23/393  
D521,631 S \* 5/2006 Habensus ..... D23/388  
D554,249 S \* 10/2007 Holmgren ..... D23/386  
D557,788 S \* 12/2007 Eloranta ..... 24/110  
D558,325 S \* 12/2007 Karnes ..... D23/393  
D560,531 S \* 1/2008 Cleland ..... D10/104.1  
D571,834 S \* 6/2008 Young ..... D15/138  
D578,193 S \* 10/2008 Lo ..... D23/332  
D609,798 S \* 2/2010 Matejczuk ..... D23/374  
D635,239 S \* 3/2011 Liebson ..... D23/393  
D635,658 S \* 4/2011 Warby ..... D24/110  
D652,983 S \* 1/2012 Quadri ..... D26/118  
D665,902 S \* 8/2012 Esjunin ..... D23/499  
D670,369 S \* 11/2012 Cassell ..... D23/328  
D670,796 S \* 11/2012 Cassell ..... D23/317  
D670,797 S \* 11/2012 Cassell ..... D23/317  
D676,951 S \* 2/2013 Winkler ..... D23/370  
D681,796 S \* 5/2013 Han ..... D23/390  
D681,797 S \* 5/2013 Gustafsson ..... D23/393  
D716,934 S \* 11/2014 Hertreiter ..... D23/365

D717,422 S \* 11/2014 Forlong ..... D23/393  
D726,288 S \* 4/2015 Sisk ..... D23/263  
D726,896 S \* 4/2015 Rohskopf ..... D23/387  
D727,489 S \* 4/2015 Rohskopf ..... D23/388  
D729,926 S \* 5/2015 Tomasiak ..... D23/388  
D730,510 S \* 5/2015 Schanzenbach ..... D23/393  
D731,634 S \* 6/2015 Page ..... D23/365  
D745,117 S \* 12/2015 Ramey ..... D23/262  
D748,228 S \* 1/2016 Bayyouk ..... D23/269  
D749,702 S \* 2/2016 Rohn ..... D23/259  
D754,835 S \* 4/2016 Uehara ..... D23/371  
D755,729 S \* 5/2016 Smith ..... D13/155  
D756,429 S \* 5/2016 Myren, Jr. .... D15/138  
D760,369 S \* 6/2016 Ertze ..... D23/385  
D760,704 S \* 7/2016 Wise ..... D14/227  
D761,397 S \* 7/2016 DeNooy ..... D23/262  
D776,796 S \* 1/2017 Denooy ..... D23/262  
2006/0111037 A1\* 5/2006 Poirier ..... F16L 37/26  
454/270  
2006/0199493 A1\* 9/2006 Hartmann ..... B63J 2/10  
454/81  
2008/0182504 A1\* 7/2008 Dijk ..... F24F 13/082  
454/276  
2012/0199315 A1\* 8/2012 Barreau ..... B64C 1/067  
165/42  
2014/0308171 A1\* 10/2014 Army ..... C01B 13/0203  
422/120  
2016/0201851 A1\* 7/2016 Kim ..... B65D 83/425  
220/581  
2016/0252204 A1\* 9/2016 DeVilliers ..... F16L 55/0336  
181/249  
2017/0002747 A1\* 1/2017 Fert ..... B64D 13/00

OTHER PUBLICATIONS

Floor drainage channel, image post date Jul. 27, 2014, site visited Feb. 18, 2017, (online), <<https://www.tineye.com/search/02f4c8806f73758f3a6509115a379ffb4de043f0/>>.\*  
Bolrooster RVS, image post date 2012, site visited Feb. 18, 2017, (online), <<https://www.ventilatieshop.com/bolrooster-rvs-200mm-met-grofmazig-gaas-hoge-doorlaat/>>.\*

\* cited by examiner



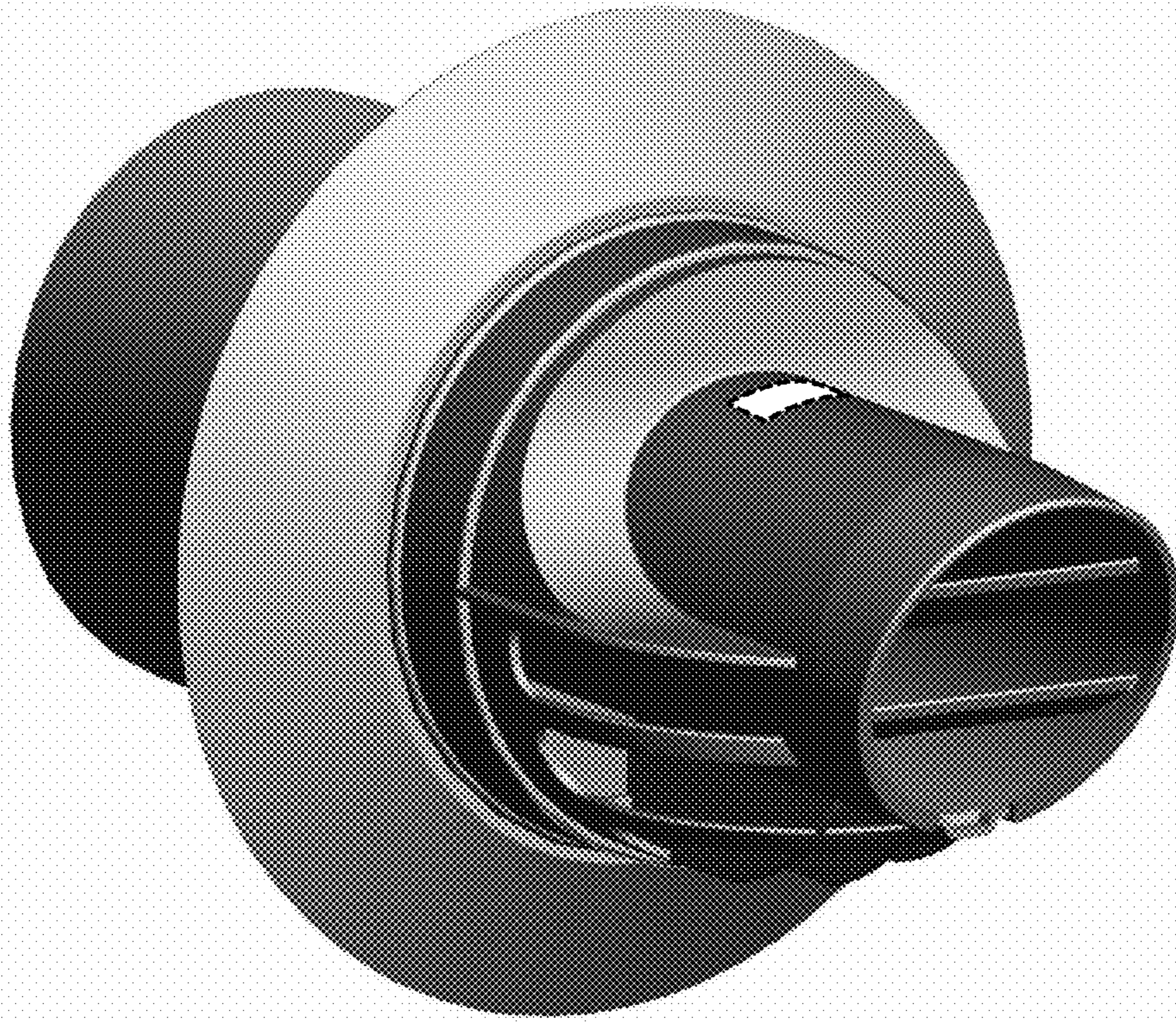


Figure 1



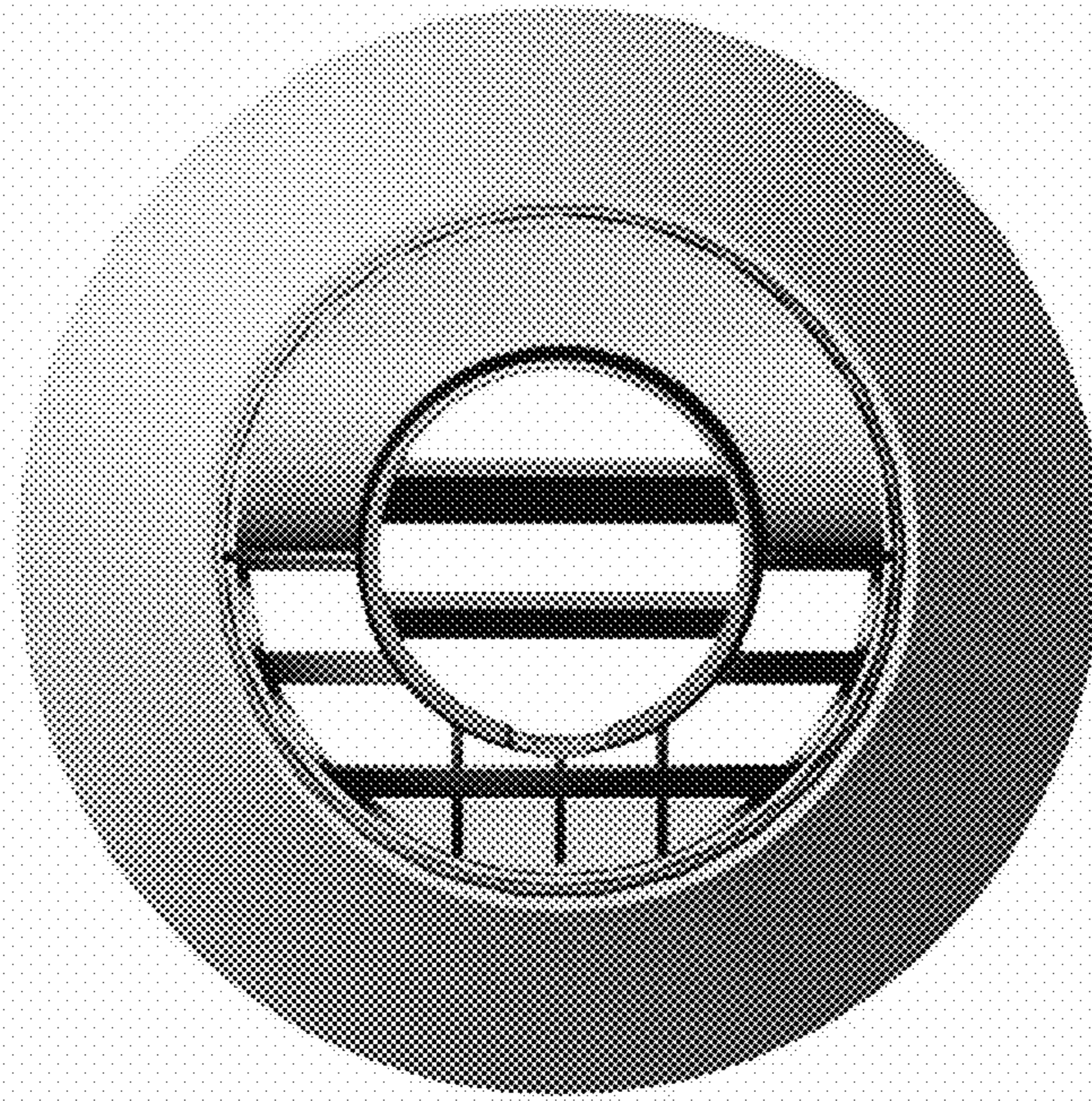


Figure 2

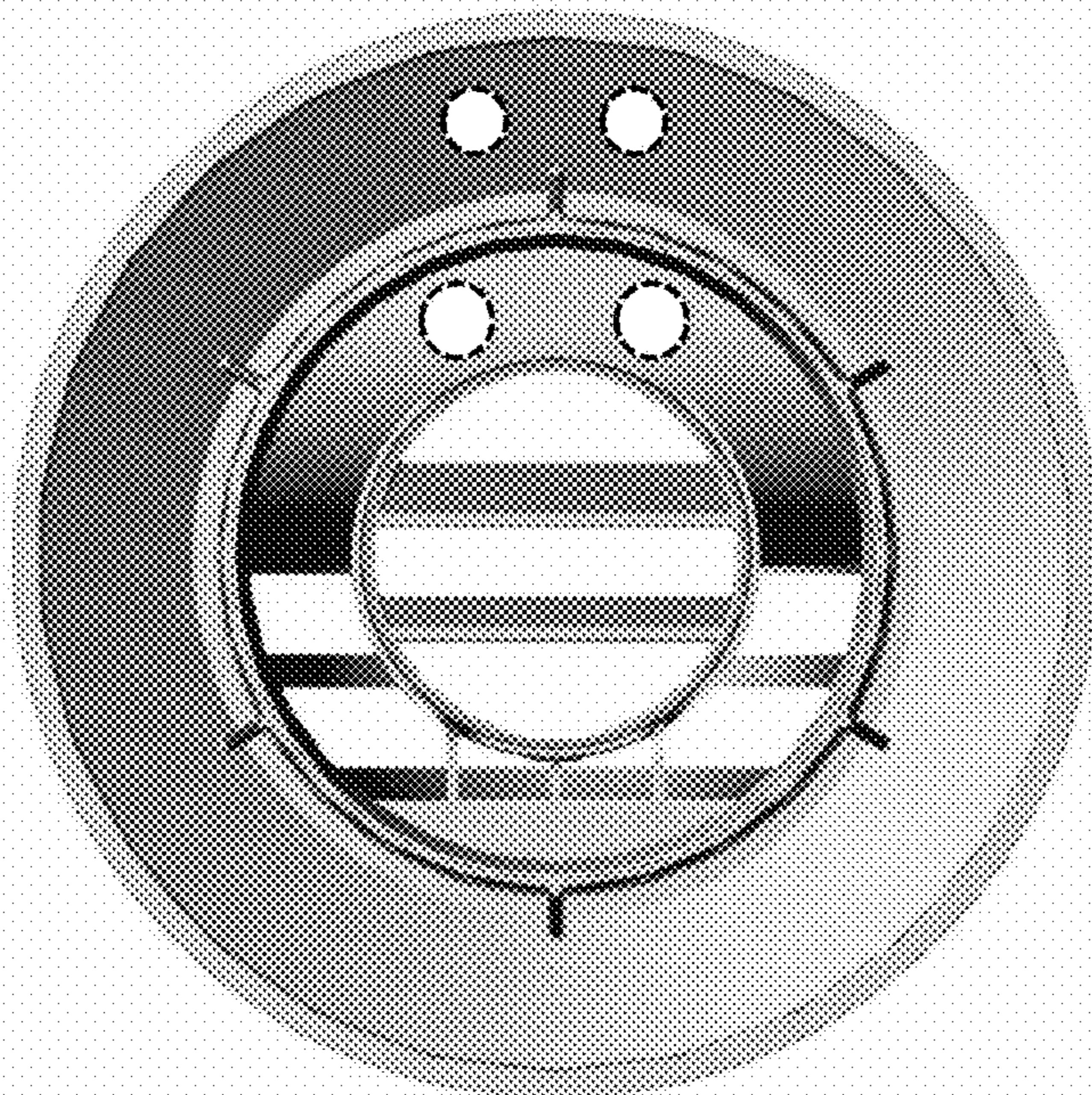


Figure 3



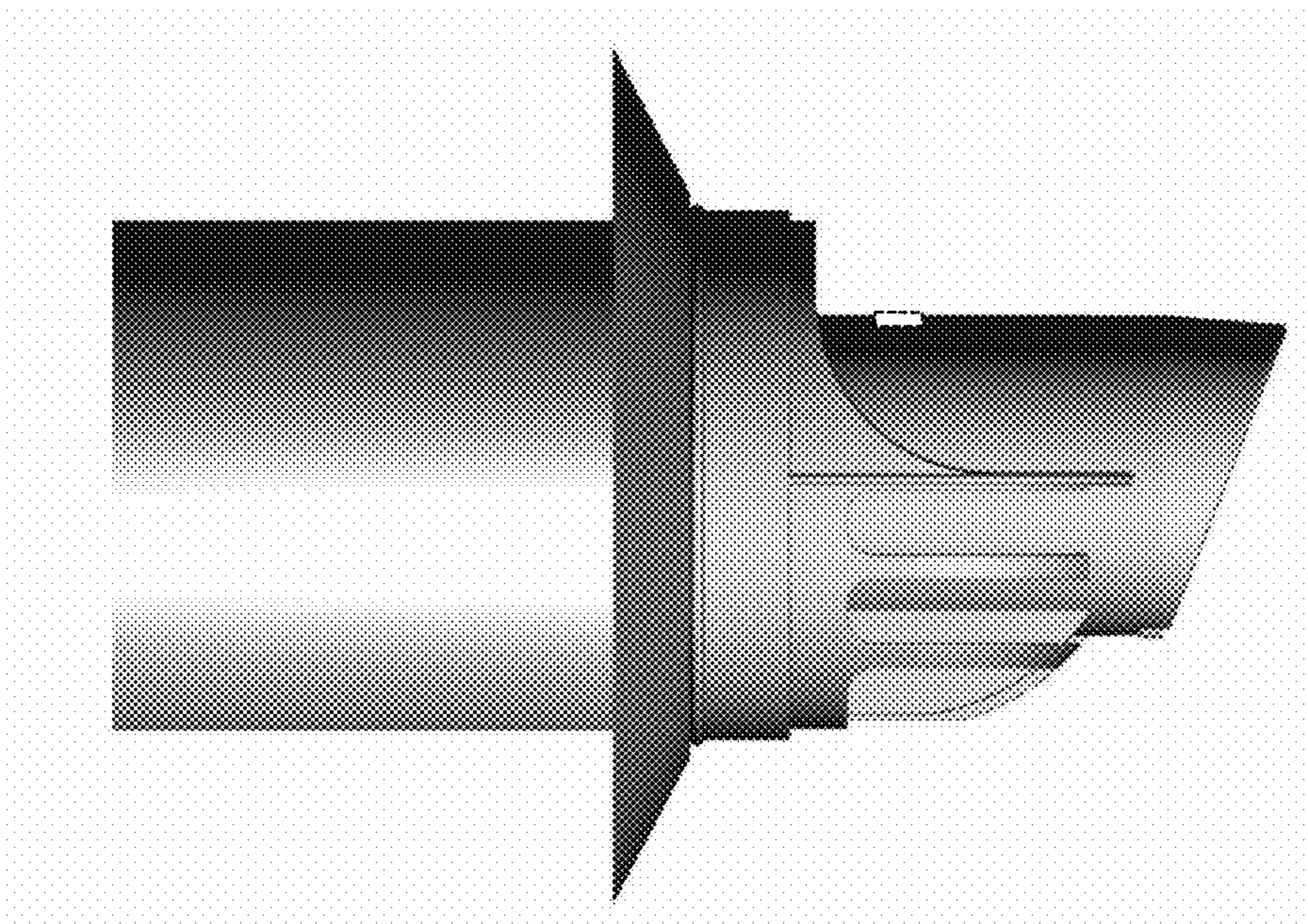


Figure 4

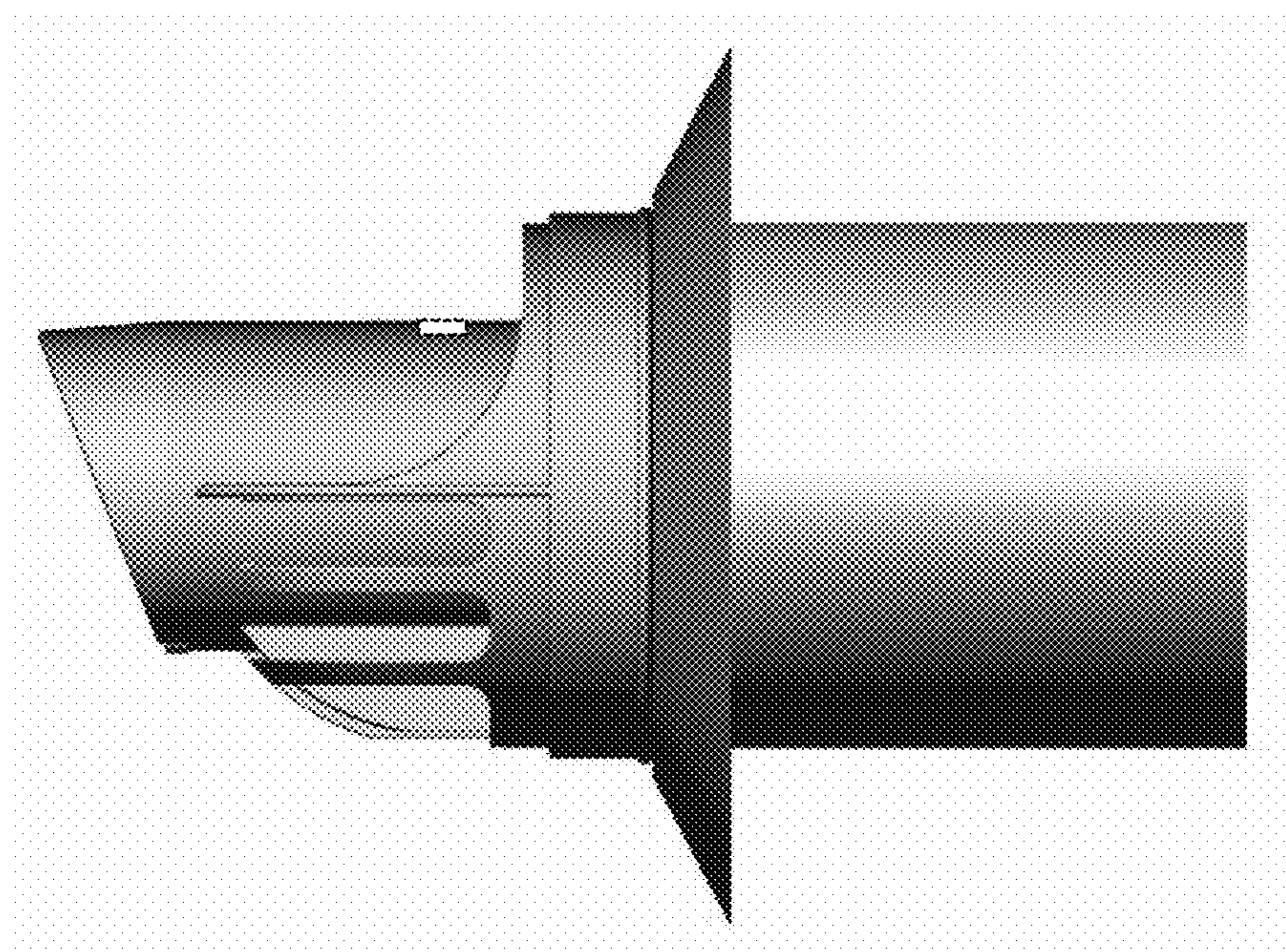


Figure 5

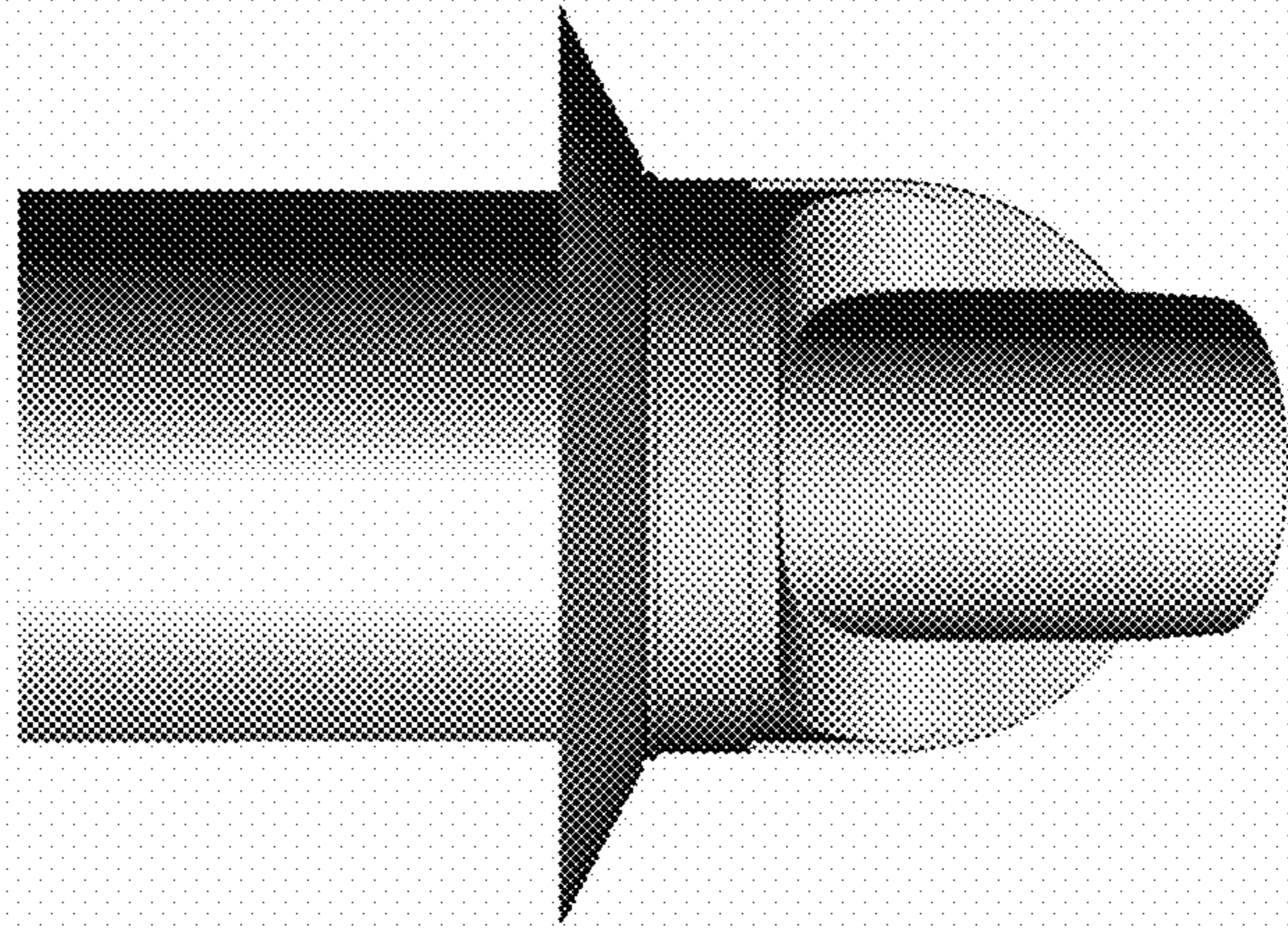


Figure 6

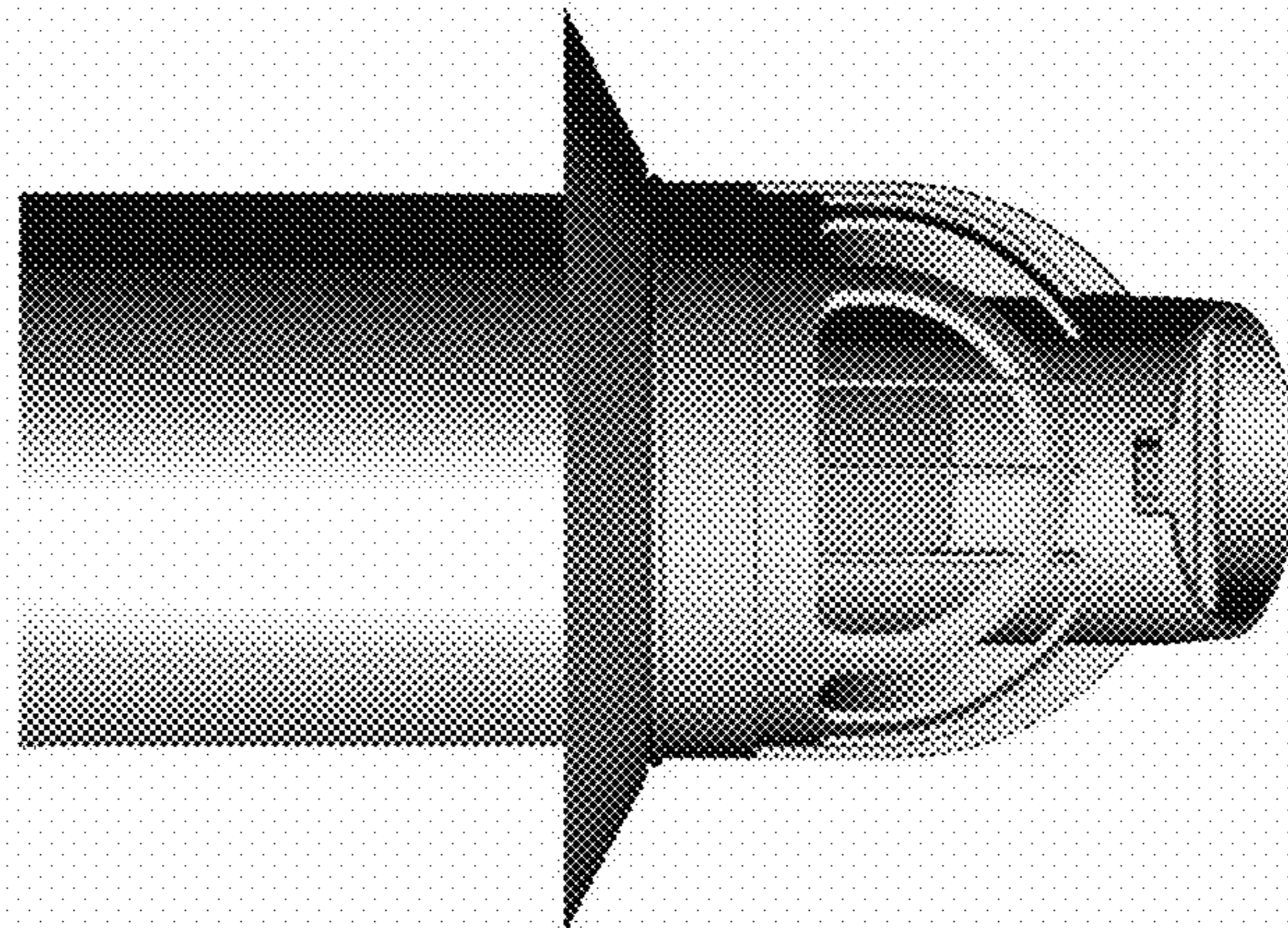


Figure 7