



US00D791300S

(12) **United States Design Patent**
van Dijk

(10) **Patent No.:** **US D791,300 S**

(45) **Date of Patent:** **** Jul. 4, 2017**

(54) **WALL DUCT**

1/02; F17C 13/04; F22B 1/1876; F22B
1/22; F22B 3/04

(71) Applicant: **UBBINK B.V.**, Doesburg (NL)

See application file for complete search history.

(72) Inventor: **Floris van Dijk**, Doesburg (NL)

(56) **References Cited**

(73) Assignee: **UBBINK B.V.**, Doesburg (NL)

U.S. PATENT DOCUMENTS

(**) Term: **14 Years**

(21) Appl. No.: **29/517,000**

1,608,180 A * 11/1926 Nathanson B21C 37/29
29/890.149
D151,309 S * 10/1948 Witte D23/336
2,830,523 A * 4/1958 Vehige B64D 13/00
239/582.1
2,885,943 A * 5/1959 Divizia B60H 1/3442
239/539
3,175,640 A * 3/1965 Matsui F01N 1/006
181/252

(22) Filed: **Feb. 9, 2015**

(30) **Foreign Application Priority Data**

(Continued)

Nov. 27, 2014 (EM) 0025862550001

(51) **LOC (10) Cl.** **23-04**

(52) **U.S. Cl.**

USPC **D23/393**

(58) **Field of Classification Search**

USPC D14/356; D10/93, 104.1, 108, 114;
D8/4, 25, 52; D17/20, 22, 23; D23/323,
D23/328, 333, 335, 336, 337, 341, 352,
D23/357, 370, 385, 386, 397, 399, 400,
D23/406, 411, 413, 499, 382, 388, 391,
D23/392, 393, 394, 395; D13/182

CPC H01R 13/5213; B60Q 1/04; B60Q 1/26;
G10D 3/006; G10D 13/023; G10D
13/027; B25B 15/001; G10H 3/143;
G10H 3/181; G10G 5/005; A42B 1/04;
B64C 11/04; B64C 11/16; B64C 11/18;
B64C 11/20; B64C 2001/009; F03D
3/062; F03D 11/04; F04D 19/002; F04D
25/068; F04D 25/088; F24F 1/0018; F24F
13/24; B64D 13/02; B64D 13/00; E04C
2/427; E06B 3/5892; E06B 7/02; B24B
37/04; E04F 17/00; E21F 1/04; F01P

OTHER PUBLICATIONS

Horizontal balanced flue—EP 1136757 A2, image post date Sep. 26,
2001, site visited Feb. 18, 2017, (online), <<http://www.google.co.ug/patents/EP1136757A2?cl=un>>.*

(Continued)

Primary Examiner — Kevin Rudzinski

Assistant Examiner — Sean D Lough

(74) *Attorney, Agent, or Firm* — RatnerPrestia

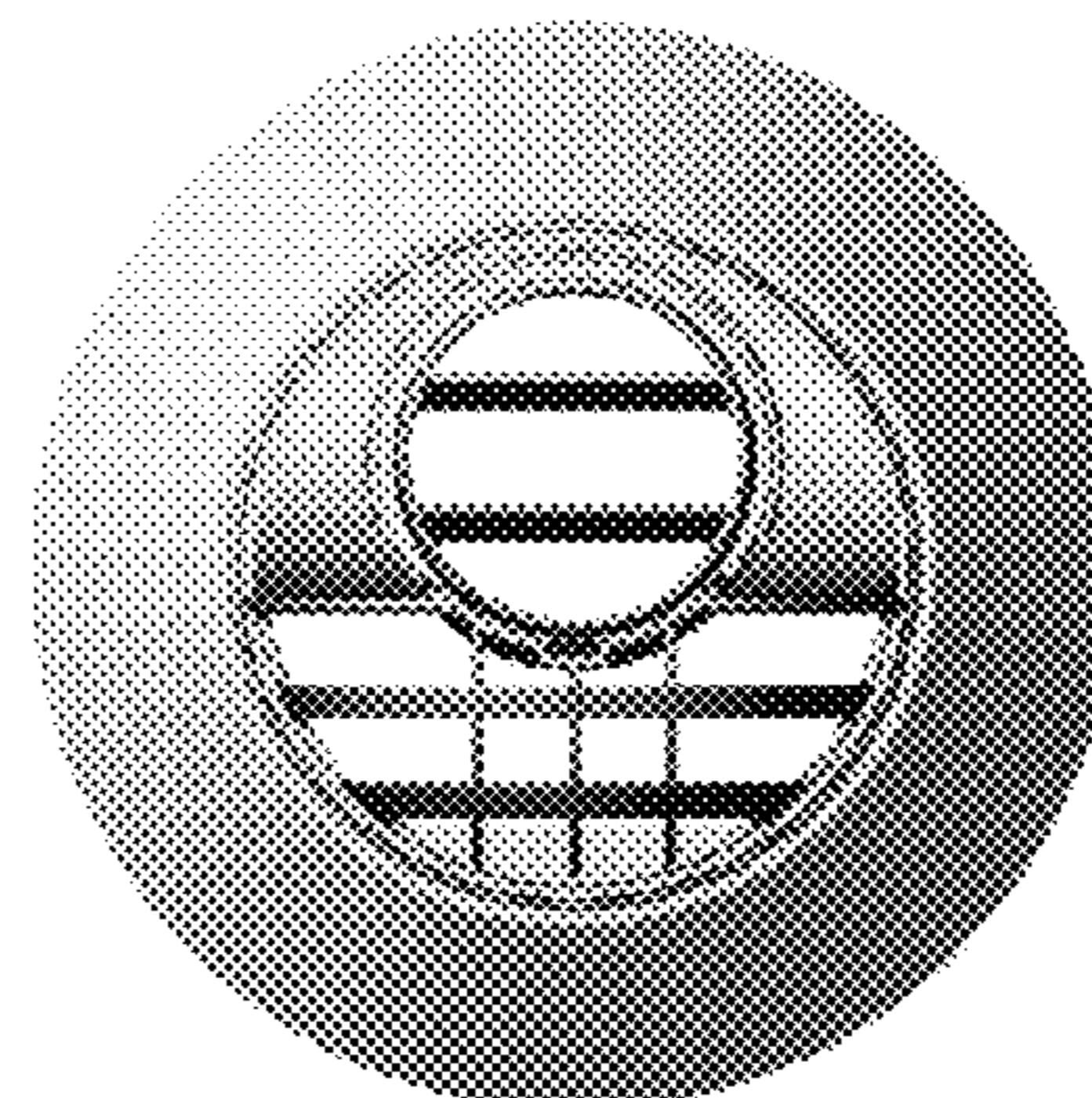
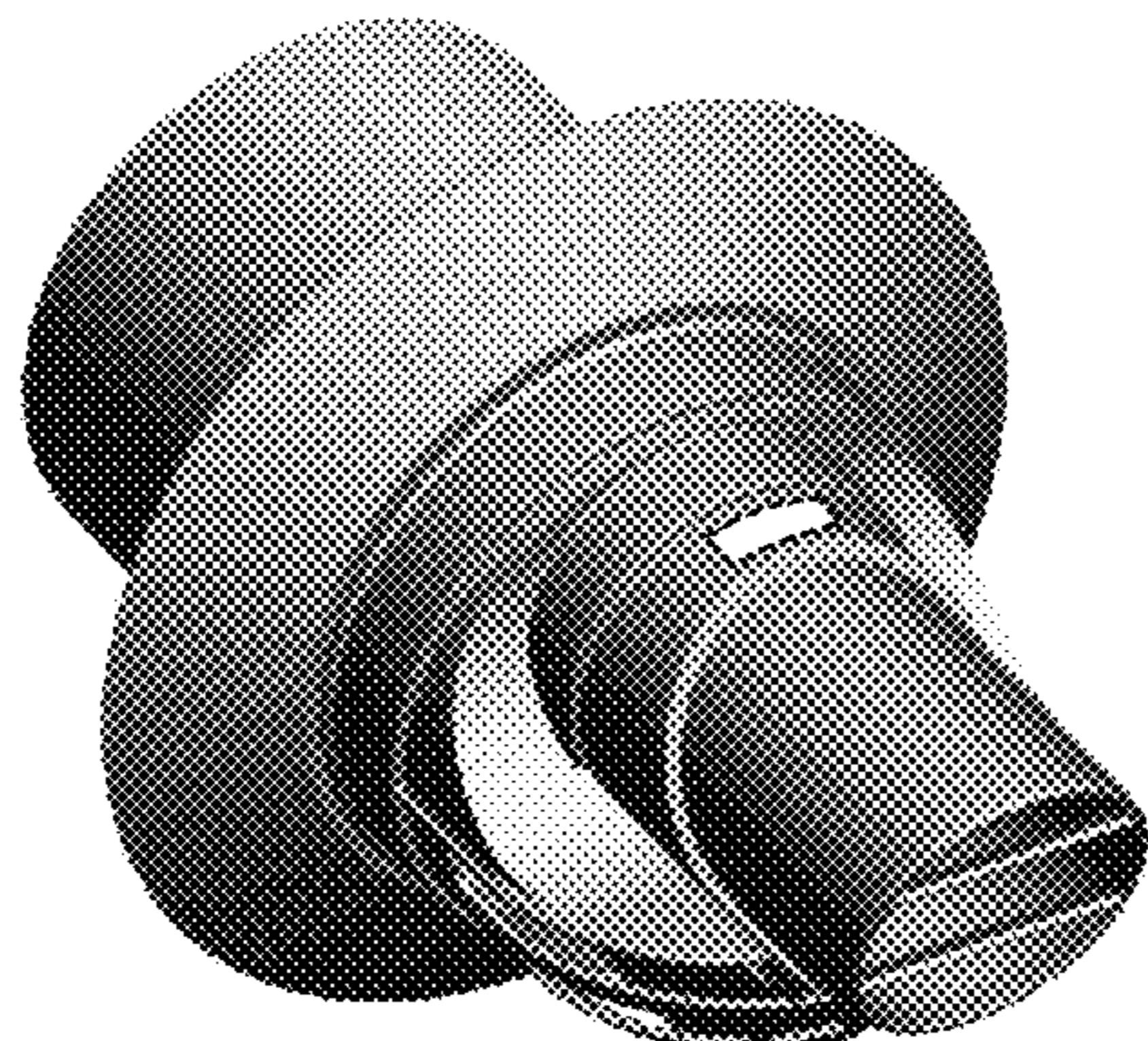
(57) **CLAIM**

The ornamental design for a wall duct, as shown and described.

DESCRIPTION

FIG. 1 is a front perspective view of a wall duct;
FIG. 2 is a front elevation view thereof;
FIG. 3 is a rear elevation view thereof;
FIG. 4 is an elevation view as viewed from the left side thereof;
FIG. 5 is an elevation view as viewed from the right side thereof;
FIG. 6 is a top plan view thereof; and,
FIG. 7 is a bottom plan view thereof.

(Continued)



The broken line showing of the wall duct is for the purpose of illustrating portions of the wall duct and forms no part of the claimed design.

1 Claim, 4 Drawing Sheets

(56)

References Cited

U.S. PATENT DOCUMENTS

4,109,754 A * 8/1978 Purhonen F01N 1/02
181/252
D363,773 S * 10/1995 Nishizawa D12/345
D373,184 S * 8/1996 Nishizawa D12/345
5,567,230 A * 10/1996 Sinclair B64D 11/00
454/154
D417,498 S * 12/1999 Meyer D23/386
D428,483 S * 7/2000 Balint D23/387
6,148,776 A * 11/2000 Liejonberg F01B 9/06
123/51 R
D450,518 S * 11/2001 Frederick D6/630
D475,131 S * 5/2003 Pilger D23/393
D521,631 S * 5/2006 Habensus D23/388
D554,249 S * 10/2007 Holmgren D23/386
D557,788 S * 12/2007 Eloranta 24/110
D558,325 S * 12/2007 Karnes D23/393
D560,531 S * 1/2008 Cleland D10/104.1
D571,834 S * 6/2008 Young D15/138
D578,193 S * 10/2008 Lo D23/332
D609,798 S * 2/2010 Matejczuk D23/374
D635,239 S * 3/2011 Liebson D23/393
D635,658 S * 4/2011 Warby D24/110
D652,983 S * 1/2012 Quadri D26/118
D665,902 S * 8/2012 Esjunin D23/499
D670,369 S * 11/2012 Cassell D23/328
D670,796 S * 11/2012 Cassell D23/317
D670,797 S * 11/2012 Cassell D23/317
D676,951 S * 2/2013 Winkler D23/370
D681,796 S * 5/2013 Han D23/390
D681,797 S * 5/2013 Gustafsson D23/393
D716,934 S * 11/2014 Hertreiter D23/365

D717,422 S * 11/2014 Forlong D23/393
D726,288 S * 4/2015 Sisk D23/263
D726,896 S * 4/2015 Rohskopf D23/387
D727,489 S * 4/2015 Rohskopf D23/388
D729,926 S * 5/2015 Tomasiak D23/388
D730,510 S * 5/2015 Schanzenbach D23/393
D731,634 S * 6/2015 Page D23/365
D745,117 S * 12/2015 Ramey D23/262
D748,228 S * 1/2016 Bayyouk D23/269
D749,702 S * 2/2016 Rohn D23/259
D754,835 S * 4/2016 Uehara D23/371
D755,729 S * 5/2016 Smith D13/155
D756,429 S * 5/2016 Myren, Jr. D15/138
D760,369 S * 6/2016 Ertze D23/385
D760,704 S * 7/2016 Wise D14/227
D761,397 S * 7/2016 DeNooy D23/262
D776,796 S * 1/2017 Denooy D23/262
2006/0111037 A1* 5/2006 Poirier F16L 37/26
454/270
2006/0199493 A1* 9/2006 Hartmann B63J 2/10
454/81
2008/0182504 A1* 7/2008 Dijk F24F 13/082
454/276
2012/0199315 A1* 8/2012 Barreau B64C 1/067
165/42
2014/0308171 A1* 10/2014 Army C01B 13/0203
422/120
2016/0201851 A1* 7/2016 Kim B65D 83/425
220/581
2016/0252204 A1* 9/2016 DeVilliers F16L 55/0336
181/249
2017/0002747 A1* 1/2017 Fert B64D 13/00

OTHER PUBLICATIONS

Floor drainage channel, image post date Jul. 27, 2014, site visited Feb. 18, 2017, (online), <<https://www.tineye.com/search/02f4c8806f73758f3a6509115a379ffb4de043f0/>>.*
Bolrooster RVS, image post date 2012, site visited Feb. 18, 2017, (online), <<https://www.ventilatieshop.com/bolrooster-rvs-200mm-met-grofmazig-gaas-hoge-doorlaat/>>.*

* cited by examiner

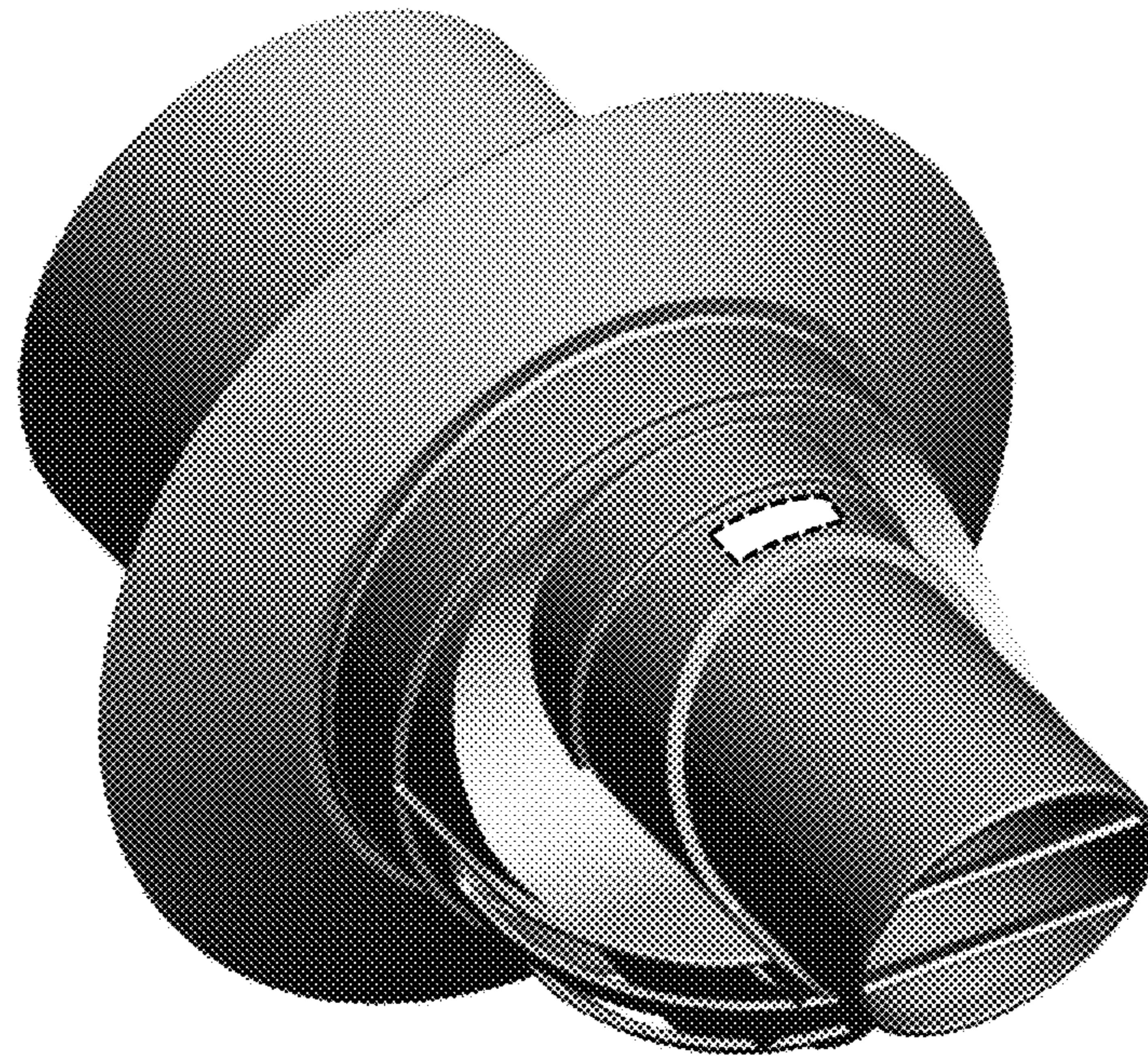


Figure 1

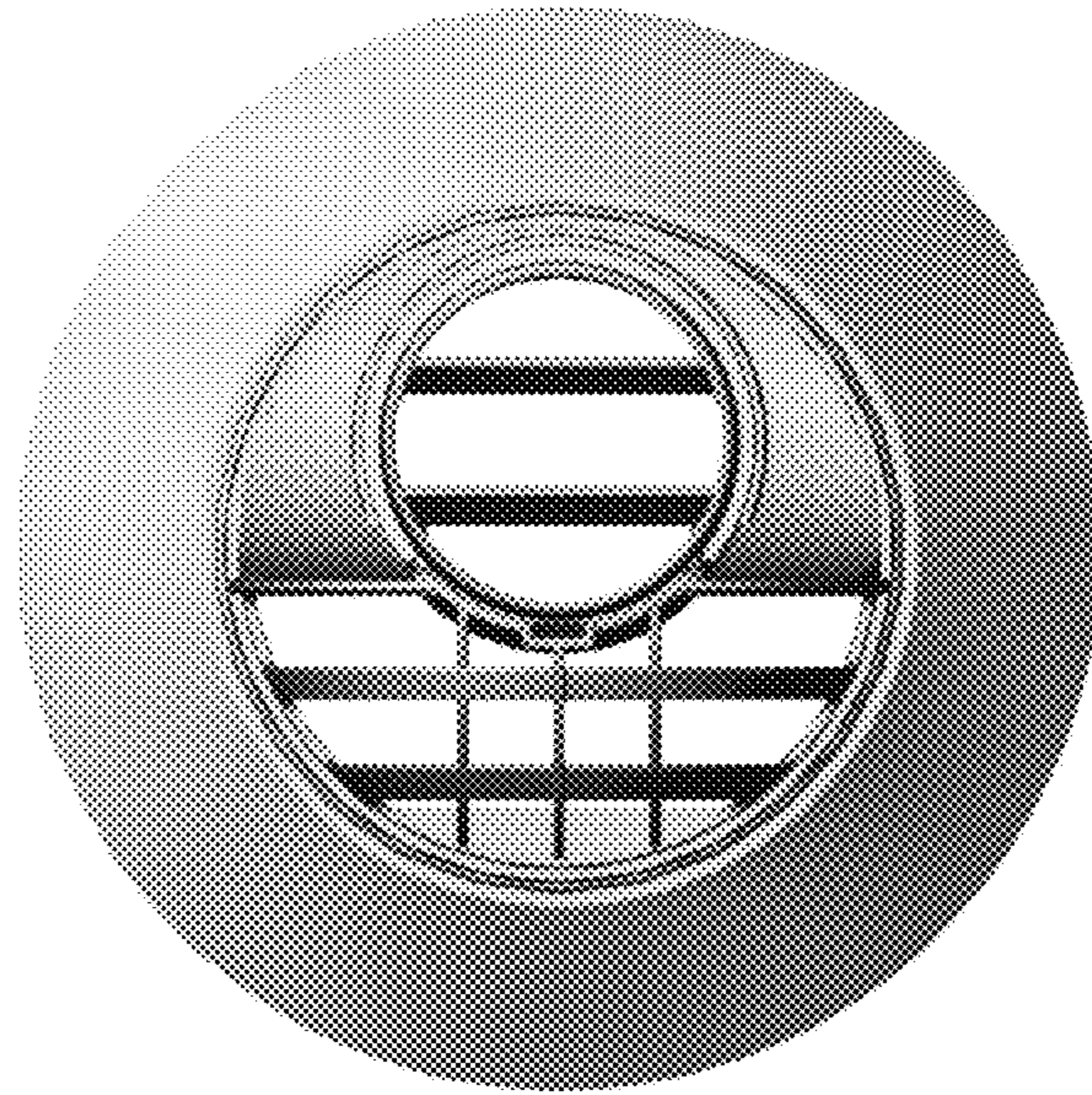


Figure 2

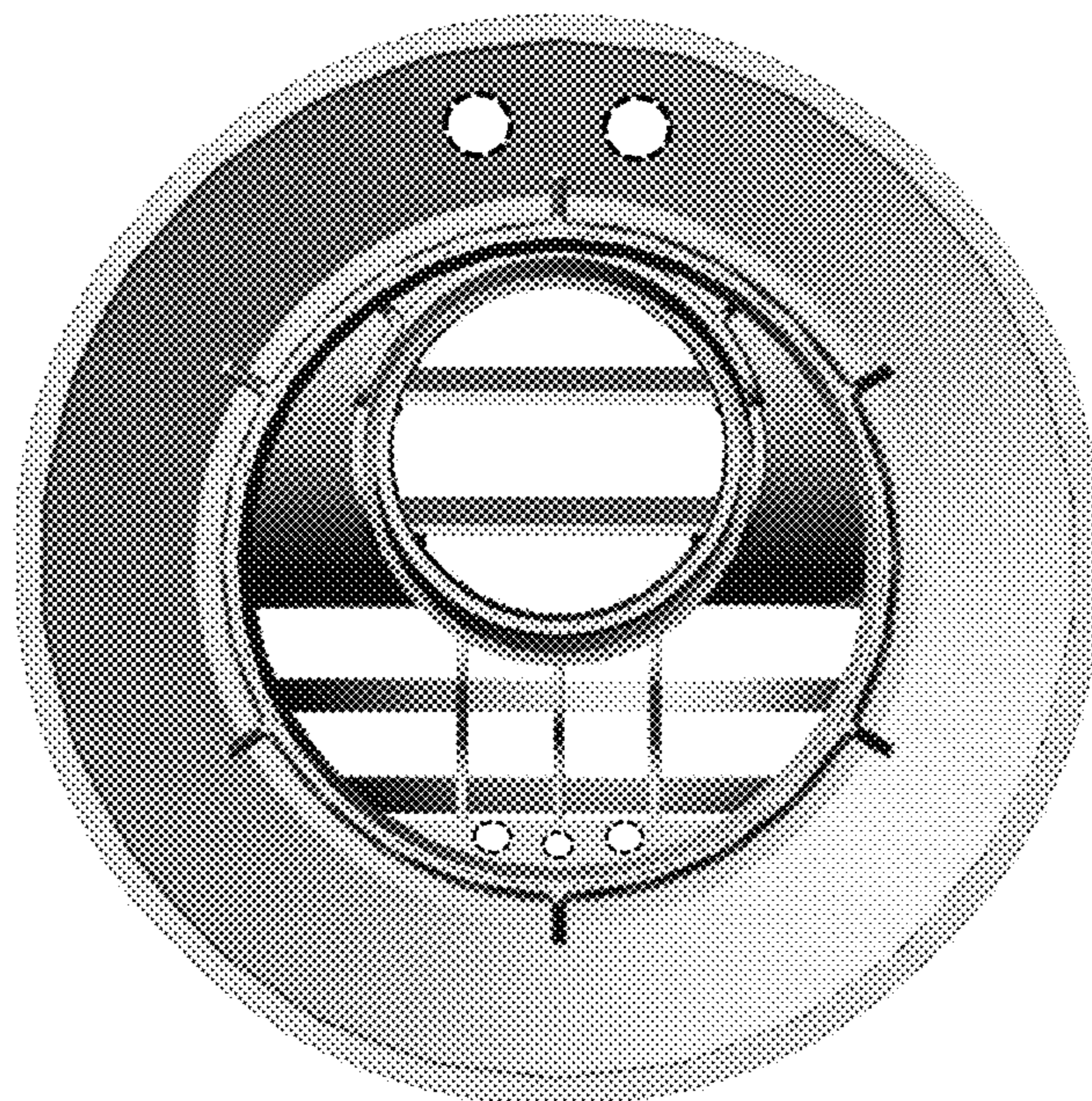


Figure 3

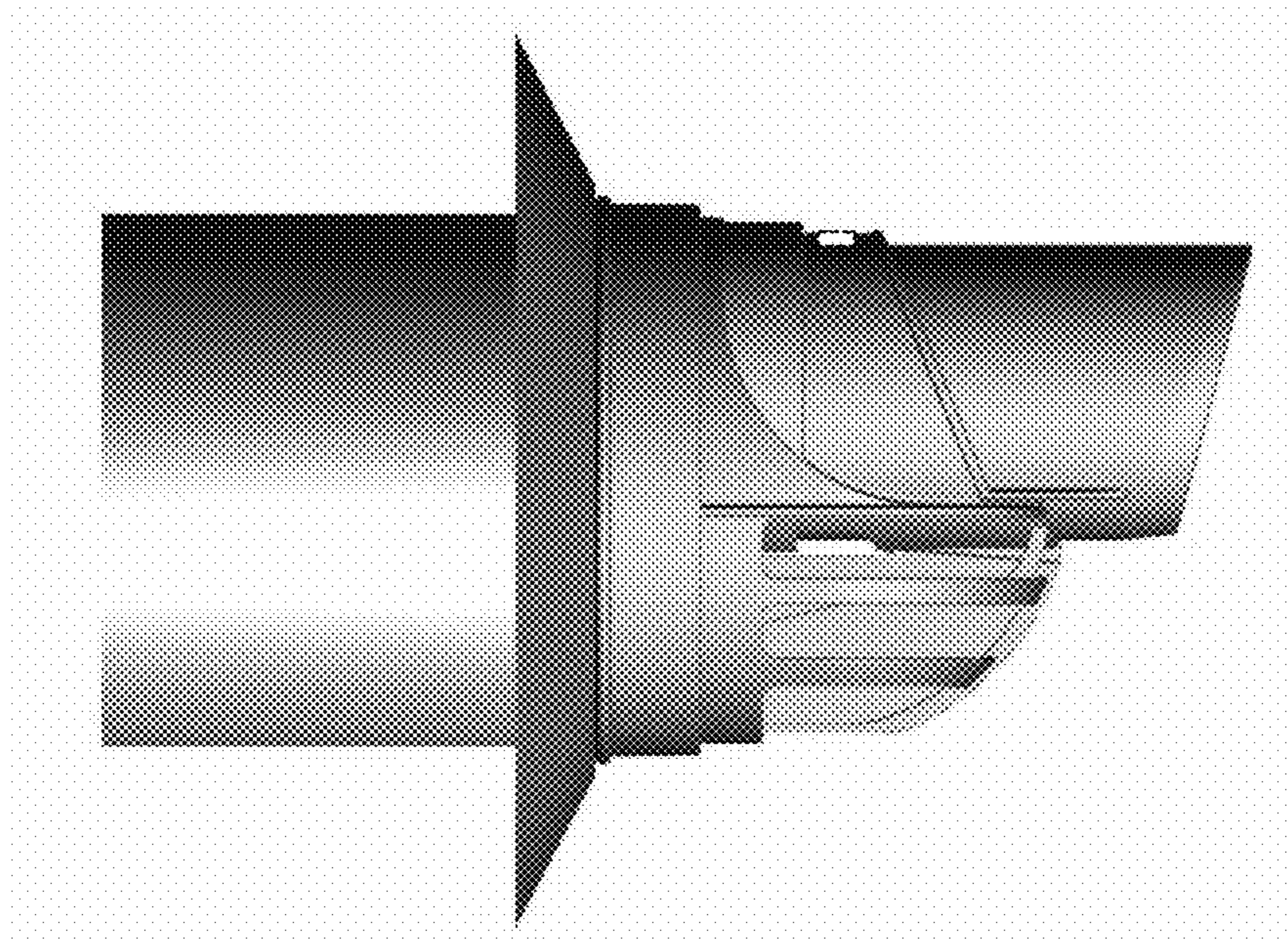


Figure 4

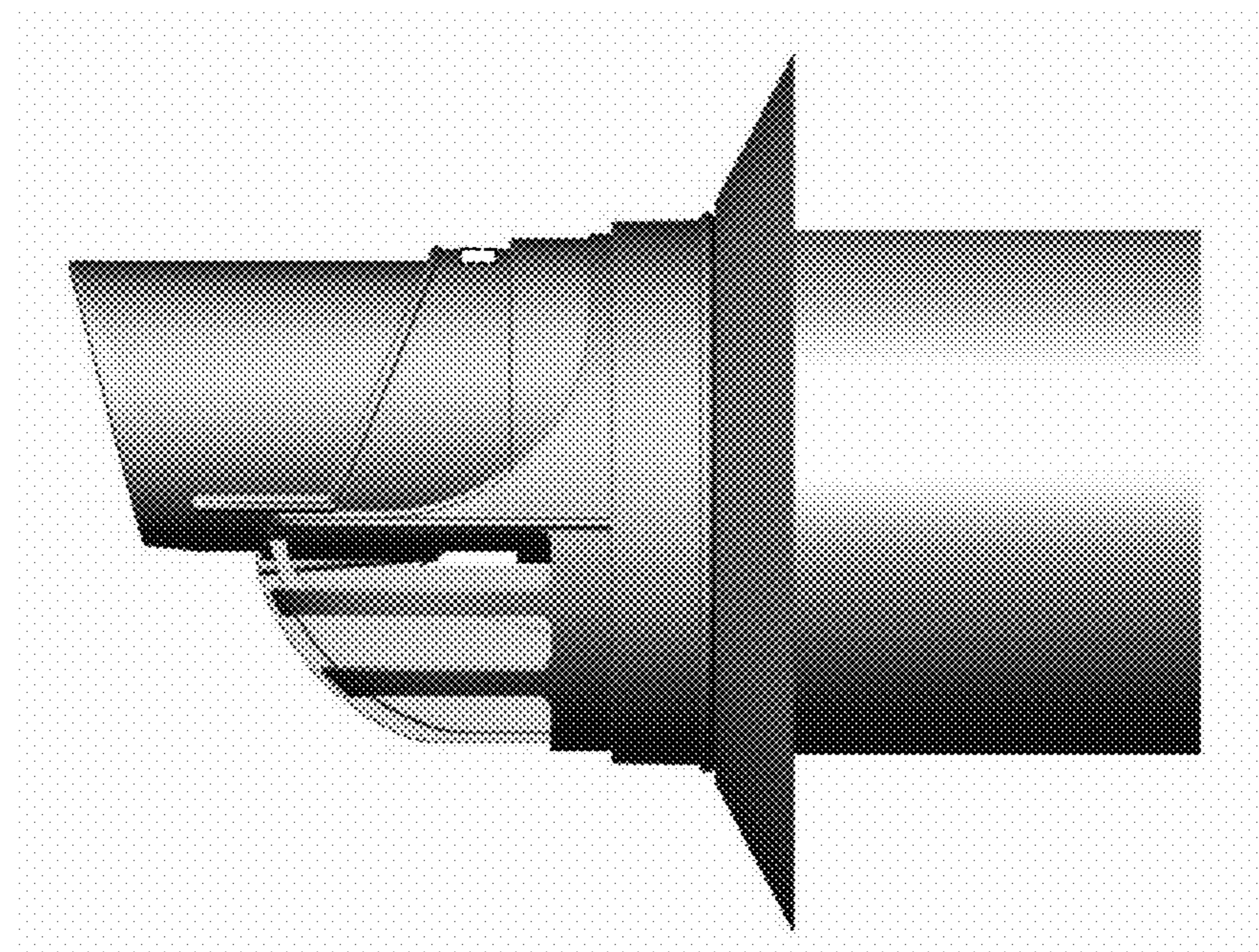


Figure 5

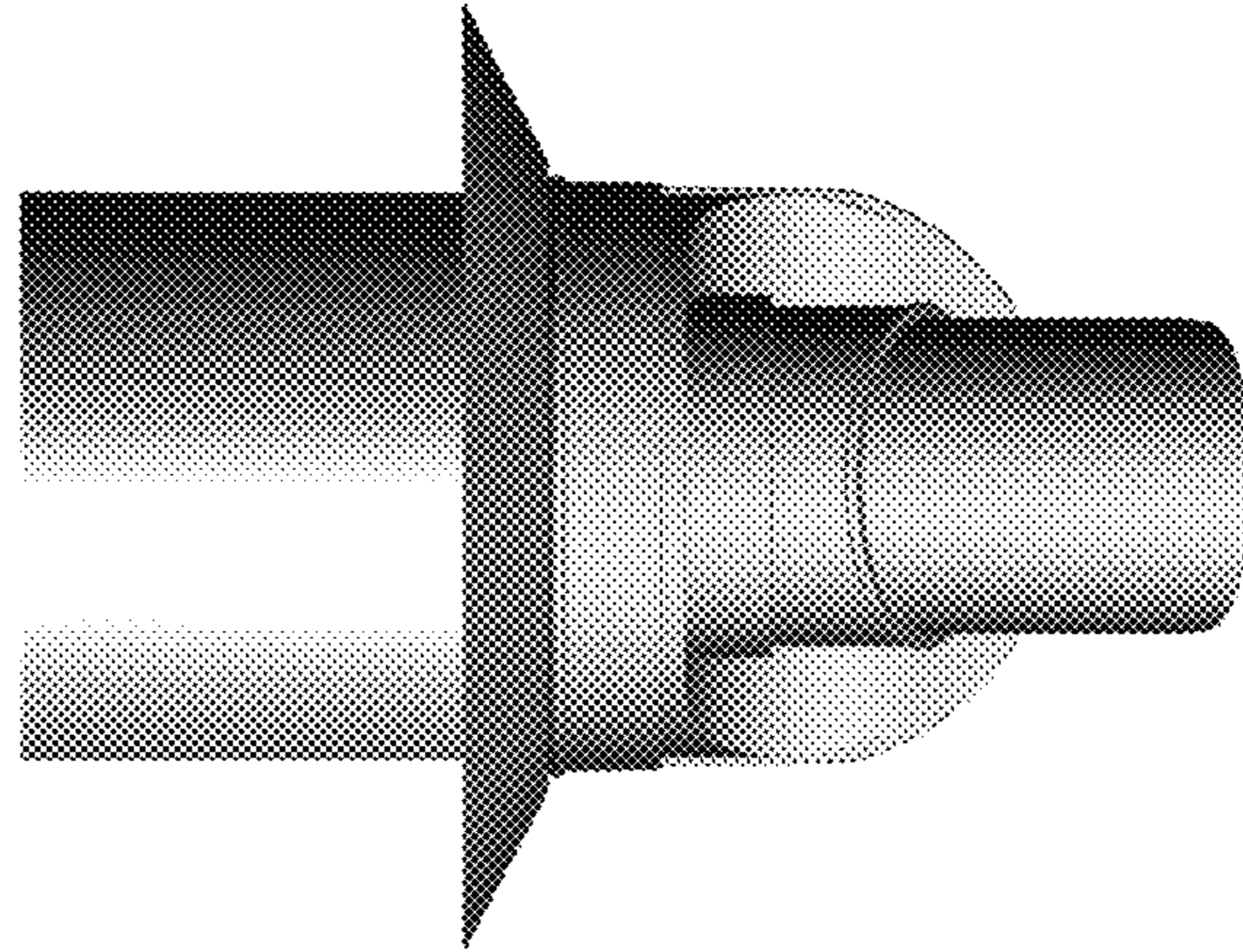


Figure 6

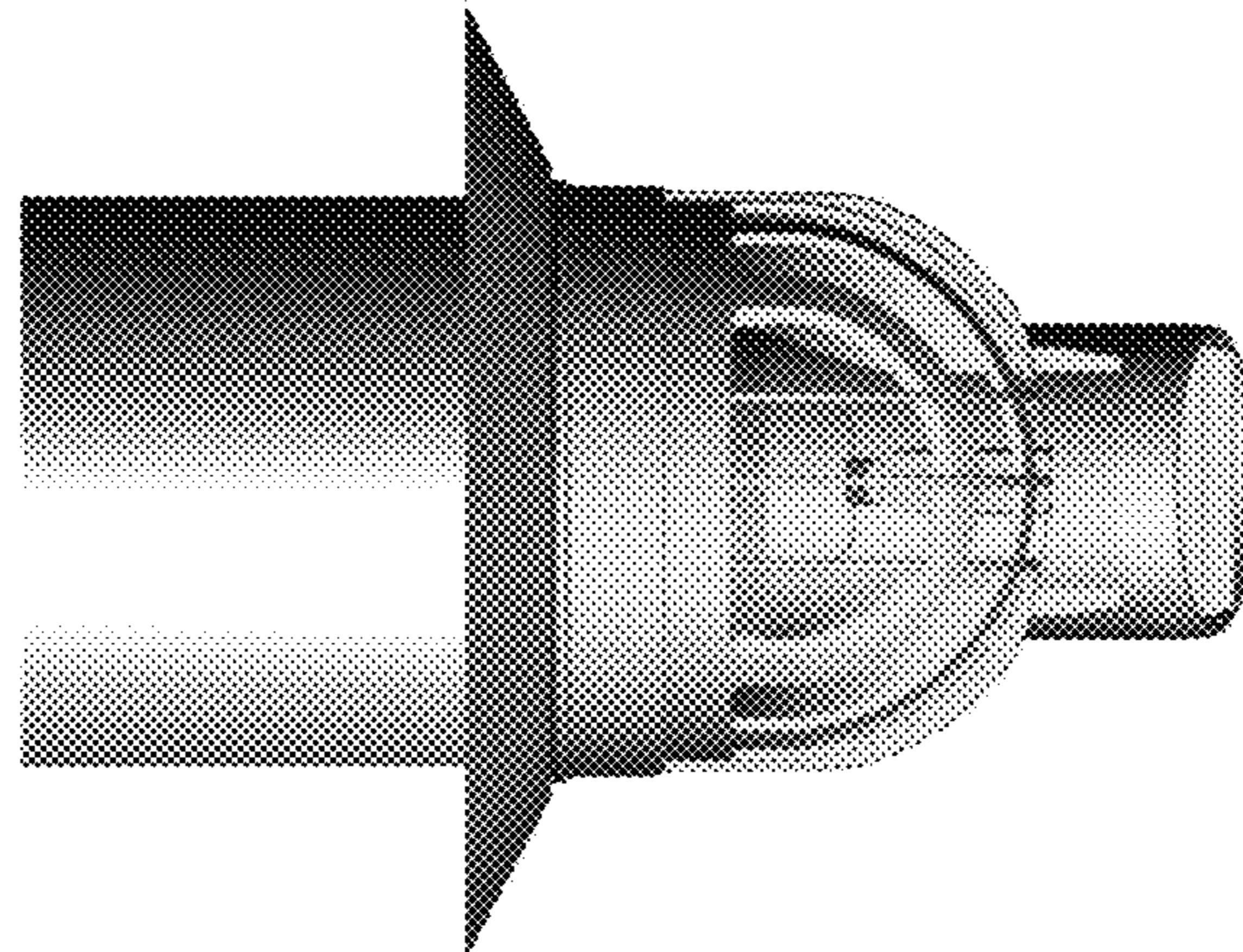


Figure 7