



US00D791296S

(12) **United States Design Patent** (10) **Patent No.:** **US D791,296 S**
Spitsnogle (45) **Date of Patent:** **** Jul. 4, 2017**

(54) **AIR TANK**
(71) Applicant: **Derek R. Spitsnogle**, Lincoln, NE (US)
(72) Inventor: **Derek R. Spitsnogle**, Lincoln, NE (US)
(**) Term: **14 Years**
(21) Appl. No.: **29/525,564**
(22) Filed: **Apr. 30, 2015**
(51) **LOC (10) Cl.** **23-04**
(52) **U.S. Cl.**
USPC **D23/363**; D12/114
(58) **Field of Classification Search**
USPC D23/363, 393, 386, 387; D12/114, 110,
D12/117, 126, 218, 402, 194, 127, 217;
D15/5
CPC F01N 2590/04; F01N 1/084; B60K 13/04;
B62K 11/04
See application file for complete search history.

(56) **References Cited**
U.S. PATENT DOCUMENTS
D388,366 S * 12/1997 Nishino D12/110
6,193,004 B1 * 2/2001 Cooksey B62K 11/04
180/219
6,334,501 B1 * 1/2002 Kawamoto B60K 13/04
180/219
D460,726 S * 7/2002 Campbell D12/194
D522,930 S * 6/2006 Stahel D12/126
D528,045 S * 9/2006 Yin D12/110
D528,488 S * 9/2006 Webb D12/194
D575,682 S * 8/2008 Norment D12/126
D582,319 S * 12/2008 Miwa D12/110
D588,503 S * 3/2009 Idei D12/110
D593,014 S * 5/2009 Marovič D12/194
D593,456 S * 6/2009 Sasaki D12/110
D610,044 S * 2/2010 Sugimoto D12/110

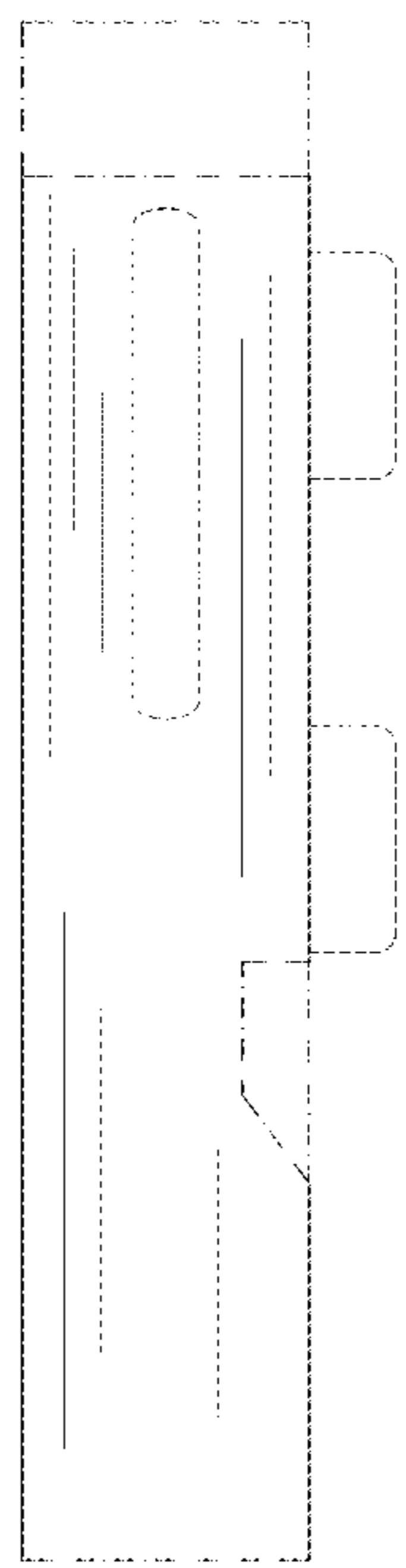
D689,406 S * 9/2013 Yasuhara D12/110
D707,602 S * 6/2014 Chou D12/194
D708,102 S * 7/2014 Chou D12/194
D716,702 S * 11/2014 Song D12/110
2008/0190683 A1 * 8/2008 Hoeve B60K 13/06
180/229

* cited by examiner
Primary Examiner — George D. Kirschbaum
Assistant Examiner — Clese Moore, Jr.
(74) *Attorney, Agent, or Firm* — Advent, LLP

(57) **CLAIM**
The ornamental design for an air tank, as shown and described.

DESCRIPTION
FIG. 1 is a top plan view of an air tank.
FIG. 2 is a bottom plan view of the air tank of FIG. 1.
FIG. 3 is a first end elevation view of the air tank of FIG. 1.
FIG. 4 is a second end elevation view of the air tank of FIG. 1.
FIG. 5 is a first side elevation view of the air tank of FIG. 1.
FIG. 6 is a second side elevation view of the air tank of FIG. 1.
FIG. 7 is an isometric view of the air tank of FIG. 1.
FIG. 8 is another isometric view of the air tank of FIG. 1; and,
FIG. 9 is a perspective view of an air tank shown in use on a motorcycle.
The broken and dash-dot-dash boundary lines shown illustrate portions of the air tank and environment that form no part of the claimed design.

1 Claim, 9 Drawing Sheets



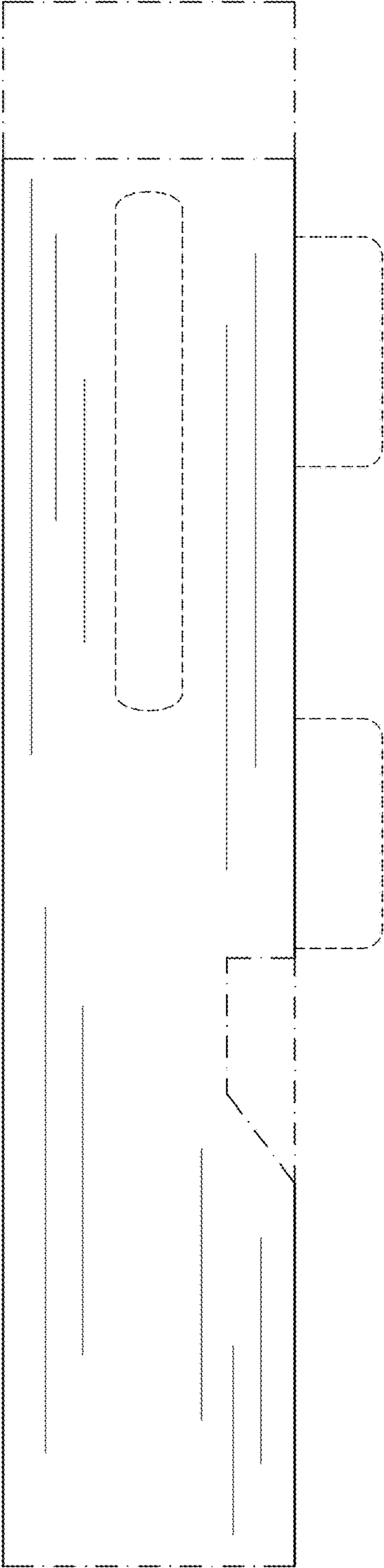


FIG. 1

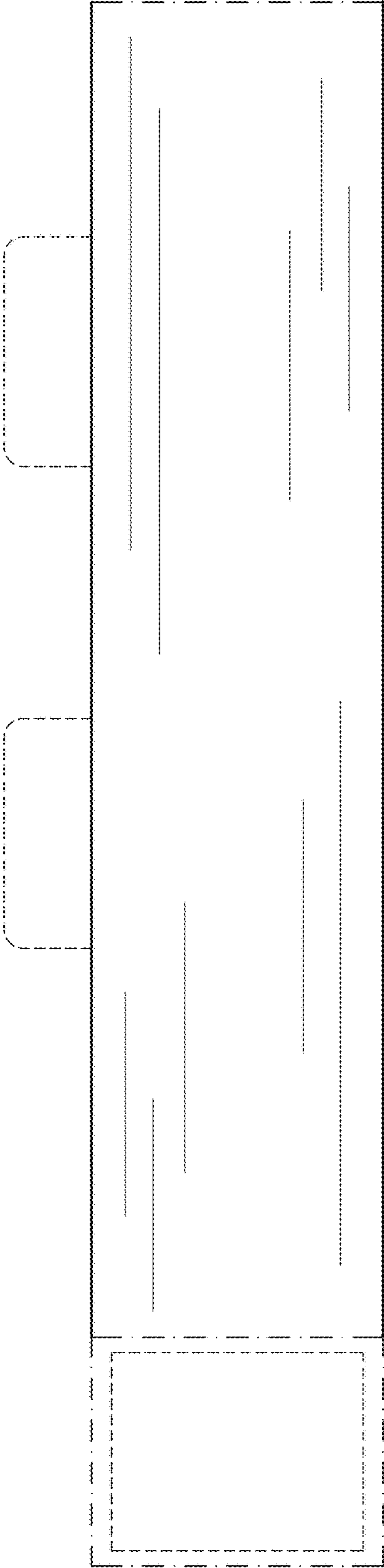


FIG. 2

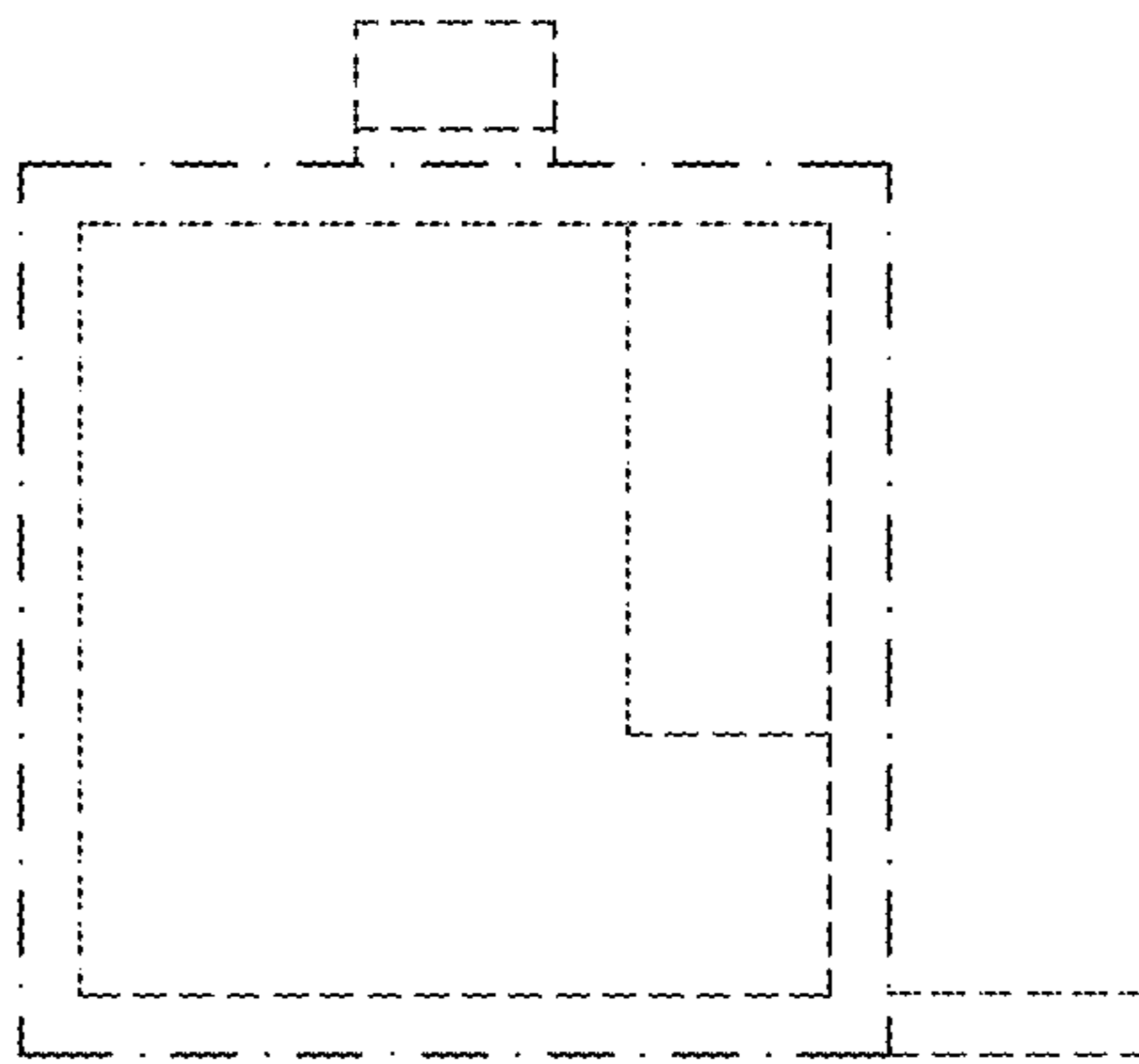


FIG. 3

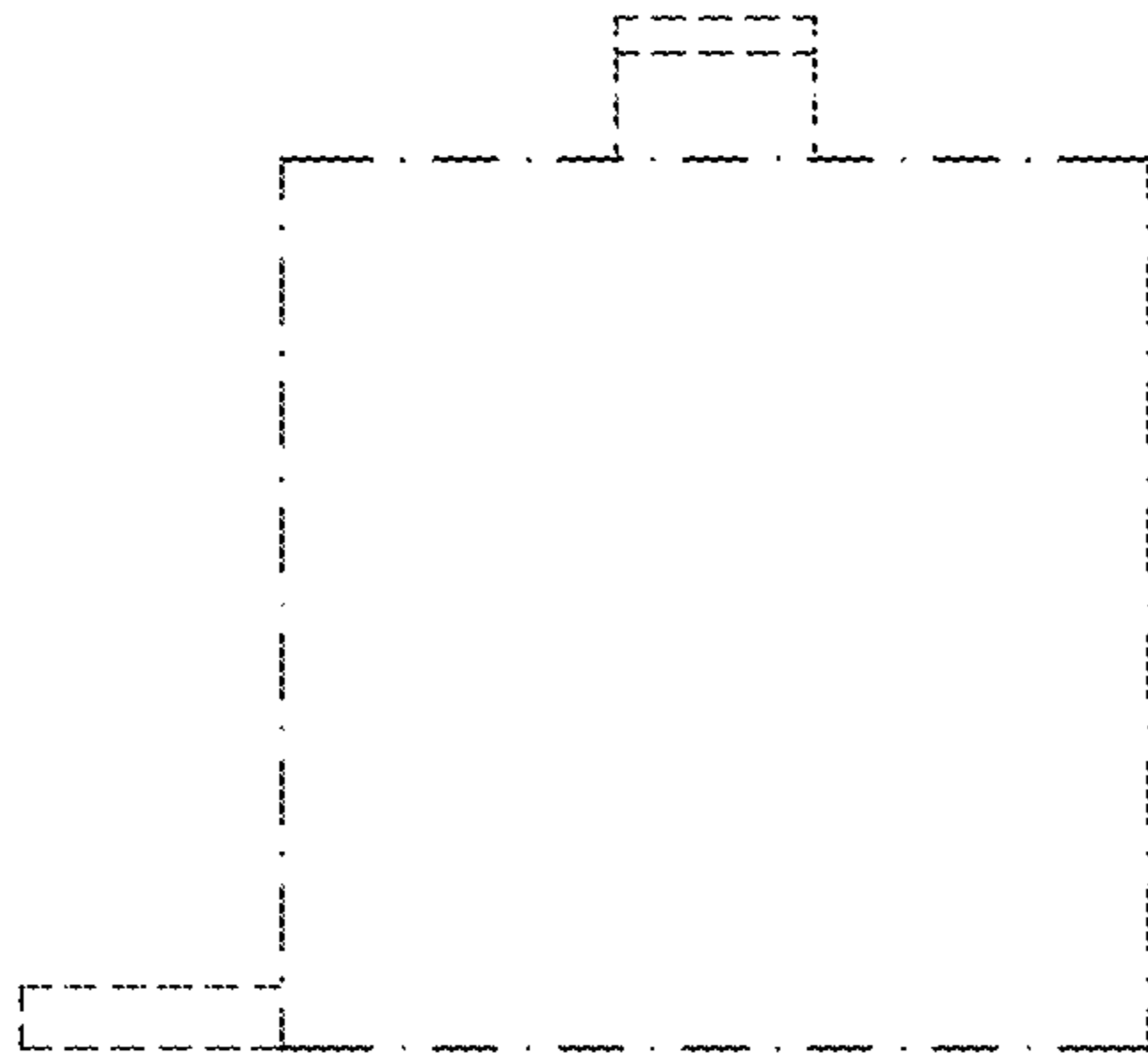


FIG. 4

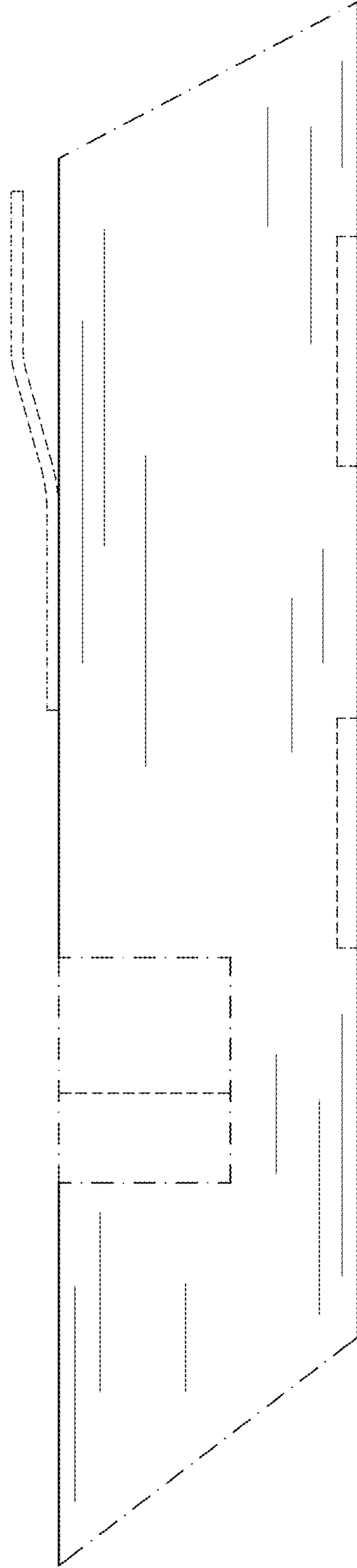


FIG. 5

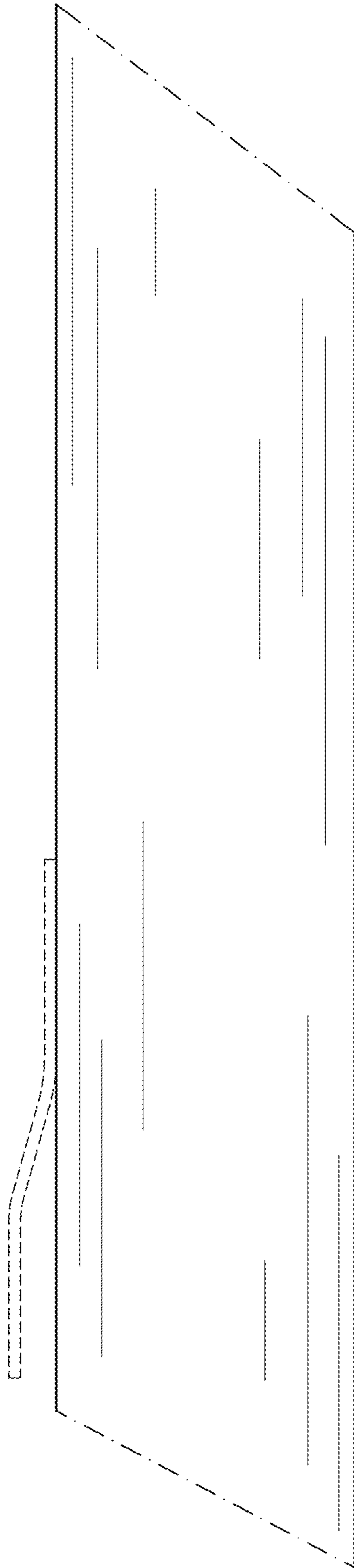


FIG. 6

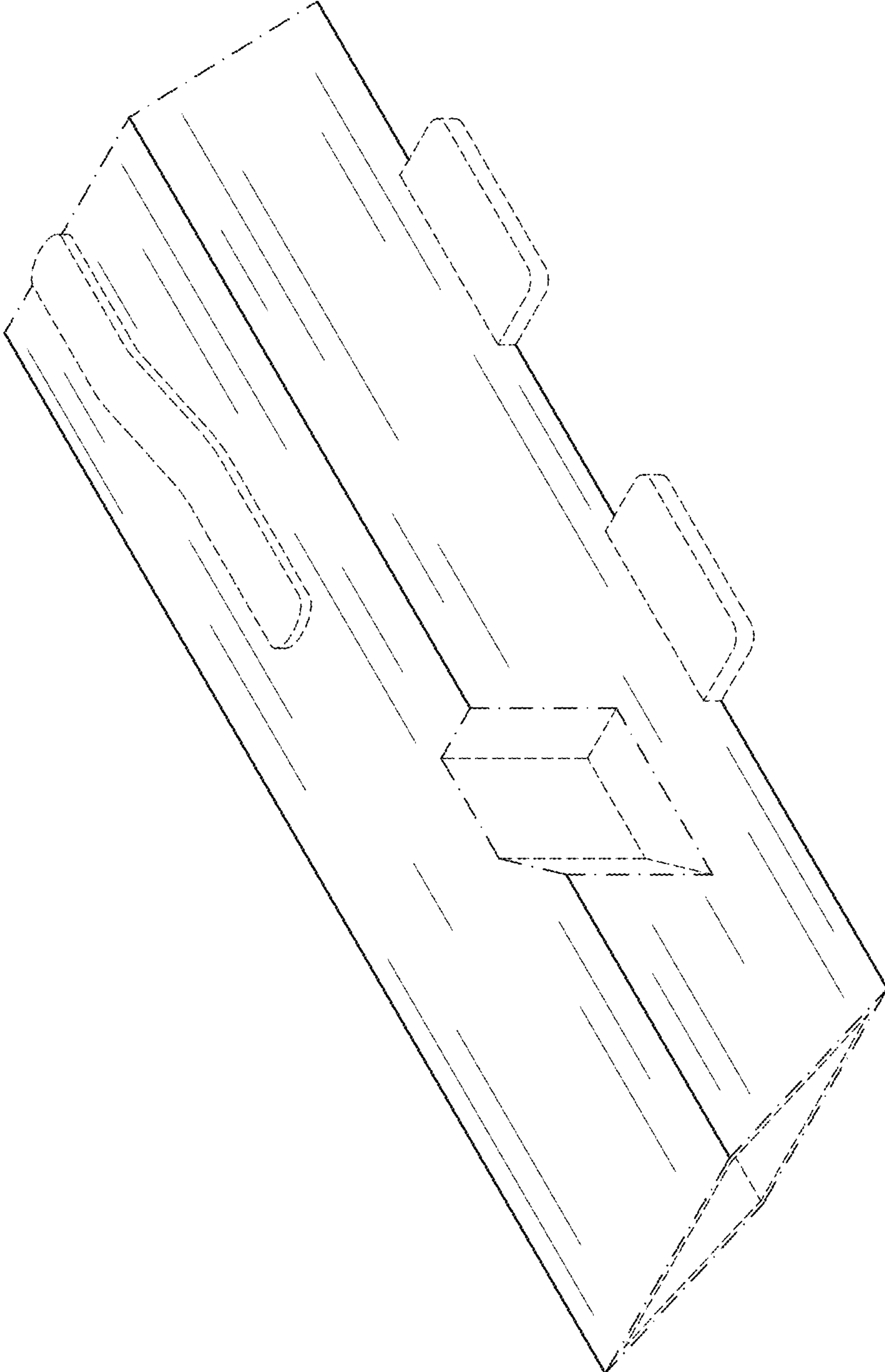


FIG. 7

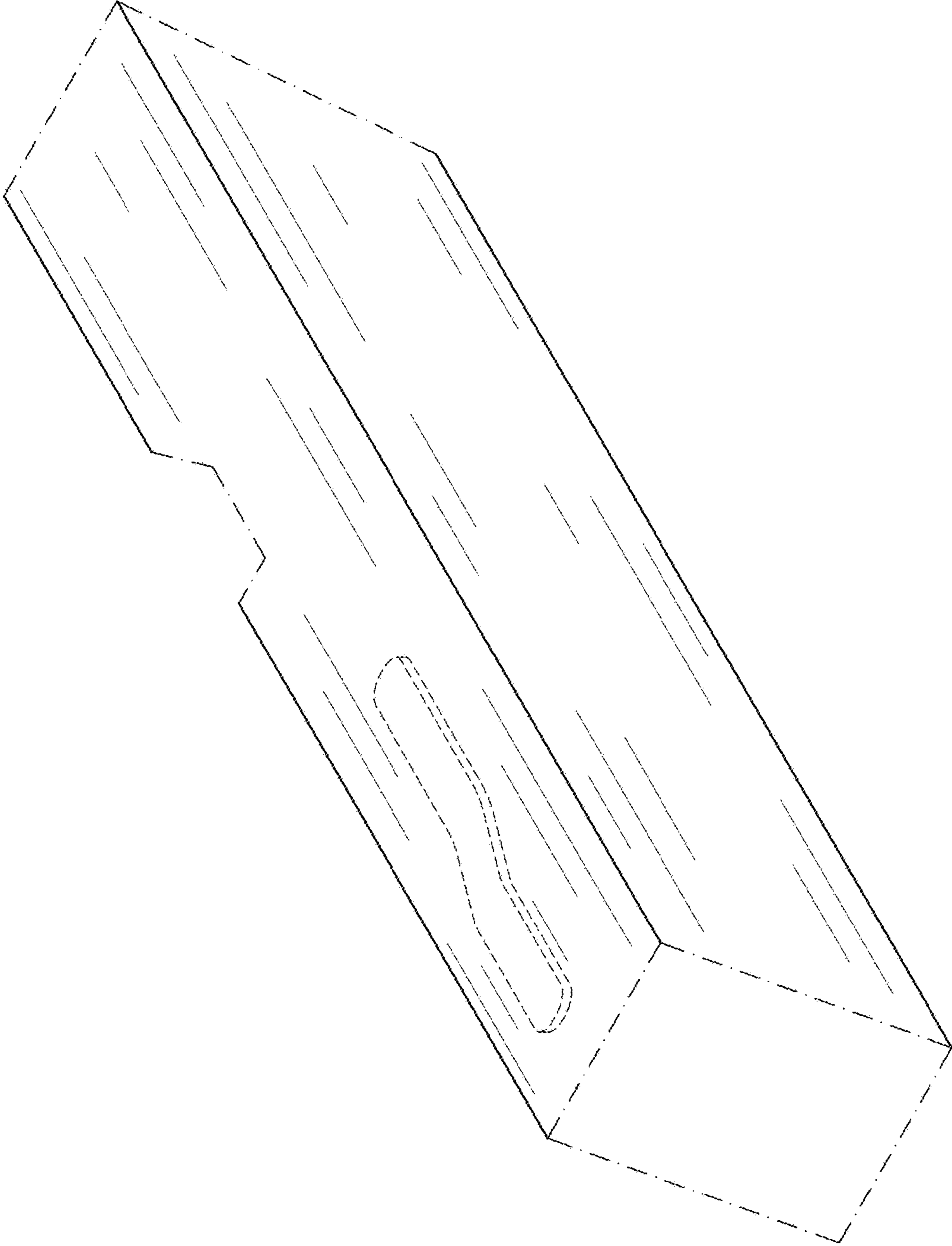


FIG. 8

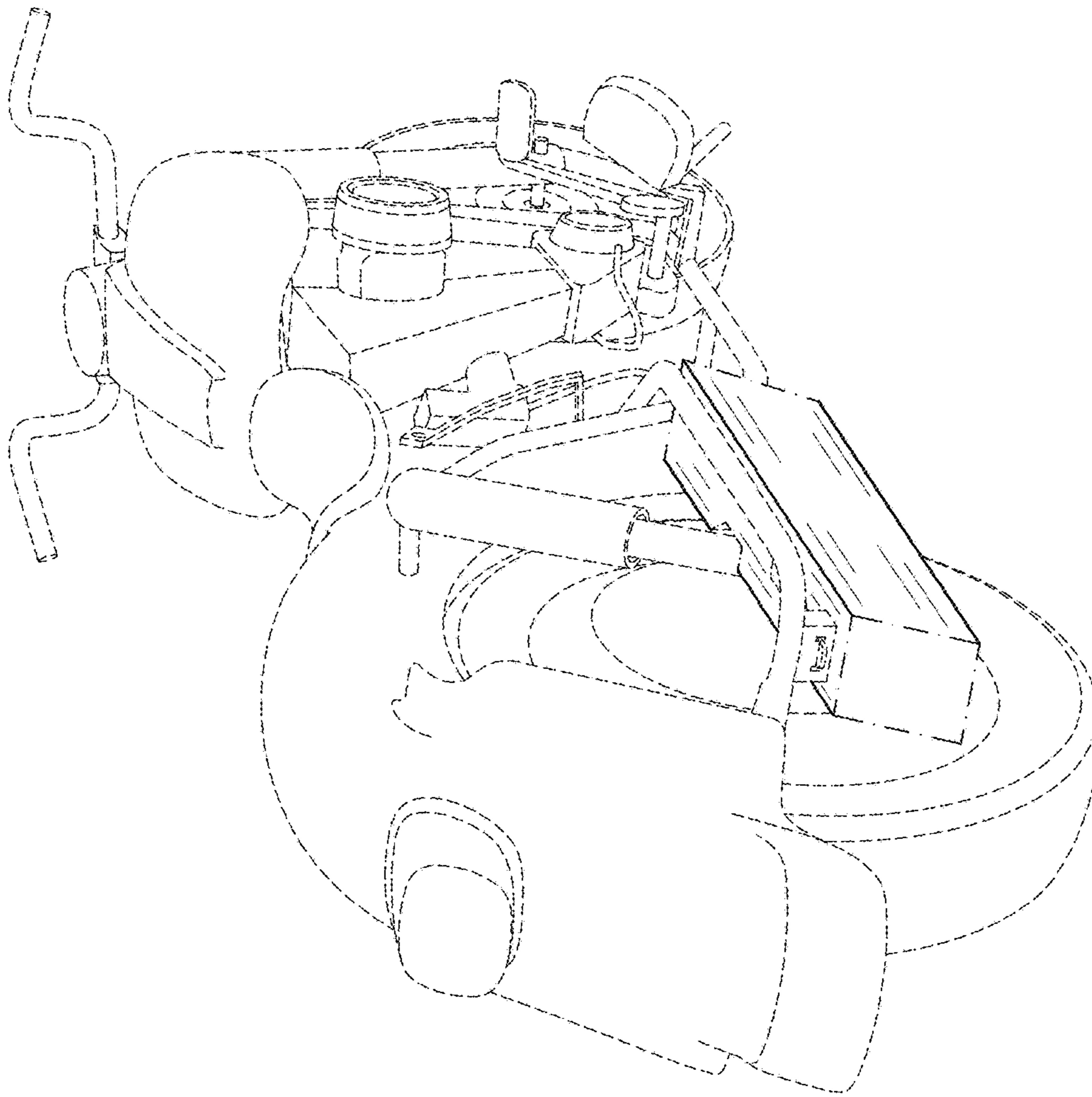


FIG. 9