



US00D791295S

(12) **United States Design Patent**
Wetzel

(10) **Patent No.:** **US D791,295 S**

(45) **Date of Patent:** **** Jul. 4, 2017**

(54) **NARROW PROFILE CONDENSING UNIT**

(71) Applicant: **Air Innovations, Inc.**, North Syracuse,
NY (US)

(72) Inventor: **Michael Wetzel**, Skaneateles, NY (US)

(73) Assignee: **Air Innovations, Inc.**, North Syracuse,
NY (US)

(**) Term: **15 Years**

(21) Appl. No.: **29/549,800**

(22) Filed: **Dec. 28, 2015**

(51) **LOC (10) Cl.** **23-04**

(52) **U.S. Cl.**
USPC **D23/351**

(58) **Field of Classification Search**
USPC D23/333, 335, 341, 342, 351, 353, 354,
D23/355, 356, 359, 364, 365, 370, 385,
D23/386, 388, 393
CPC F24F 1/00; F24F 1/0007; F24F 1/02; F24F
1/08; F24F 1/42; F24F 1/56; F24F 1/60;
F24F 3/044; F24F 3/048; F24F 3/16;
F24F 7/00; F24F 7/04; F24F 12/001;
F24F 12/006

See application file for complete search history.

(56) **References Cited**

U.S. PATENT DOCUMENTS

D465,453 S * 11/2002 Chan D13/110
D493,215 S * 7/2004 Asaoka D23/351
D553,725 S * 10/2007 Shimizu D23/351
D559,973 S * 1/2008 Rabito D23/412

D573,708 S * 7/2008 Beretta D23/412
D579,536 S * 10/2008 Oh D23/351
D683,834 S * 6/2013 Katou D23/351
D715,909 S * 10/2014 Shiota D23/351
D758,309 S * 6/2016 Terada D13/112

* cited by examiner

Primary Examiner — George D. Kirschbaum

Assistant Examiner — Natasha Vujcic

(74) *Attorney, Agent, or Firm* — Harris Beach PLLC

(57) **CLAIM**

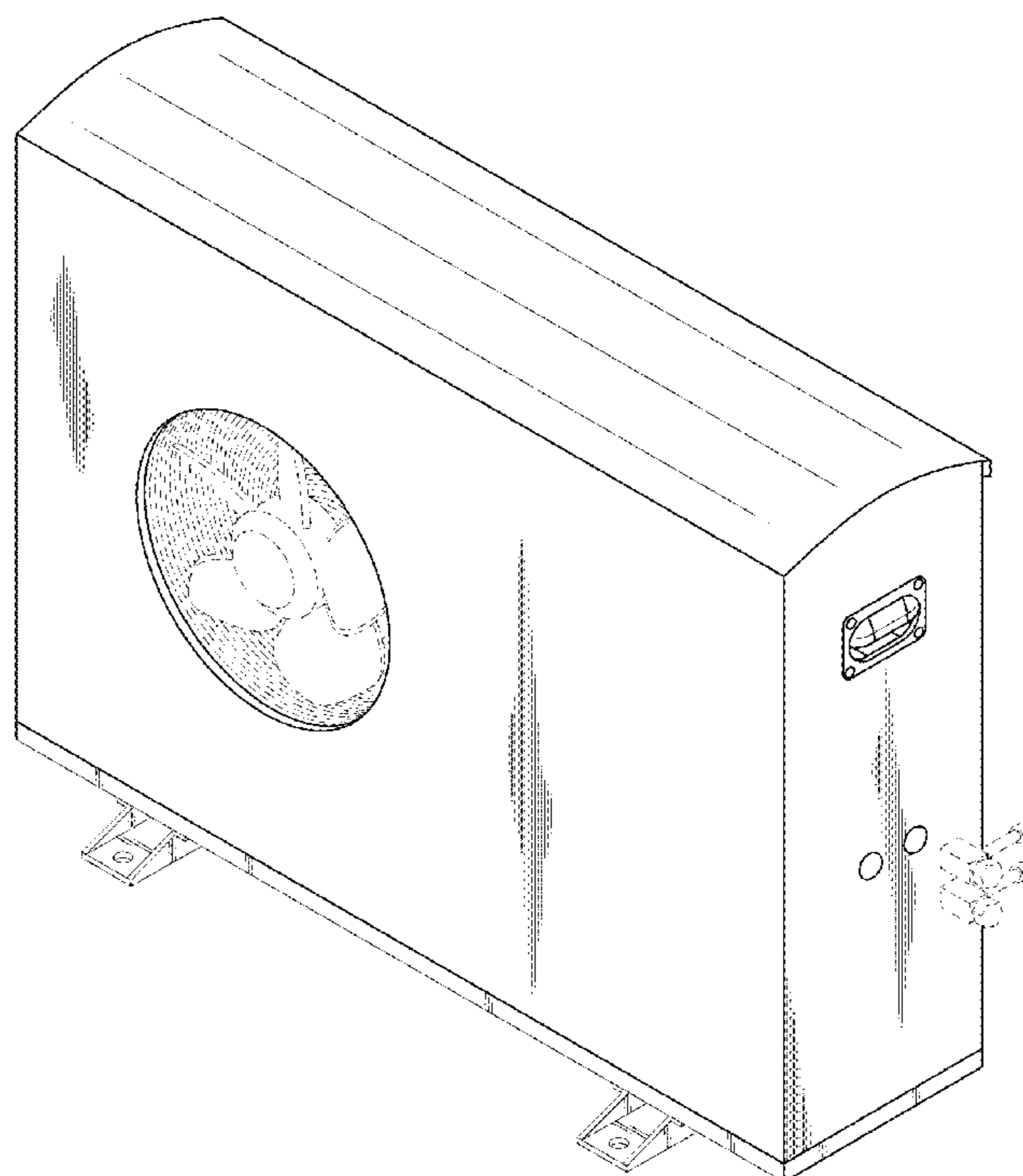
The ornamental design for a narrow profile condensing unit,
as shown and described.

DESCRIPTION

FIG. 1 is a perspective view of the narrow profile condens-
ing unit, showing my design;
FIG. 2 is a front elevational view of the my narrow profile
condensing unit of my design;
FIG. 3 is a back elevational view of the narrow profile
condensing unit of my design;
FIG. 4 is a left side elevational view of the narrow profile
condensing unit of my design;
FIG. 5 is a right side elevational view of the narrow profile
condensing unit of my design;
FIG. 6 is a top elevational view of the narrow profile
condensing unit of my design; and,
FIG. 7 is a bottom elevational view of the narrow profile
condensing unit of my design.

The broken lines in the drawings illustrate portions of the
narrow profile condensing unit which form no part of the
claimed design.

1 Claim, 5 Drawing Sheets



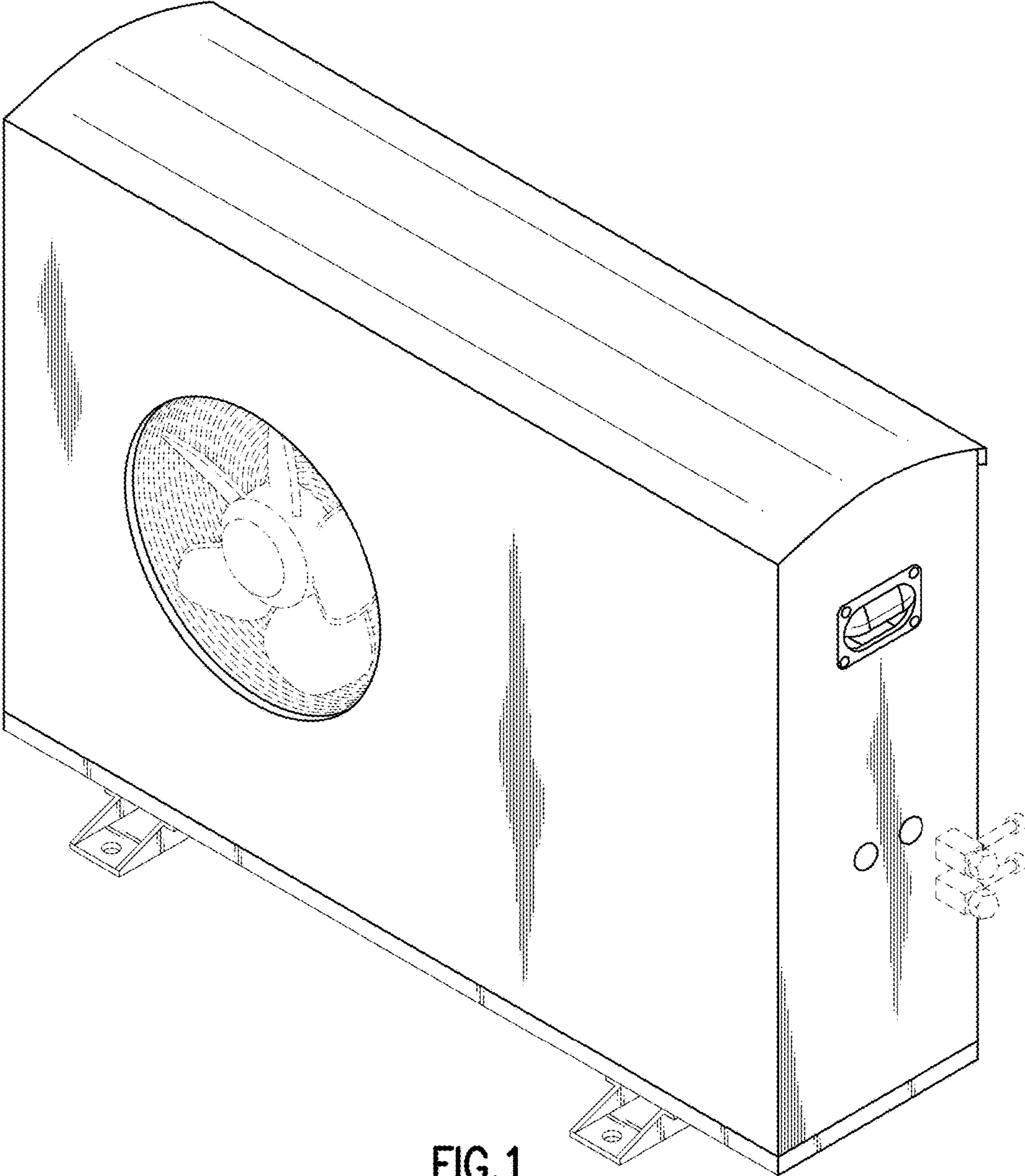


FIG. 1

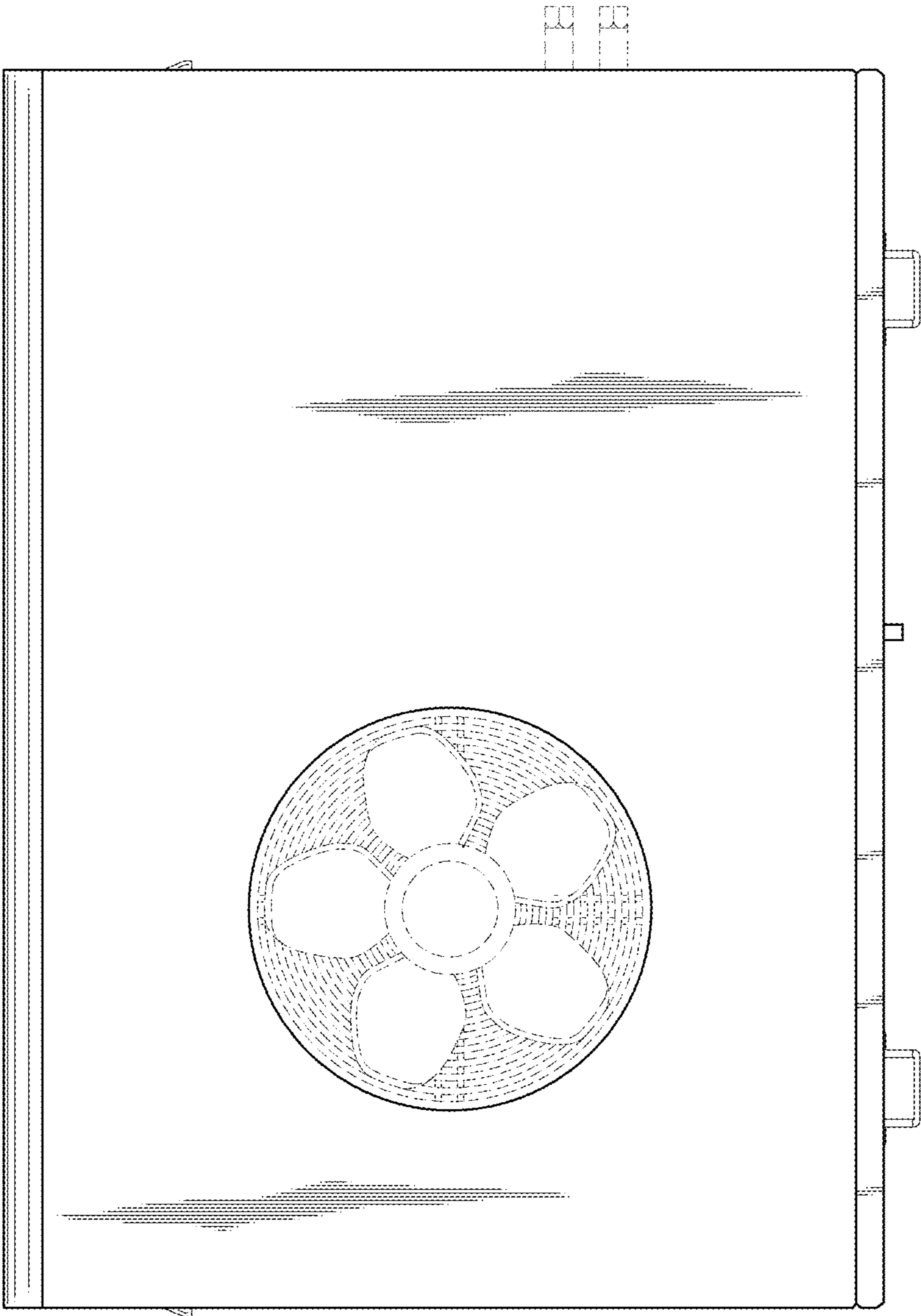


FIG. 2

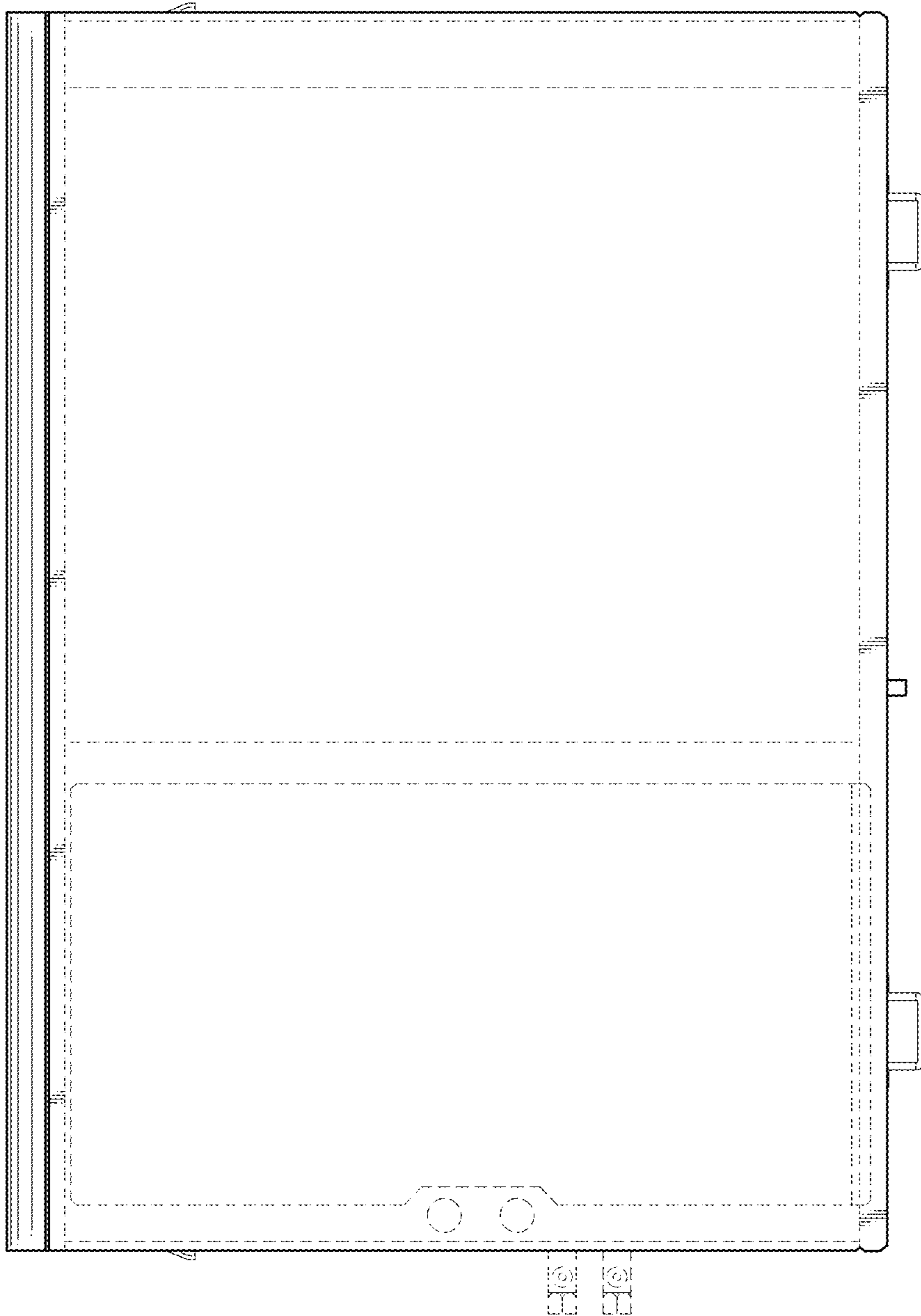


FIG. 3

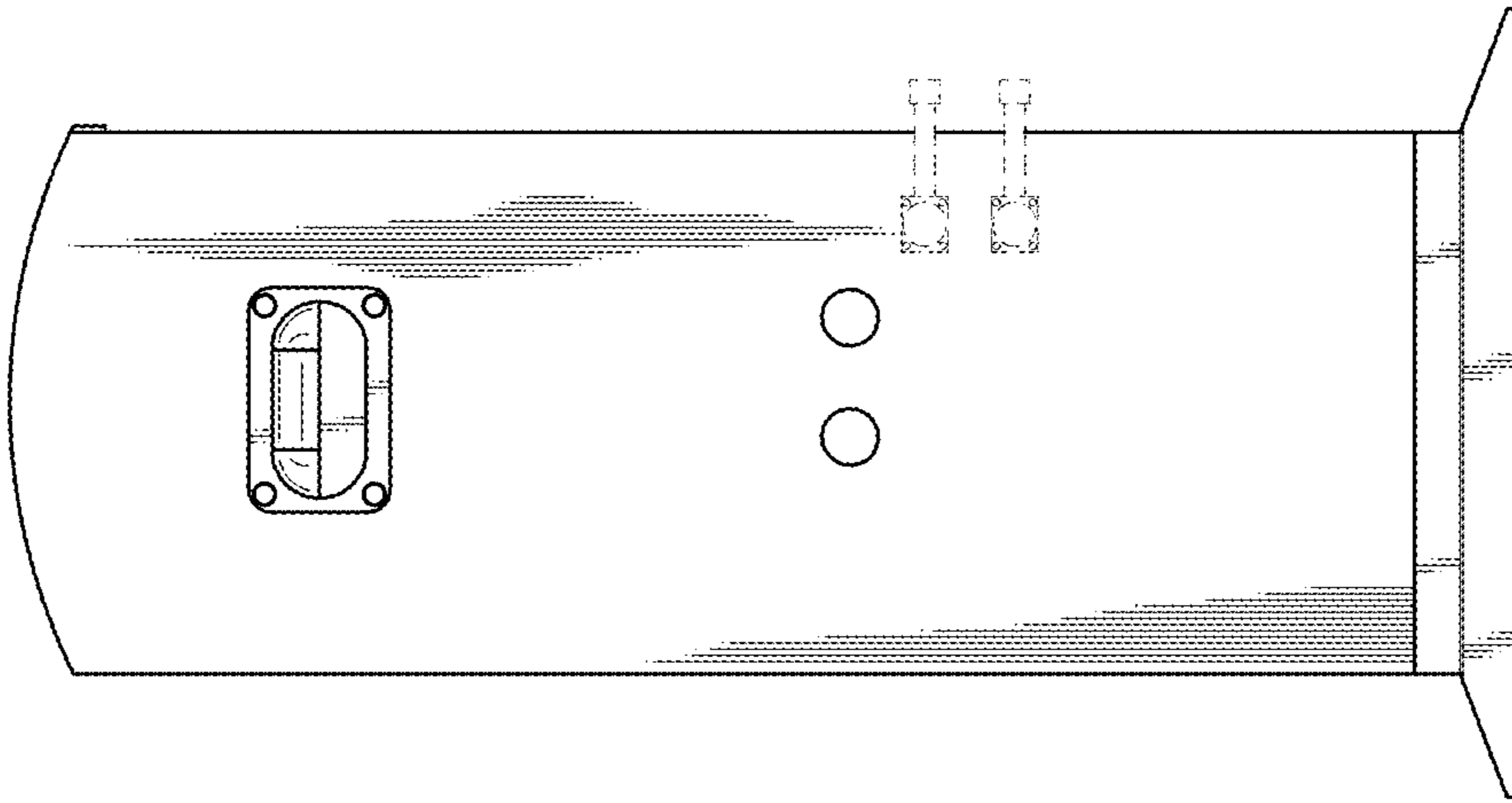


FIG.5

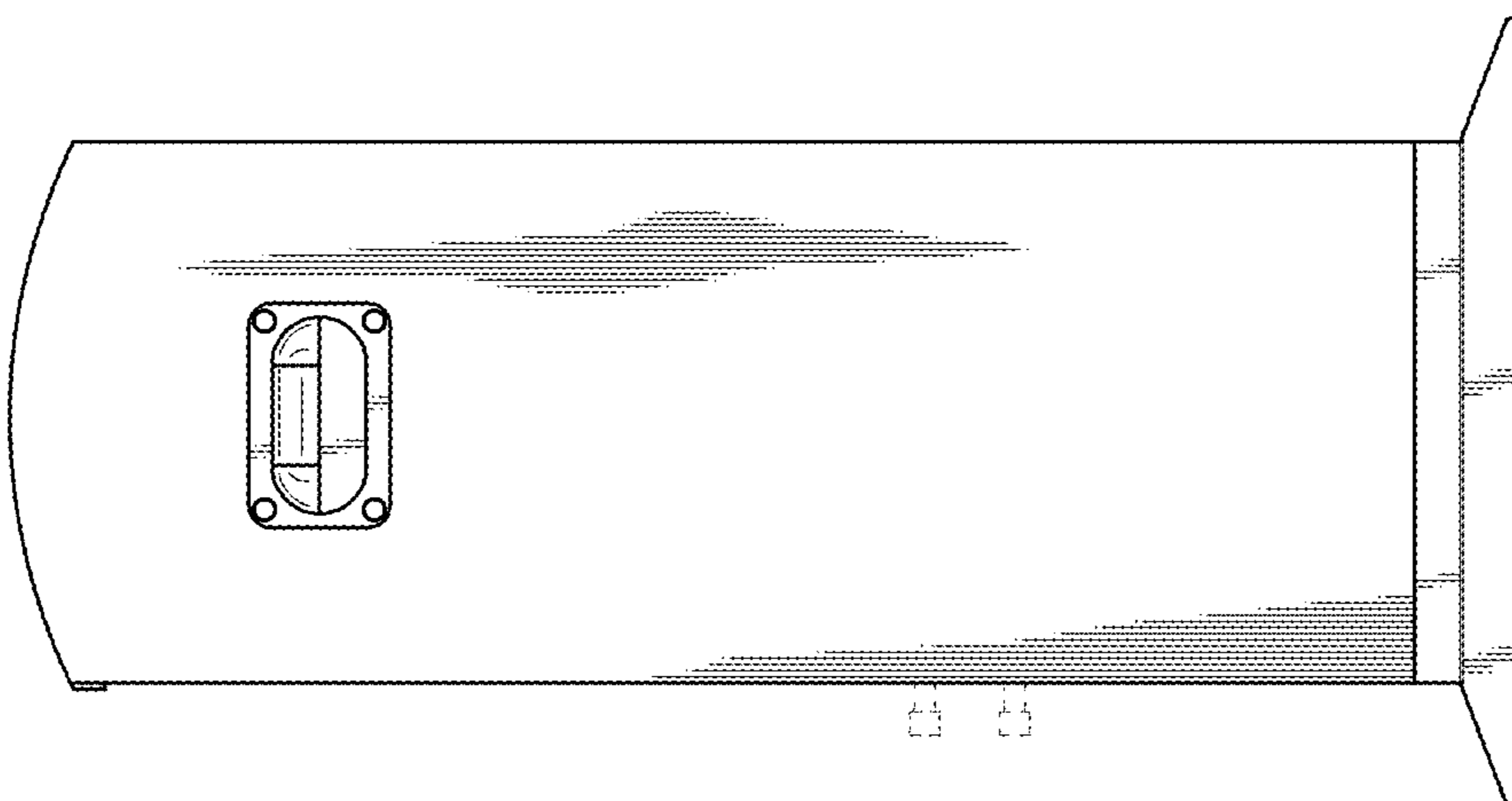


FIG.4

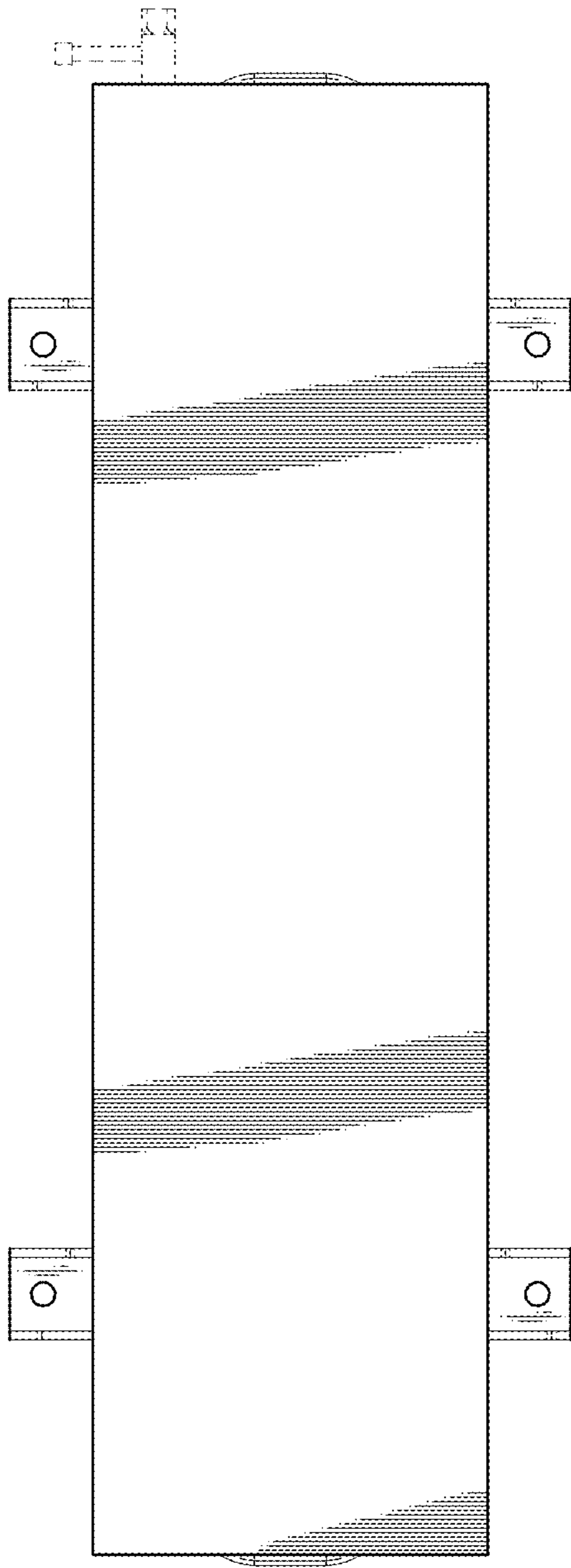


FIG. 6

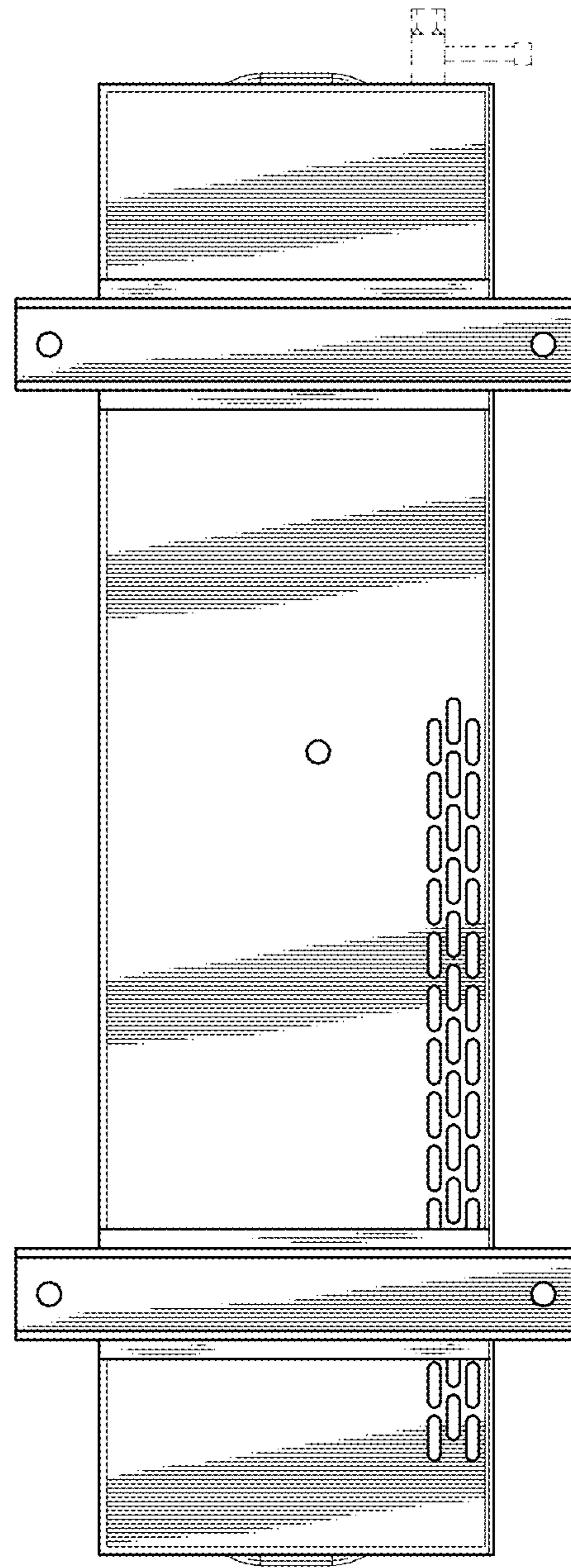


FIG. 7