



US00D791294S

(12) **United States Design Patent**
Grisham et al.

(10) **Patent No.:** **US D791,294 S**
(45) **Date of Patent:** **** Jul. 4, 2017**

- (54) **MODULAR FIRE PIT**
- (71) Applicant: **Aesh Design LLC**, Nashville, TN (US)
- (72) Inventors: **David Grisham**, Nashville, TN (US);
Patrick Weber, Saint Louis, MO (US)
- (73) Assignee: **David Grisham**, Nashville, TN (US)
- (**) Term: **15 Years**
- (21) Appl. No.: **29/562,982**
- (22) Filed: **Apr. 29, 2016**
- (51) **LOC (10) Cl.** **23-03**
- (52) **U.S. Cl.**
USPC **D23/343**
- (58) **Field of Classification Search**
USPC D23/314, 320, 332, 335-337, 343,
D23/347-350, 386, 403-409, 416, 41;
D6/368
CPC A47J 2037/0777; A47J 37/0763
See application file for complete search history.

(56) **References Cited**

U.S. PATENT DOCUMENTS

163,202 A	5/1875	Houston	
1,940,117 A	12/1933	Carpos	
3,698,124 A *	10/1972	Reitzel	A63H 33/06
			428/542.2
3,727,979 A *	4/1973	Schier	A47B 3/12
			126/9 A
4,532,910 A *	8/1985	Longley, Jr.	F24B 1/205
			126/29
4,593,950 A	6/1986	Infanti	
5,335,753 A	8/1994	Campbell	
5,992,938 A	11/1999	Jones	
6,615,746 B2	9/2003	Bart	
D546,114 S *	7/2007	Reiner	F24C 1/16
			D7/332

7,300,110 B1 11/2007 Debien
 2012/0204852 A1* 8/2012 Boucher F24C 1/16
 126/30
 2016/0309662 A1 10/2016 Green

OTHER PUBLICATIONS

Drifta.com.au, Large Pack and Carry Fire Pit, Nov. 2015, [online], Retrieved Mar. 15, 2017 from <URL:http://www.drifta.com.au/large-pack-and-carry-folding-fire-pit/>.*

(Continued)

Primary Examiner — Sheryl Lane

Assistant Examiner — Calvin E Vansant

(74) *Attorney, Agent, or Firm* — Waller Lansden Dortch & Davis LLP; Matthew C. Cox

(57) **CLAIM**

What is claimed is the ornamental design for a “modular fire pit”, as shown and described.

DESCRIPTION

FIG. 1 is a front perspective view showing the “modular fire pit” of Applicant’s invention.

FIG. 2 is a front elevation view of the “modular fire pit” of Applicant’s invention.

FIG. 3 is a back elevation view of the “modular fire pit” of Applicant’s invention.

FIG. 4 is a right side elevation view of the “modular fire pit” of Applicant’s invention.

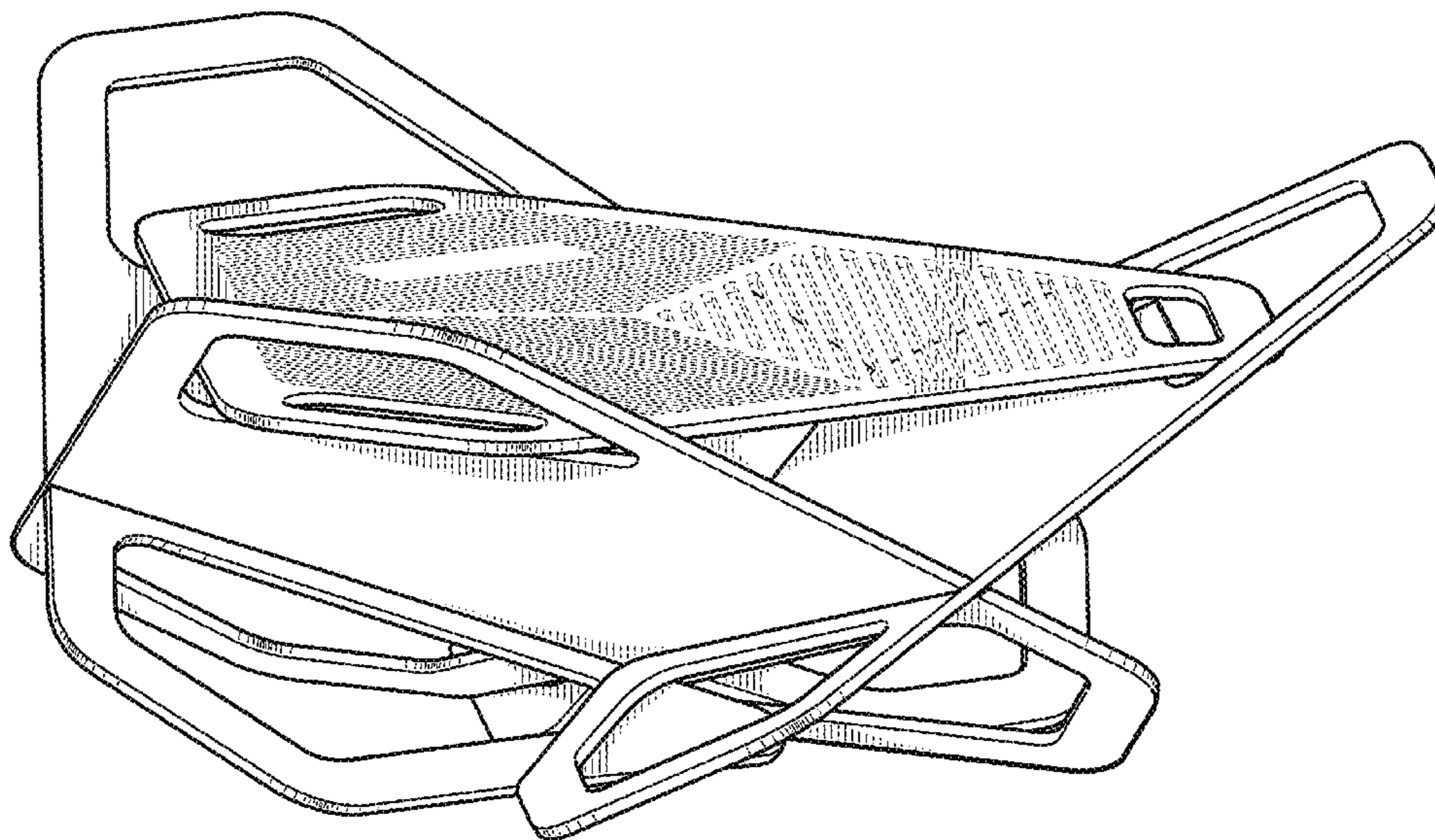
FIG. 5 is a left side elevation view of the “modular fire pit” of Applicant’s invention.

FIG. 6 is a top view of the “modular fire pit” of Applicant’s invention; and,

FIG. 7 is a bottom view of the “modular fire pit” of Applicant’s invention.

In the Figures, the the broken lines depict unclaimed portions of the modular fire pit and form no part of the claim.

1 Claim, 5 Drawing Sheets



(56)

References Cited

OTHER PUBLICATIONS

TheFirePitFactory.com, Abstract Interlock, undated, [online], Retrieved Mar. 15, 2017 from <URL:<http://www.thefirepitfactory.com/firepits?lightbox=imagesnl>>.*

Lethal Fabrication, Modern Steel Fire Pit, undated, [online], Retrieved Mar. 15, 2017 from <URL:<http://www.etsy.com/listing/128456970/modern-steel-fire-pit-industrial-metal>>.*

Breathe Bell Tents, Fire Away Fire Pit 'Kindling', BellTent.com.au, [online], Retrieved Mar. 15, 2017 from <URL:<http://www.belltent.com.au/product/fire-away-fire-pit-kindling/>>.*

* cited by examiner

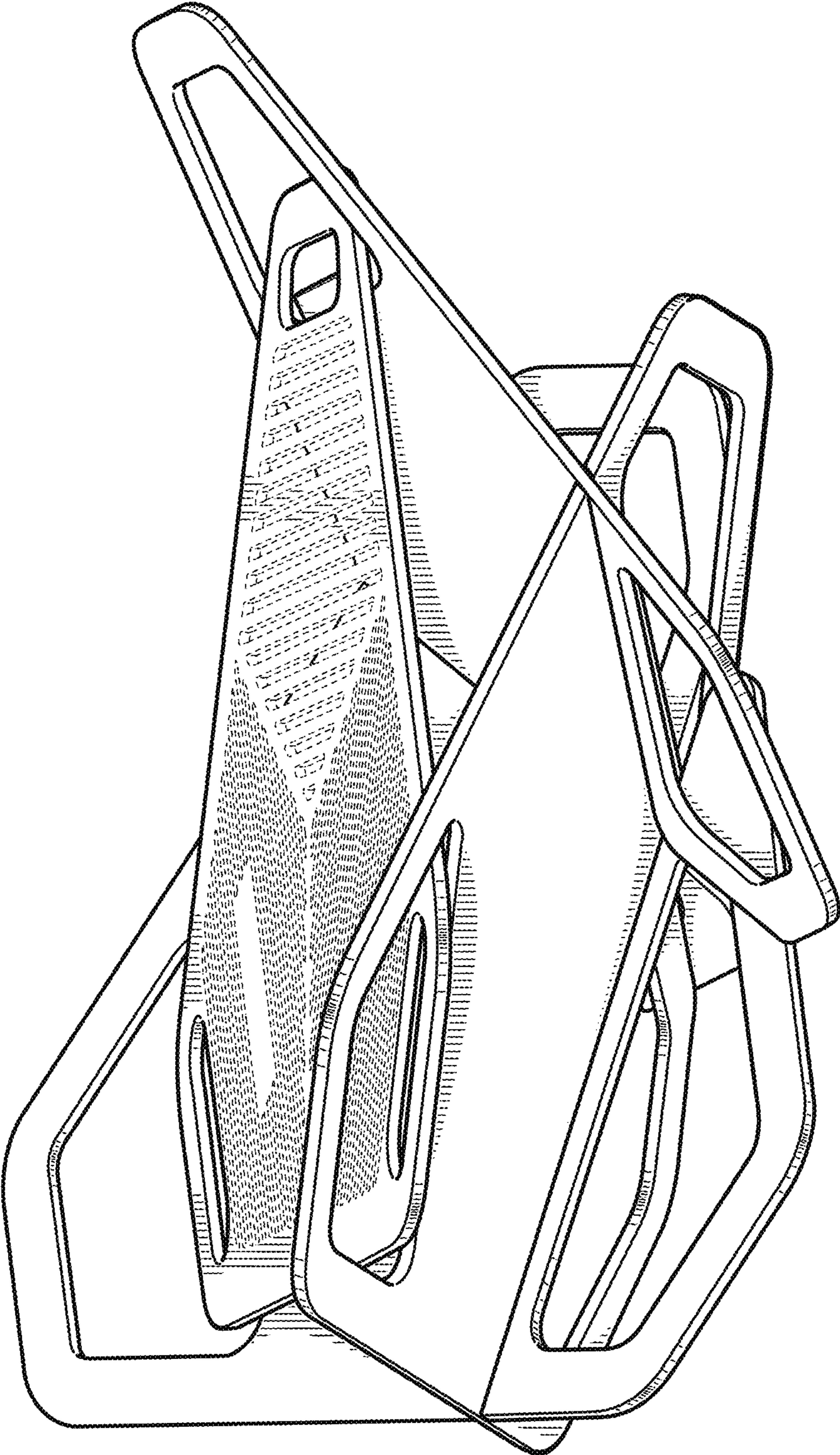


FIG. 1

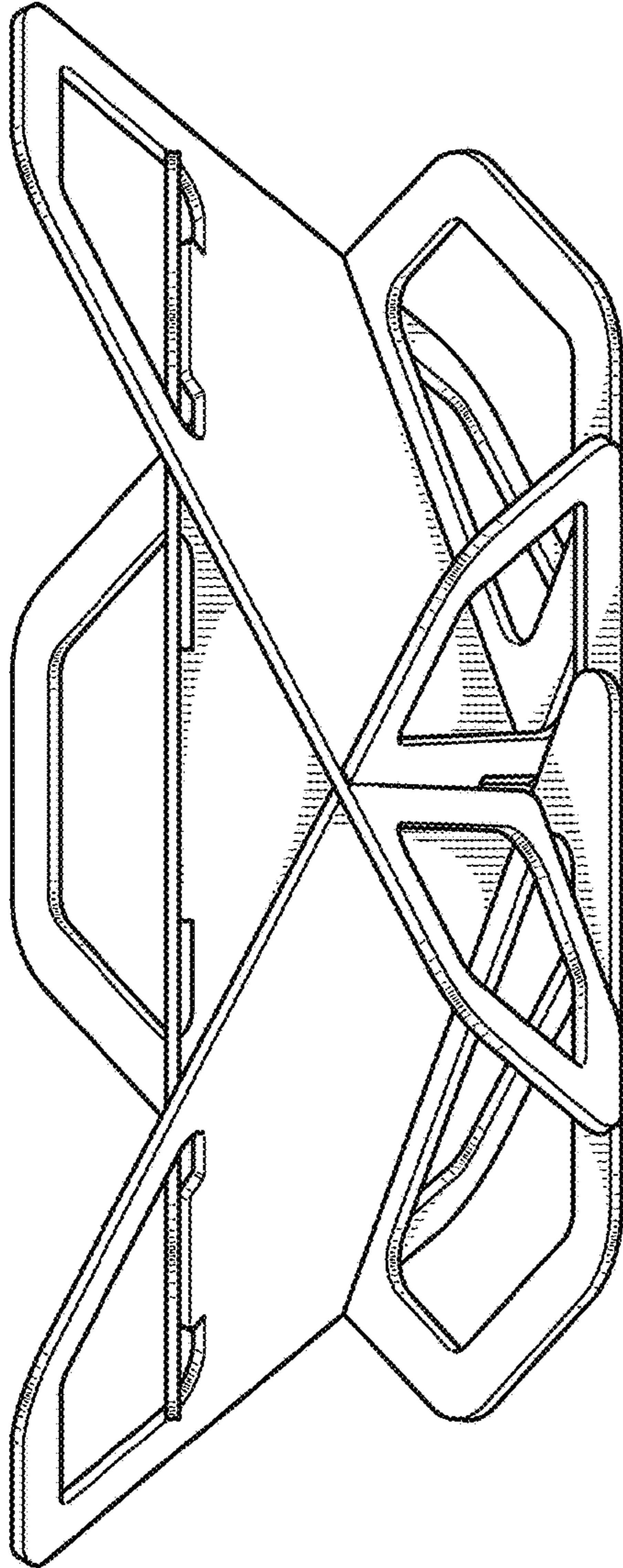


FIG. 2

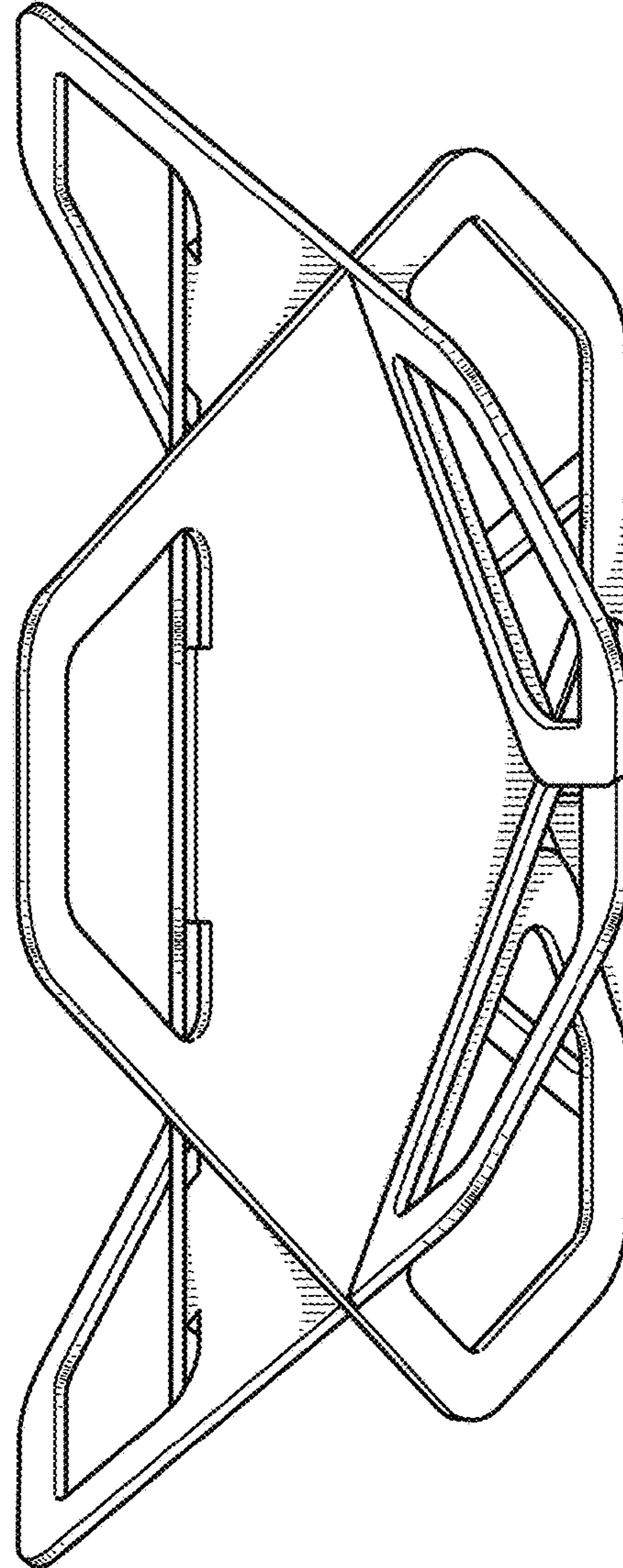


FIG. 3

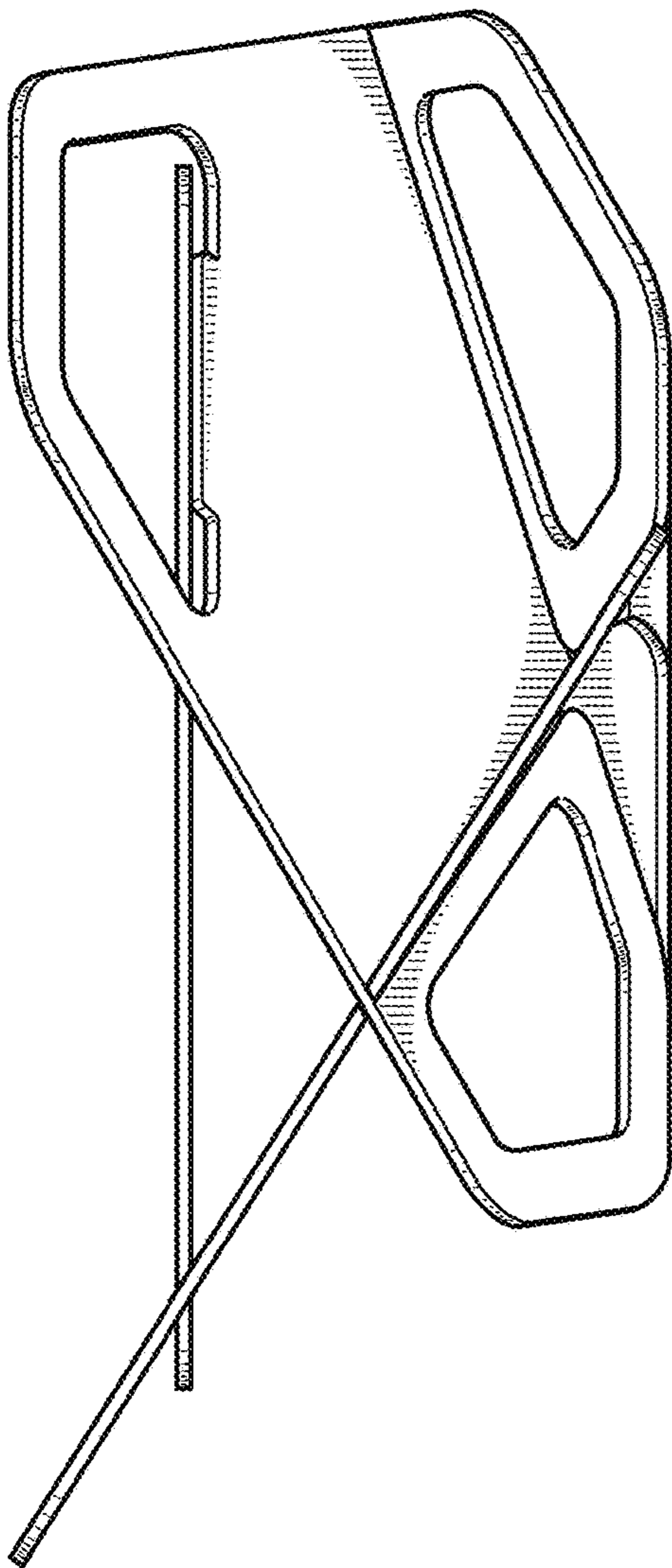


FIG. 4

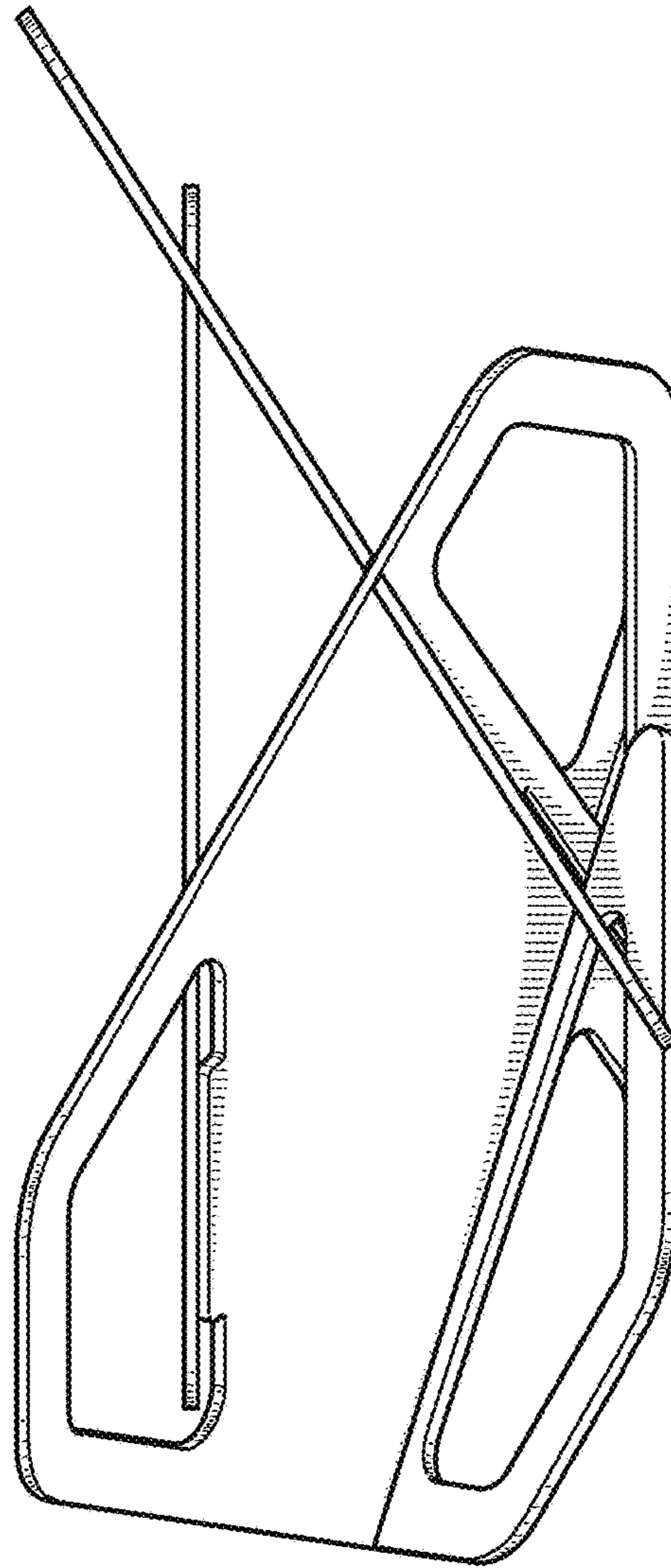


FIG. 5

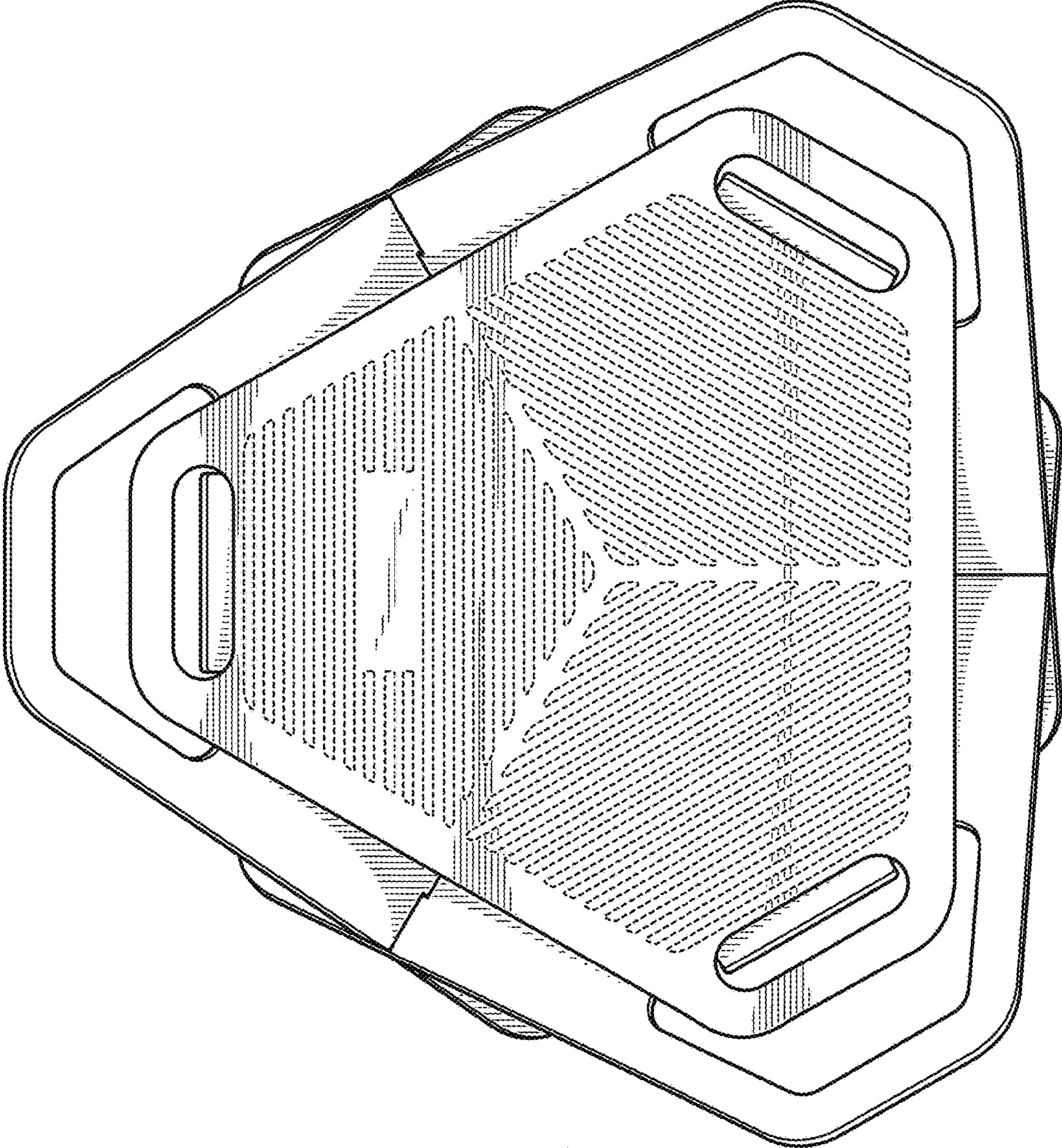


FIG. 6

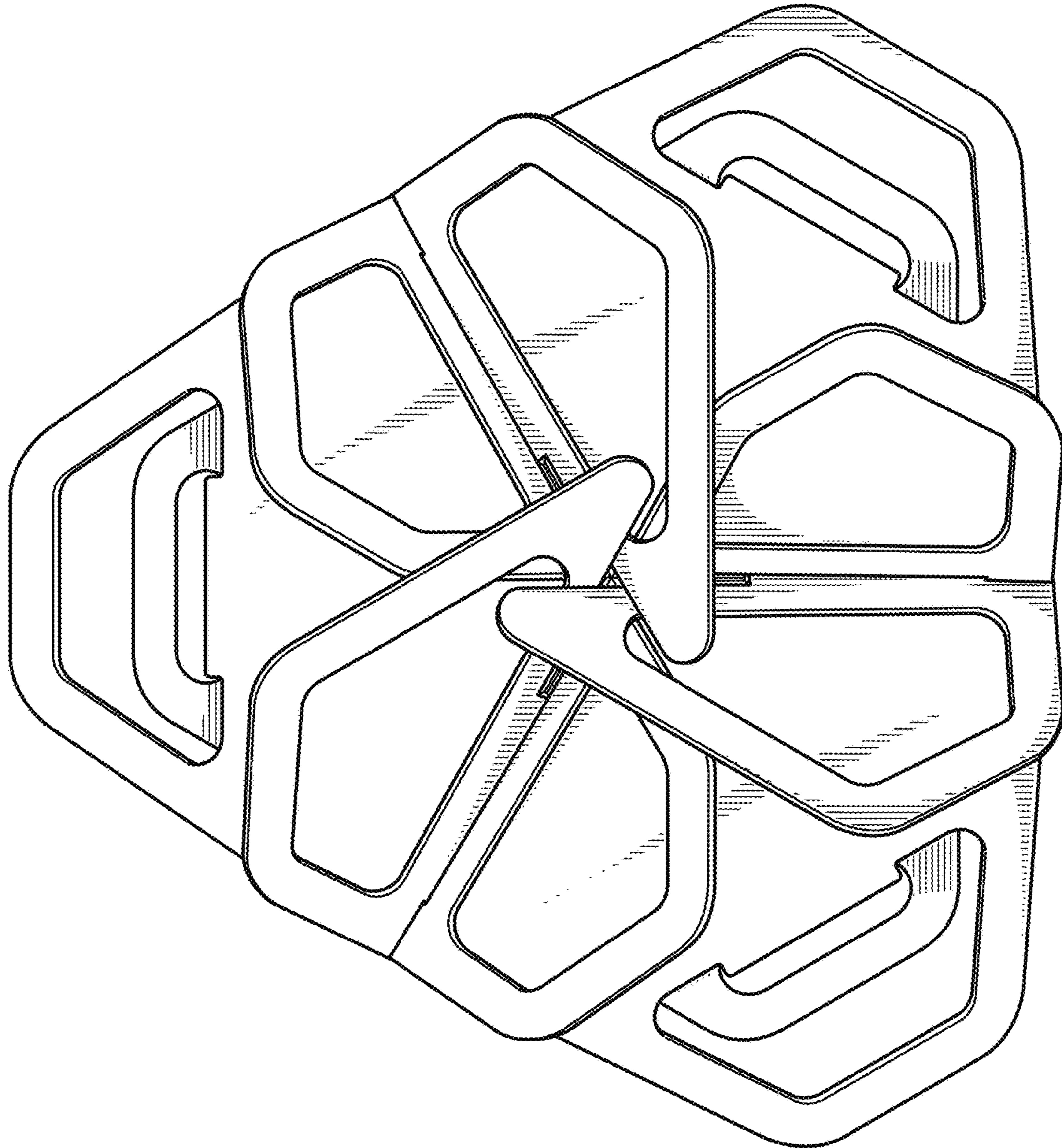


FIG. 7