



US00D791293S

(12) **United States Design Patent**
Kim et al.

(10) **Patent No.:** **US D791,293 S**
(45) **Date of Patent:** **** Jul. 4, 2017**

- (54) **AIR CONDITIONER**
- (71) Applicant: **Samsung Electronics Co., Ltd.**,
Suwon-si, Gyeonggi-do (KR)
- (72) Inventors: **Hyunsoo Kim**, Seongnam-si (KR);
Youngmin Park, Seoul (KR)
- (73) Assignee: **SAMSUNG ELECTRONICS CO., LTD.**, Gyeonggi-Do (KR)

D468,414 S *	1/2003	Fok	D23/328
D481,783 S *	11/2003	Fok	D23/328
D483,457 S *	12/2003	Wang	D23/328
D491,656 S *	6/2004	Gao	D23/370
D516,687 S *	3/2006	Shapiro	D23/332
7,158,716 B2 *	1/2007	Shapiro	F04D 17/04 392/365
D580,541 S *	11/2008	Bucher	D23/378
D594,110 S *	6/2009	Bucher	D23/382
D641,845 S *	7/2011	Breit	D23/333

- (**) Term: **15 Years**
- (21) Appl. No.: **29/553,073**
- (22) Filed: **Jan. 28, 2016**

FOREIGN PATENT DOCUMENTS

EM	000392147-0001	11/2005
EM	001841552-0002	5/2011
KR	300625171 S	12/2011

- (30) **Foreign Application Priority Data**
Jul. 31, 2015 (KR) 30-2015-0038694
- (51) **LOC (10) Cl.** **23-04**
- (52) **U.S. Cl.**
USPC **D23/333**
- (58) **Field of Classification Search**
USPC D23/333, 335, 341, 342, 351, 353, 354,
D23/355, 356, 359, 364, 365, 370, 385,
D23/386, 388, 393
CPC F24F 1/00; F24F 1/0007; F24F 1/02; F24F
1/08; F24F 1/42; F24F 1/56; F24F 1/60;
F24F 3/044; F24F 3/048; F24F 3/16;
F24F 7/00; F24F 7/04; F24F 12/001;
F24F 12/006
See application file for complete search history.

* cited by examiner

Primary Examiner — George D. Kirschbaum
Assistant Examiner — Natasha Vujcic
(74) *Attorney, Agent, or Firm* — Cantor Colburn LLP

- (56) **References Cited**
U.S. PATENT DOCUMENTS
D322,669 S * 12/1991 Yamamoto D23/378
D423,093 S * 4/2000 Fok D23/370

(57) **CLAIM**
The ornamental design for an air conditioner, as shown and described.

DESCRIPTION

FIG. 1 is a front perspective view of an air conditioner, showing our new design;
FIG. 2 is a front view thereof;
FIG. 3 is a rear view thereof;
FIG. 4 is a left-side view thereof;
FIG. 5 is a right-side view thereof;
FIG. 6 is a top view thereof;
FIG. 7 is a bottom view thereof; and,
FIG. 8 is a rear perspective view thereof.
The broken lines illustrating portions of an air conditioner form no part of the claimed design.

1 Claim, 8 Drawing Sheets

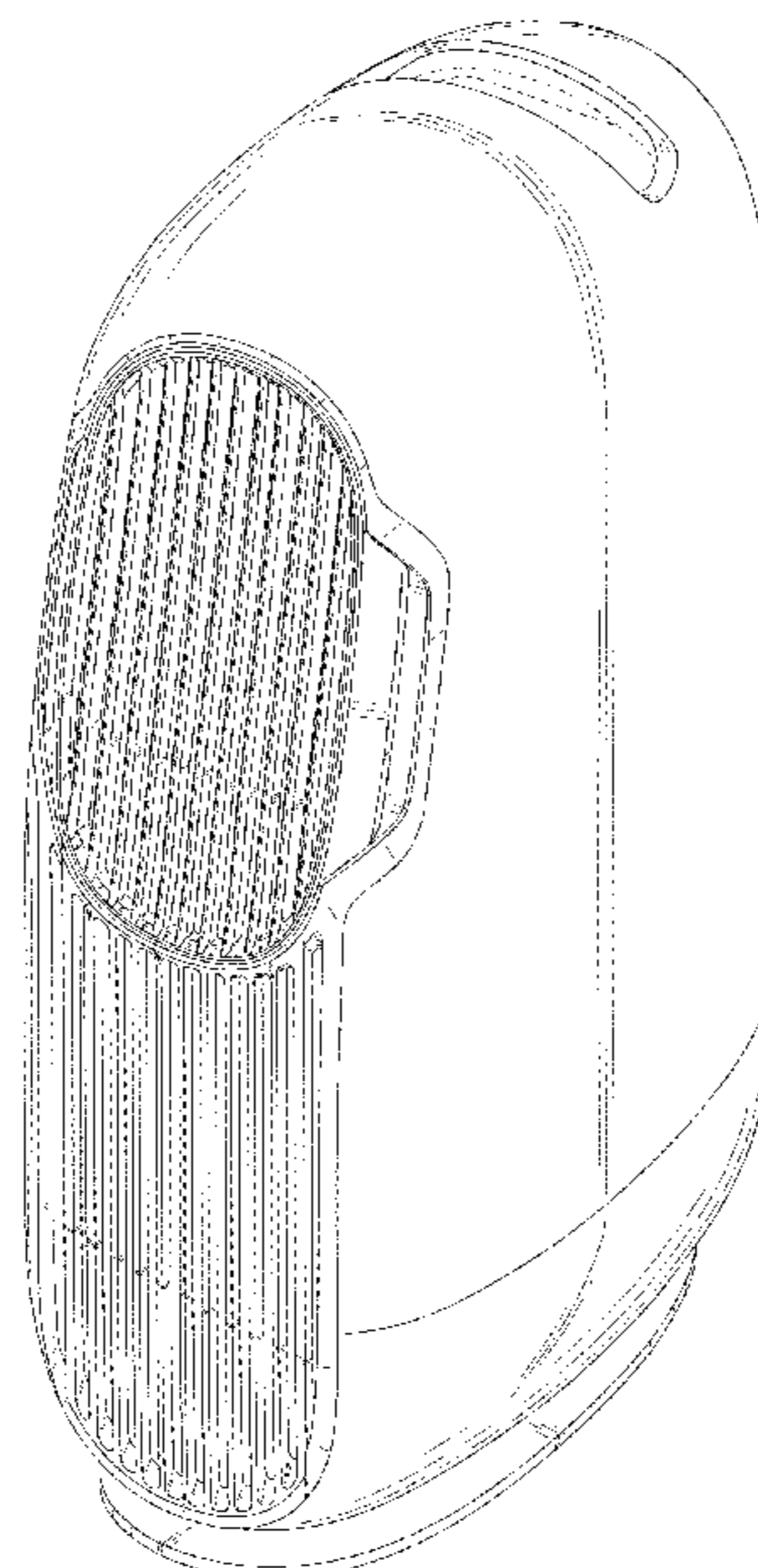


FIG. 1

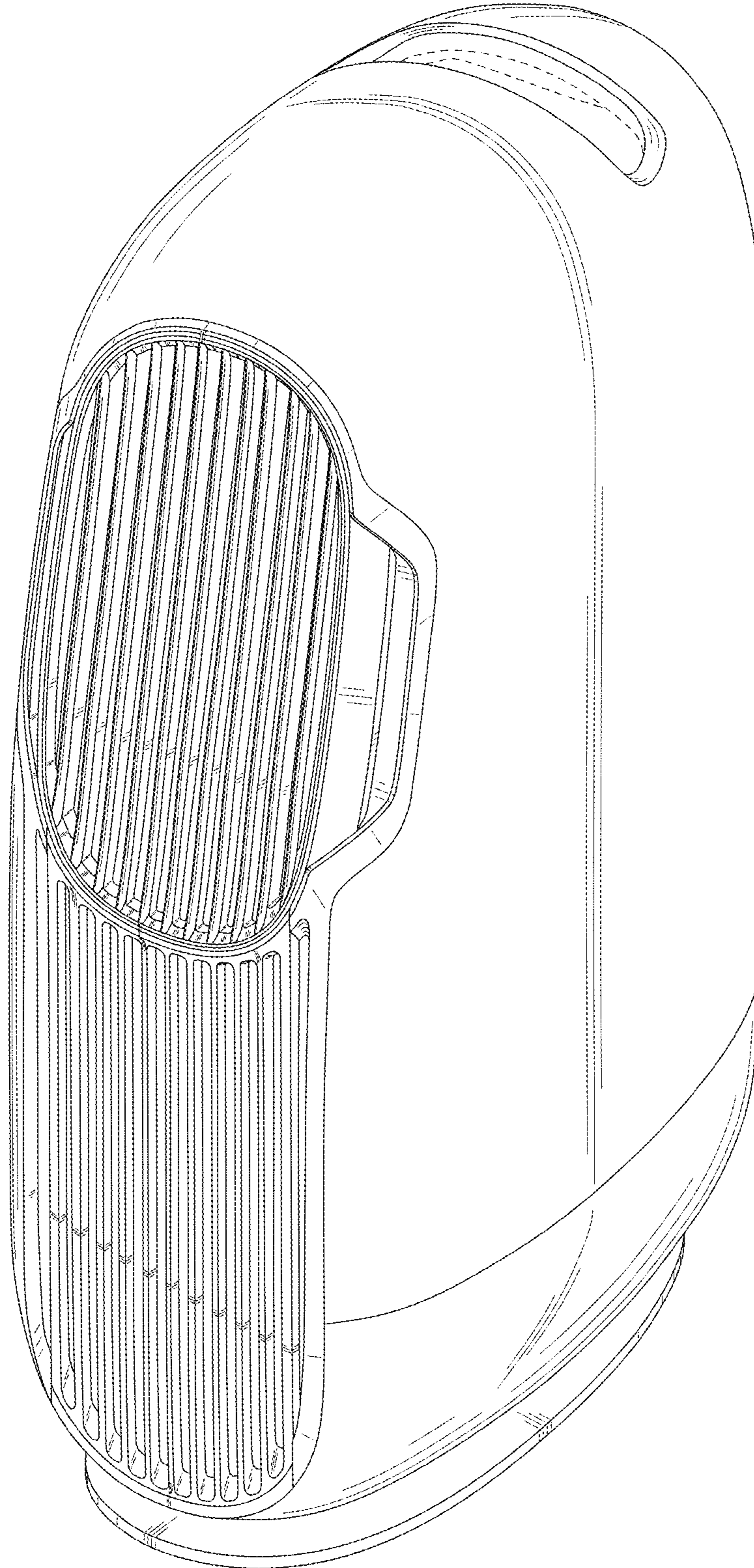


FIG. 2

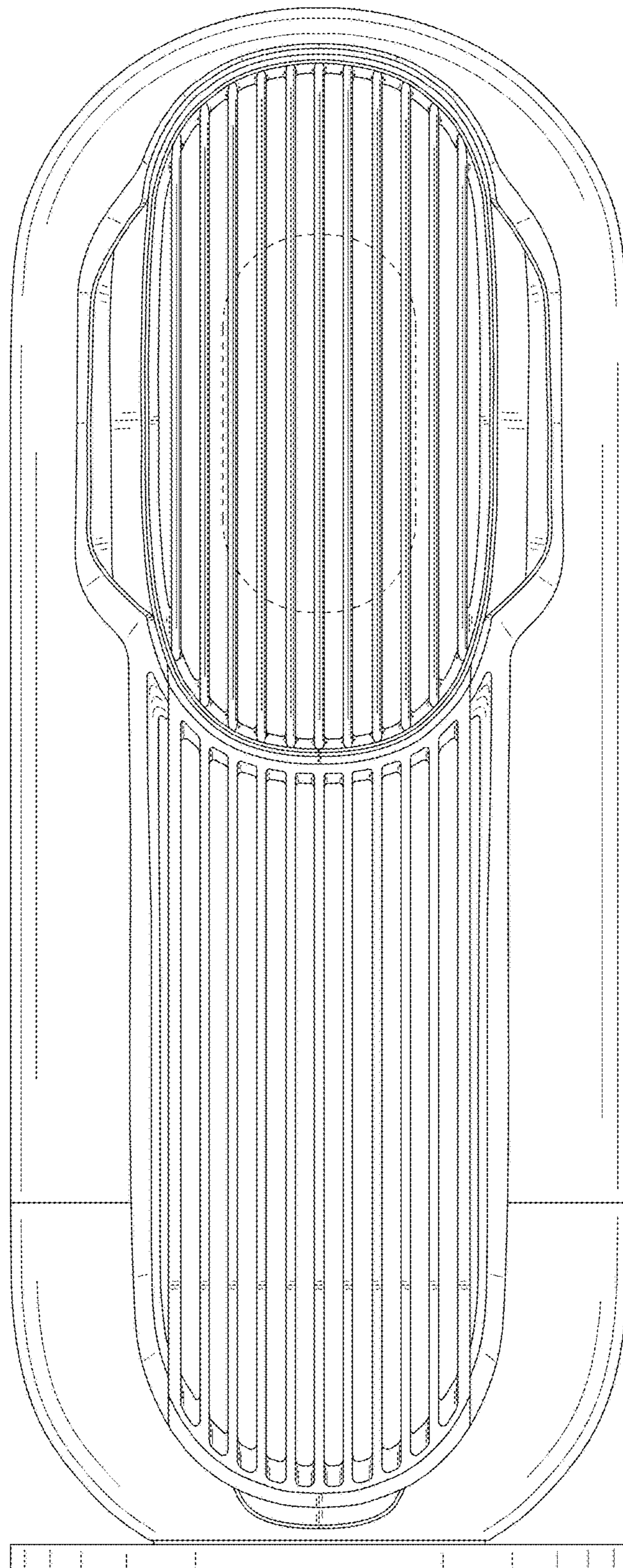


FIG. 3

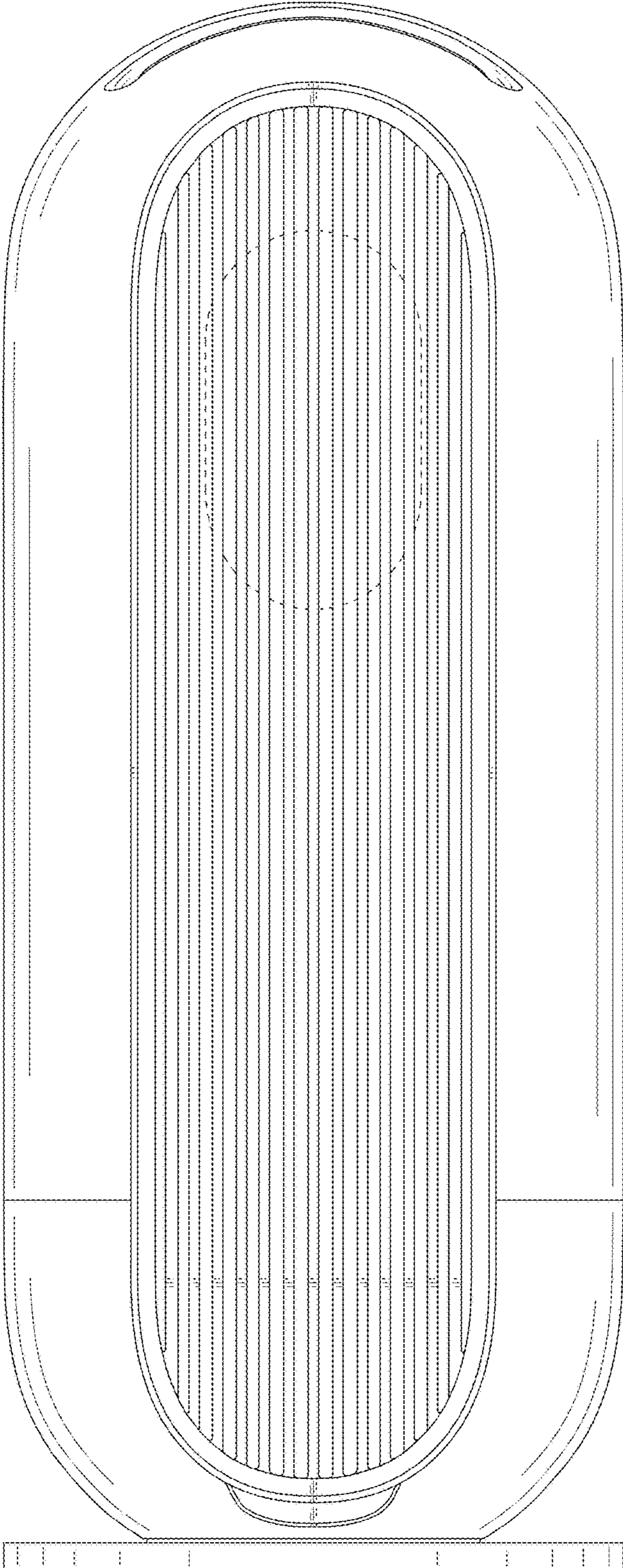


FIG. 4

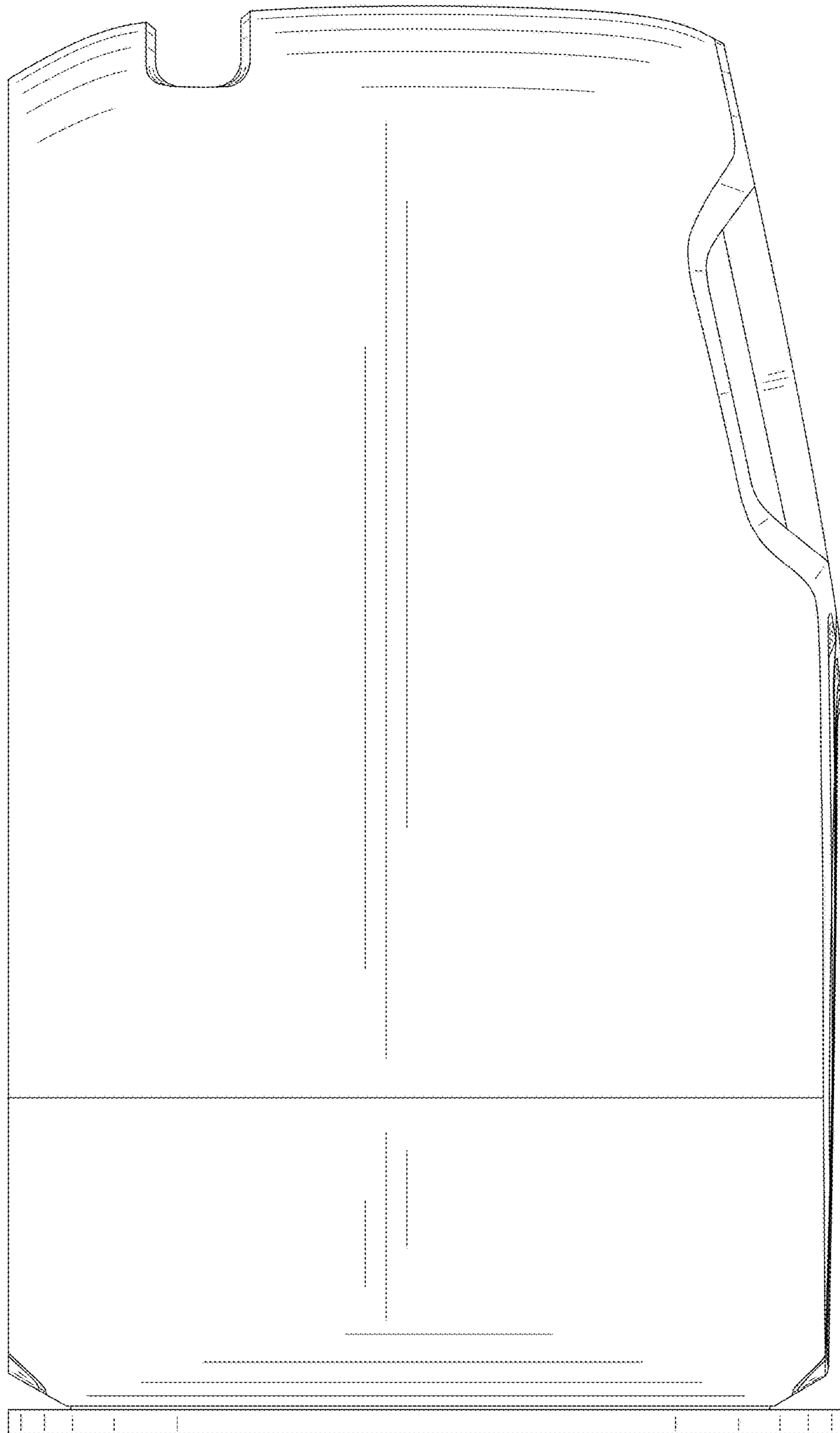


FIG. 5

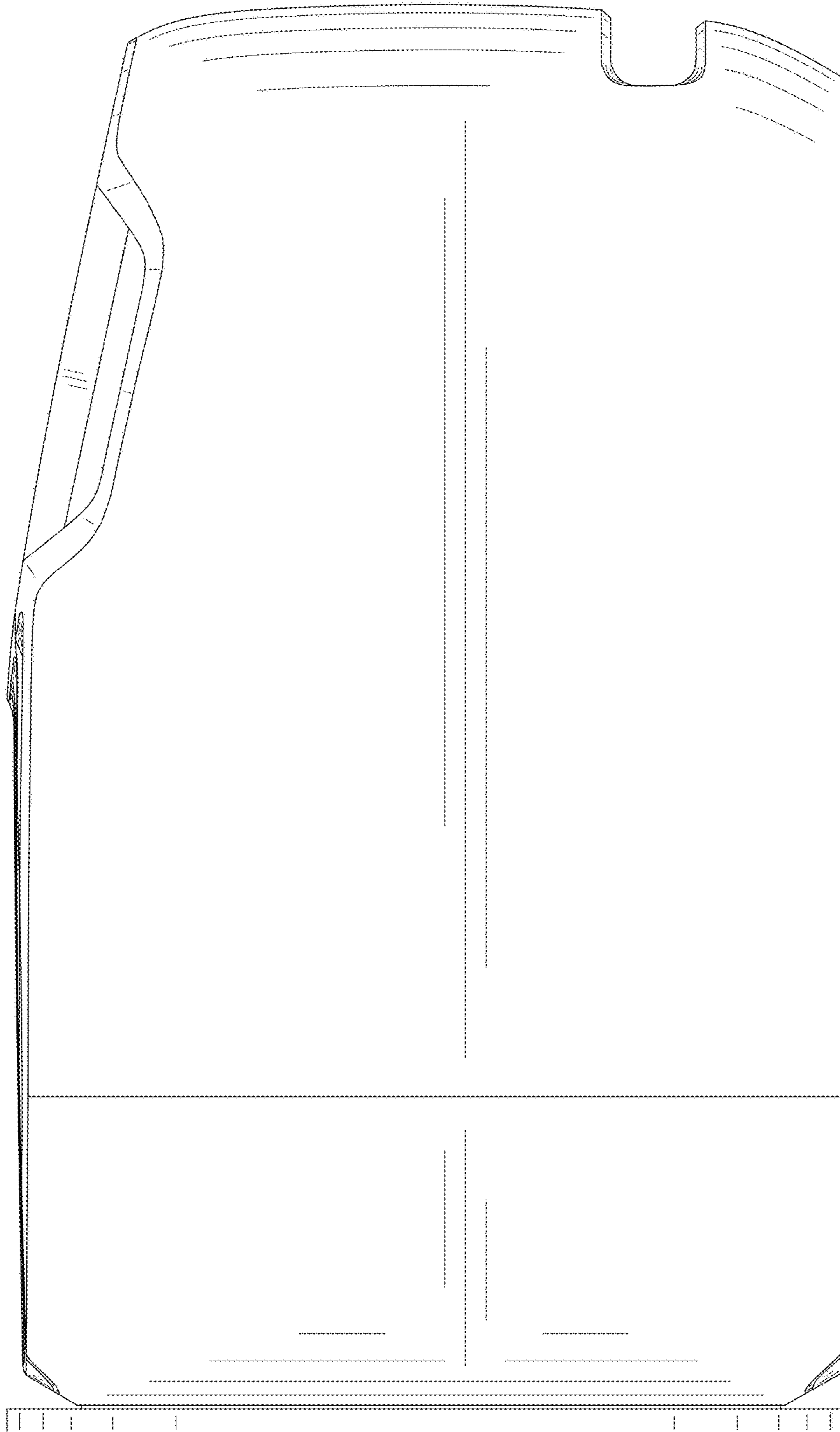


FIG. 6

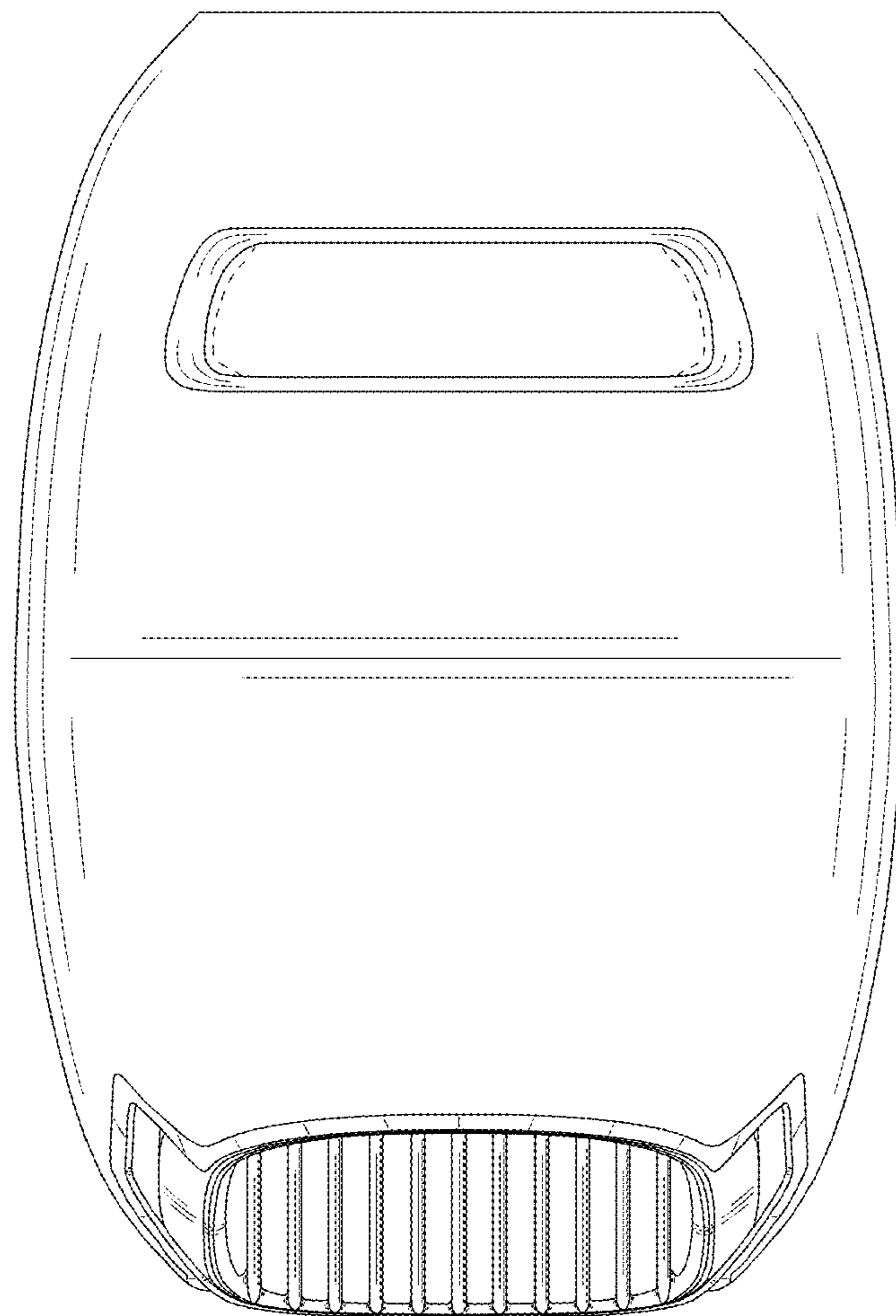


FIG. 7

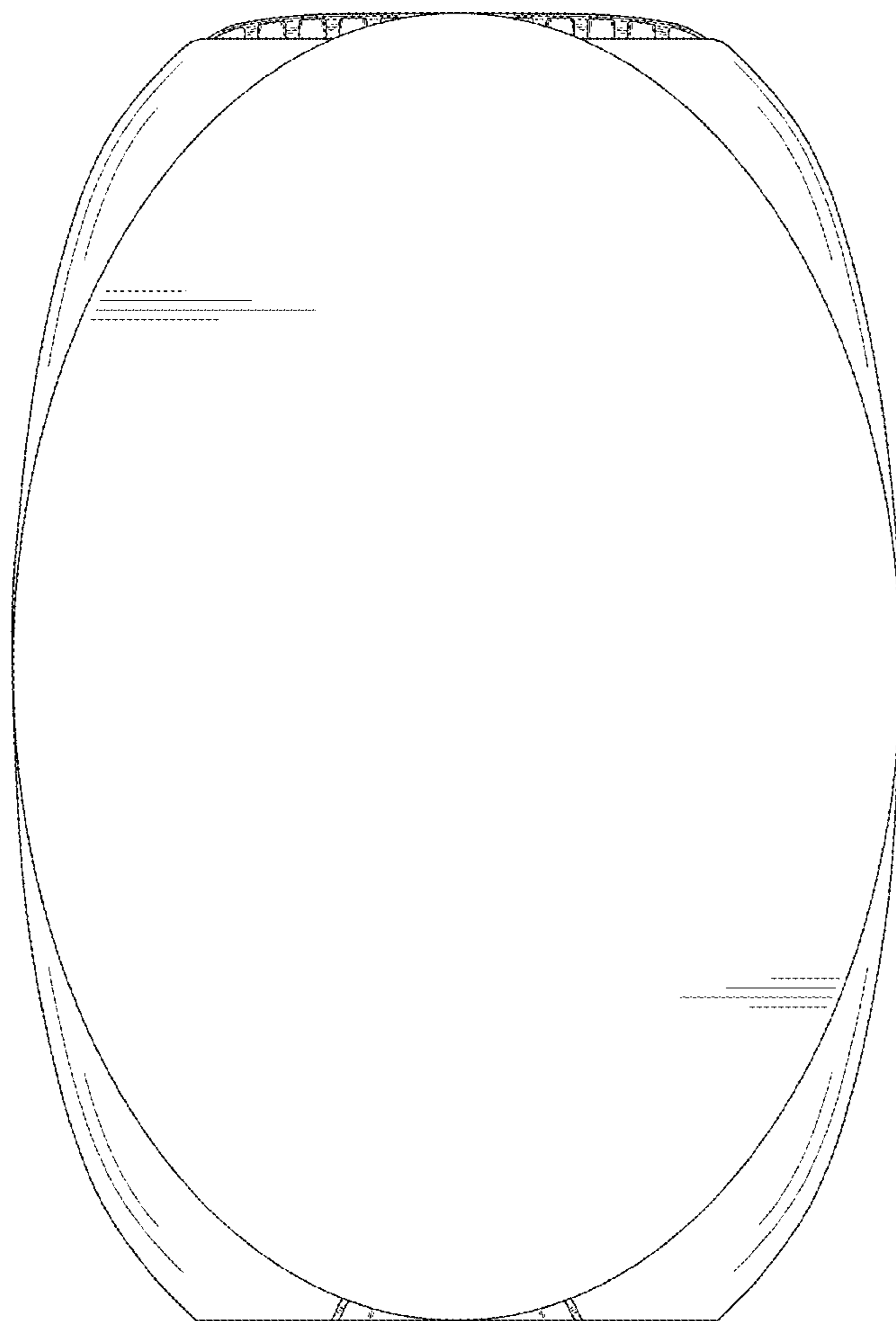


FIG. 8

