



US00D791291S

(12) **United States Design Patent**
Kim et al.

(10) **Patent No.:** **US D791,291 S**
(45) **Date of Patent:** **** Jul. 4, 2017**

(54) **AIR CONDITIONER**

(71) Applicant: **Samsung Electronics Co., Ltd.**,
Suwon-si, Gyeonggi-do (KR)

(72) Inventors: **Hyunsoo Kim**, Seongnam-si (KR);
Youngmin Park, Seoul (KR)

(73) Assignee: **SAMSUNG ELECTRONICS CO., LTD.**, Gyeonggi-Do (KR)

(**) Term: **15 Years**

(21) Appl. No.: **29/553,060**

(22) Filed: **Jan. 28, 2016**

(30) **Foreign Application Priority Data**

Jul. 31, 2015 (KR) 30-2015-0038693

(51) **LOC (10) Cl.** **23-04**

(52) **U.S. Cl.**
USPC **D23/333**

(58) **Field of Classification Search**
USPC D23/333, 335, 341, 342, 351, 353, 354,
D23/355, 356, 359, 364, 365, 370, 385,
D23/386, 388, 393

CPC F24F 1/00; F24F 1/0007; F24F 1/02; F24F
1/08; F24F 1/42; F24F 1/56; F24F 1/60;
F24F 3/044; F24F 3/048; F24F 3/16;
F24F 7/00; F24F 7/04; F24F 12/001;
F24F 12/006

See application file for complete search history.

(56) **References Cited**

U.S. PATENT DOCUMENTS

D322,669 S * 12/1991 Yamamoto D23/378
D423,093 S * 4/2000 Fok D23/370

D468,414 S * 1/2003 Fok D23/336
D481,783 S * 11/2003 Fok D23/335
D483,457 S * 12/2003 Wang D23/336
D491,656 S * 6/2004 Gao D23/370
D516,687 S * 3/2006 Shapiro D23/332
7,158,716 B2* 1/2007 Shapiro F04D 17/04
392/365
D580,541 S * 11/2008 Bucher D23/378
D594,110 S * 6/2009 Bucher D23/382
D641,845 S * 7/2011 Breit D23/333

FOREIGN PATENT DOCUMENTS

EM 000392147-0001 11/2005
EM 001841552-0002 5/2011
KR 300625171 S 12/2011

* cited by examiner

Primary Examiner — George D. Kirschbaum

Assistant Examiner — Natasha Vujcic

(74) *Attorney, Agent, or Firm* — Cantor Colburn LLP

(57) **CLAIM**

The ornamental design for an air conditioner, as shown and described.

DESCRIPTION

FIG. 1 is a perspective view of an air conditioner, showing our new design;

FIG. 2 is a front view thereof;

FIG. 3 is a rear view thereof;

FIG. 4 is a left side view thereof;

FIG. 5 is a right side view thereof;

FIG. 6 is a top view thereof; and,

FIG. 7 is a bottom view thereof.

The broken lines illustrating portions of an air conditioner form no part of the claimed design.

1 Claim, 7 Drawing Sheets

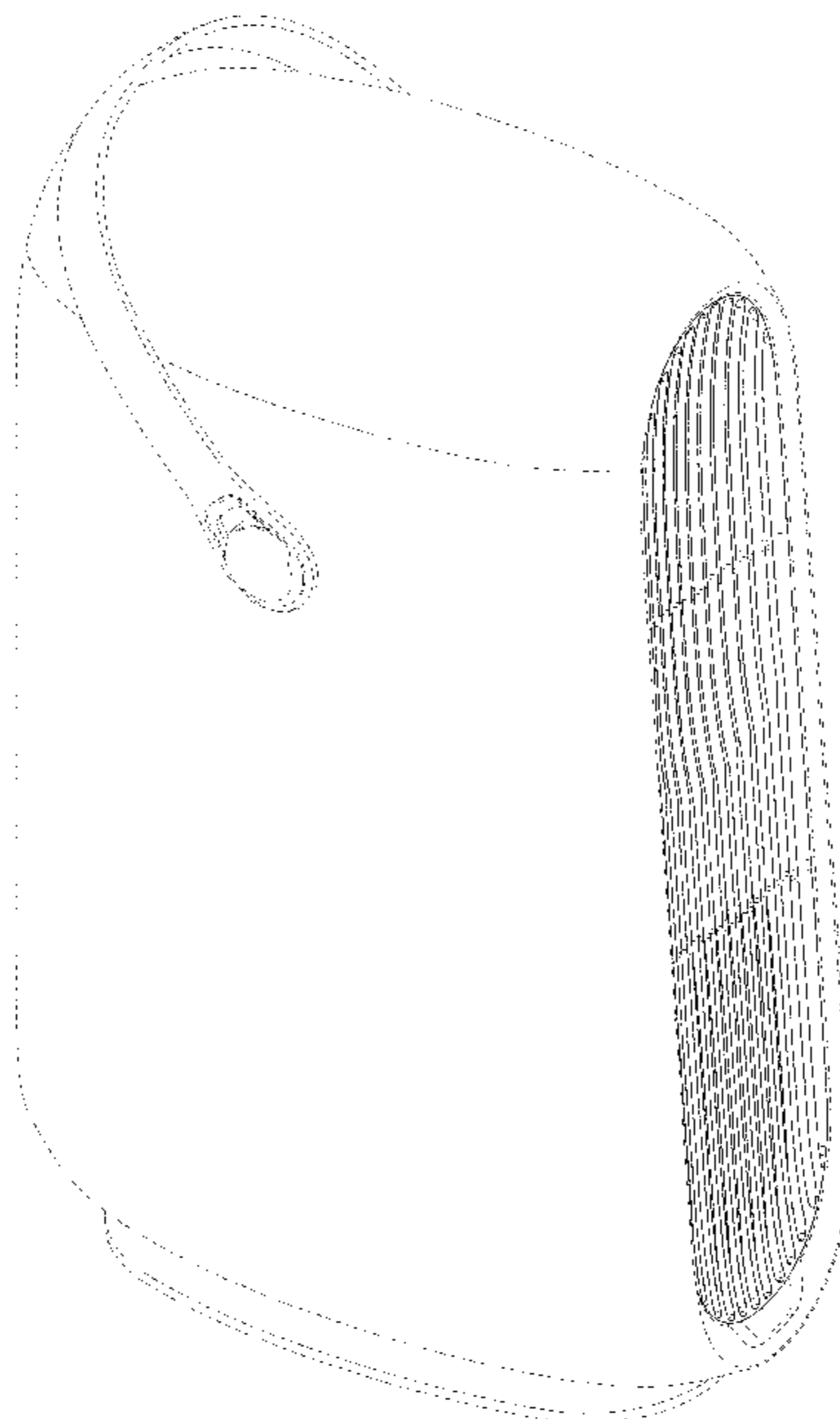


FIG. 1

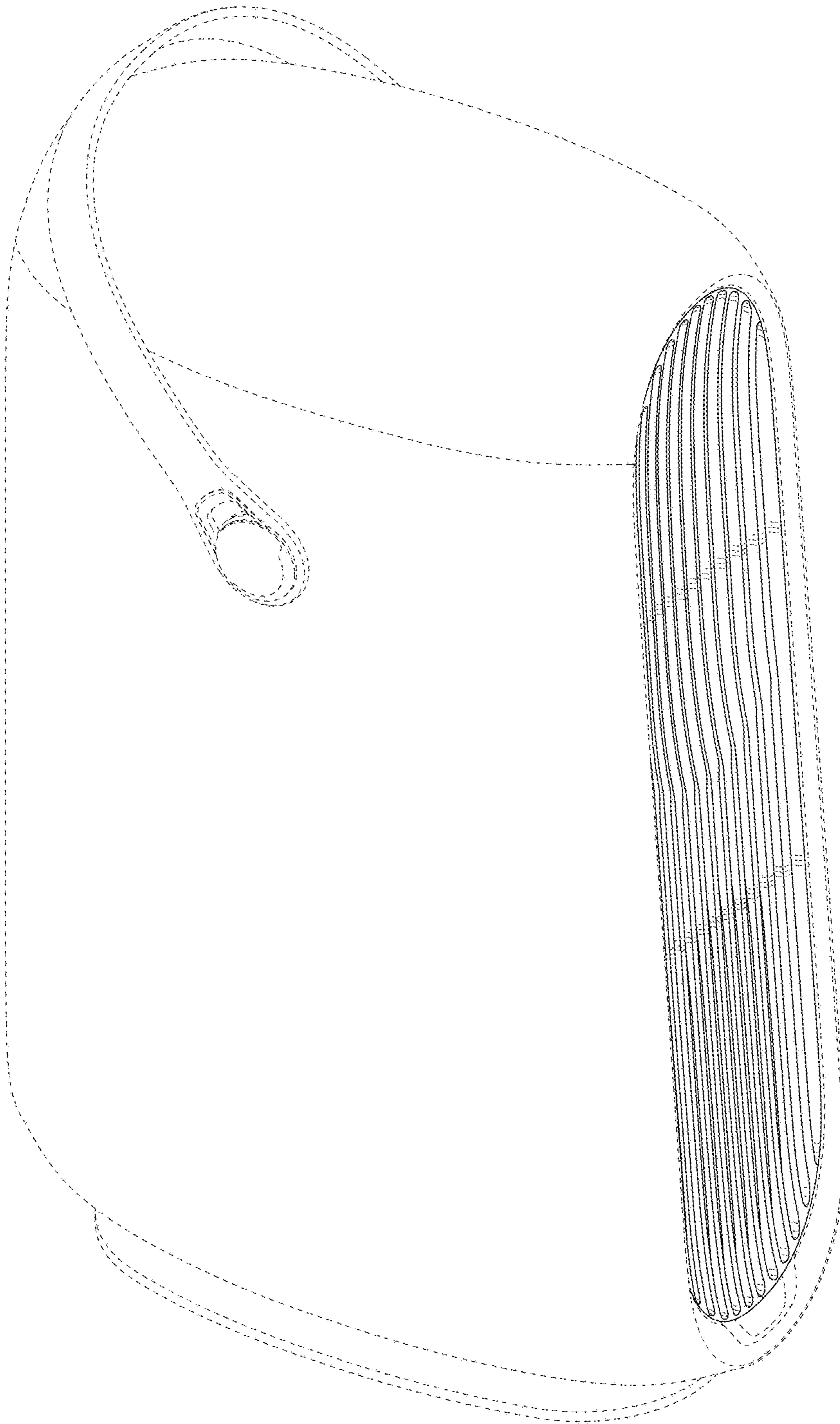


FIG. 2

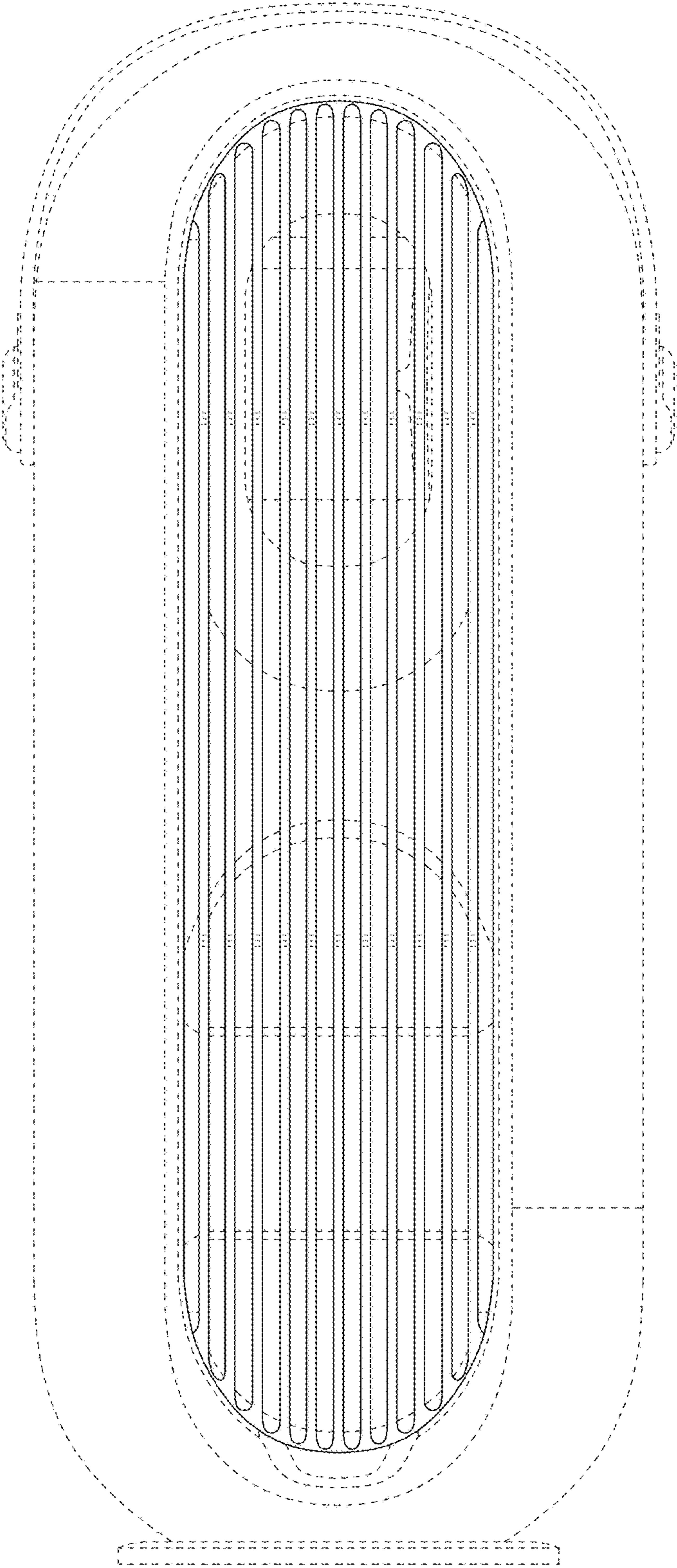


FIG. 3

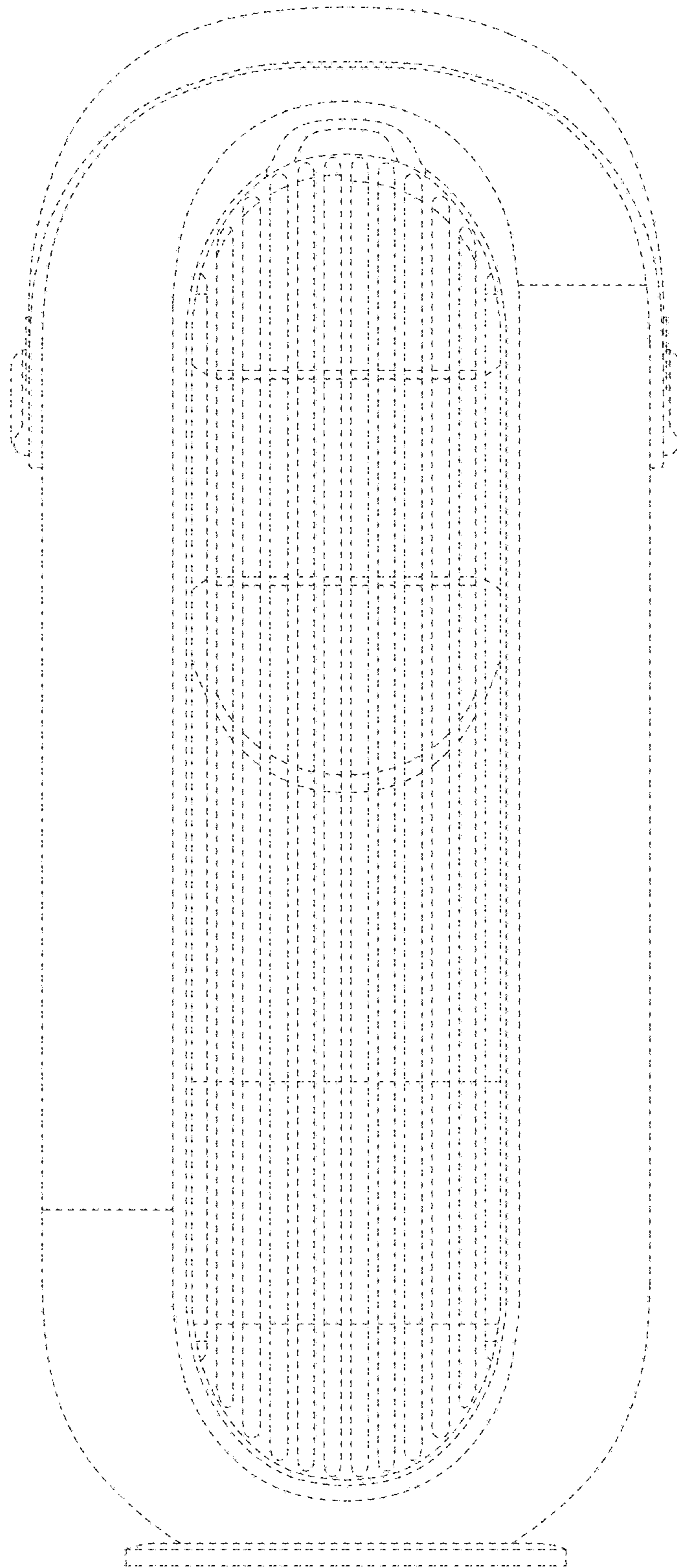


FIG. 4

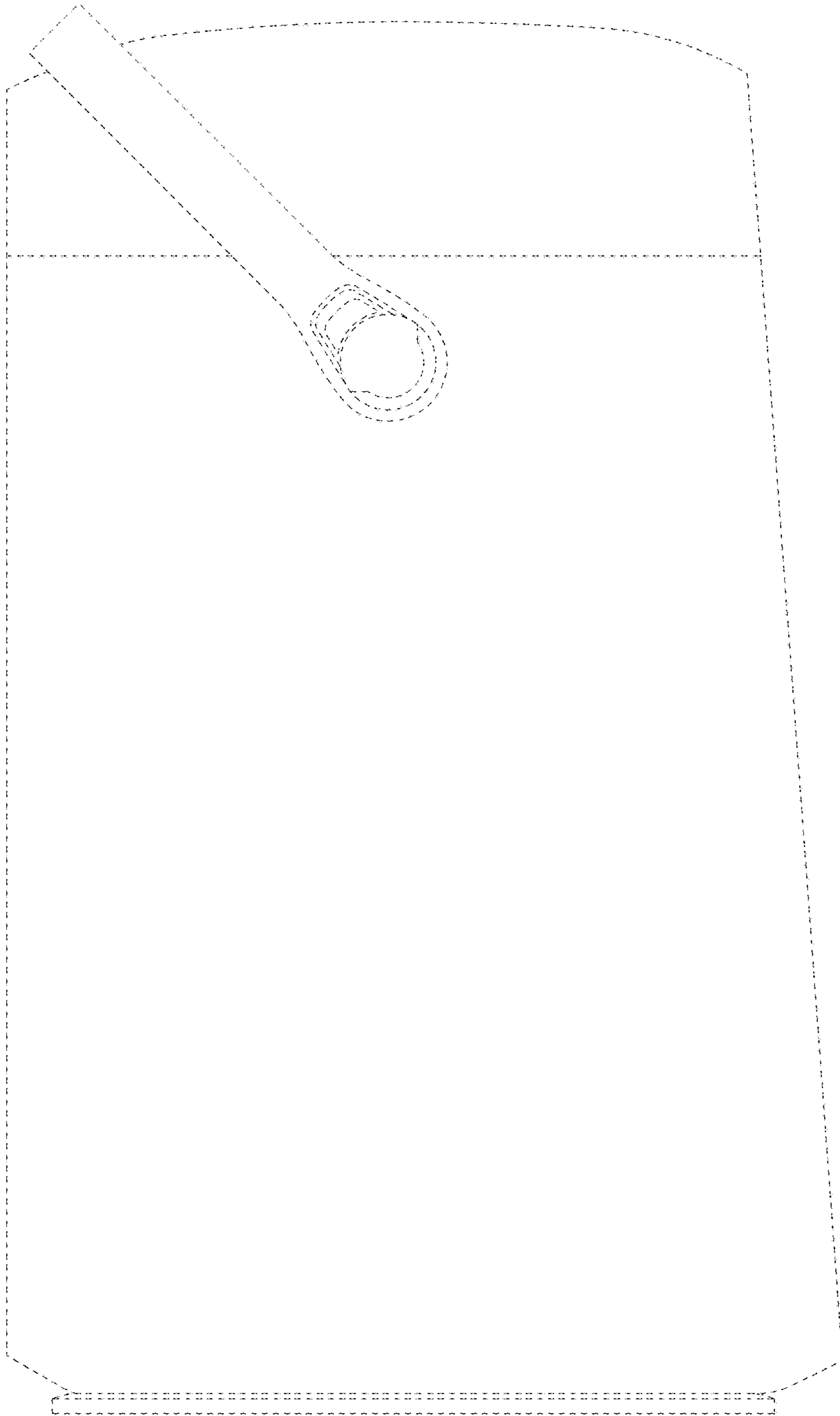


FIG. 5

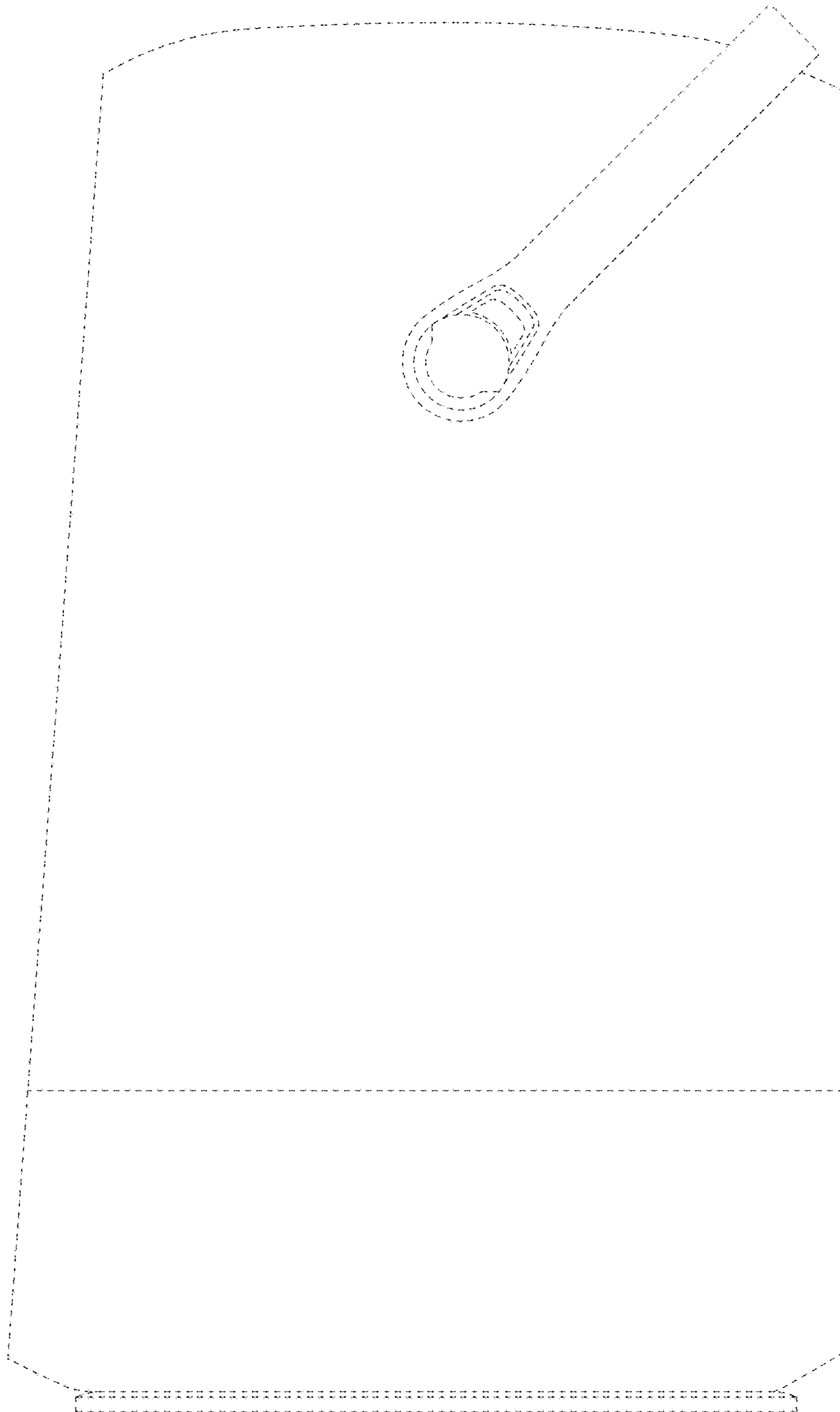


FIG. 6

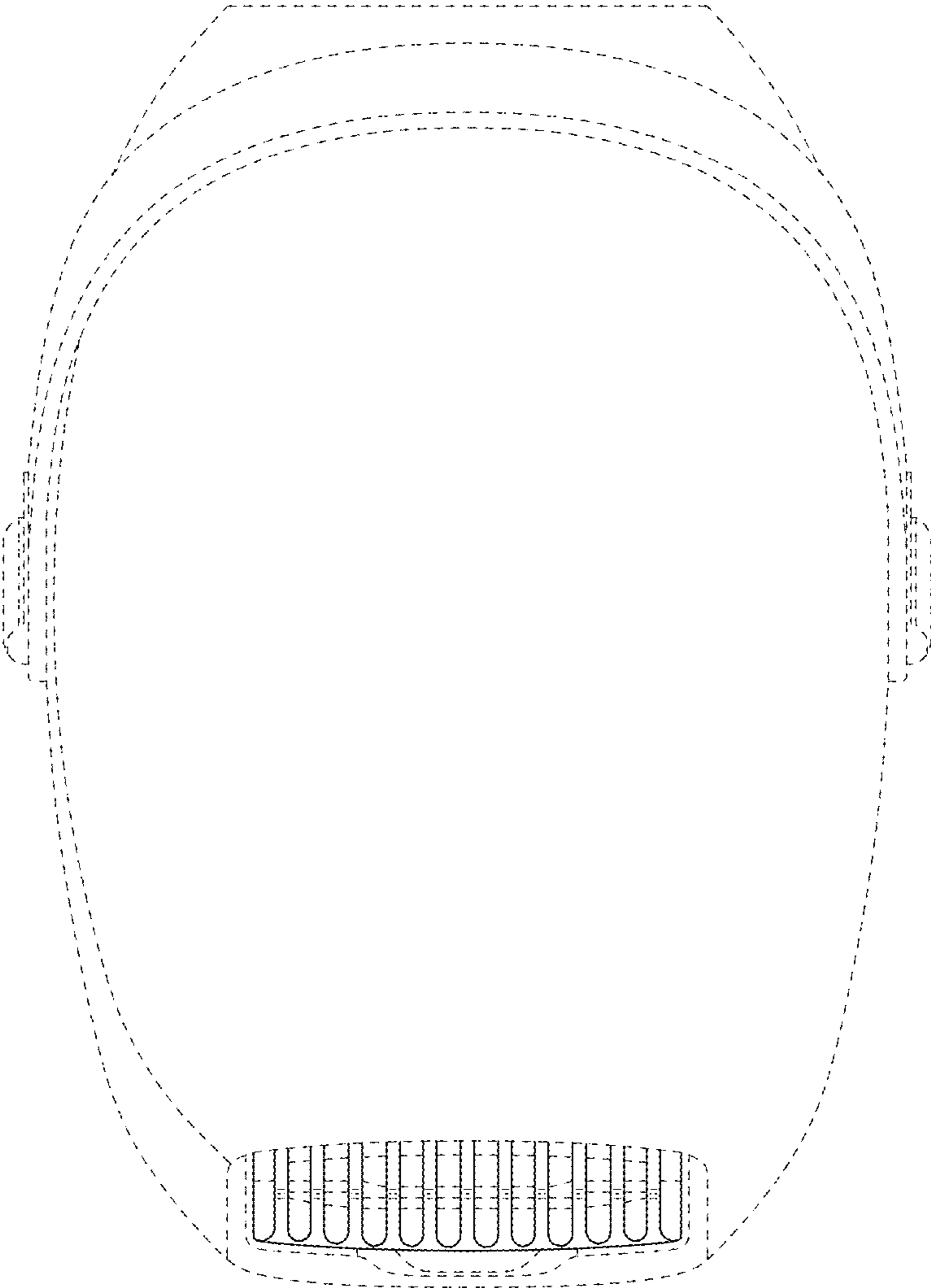


FIG. 7

