



US00D791290S

(12) **United States Design Patent** (10) **Patent No.:** **US D791,290 S**
Shapiro (45) **Date of Patent:** **** Jul. 4, 2017**

(54) **BODY FOR A PORTABLE HEATER**
(71) Applicant: **Lasko Operation Holdings, LLC,**
West Chester, PA (US)
(72) Inventor: **Barry Shapiro,** Doylestown, PA (US)
(73) Assignee: **Lasko Operation Holdings, LLC,**
West Chester, PA (US)

D570,464 S * 6/2008 Normark D23/364
D682,406 S * 5/2013 Yeom D23/356
D688,362 S * 8/2013 Thomas D23/356
D728,089 S * 4/2015 Crisa' D23/366
D735,843 S * 8/2015 Sunwoo D23/333
D755,942 S * 5/2016 Kim D23/364
2010/0254686 A1* 10/2010 Tyburk F24H 3/0417
392/373

(**) Term: **15 Years**
(21) Appl. No.: **29/560,770**
(22) Filed: **Apr. 10, 2016**
(51) **LOC (10) Cl.** **23-03**
(52) **U.S. Cl.**
USPC **D23/332; D23/335**
(58) **Field of Classification Search**
USPC D23/314, 317, 330, 332-333, 335-351,
D23/354-356, 370, 376, 378, 381, 382,
D23/386, 411, 412
CPC ... F24H 3/00; F24H 3/02; F24H 3/002; F24H
3/0411; F24H 3/0417; F24H 3/08; F24H
3/081; F24H 3/10; F24H 3/102; F24H
7/00; F24H 7/002; F24H 7/0208; F24H
7/0216; F24H 9/02; F24D 13/00
See application file for complete search history.

(56) **References Cited**
U.S. PATENT DOCUMENTS
D296,924 S * 7/1988 Rumens D23/343
D312,302 S * 11/1990 Fan D23/335
D323,382 S * 1/1992 Wang D23/335
D346,017 S * 4/1994 Lim D23/332
D394,099 S * 5/1998 Tsuji D23/356
D396,527 S * 7/1998 Boyle D23/332
D448,837 S * 10/2001 Toro D23/335
D483,102 S * 12/2003 Ching D23/335

OTHER PUBLICATIONS

Amazon.com, Advanced Infrared Space Heater Technology, Product page, undated, [online], Retrieved from <URL:https://www.amazon.com/exec/obidos/ASIN/B01AKDCWXY/spaceheaterpro-20>.*

* cited by examiner

Primary Examiner — Sheryl Lane
Assistant Examiner — Calvin E Vansant
(74) *Attorney, Agent, or Firm* — Pepper Hamilton LLP

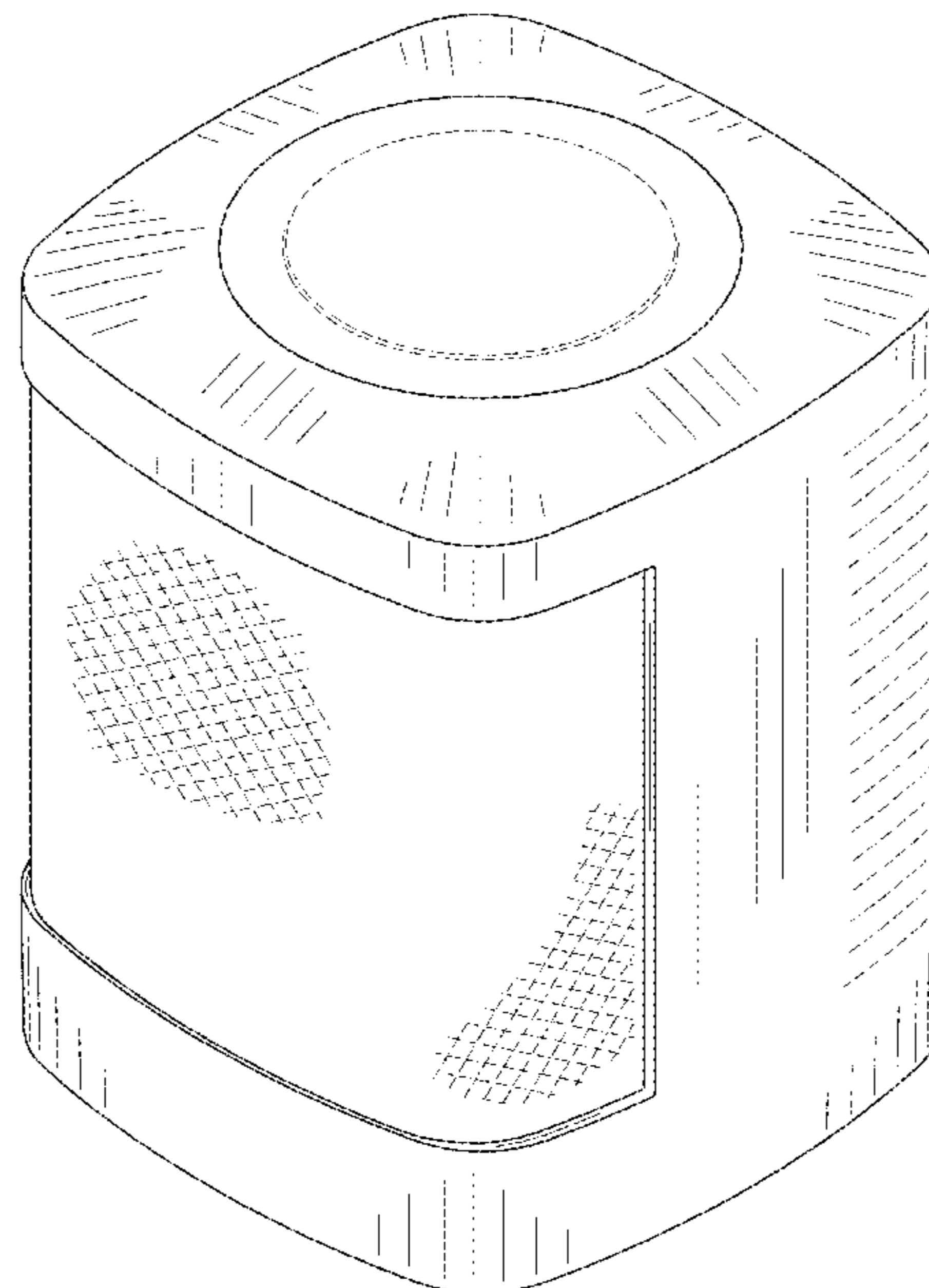
(57) **CLAIM**

The ornamental design for a body for a portable heater, as shown and described.

DESCRIPTION

FIG. 1 is a right side front perspective view of a body for a portable heater showing my new design;
FIG. 2 is a right side rear perspective view thereof;
FIG. 3 is a front elevation view thereof;
FIG. 4 is a right side elevation view thereof;
FIG. 5 is a left side elevation view thereof;
FIG. 6 is a rear elevation view thereof; and,
FIG. 7 is a top plan view thereof.
The broken lines represent unclaimed portions of a body for a portable heater and form no part of the claimed design.

1 Claim, 7 Drawing Sheets



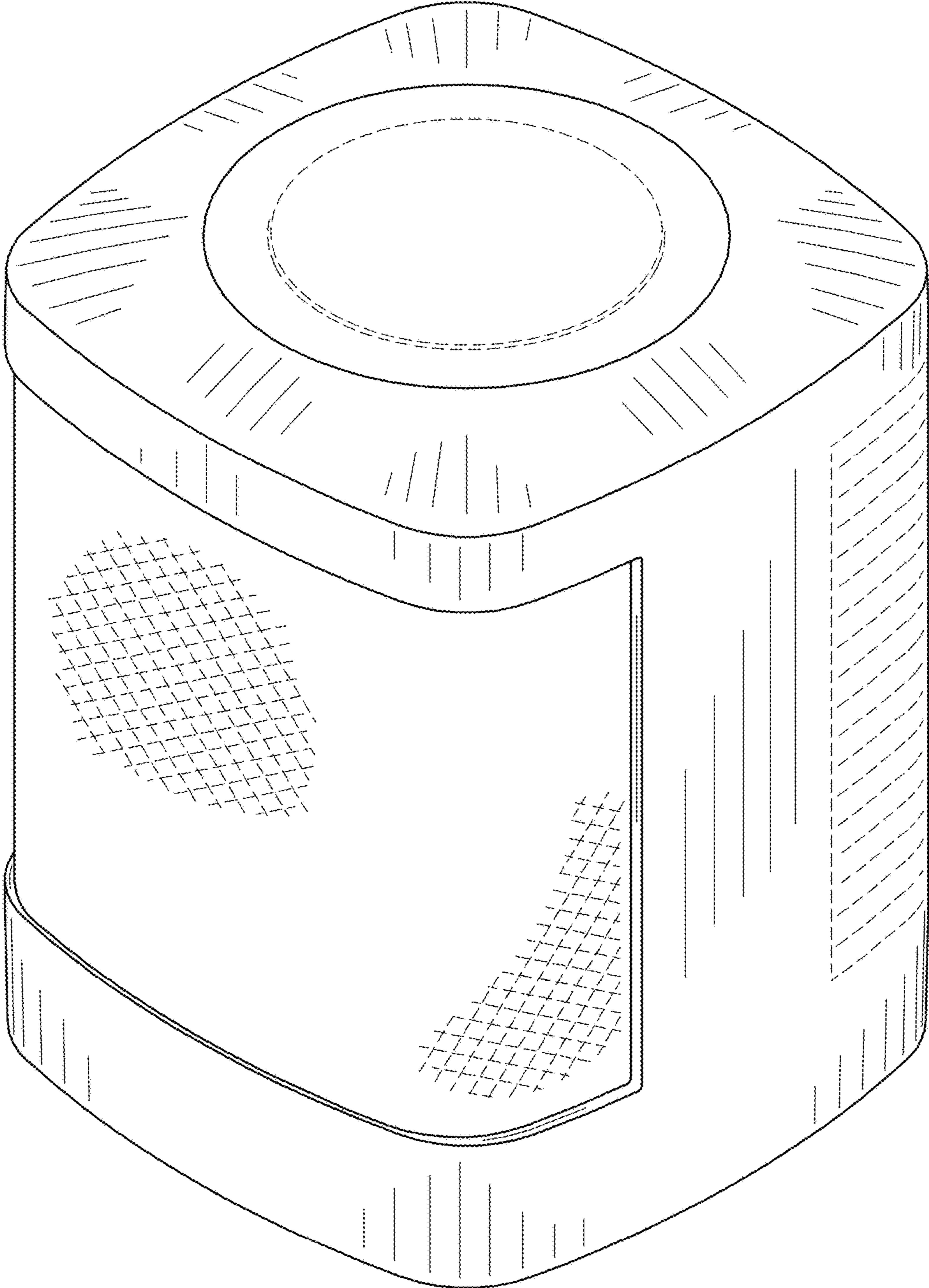


FIG. 1

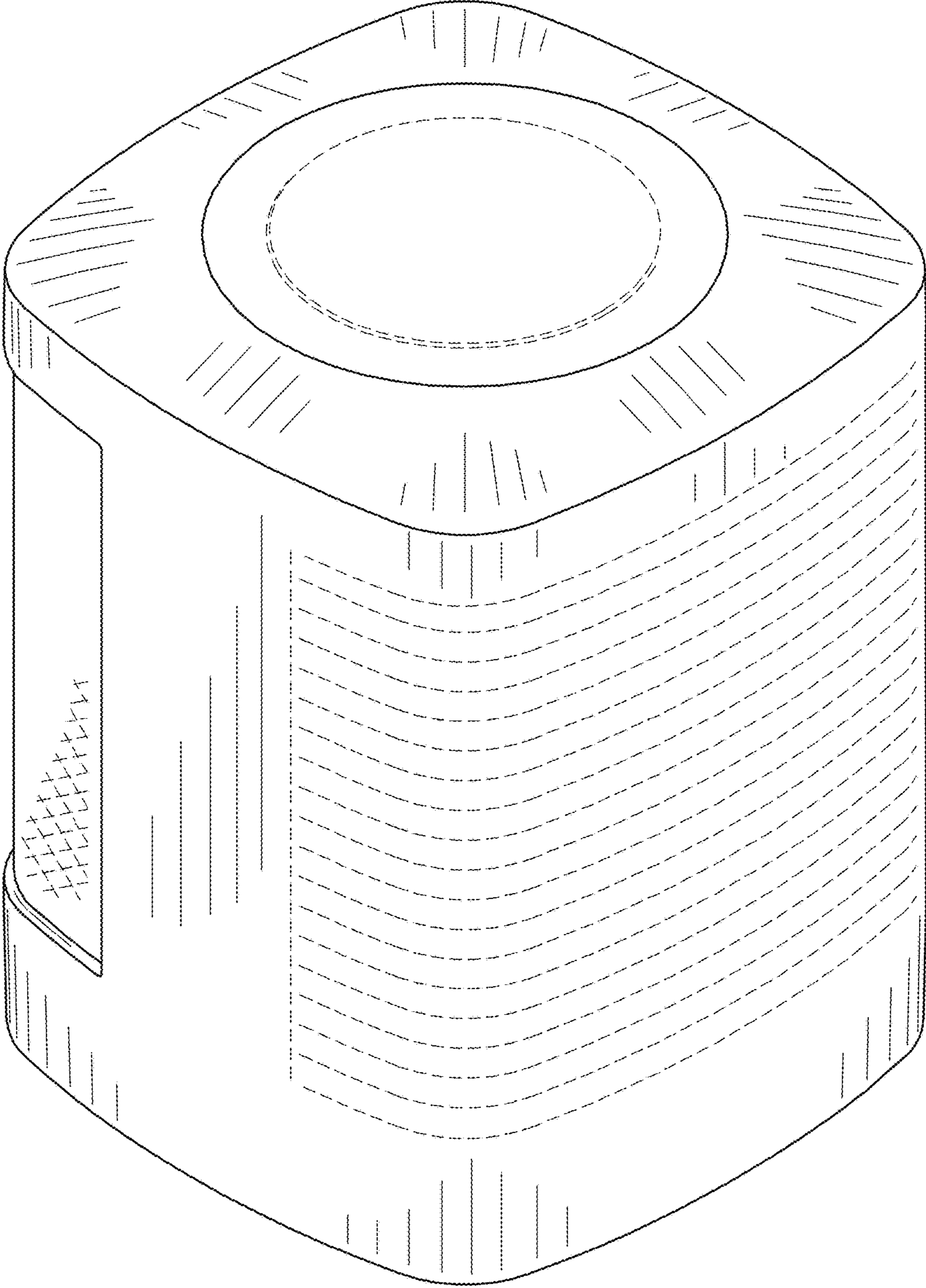


FIG. 2

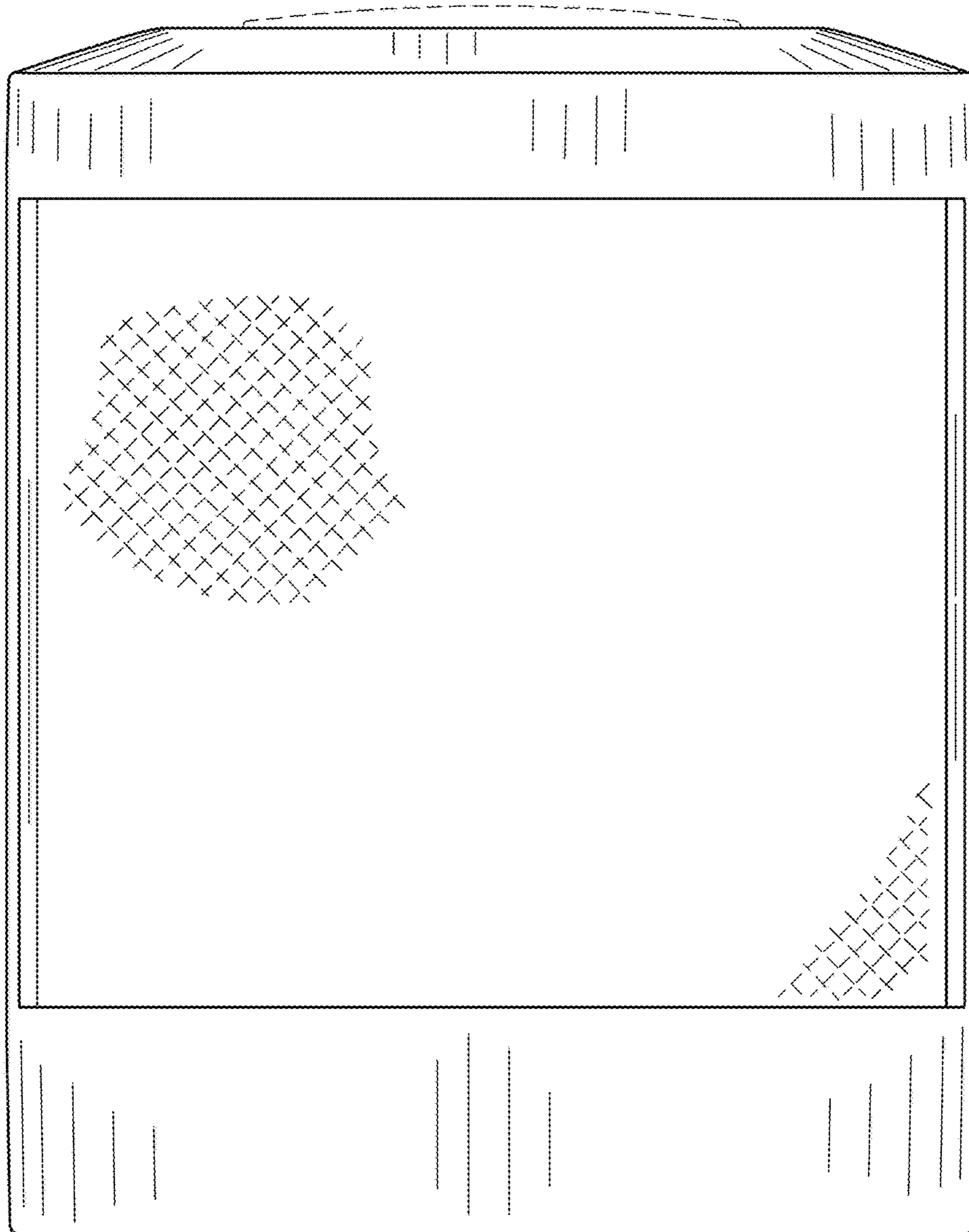


FIG. 3

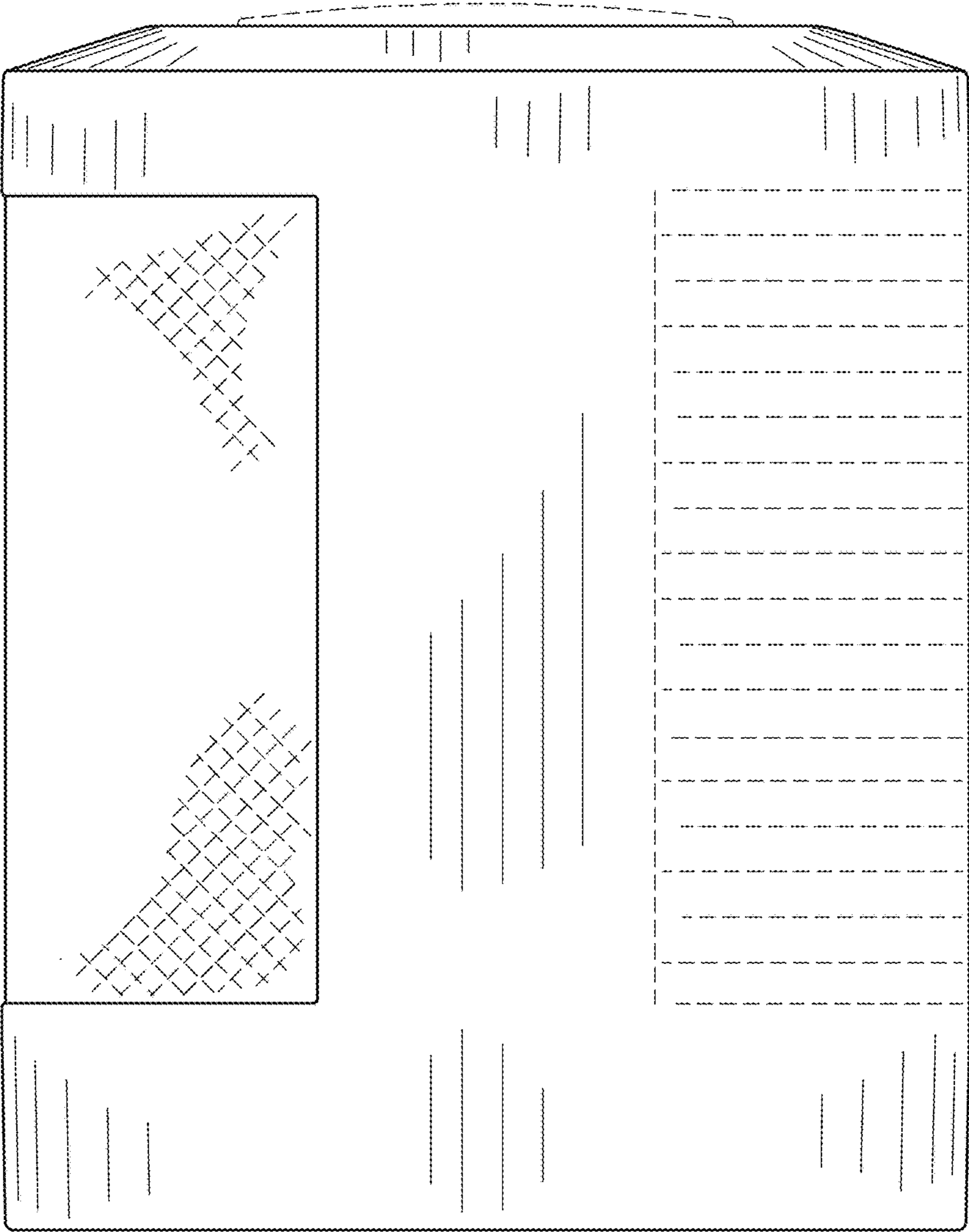


FIG. 4

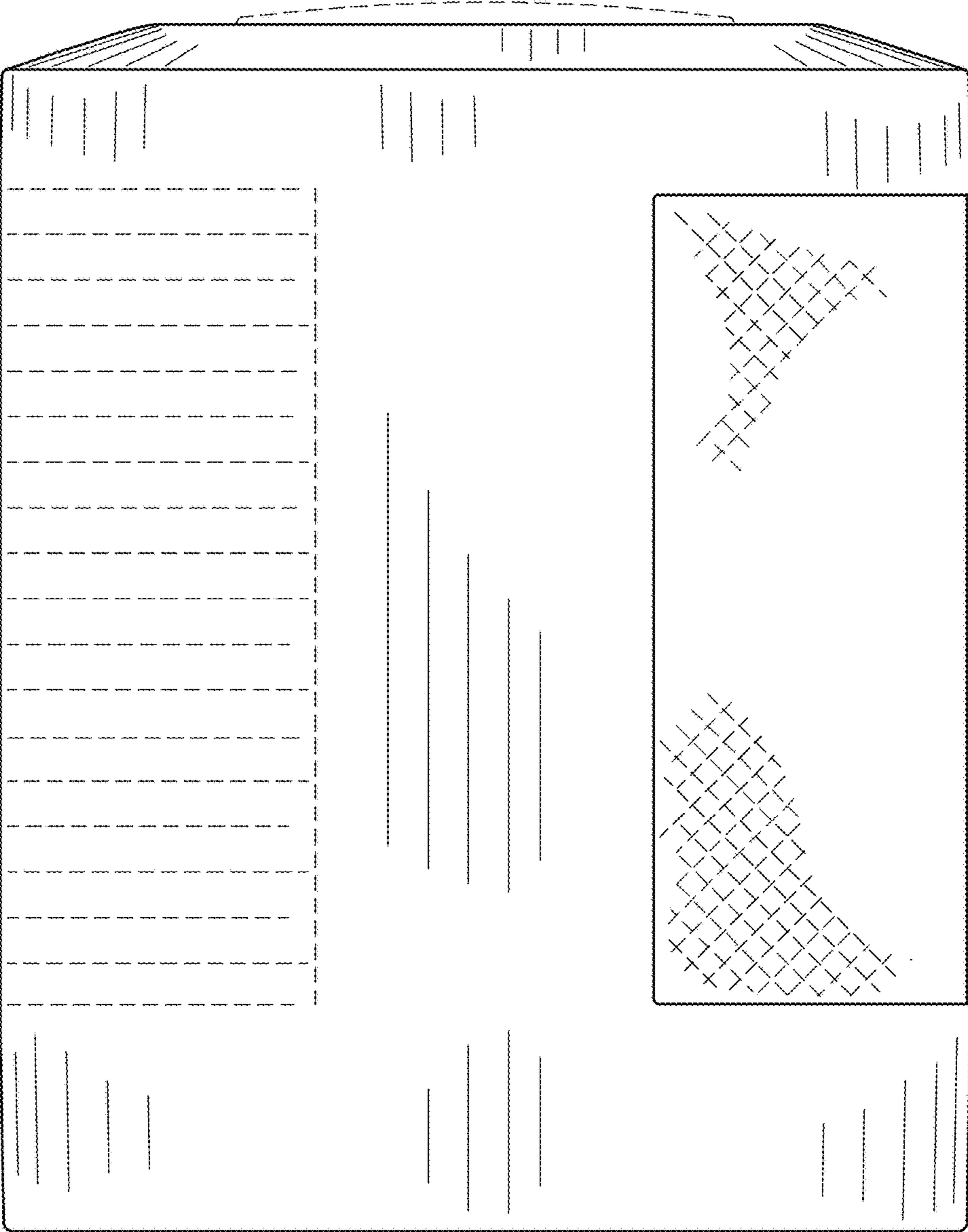


FIG. 5

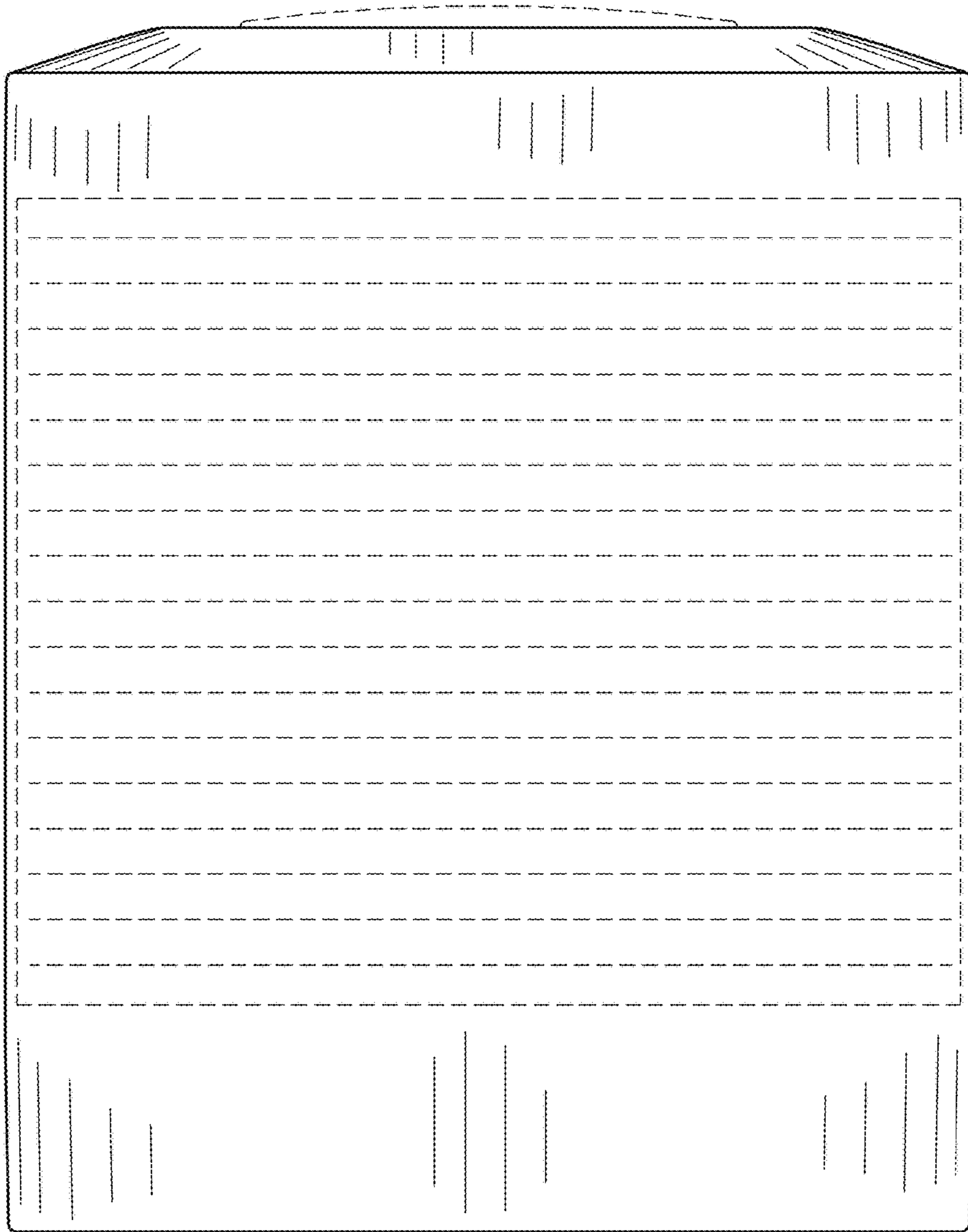


FIG. 6

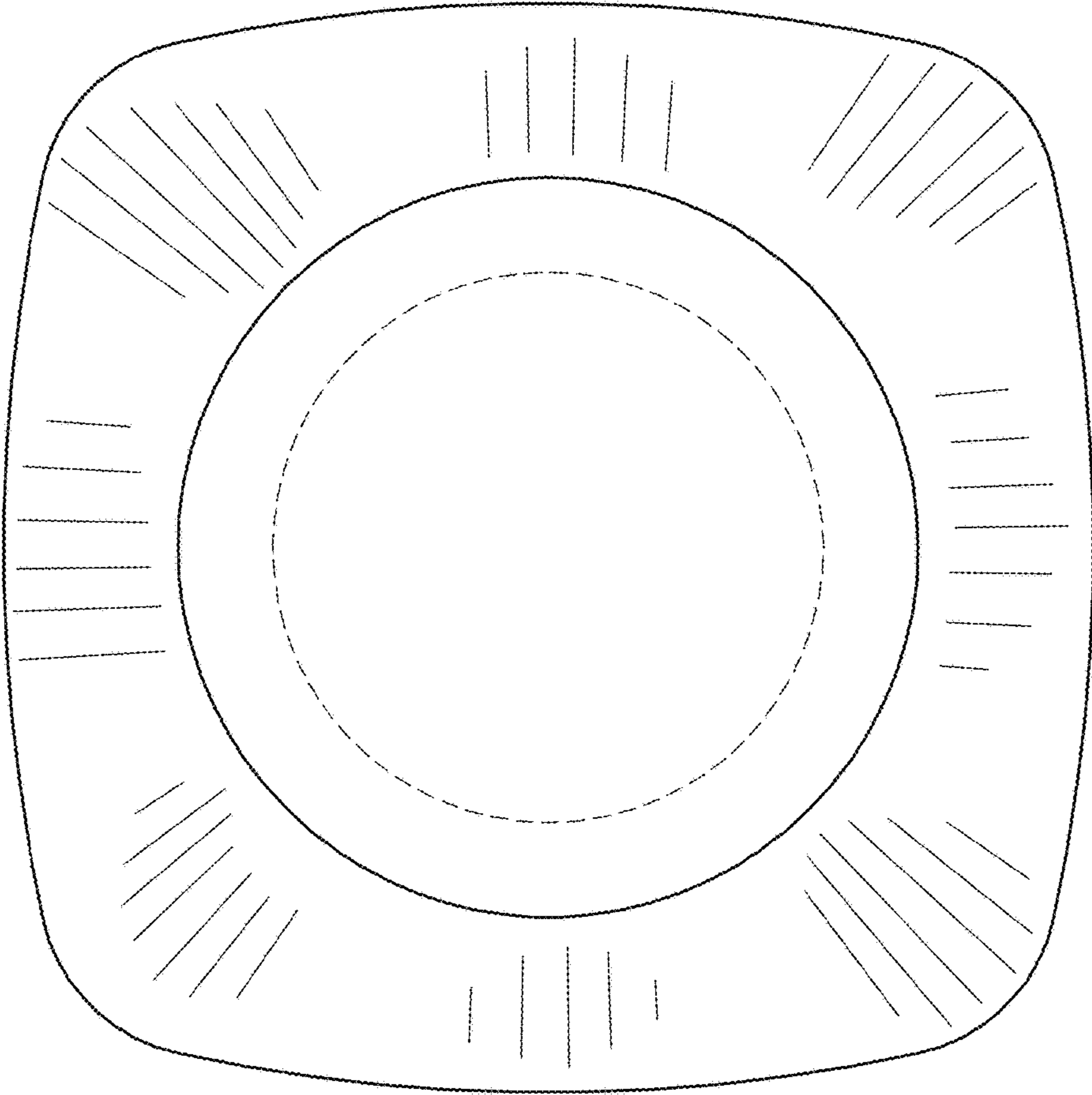


FIG. 7