



US00D791287S

(12) **United States Design Patent** (10) **Patent No.:** **US D791,287 S**  
**Adams** (45) **Date of Patent:** **\*\* Jul. 4, 2017**

(54) **FASCIA GUTTER**  
(71) Applicant: **Mike Adams**, Fullerton, CA (US)  
(72) Inventor: **Mike Adams**, Fullerton, CA (US)  
(\*\*) Term: **14 Years**  
(21) Appl. No.: **29/526,481**  
(22) Filed: **May 9, 2015**  
(51) **LOC (10) Cl.** ..... **23-01**  
(52) **U.S. Cl.**  
USPC ..... **D23/267**  
(58) **Field of Classification Search**  
USPC ..... D23/259, 261-262, 264-265, 267-269,  
D23/393; D25/119-125, 141  
CPC ... E04D 13/08; E04D 13/076; E04D 13/0722;  
E04D 13/0725; E04D 2013/0833; E04D  
2013/082; E04D 2013/0866; E04D  
2013/086; E04B 1/3404; E04B 1/7069  
See application file for complete search history.

6,988,335 B2 1/2006 Eysers  
D518,186 S \* 3/2006 Zarb ..... D25/119  
D586,436 S 2/2009 Cangialosi  
D586,437 S 2/2009 Cangialosi  
D646,763 S \* 10/2011 Straughn ..... D23/266  
(Continued)

**OTHER PUBLICATIONS**

<http://www.coverkits.com/InstallationInstructions/InstructionsUninsulatedNewport.pdf> www.coverkits.com as of Apr. 13, 2015, Publication Date unknown.  
(Continued)

*Primary Examiner* — Eric Goodman  
*Assistant Examiner* — Amy Wierenga  
(74) *Attorney, Agent, or Firm* — The Law Office of Austin Bonderer, PC; Austin Bonderer

(57) **CLAIM**

The ornamental design for a fascia gutter, as shown and described.

(56) **References Cited**

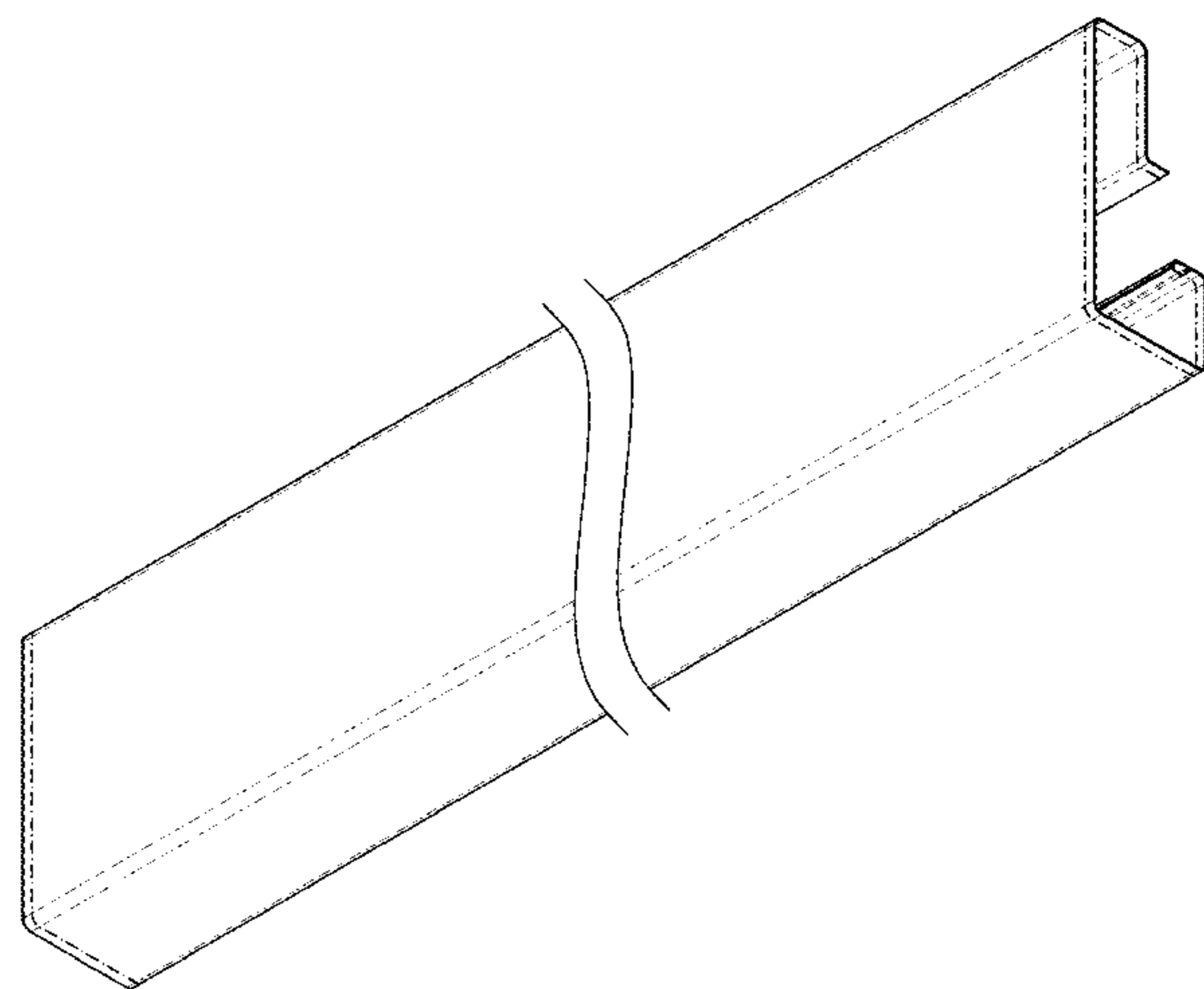
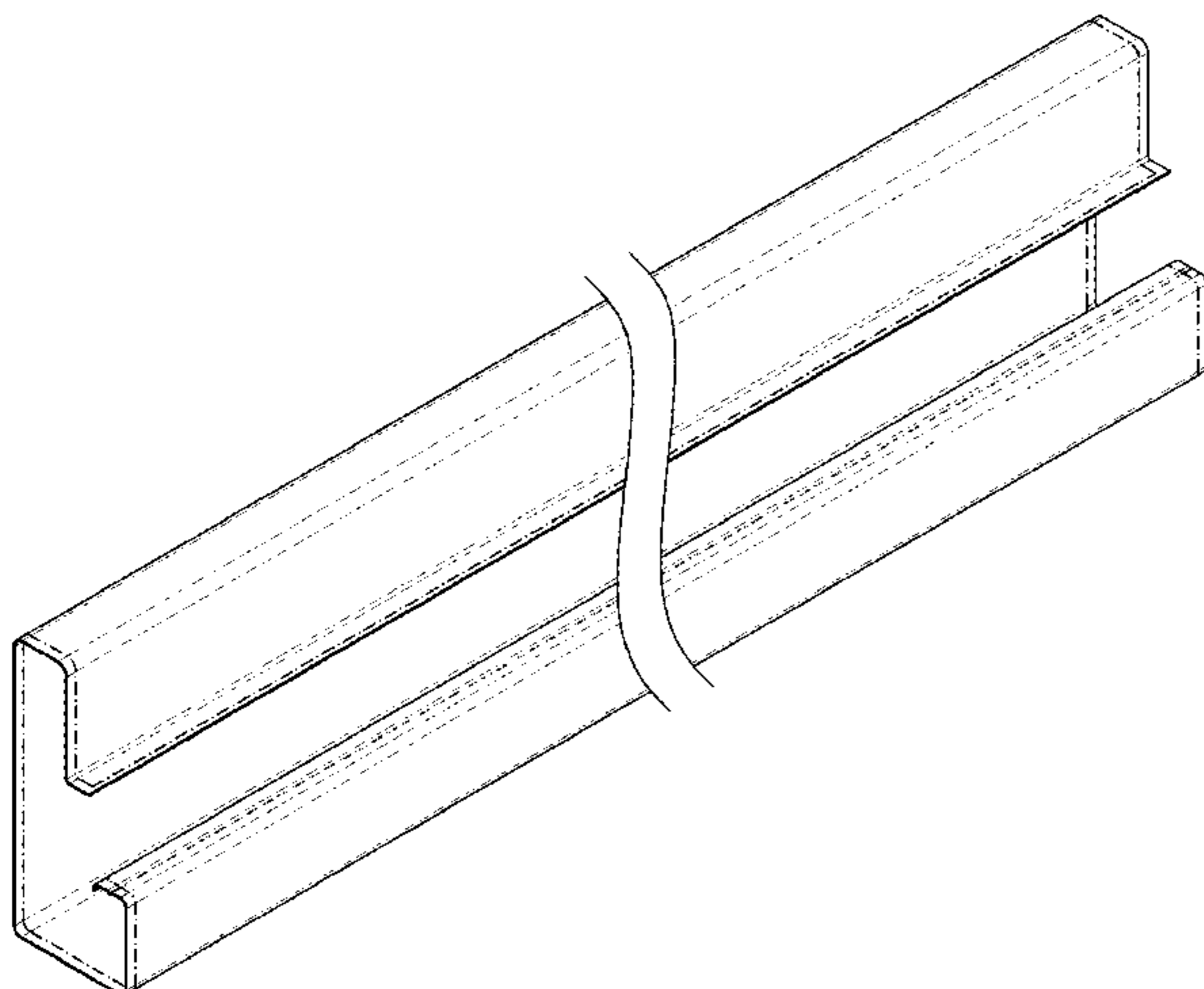
**U.S. PATENT DOCUMENTS**

D217,247 S	4/1970	Brown	
3,545,144 A	12/1970	Sickler	
4,142,370 A *	3/1979	Giordano	..... E04D 13/068 405/119
D268,703 S *	4/1983	Lloyd-Jones	..... D25/55
D276,684 S	12/1984	Sublett	
D328,500 S	8/1992	Hardy	
5,216,861 A	6/1993	Meyerson	
5,345,727 A	9/1994	McCrea	
5,502,939 A	4/1996	Zadok	
5,765,328 A	6/1998	Moore	
D420,149 S *	2/2000	Hersh	..... D25/119
D425,605 S	5/2000	Palmisano	
D450,107 S	11/2001	Van Adrichem	
D454,180 S	3/2002	Wessels	
D468,445 S *	1/2003	Cormier	..... D25/55
D479,751 S *	9/2003	Schofield	..... D23/267
D486,921 S *	2/2004	Zyburt	..... D25/119
D497,751 S	11/2004	Roberts	

**DESCRIPTION**

FIG. 1 is a rear top auxiliary view of the fascia gutter showing my new design;  
FIG. 2 is a front bottom auxiliary view thereof;  
FIG. 3 is a rear side plan view thereof  
FIG. 4 is a front side plan view thereof;  
FIG. 5 is a bottom plan view thereof;  
FIG. 6 is a top plan view thereof; and,  
FIG. 7 is a side plan view thereof.  
The dashed broken lines in the drawings depict portions (or contours) of the fascia gutter that form no part of the claim. The dash-dot broken lines define the boundaries of the claim that form no part of the claim. FIGS. 1- 6 are shown with a symbolic break in their length. The appearance of any portion of the article between the break lines form no part of the claimed design.

**1 Claim, 4 Drawing Sheets**



(56)

**References Cited**

U.S. PATENT DOCUMENTS

D677,767 S 3/2013 Adams  
D679,369 S 4/2013 Adams  
D680,200 S 4/2013 Adams  
D680,201 S 4/2013 Adams  
8,590,211 B1 \* 11/2013 Adams ..... E04D 13/064  
52/11  
8,978,312 B2 \* 3/2015 Chin-Yee ..... E04D 13/064  
52/11  
9,115,496 B2 \* 8/2015 Adams ..... E04D 13/158  
D745,643 S \* 12/2015 Rowton ..... D23/267  
D749,775 S \* 2/2016 Provitola ..... D26/118  
2004/0163330 A1 8/2004 Crum  
2009/0266018 A1 10/2009 Stockton  
2013/0276380 A1 \* 10/2013 Adams ..... E04D 13/158  
52/12

OTHER PUBLICATIONS

[http://www.alumashade.com/docs/2013\\_Solid\\_Instructions.pdf](http://www.alumashade.com/docs/2013_Solid_Instructions.pdf)  
www.alumashade.com as of Apr. 13, 2015, Publication Date  
unknown.  
Amerimax Building Products, Inc—Amerimax Building Products  
Patio Cover, Carport and Commercial Structure Engineering, Date  
Unknown, but at least Jun. 2010.

\* cited by examiner

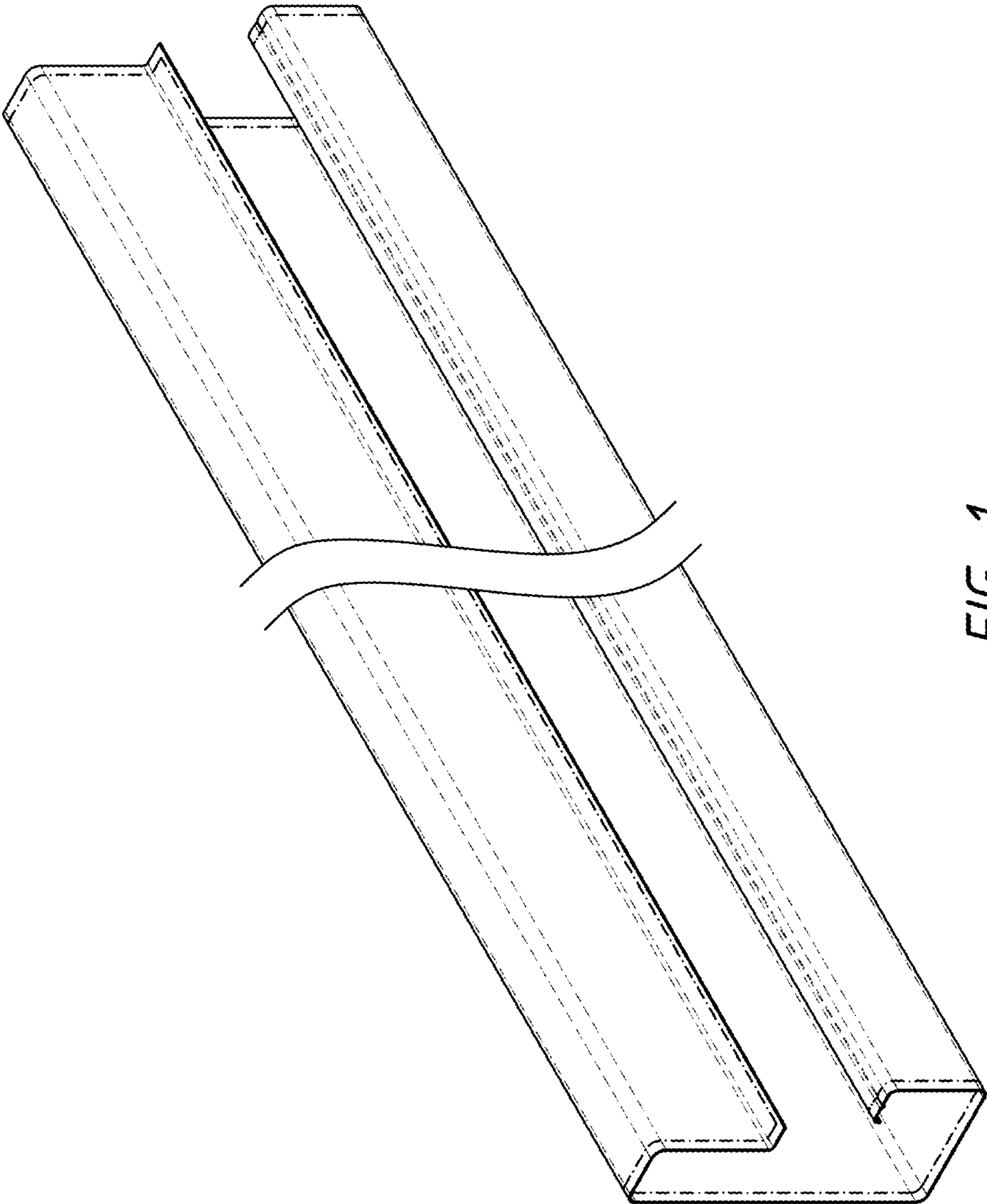


FIG. 1

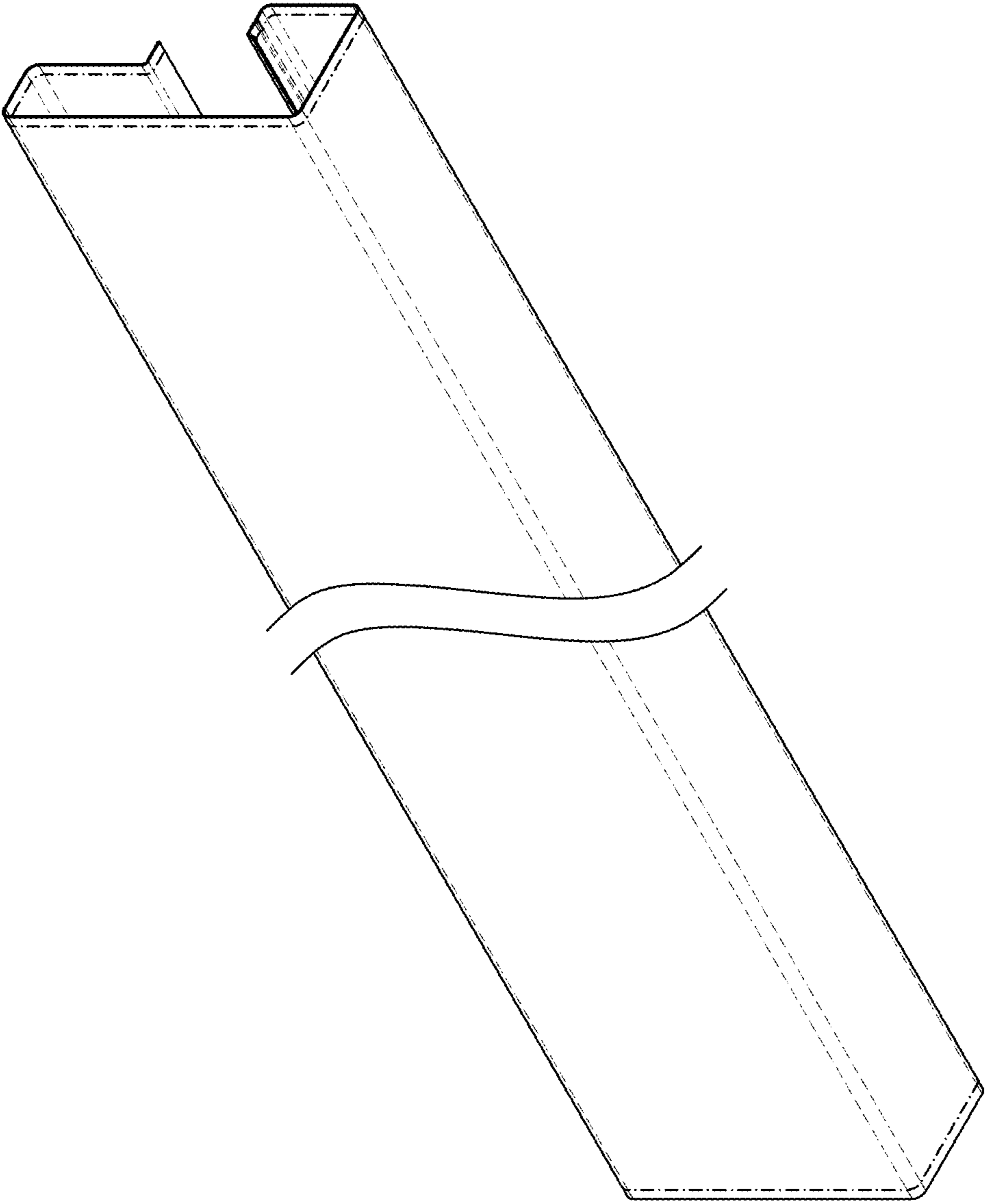


FIG. 2

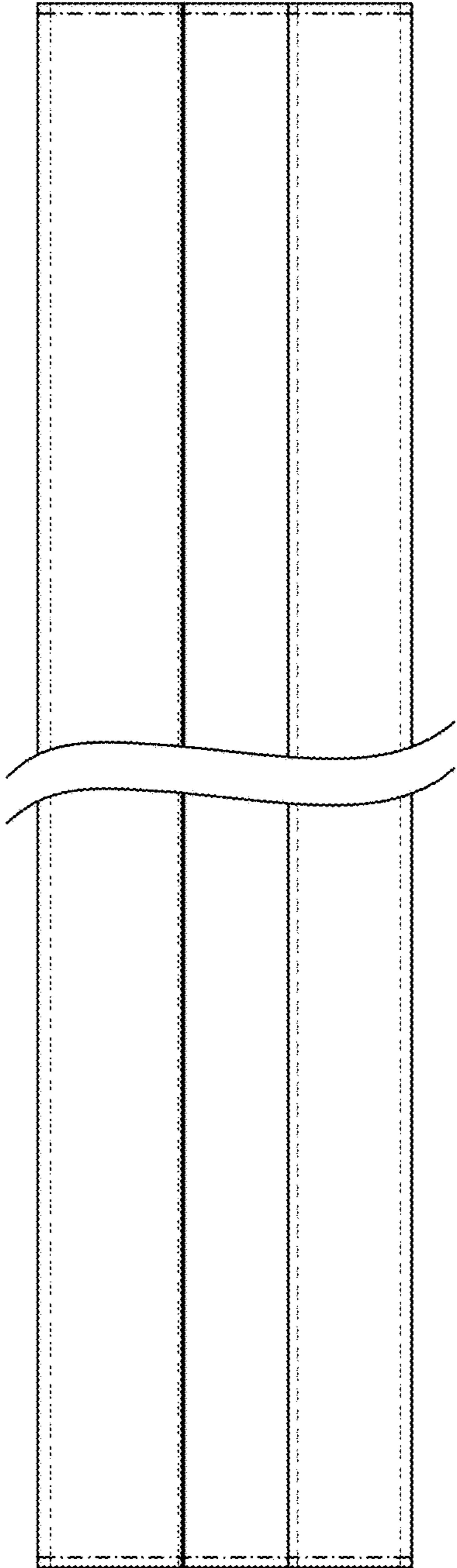


FIG. 3

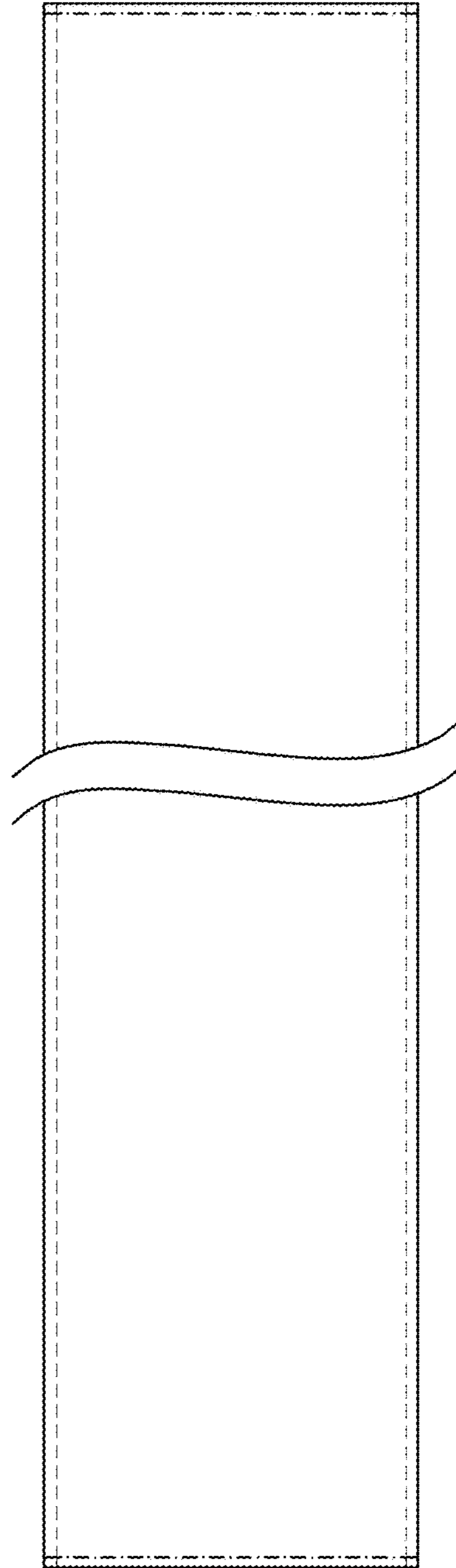


FIG. 4

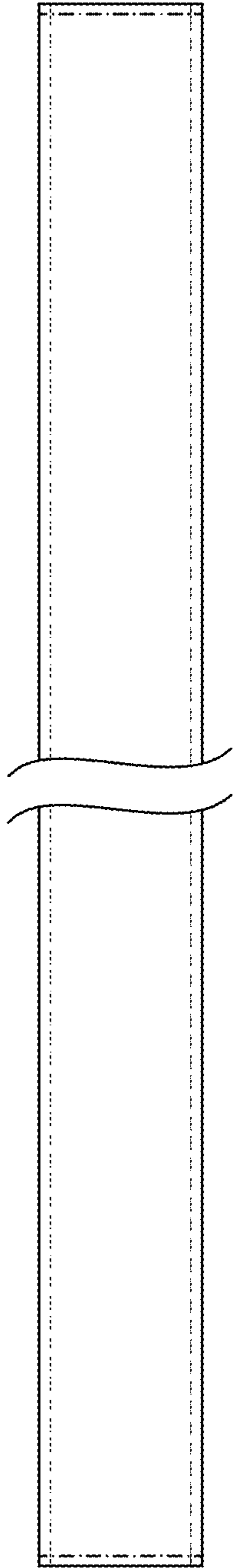


FIG. 5

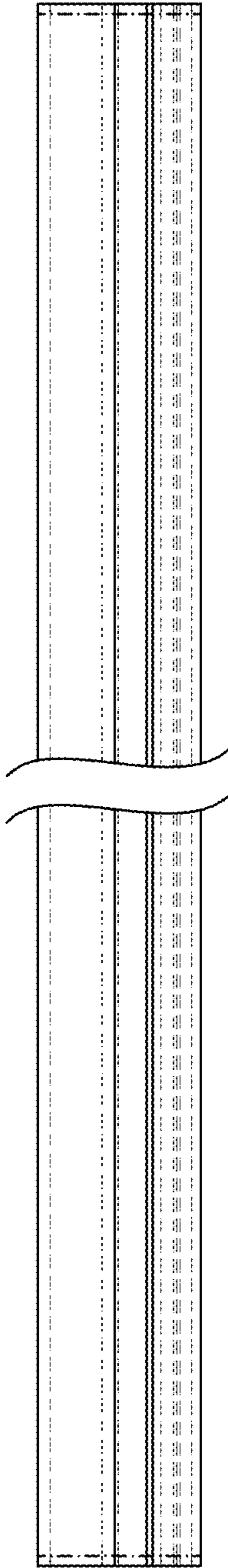


FIG. 6

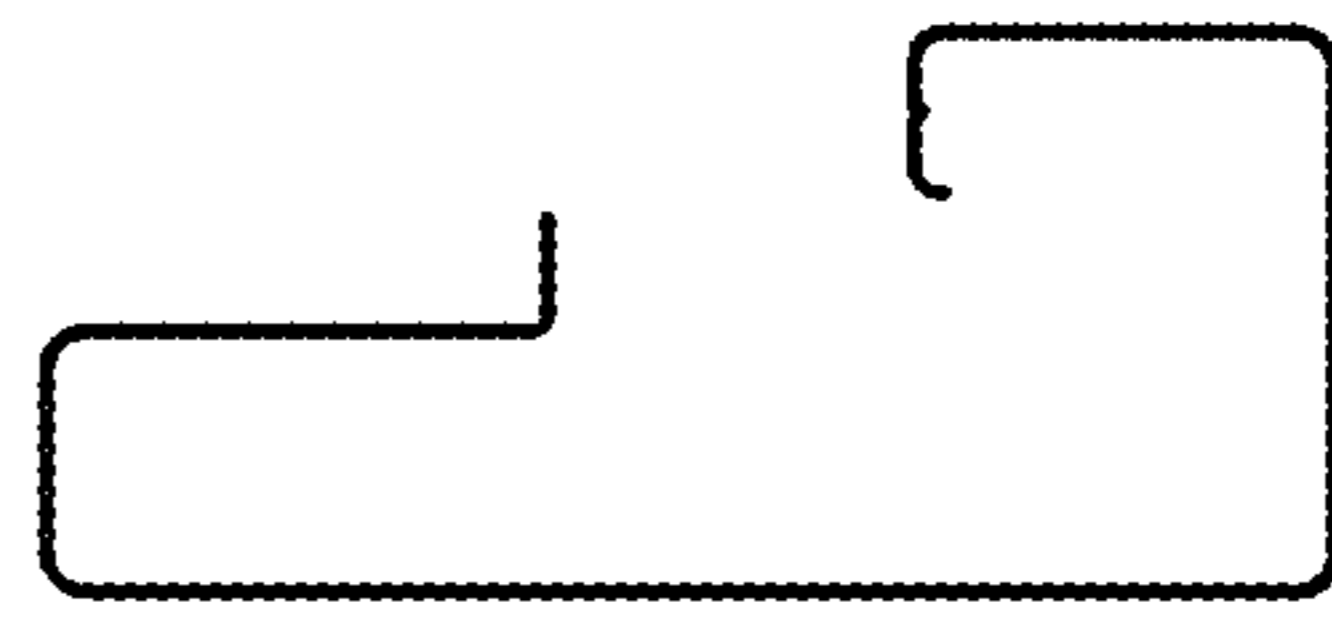


FIG. 7