



US00D791286S

(12) **United States Design Patent** (10) **Patent No.:** **US D791,286 S**
Downey et al. (45) **Date of Patent:** **** Jul. 4, 2017**

(54) **TUB FILLER**
 (71) Applicant: **Spectrum Brands, Inc.**, Middleton, WI (US)
 (72) Inventors: **David Downey**, Mission Viejo, CA (US); **Aaron Hanna**, Corona, CA (US); **Tony Zhang**, Xiamen (CN)
 (73) Assignee: **Spectrum Brands, Inc.**, Middleton, WI (US)

D583,442 S 12/2008 Montgomery et al.
 D619,223 S 7/2010 Sofield
 D657,440 S * 4/2012 Slothower D23/255
 D677,761 S 3/2013 Lord
 D677,762 S 3/2013 Lord
 D679,367 S 4/2013 Kwok
 D687,520 S 8/2013 Lord
 D690,400 S 9/2013 Flowers et al.
 D710,975 S 8/2014 Huang
 D710,976 S 8/2014 Huang
 D712,520 S 9/2014 Citterio
 D720,433 S 12/2014 Fritz

(Continued)

(**) Term: **15 Years**

FOREIGN PATENT DOCUMENTS

(21) Appl. No.: **29/561,358**

EM D67280-06 6/2005
 EM D70856-02 9/2008
 EM D81264-04 7/2013

(22) Filed: **Apr. 15, 2016**

(51) **LOC (10) Cl.** **23-01**

(52) **U.S. Cl.**
USPC **D23/257**

(58) **Field of Classification Search**
USPC D23/238-243, 249, 255, 257
CPC E03C 1/04; E03C 1/0401; E03C 1/0402;
E03C 1/0404

See application file for complete search history.

Primary Examiner — Robert Delehanty

(74) *Attorney, Agent, or Firm* — Banner & Witcoff, Ltd.

(57) **CLAIM**

The ornamental design for a tub filler, as shown and described.

DESCRIPTION

FIG. 1 is a front perspective view of a tub filler showing our new design;

FIG. 2 is a left side view thereof;

FIG. 3 is a right side view thereof;

FIG. 4 is a front view thereof;

FIG. 5 is a top view thereof; and,

FIG. 6 is a bottom view thereof.

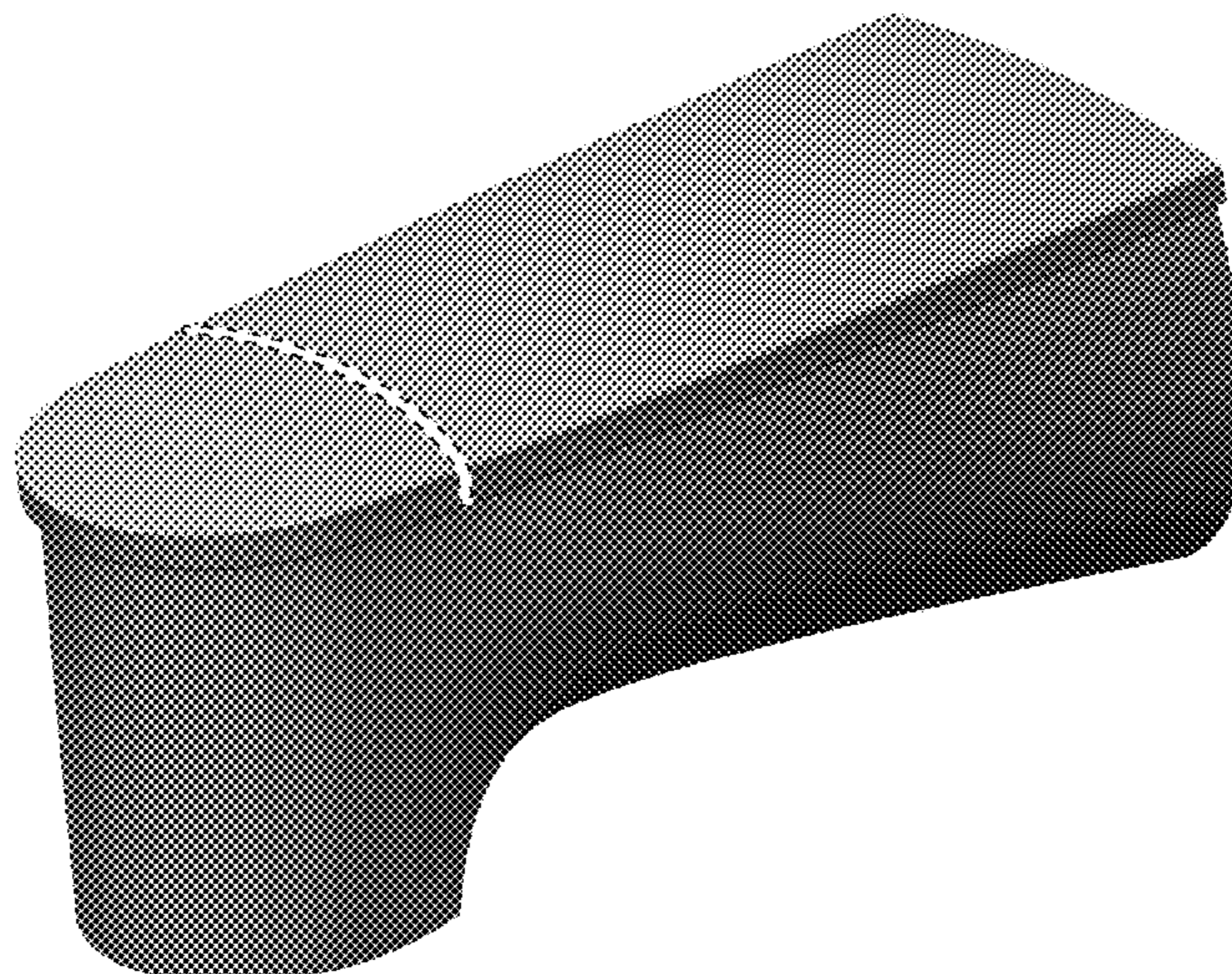
The broken lines adjacent to the photographic image form unclaimed boundaries of the design. The broken line defining the spout opening in FIG. 6 and the unshaded region therein form no part of the claimed design. The unshaded regions representing the gap between the disclaimed boundaries form no part of the claimed design.

1 Claim, 6 Drawing Sheets

(56) **References Cited**

U.S. PATENT DOCUMENTS

D316,895 S 5/1991 Hill et al.
 D321,039 S 10/1991 Robbins
 D353,877 S * 12/1994 Rogers D23/255
 D366,100 S * 1/1996 Doughty D23/255
 D444,860 S 7/2001 Slothower
 6,449,784 B1 * 9/2002 Pelletz E03C 1/0404
 137/801
 D507,039 S 7/2005 Tzeng
 D512,133 S 11/2005 Kosasih
 D531,280 S 10/2006 Kohler, Jr. et al.
 D531,705 S 11/2006 Green
 D546,424 S 7/2007 Kohler, Jr. et al.
 D573,695 S 7/2008 Rexach



(56)

References Cited

U.S. PATENT DOCUMENTS

D720,435 S 12/2014 Lu
D744,073 S 11/2015 Waggoner et al.
D746,949 S * 1/2016 Thompson D23/255
D750,756 S 3/2016 Flowers et al.

* cited by examiner

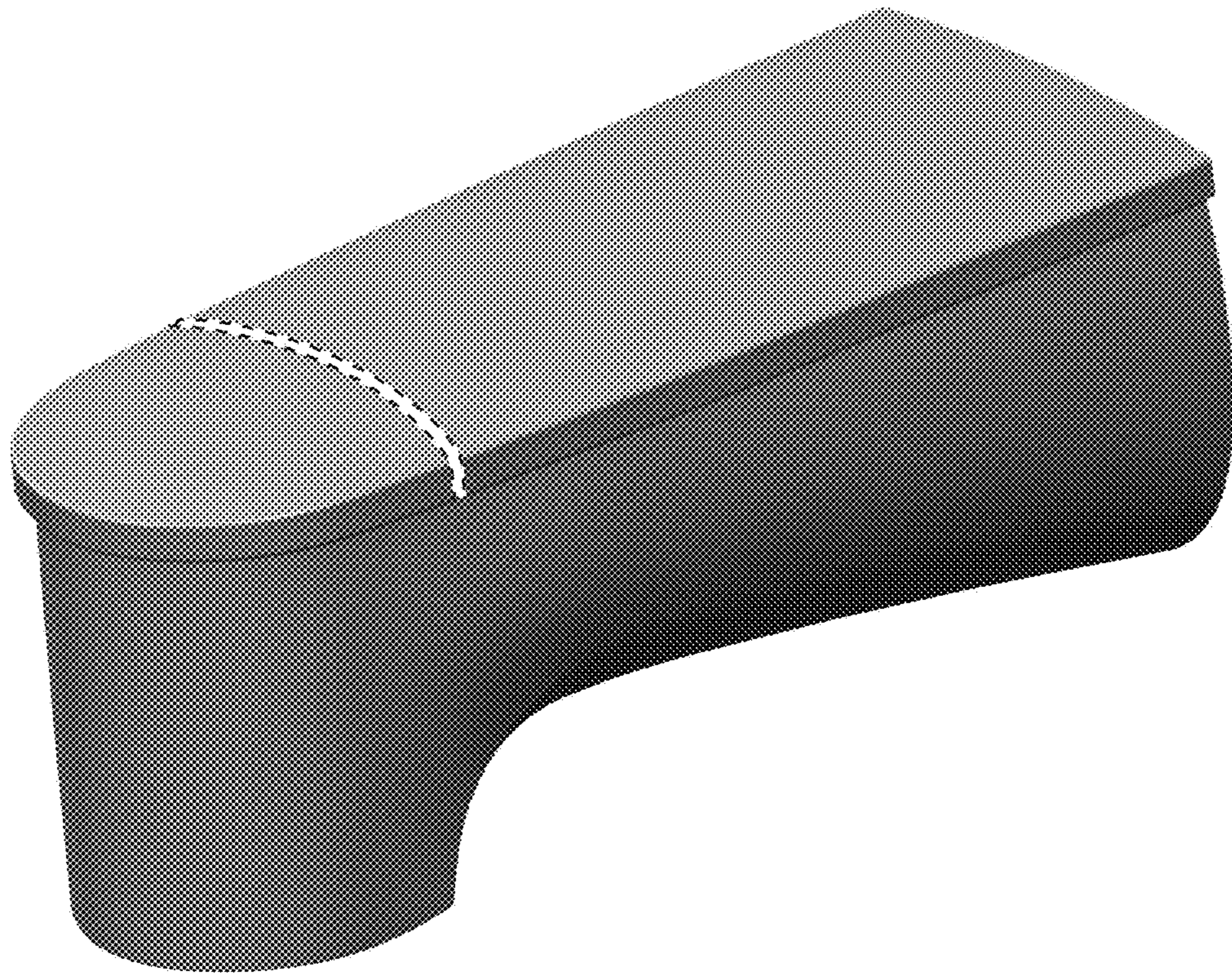


FIG. 1

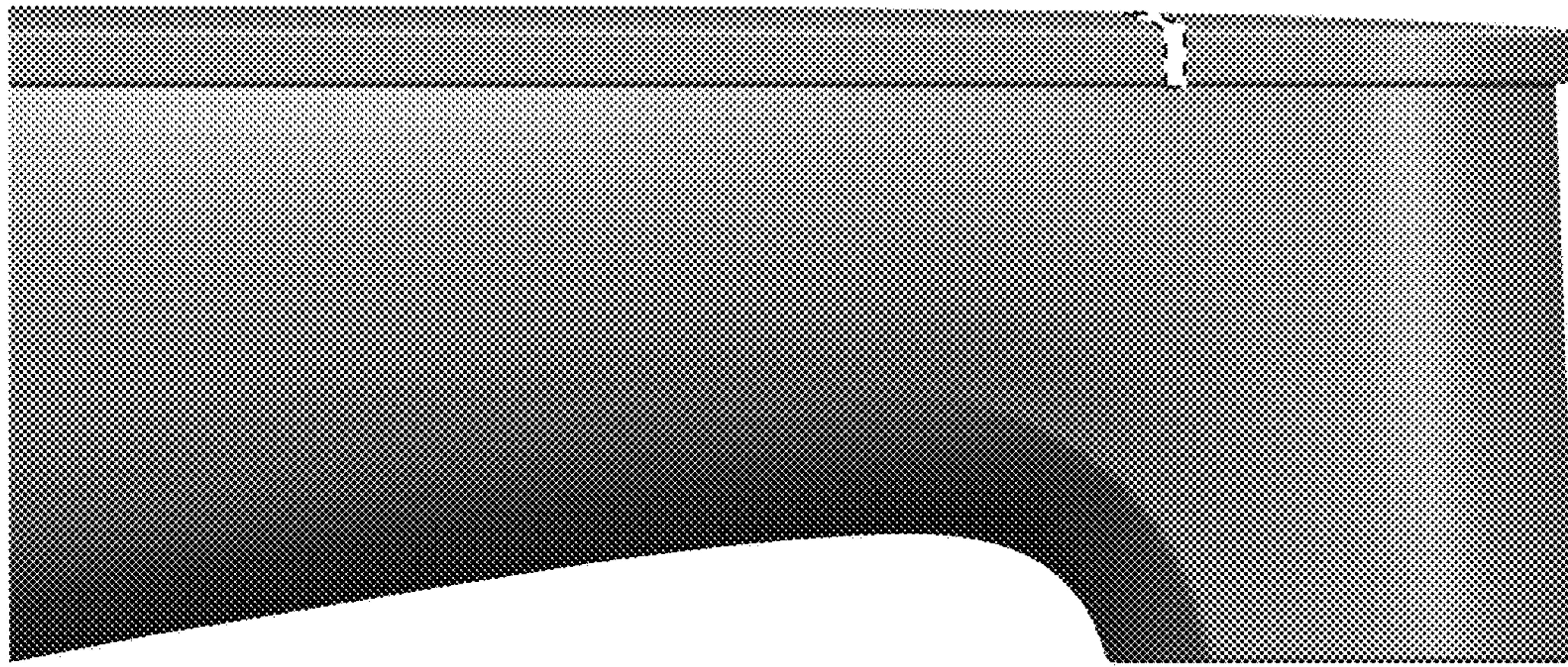


FIG. 2

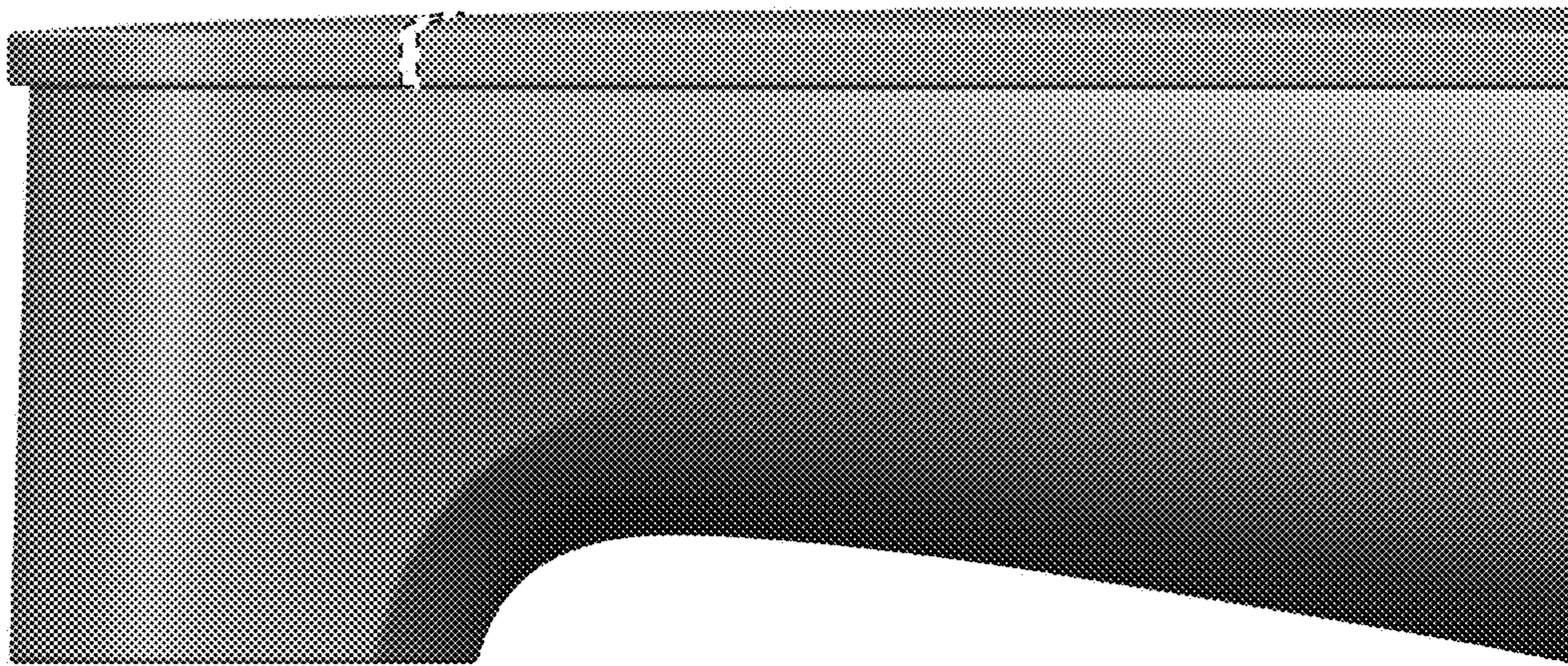


FIG. 3

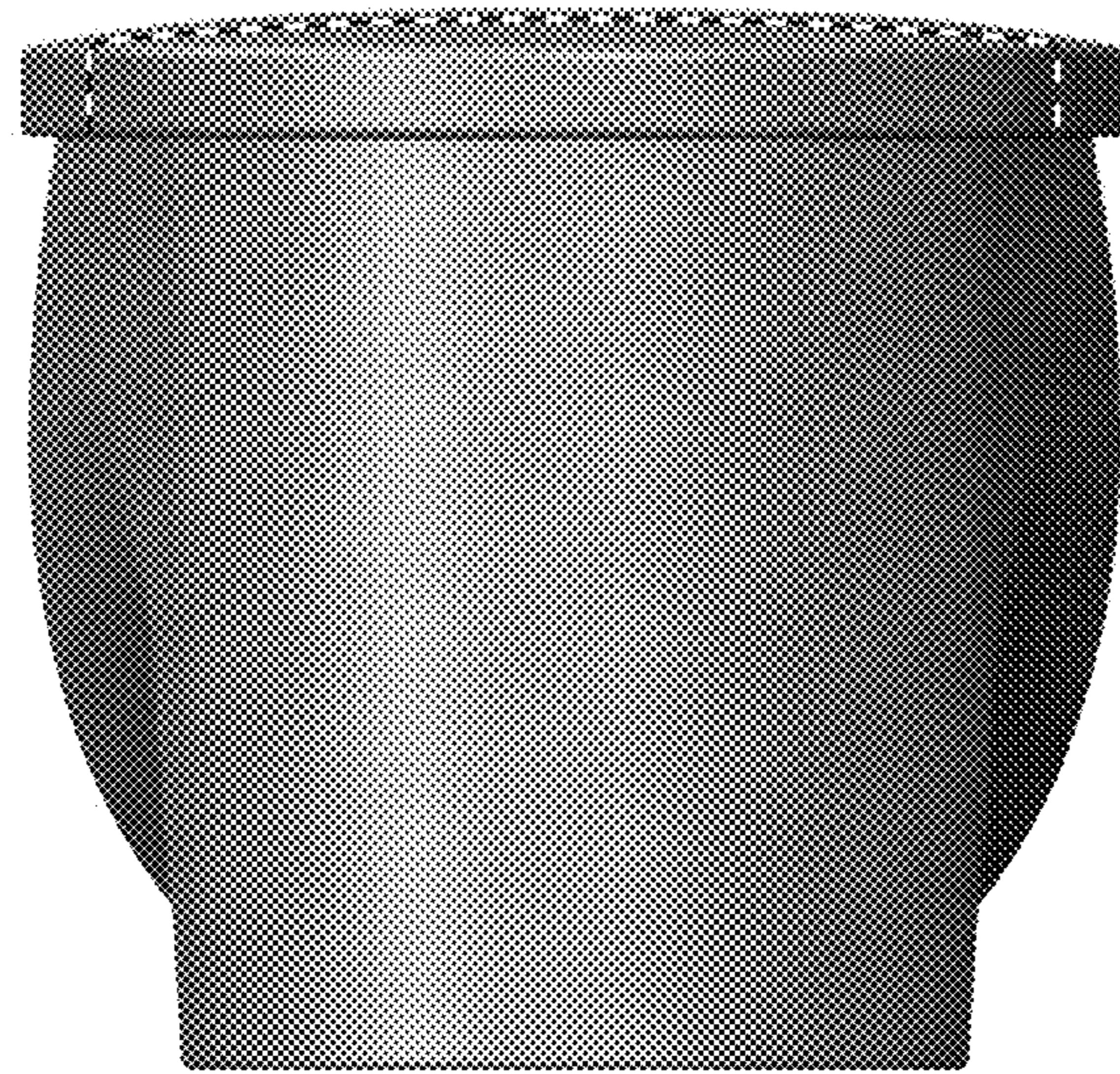


FIG. 4

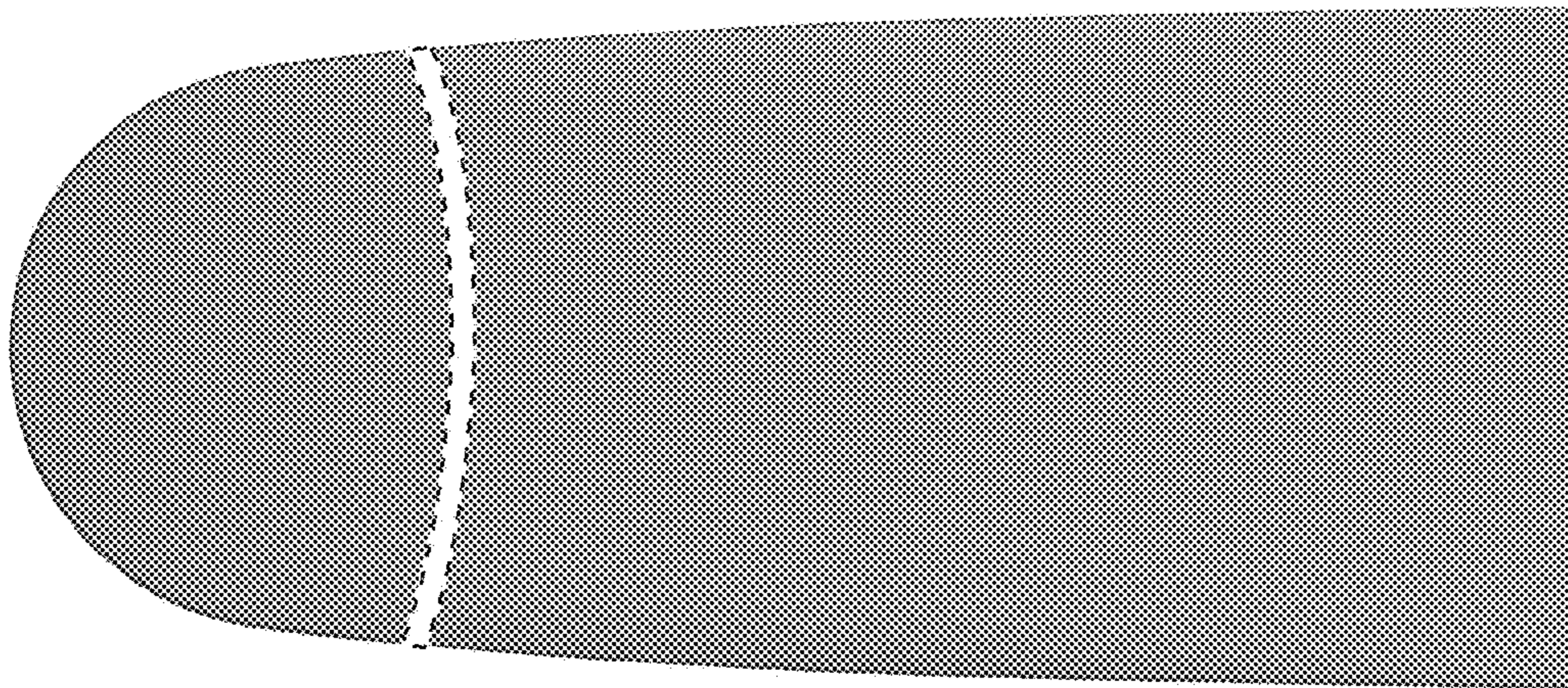


FIG. 5

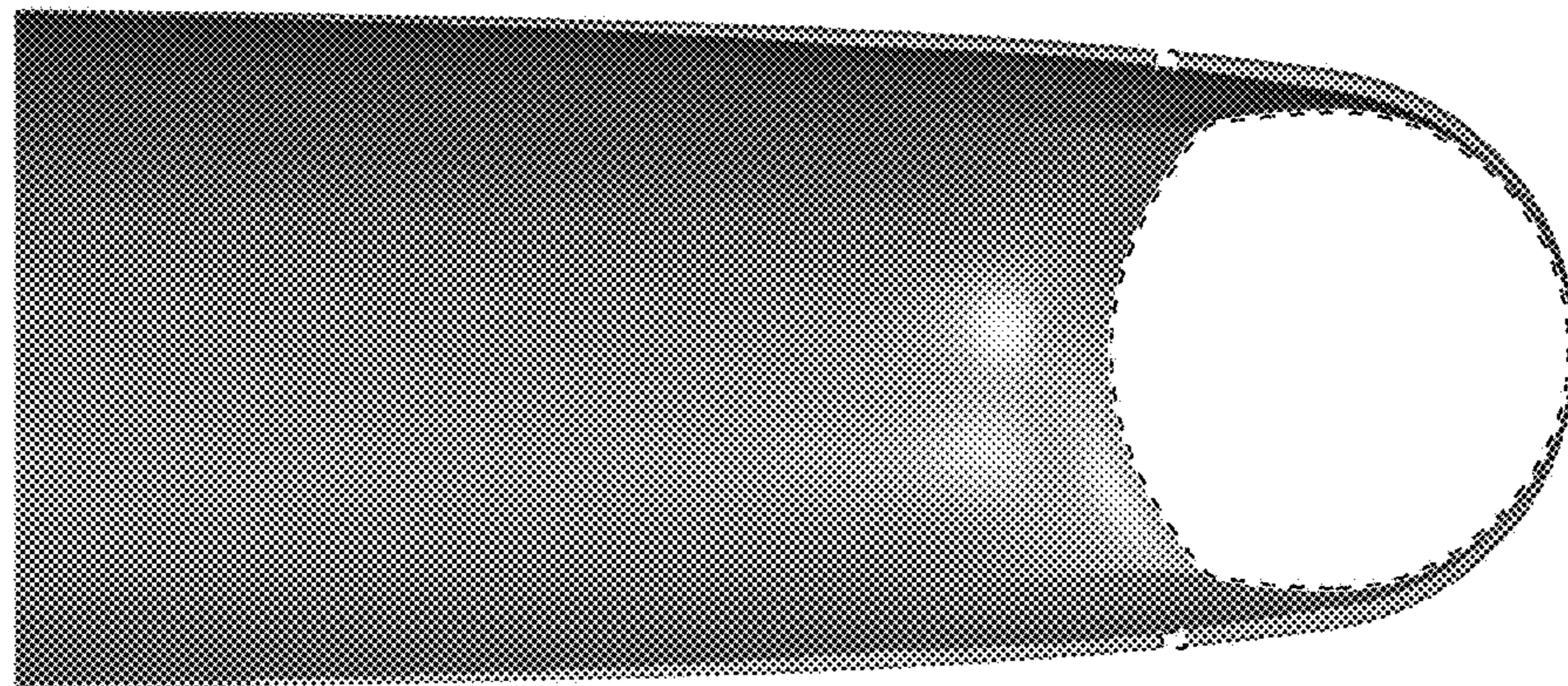


FIG. 6