

US00D791284S

(12) **United States Design Patent**  
**Zhang**

(10) **Patent No.:** **US D791,284 S**

(45) **Date of Patent:** **\*\* Jul. 4, 2017**

(54) **TUB FILLER**

(71) Applicant: **Spectrum Brands, Inc.**, Middleton, WI (US)

(72) Inventor: **Tony Zhang**, Xiamen (CN)

(73) Assignee: **Spectrum Brands, Inc.**, Middleton, WI (US)

(\*\*) Term: **15 Years**

(21) Appl. No.: **29/559,872**

(22) Filed: **Mar. 31, 2016**

(51) **LOC (10) Cl.** ..... **23-01**

(52) **U.S. Cl.**  
USPC ..... **D23/257**

(58) **Field of Classification Search**  
USPC ..... D23/238-243, 249, 255, 257  
CPC ..... E03C 1/04; E03C 1/0401; E03C 1/0402;  
E03C 1/0404  
See application file for complete search history.

(56) **References Cited**

**U.S. PATENT DOCUMENTS**

D461,232 S \* 8/2002 Mullenmeister ..... D23/255  
D463,014 S \* 9/2002 Lord ..... D23/255

D477,059 S \* 7/2003 Schonherr ..... D23/255  
D531,279 S \* 10/2006 Blomstrom ..... D23/255  
D533,258 S \* 12/2006 Berberet ..... D23/255

\* cited by examiner

*Primary Examiner* — Robert Delehanty

(74) *Attorney, Agent, or Firm* — Banner & Witcoff, Ltd.

(57) **CLAIM**

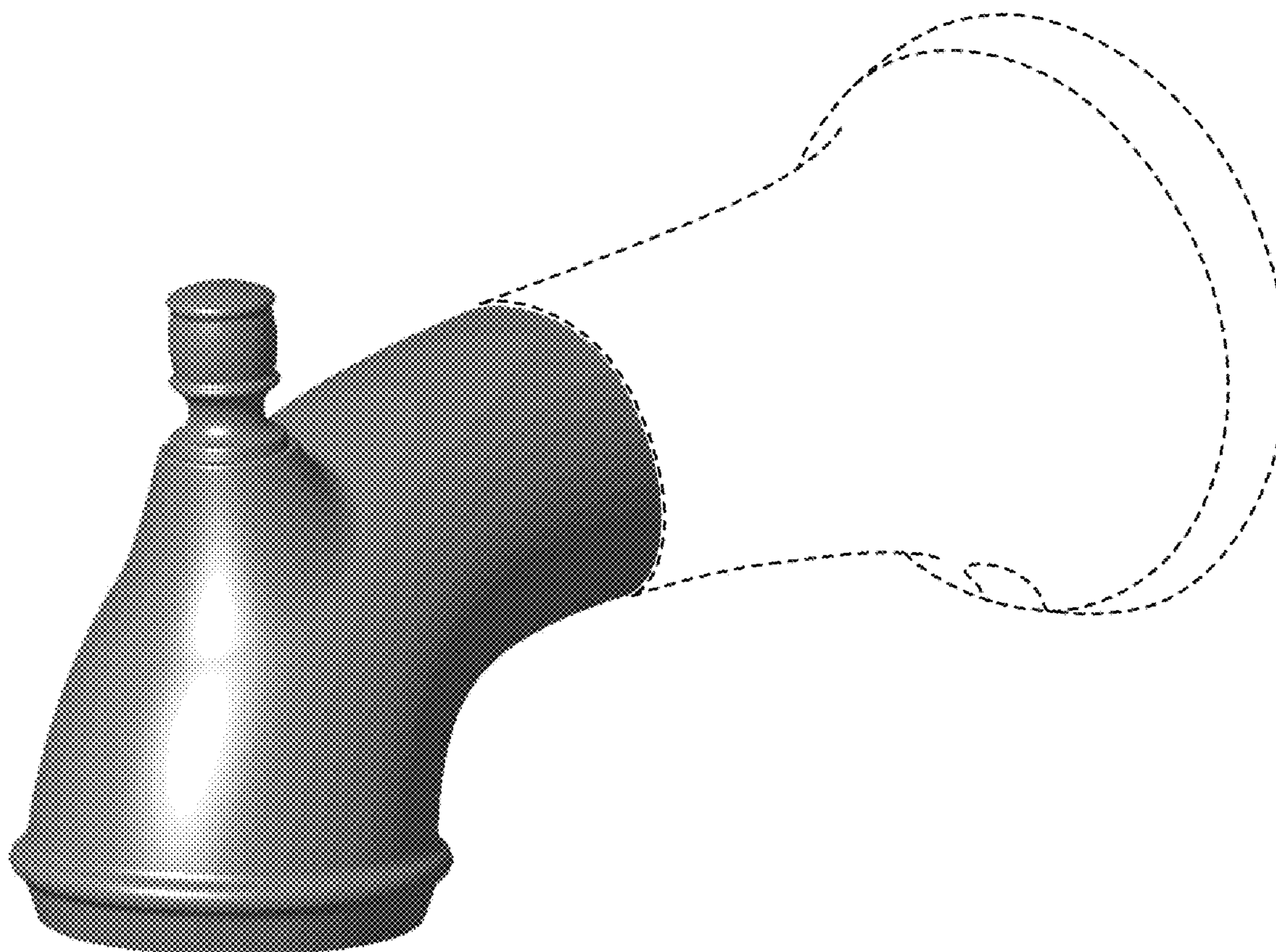
The ornamental design for a tub filler, as shown and described.

**DESCRIPTION**

FIG. 1 is a front perspective view of a tub filler showing my new design;  
FIG. 2 is a front view thereof;  
FIG. 3 is a rear view thereof;  
FIG. 4 is a right side view thereof;  
FIG. 5 is a left side view thereof;  
FIG. 6 is a top view thereof; and,  
FIG. 7 is a bottom view thereof.

The broken line adjacent the image near the midpoint of the neck forms an unclaimed boundary of the design. The broken line showing of the remainder of the tub filler is for environmental purposes only and forms no part of the claimed design.

**1 Claim, 5 Drawing Sheets**



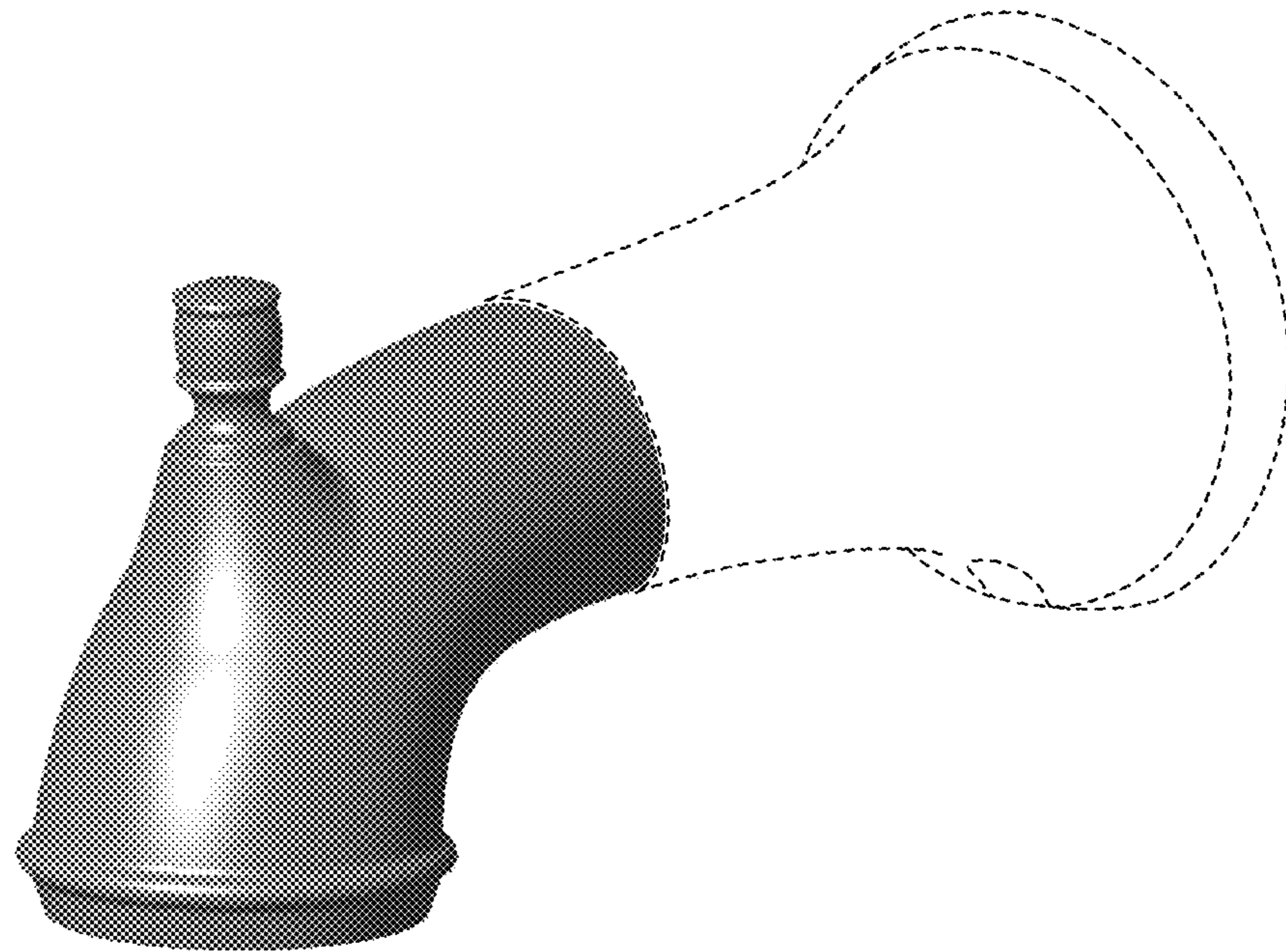


FIG. 1

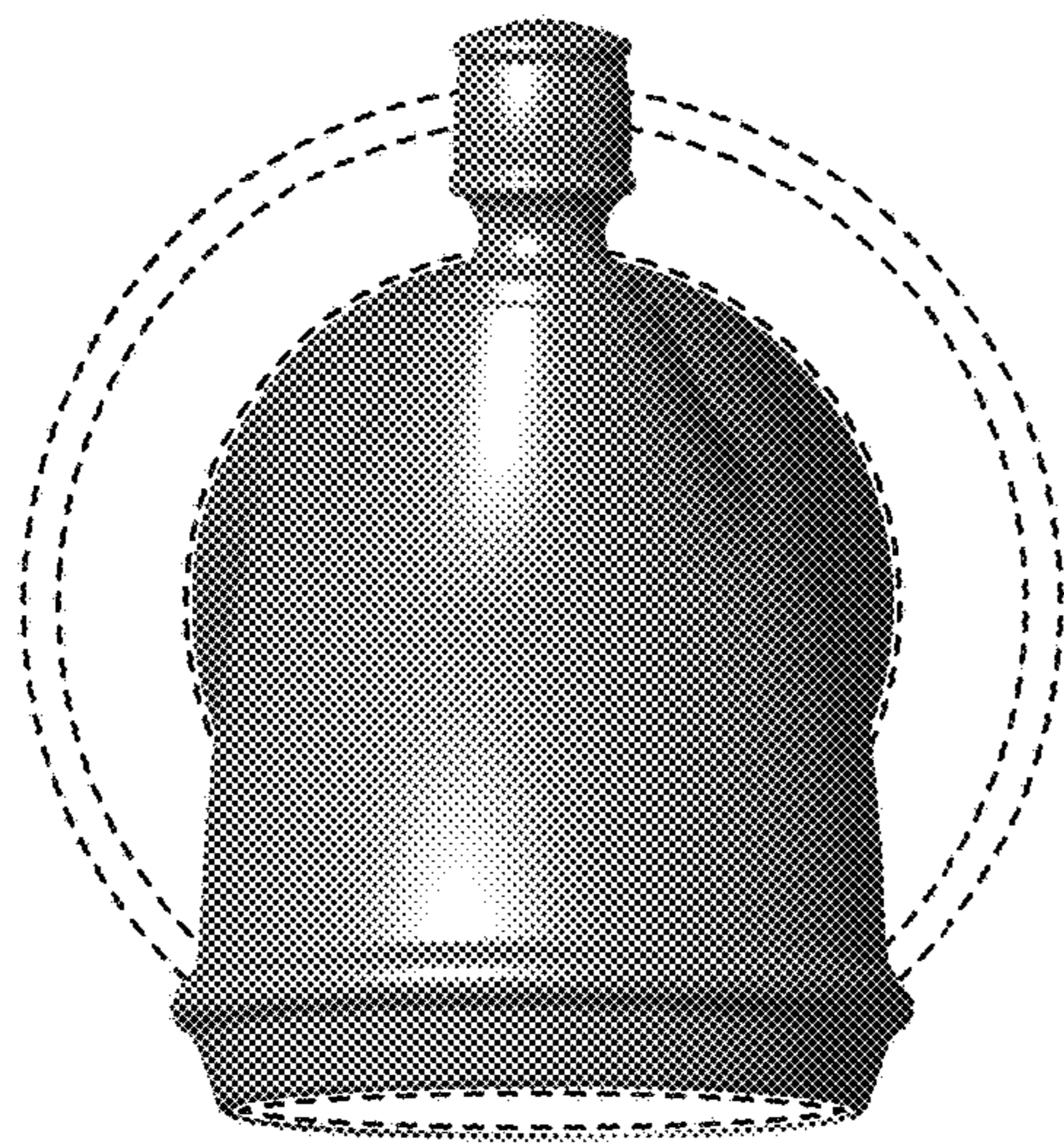


FIG. 2

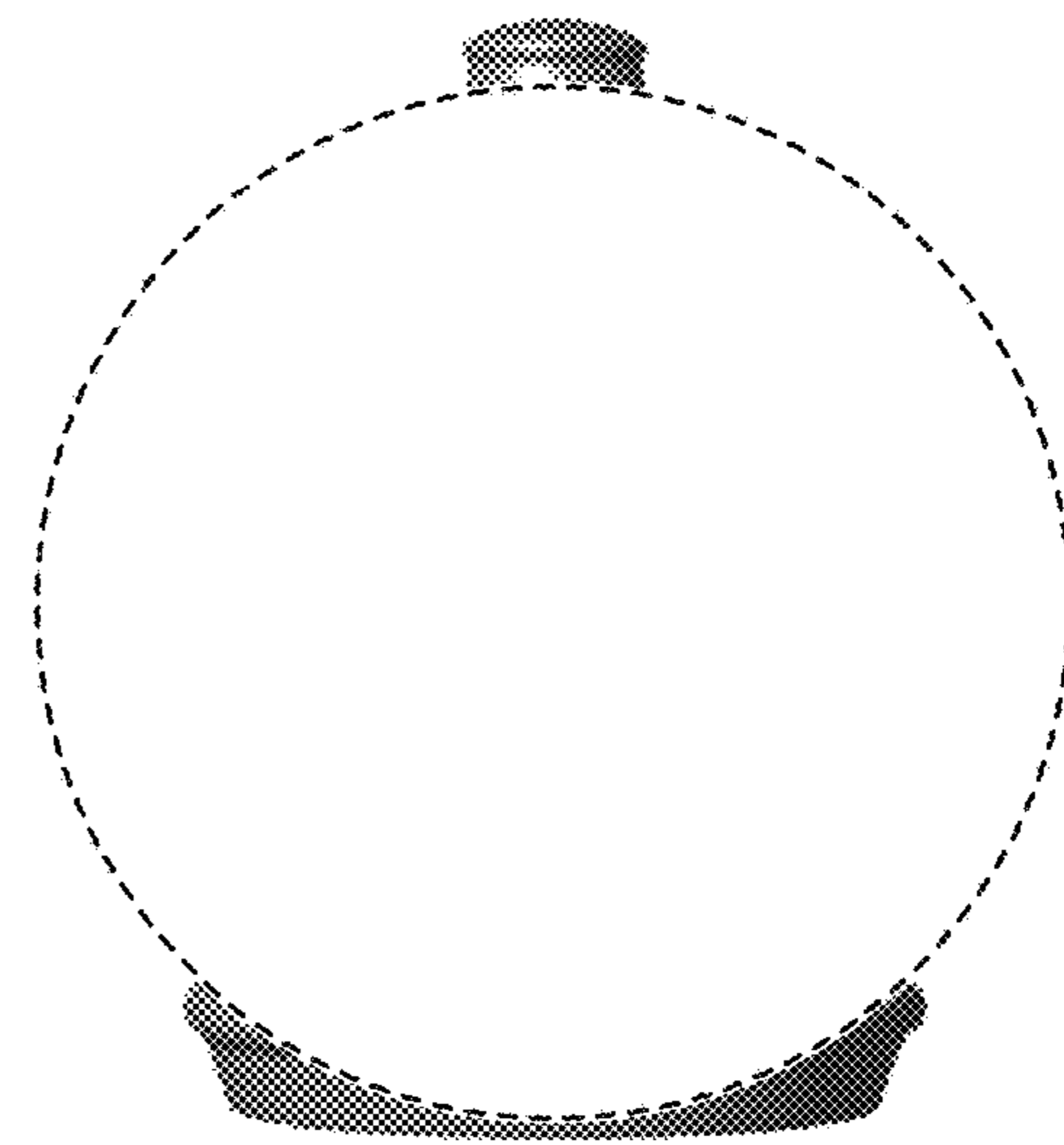


FIG. 3

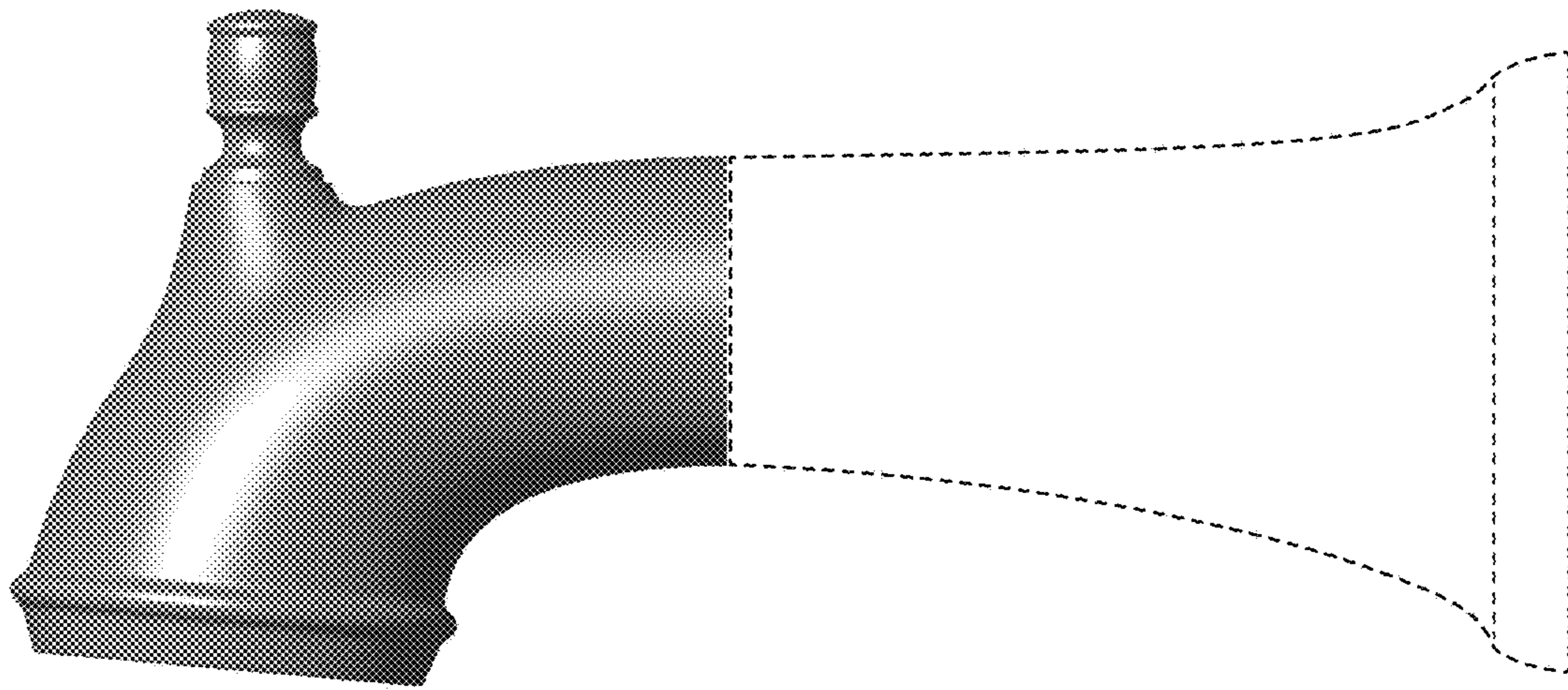


FIG. 4

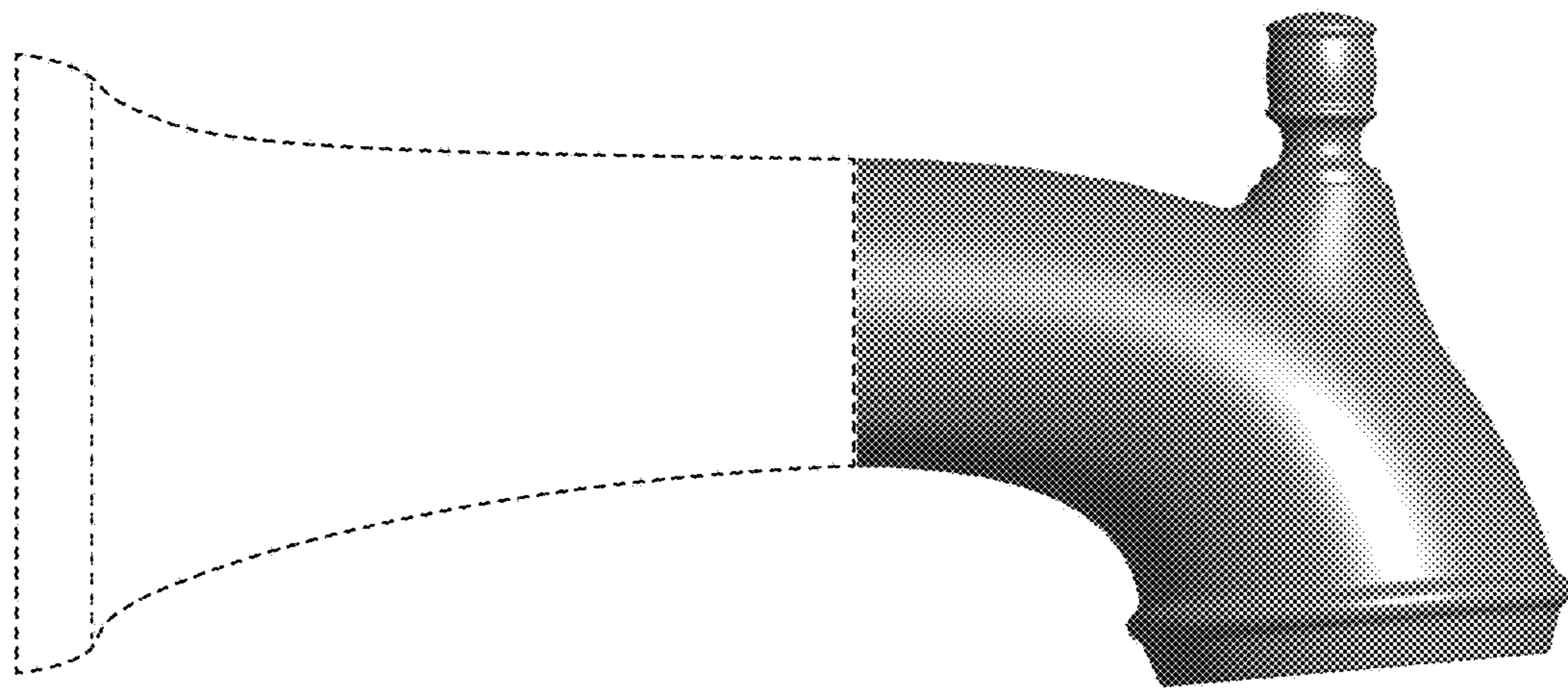


FIG. 5

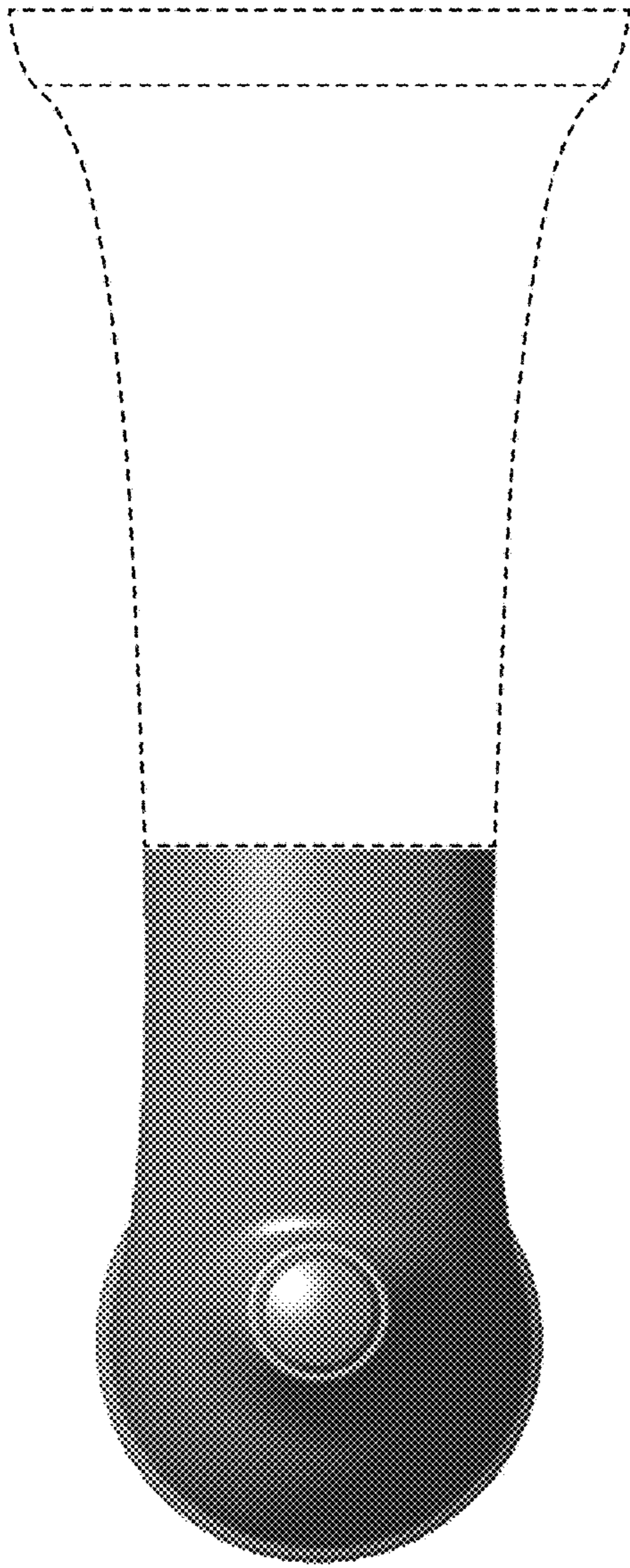


FIG. 6

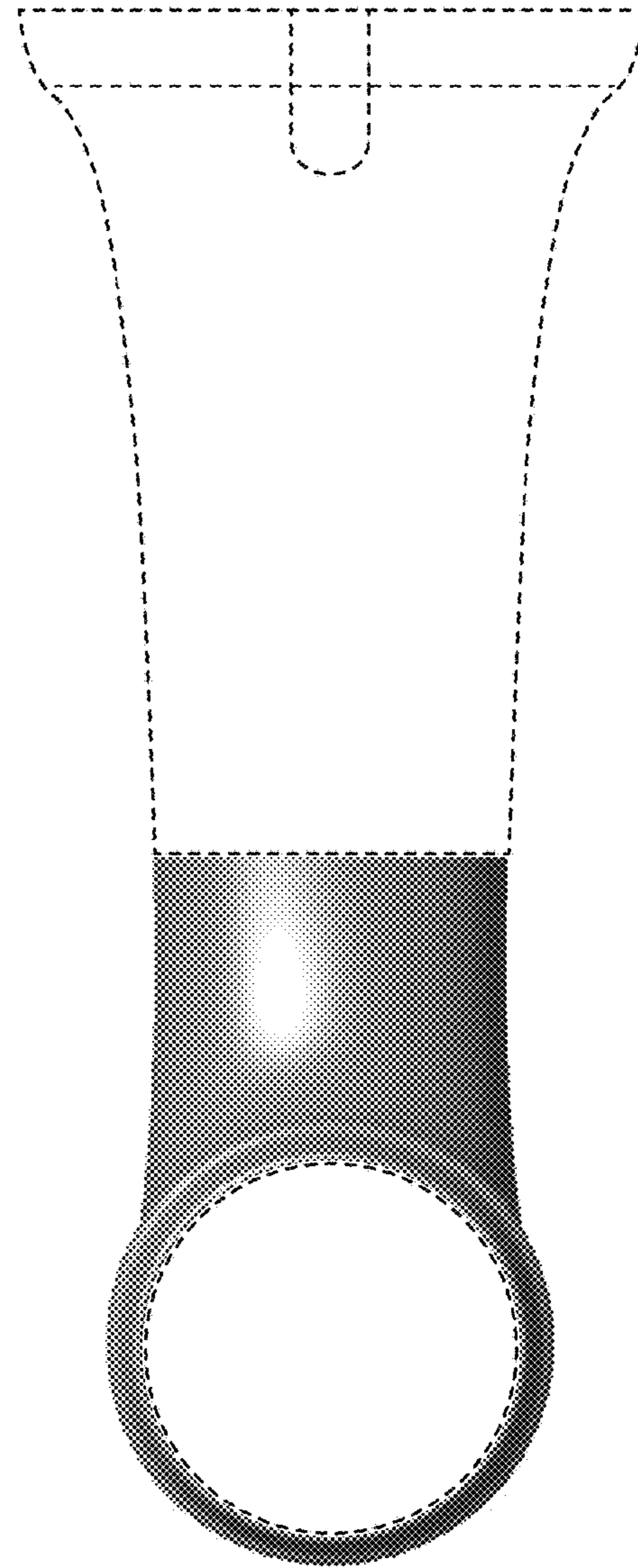


FIG. 7