



US00D791282S

(12) **United States Design Patent**
Bahler

(10) **Patent No.:** **US D791,282 S**
(45) **Date of Patent:** **** Jul. 4, 2017**

- (54) **TUB SPOUT**
- (71) Applicant: **DELTA FAUCET COMPANY**,
Indianapolis, IN (US)
- (72) Inventor: **Jordan Renee Bahler**, Frankfort, IN
(US)
- (73) Assignee: **DELTA FAUCET COMPANY**,
Indianapolis, IN (US)
- (**) Term: **15 Years**
- (21) Appl. No.: **29/550,802**
- (22) Filed: **Jan. 7, 2016**
- (51) **LOC (10) Cl.** **23-01**
- (52) **U.S. Cl.**
USPC **D23/255**
- (58) **Field of Classification Search**
USPC D23/238-243, 249, 255, 257
CPC E03C 1/04; E03C 1/0401; E03C 1/0402;
E03C 1/0404
See application file for complete search history.

- D530,793 S * 10/2006 Sutopo D23/255
- D546,424 S * 7/2007 Kohler, Jr. D23/255
- D573,695 S * 7/2008 Rexach D23/255

* cited by examiner

Primary Examiner — Robert Delehanty
(74) *Attorney, Agent, or Firm* — Edgar A. Zarins; Nirav
D. Parikh

(57) **CLAIM**

The ornamental design for a tub spout, as shown and described.

DESCRIPTION

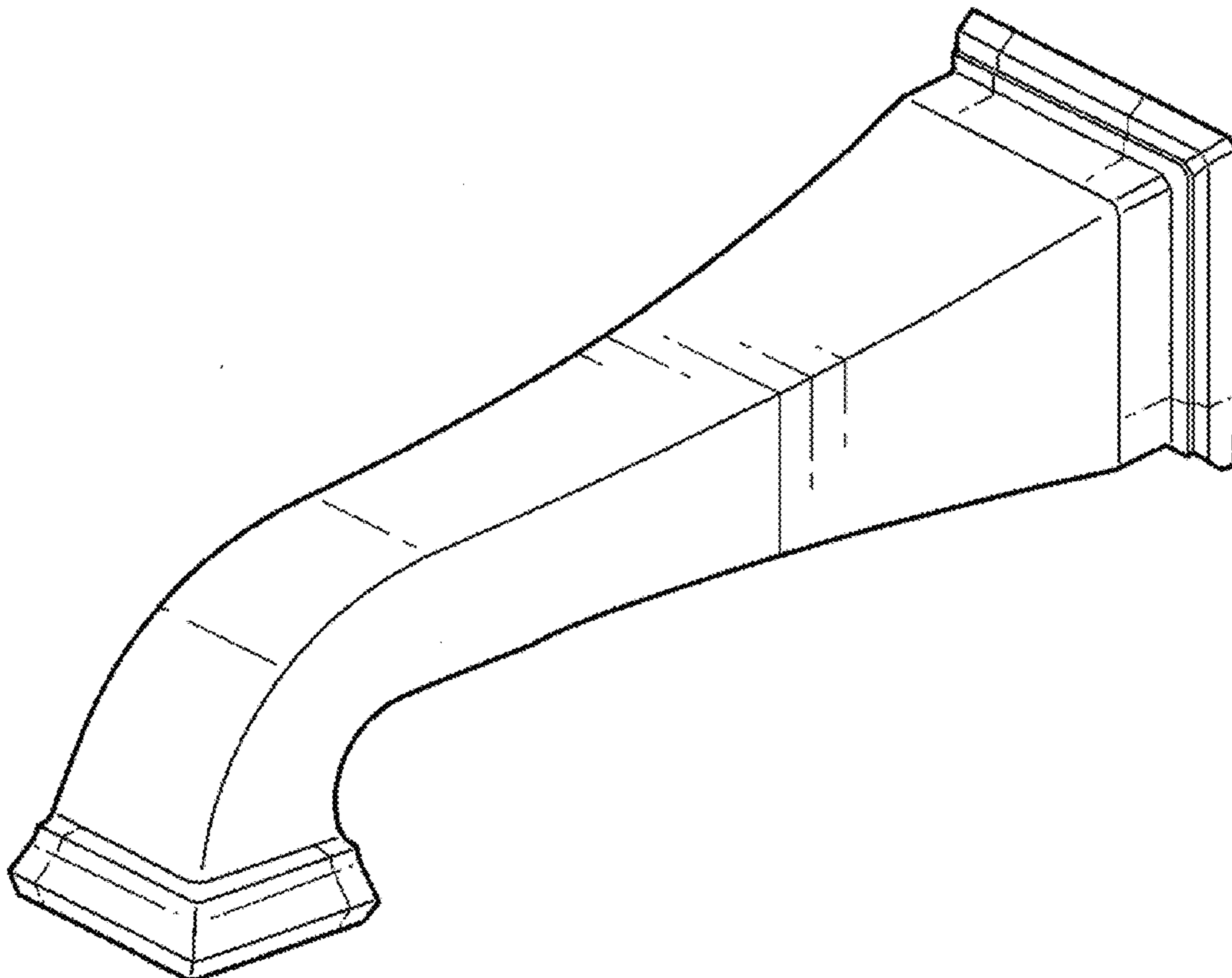
FIG. 1 is a perspective view of a tub spout showing my new design;
FIG. 2 is a front end view thereof;
FIG. 3 is a rear view thereof;
FIG. 4 is a top plan view thereof;
FIG. 5 is a left side view thereof, the opposite side being a mirror image of the side shown; and,
FIG. 6 is a bottom view thereof.

(56) **References Cited**

U.S. PATENT DOCUMENTS

- D529,589 S * 10/2006 Veltz D23/255

1 Claim, 2 Drawing Sheets



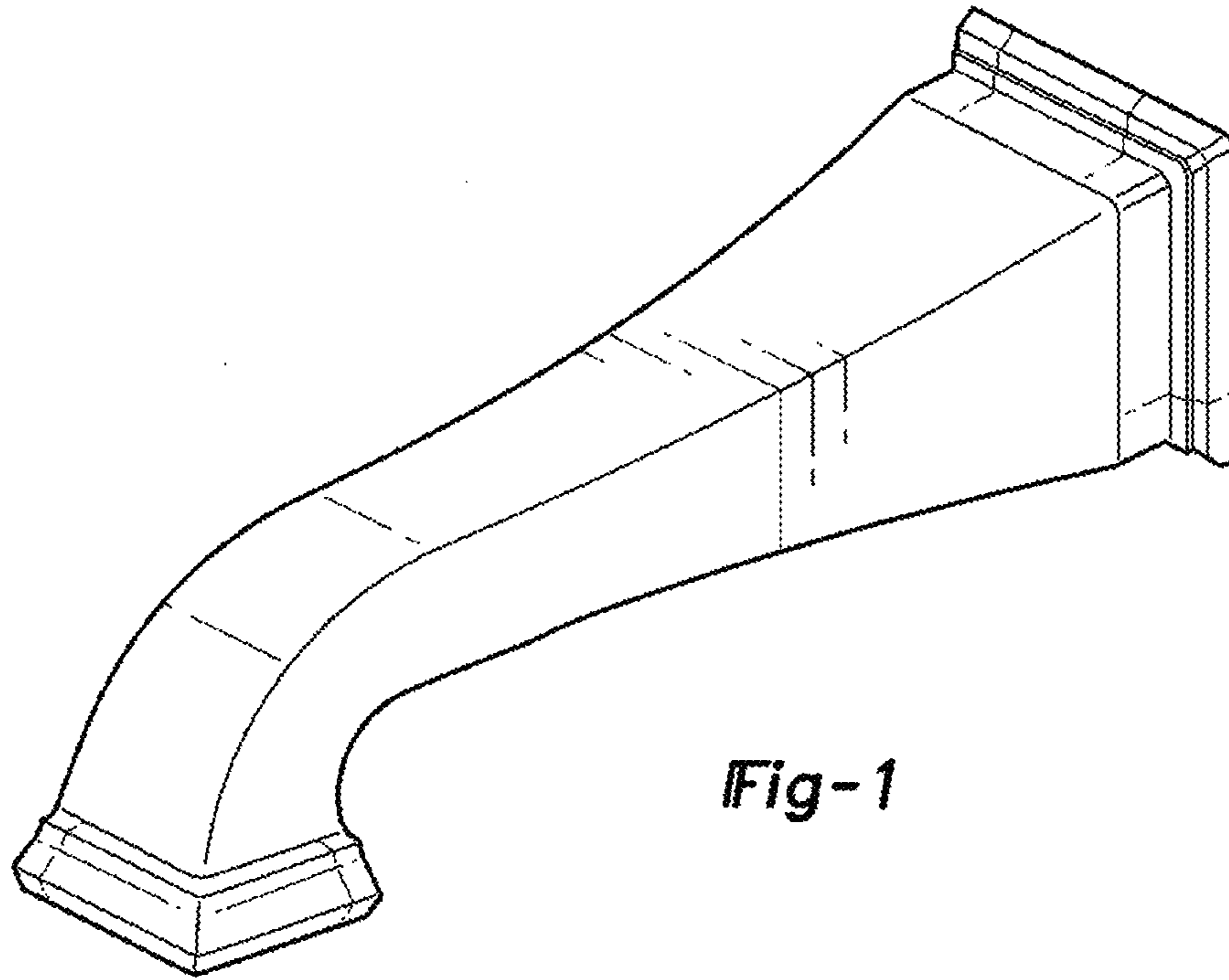


Fig-1

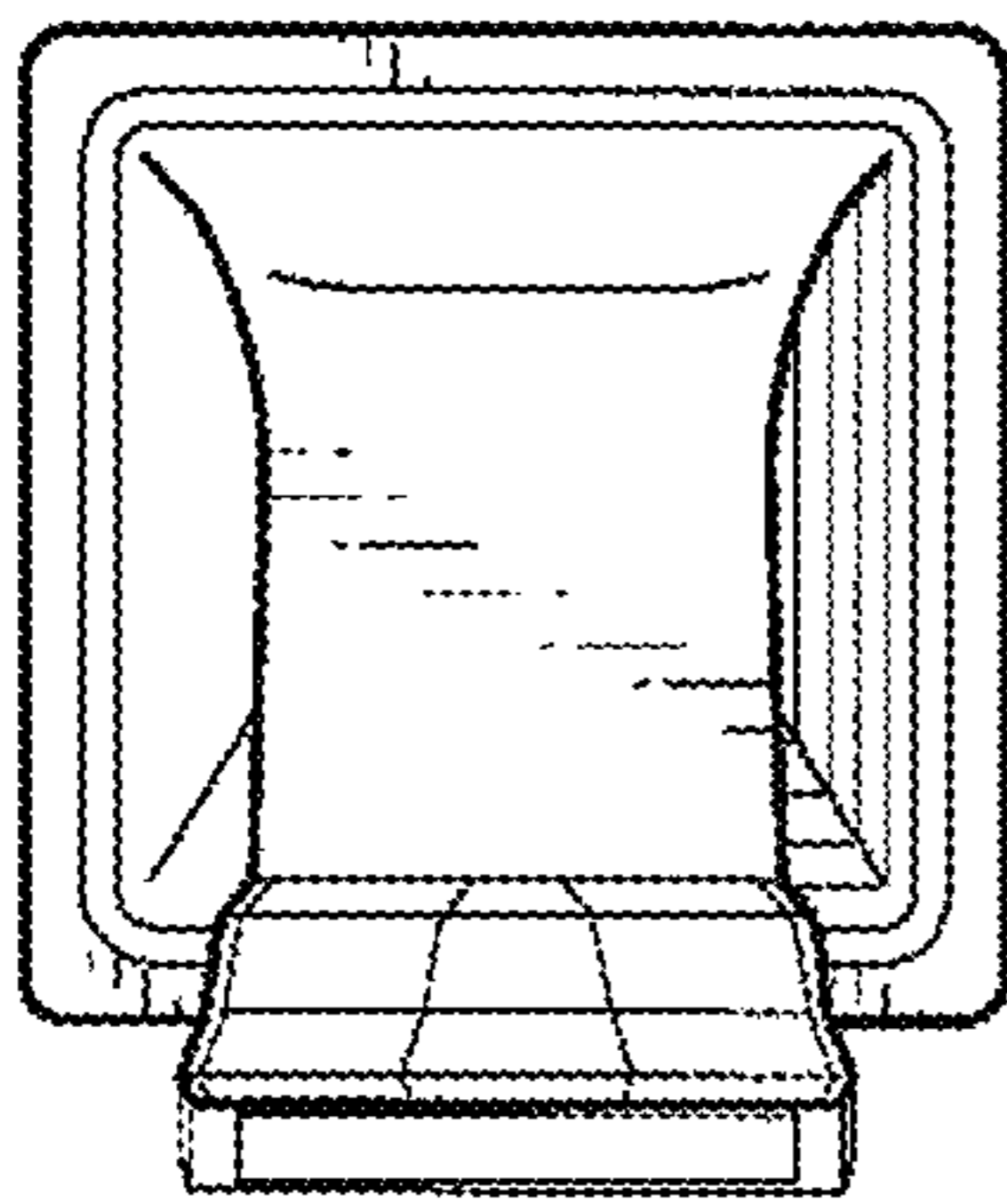


Fig-2

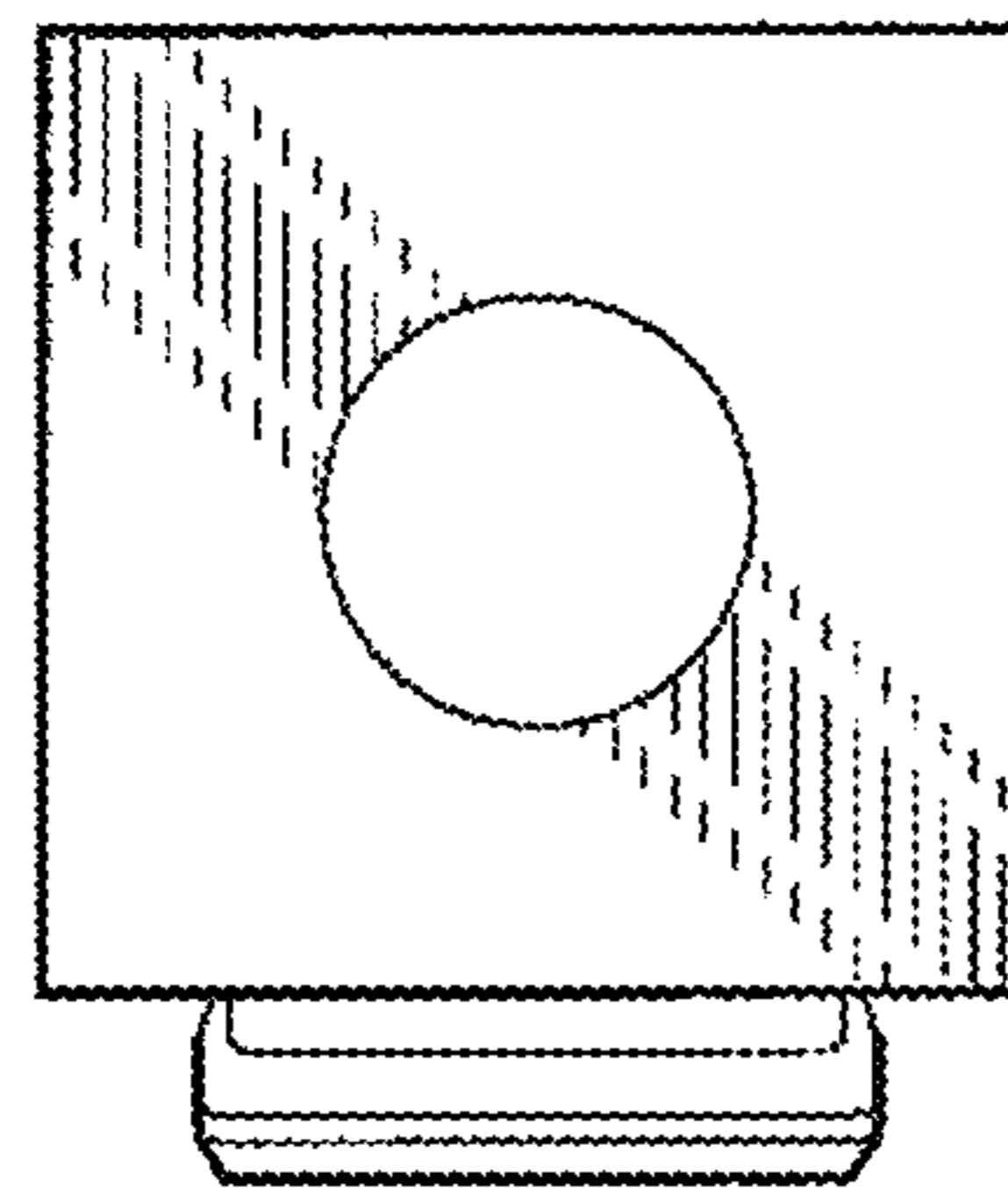


Fig-3

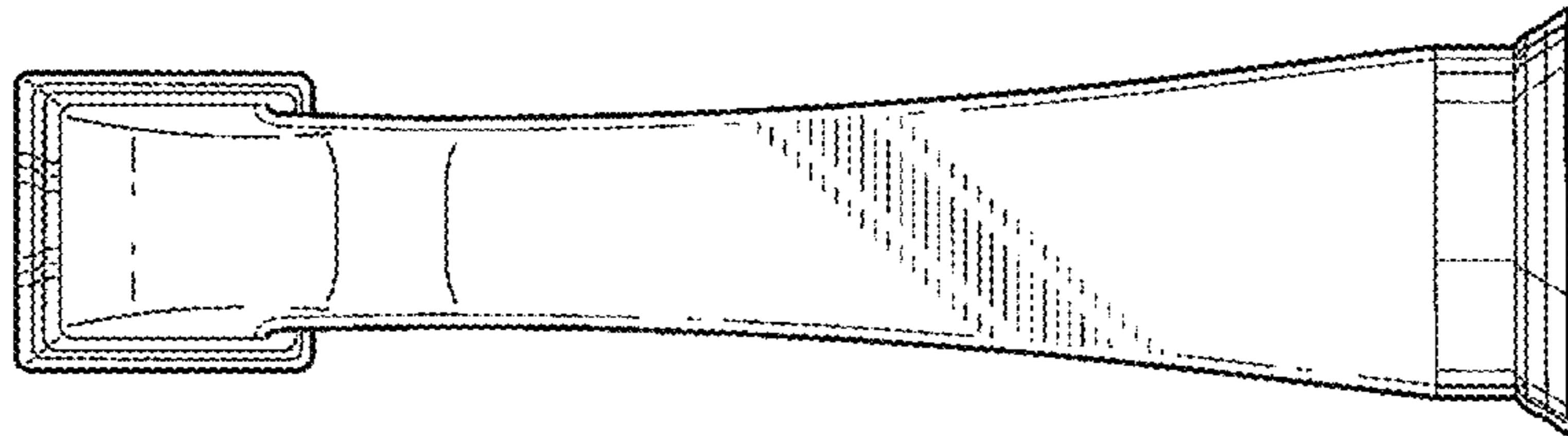


Fig-4

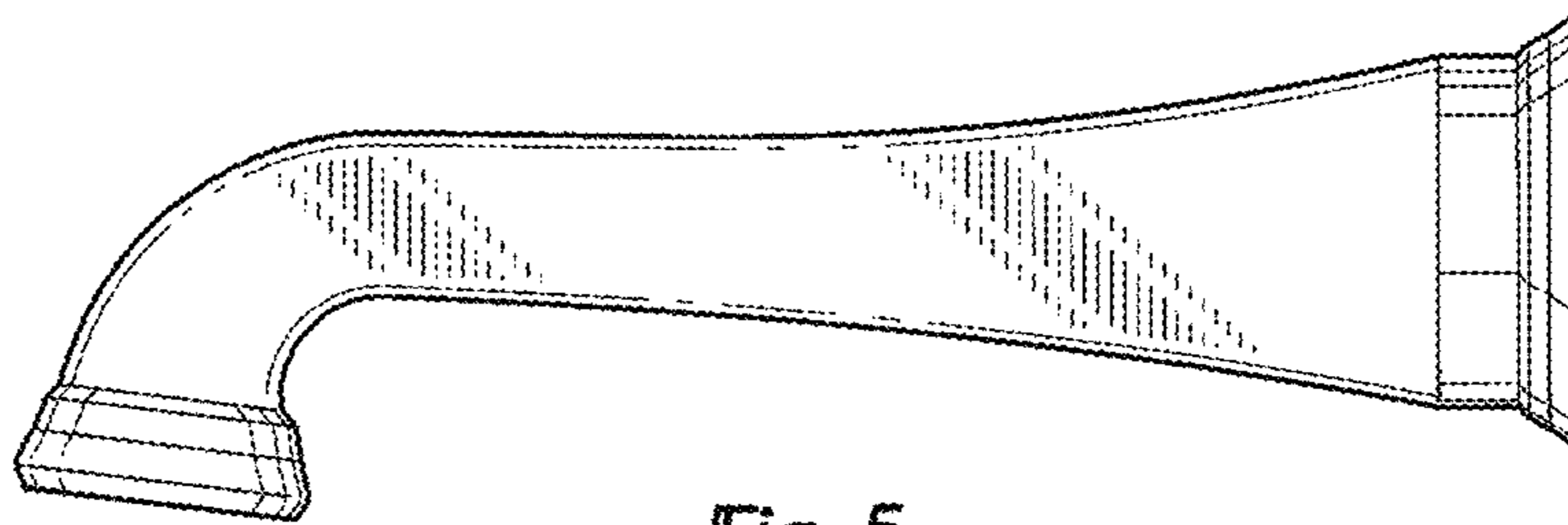


Fig-5

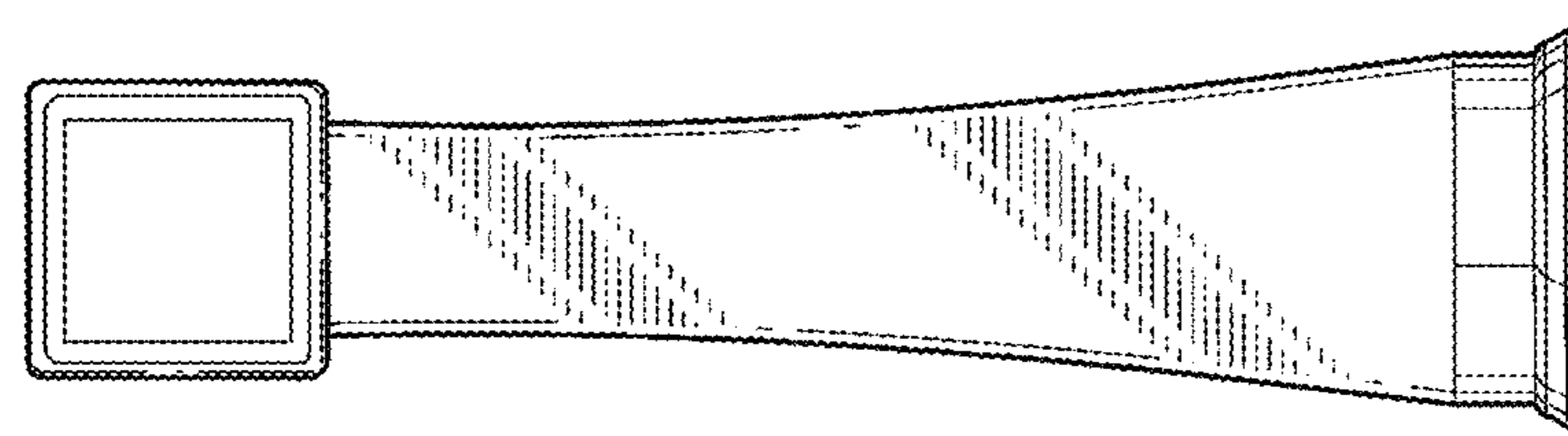


Fig-6