



US00D791281S

(12) **United States Design Patent**  
**Schaubach et al.**

(10) **Patent No.:** **US D791,281 S**  
(45) **Date of Patent:** **\*\* Jul. 4, 2017**

(54) **FAUCET**

(71) Applicant: **Spectrum Brands, Inc.**, Middleton, WI (US)

(72) Inventors: **Lauren Schaubach**, Costa Mesa, CA (US); **Selia Ke**, Fujian (CN)

(73) Assignee: **Spectrum Brands, Inc.**, Middleton, WI (US)

(\*\*) Term: **15 Years**

(21) Appl. No.: **29/557,629**

(22) Filed: **Mar. 10, 2016**

(51) **LOC (10) Cl.** ..... **23-01**

(52) **U.S. Cl.**  
USPC ..... **D23/242**

(58) **Field of Classification Search**  
USPC ..... D23/238–243, 249–250, 252, 254, 255, D23/257  
CPC ..... E03C 1/04; E03C 1/0401; E03C 1/0402; E03C 1/0404  
See application file for complete search history.

(56) **References Cited**

**U.S. PATENT DOCUMENTS**

D532,085 S 11/2006 Svendsen et al.  
D576,710 S \* 9/2008 Fritz ..... D23/238  
D656,587 S 3/2012 Ko

D679,367 S 4/2013 Kwok  
D680,193 S 4/2013 Kwok  
D680,195 S 4/2013 Lord  
D680,622 S 4/2013 Berger  
D680,626 S 4/2013 Kwok  
D682,992 S 5/2013 Obara et al.  
D683,432 S \* 5/2013 Berger ..... D23/242  
D685,060 S 6/2013 Yu  
D687,523 S 8/2013 Garland  
D718,427 S 11/2014 Fritz  
D773,615 S \* 12/2016 Potter ..... D23/242

\* cited by examiner

*Primary Examiner* — Robert Delehanty

(74) *Attorney, Agent, or Firm* — Banner & Witcoff, Ltd.

(57) **CLAIM**

The ornamental design for a faucet, as shown and described.

**DESCRIPTION**

FIG. 1 is a front perspective view of a faucet showing our new design;

FIG. 2 is a front view thereof;

FIG. 3 is a rear view thereof;

FIG. 4 is a top view thereof;

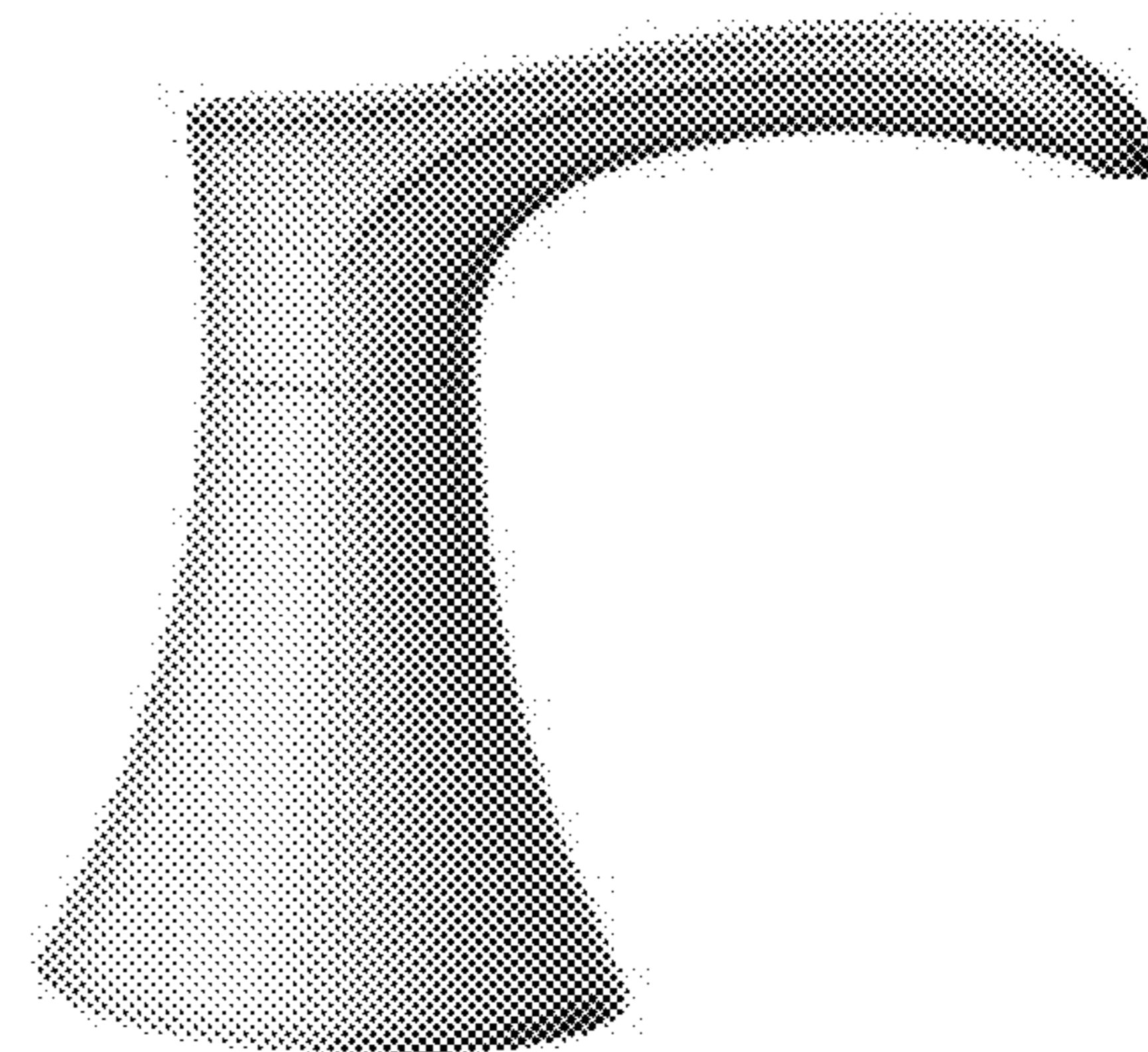
FIG. 5 is a bottom view thereof;

FIG. 6 is a right side view thereof; and,

FIG. 7 is a left side view thereof.

The broken line showing of three circular regions and the unshaded regions therewithin in FIG. 5 represents unclaimed areas and forms no part of the claim design.

**1 Claim, 5 Drawing Sheets**



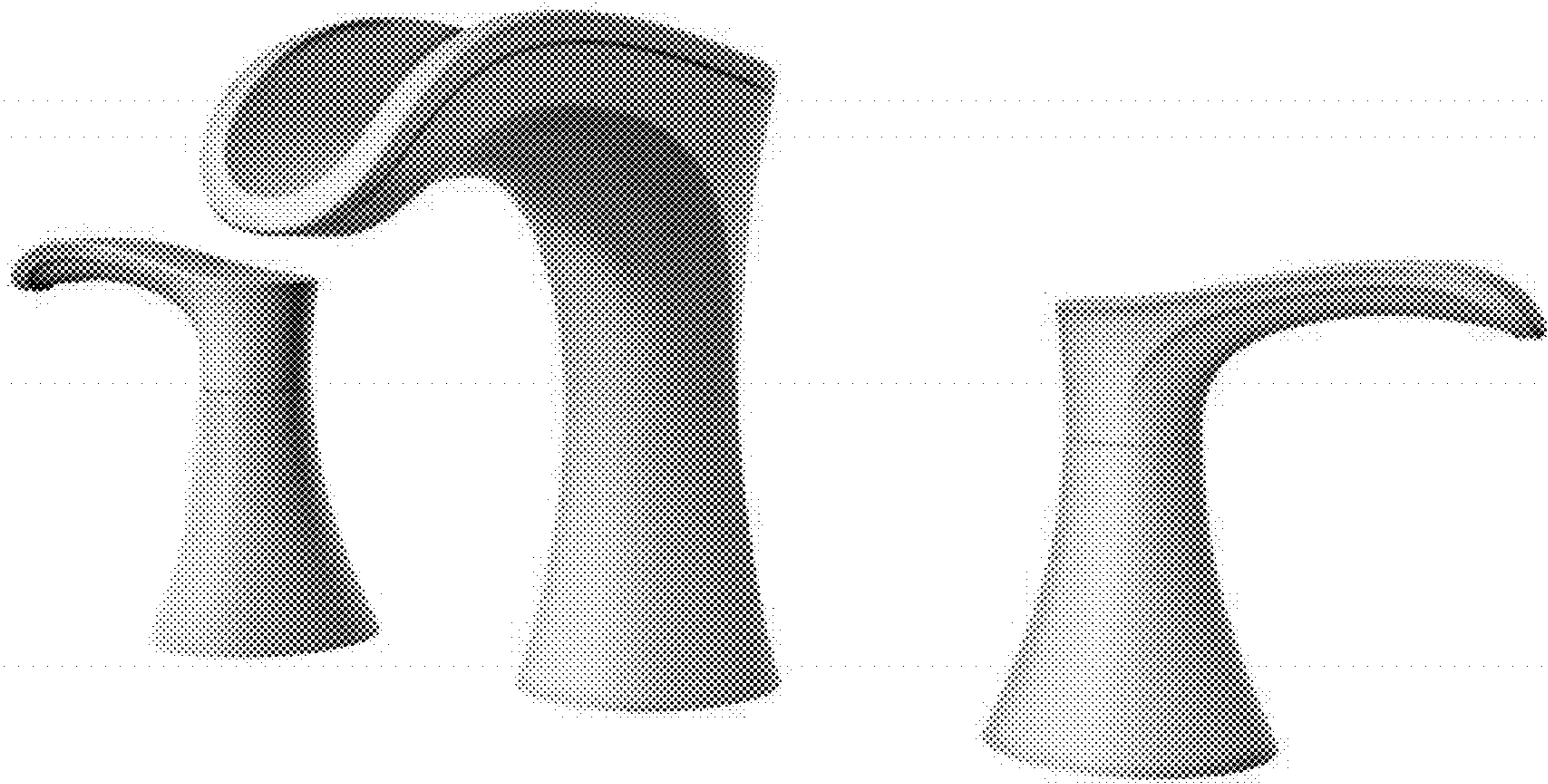


FIG. 1

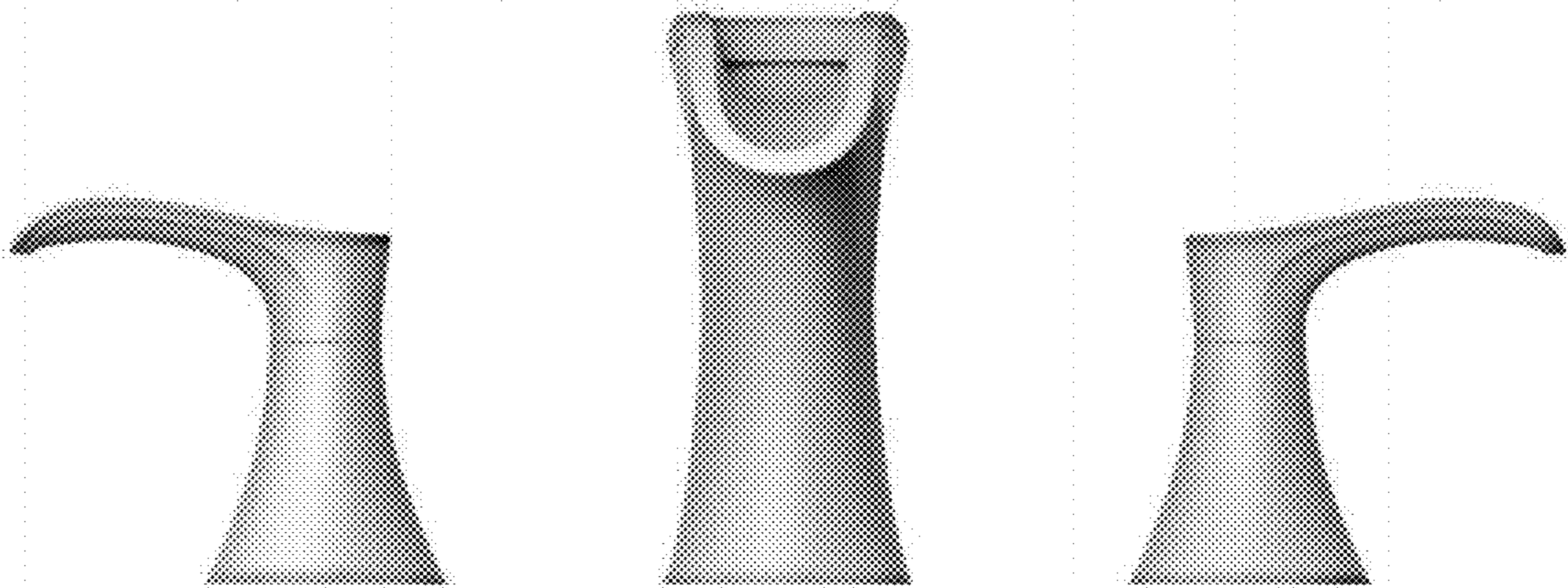


FIG. 2

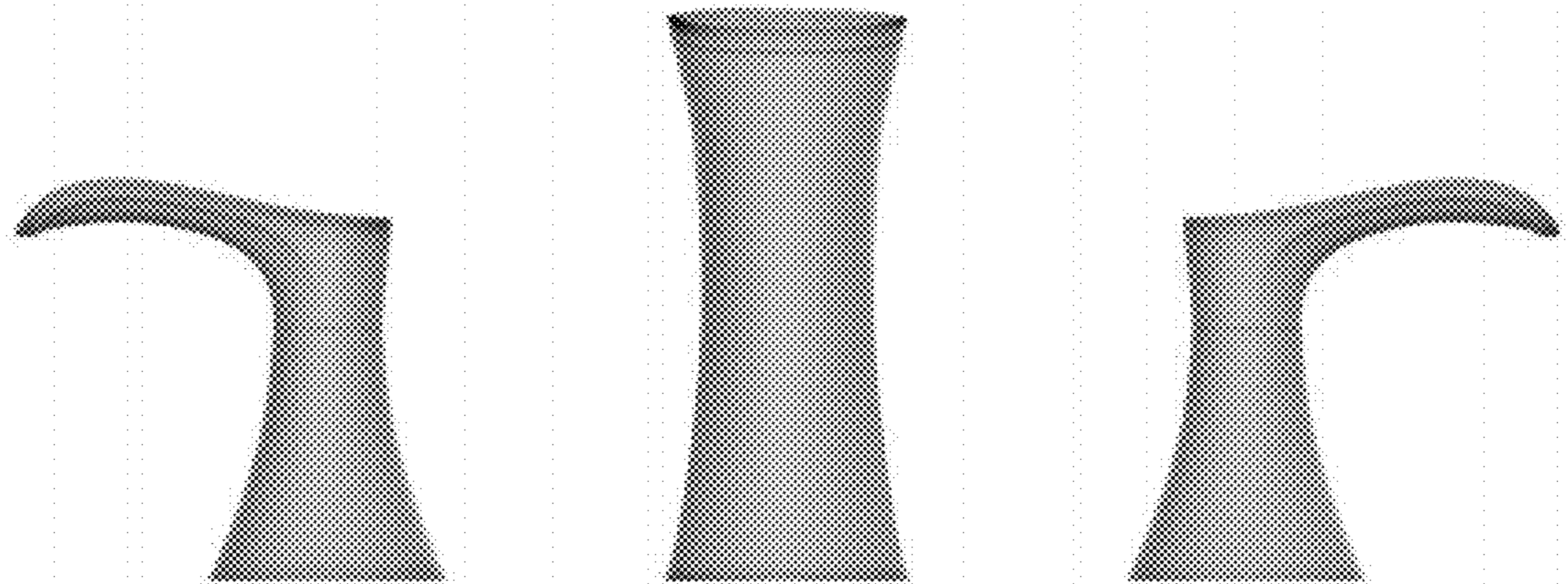


FIG. 3

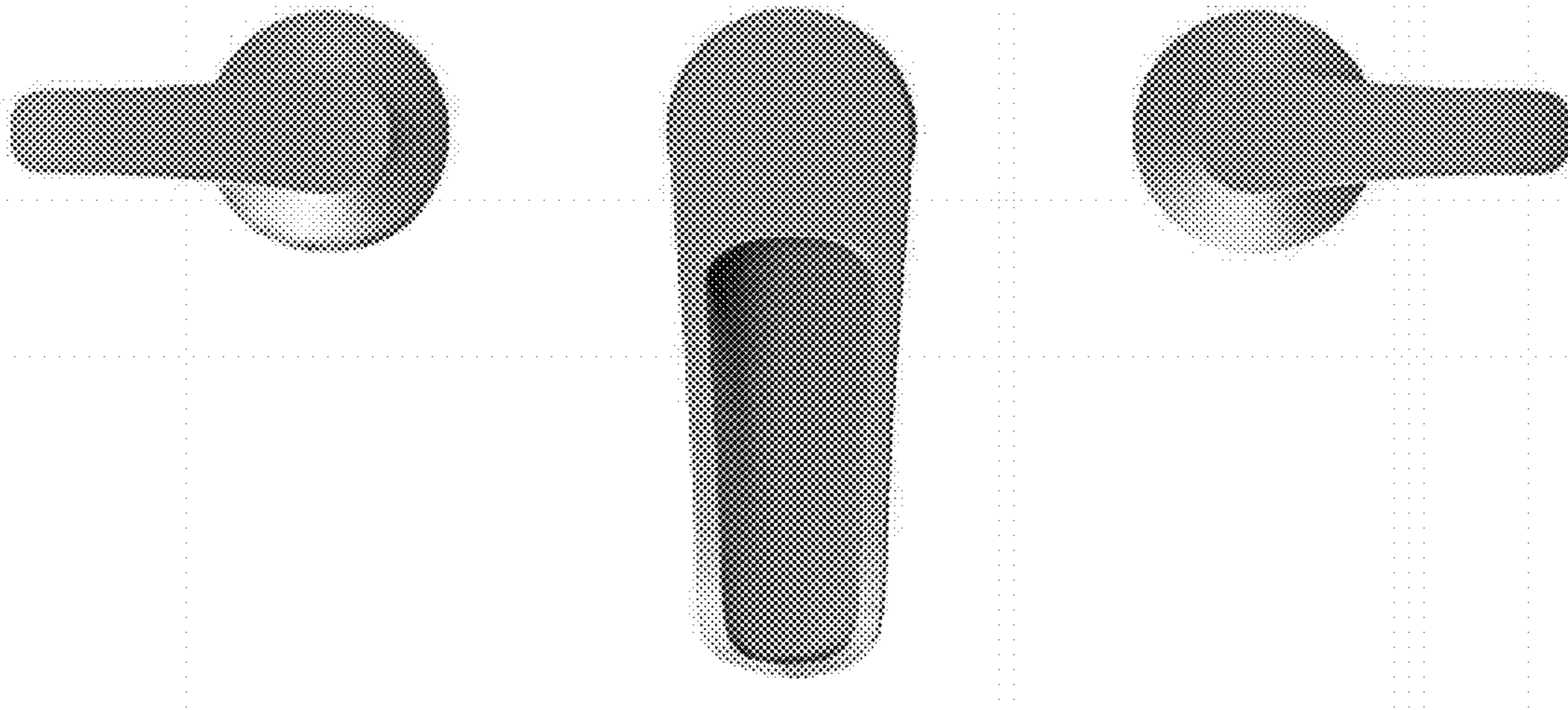


FIG. 4

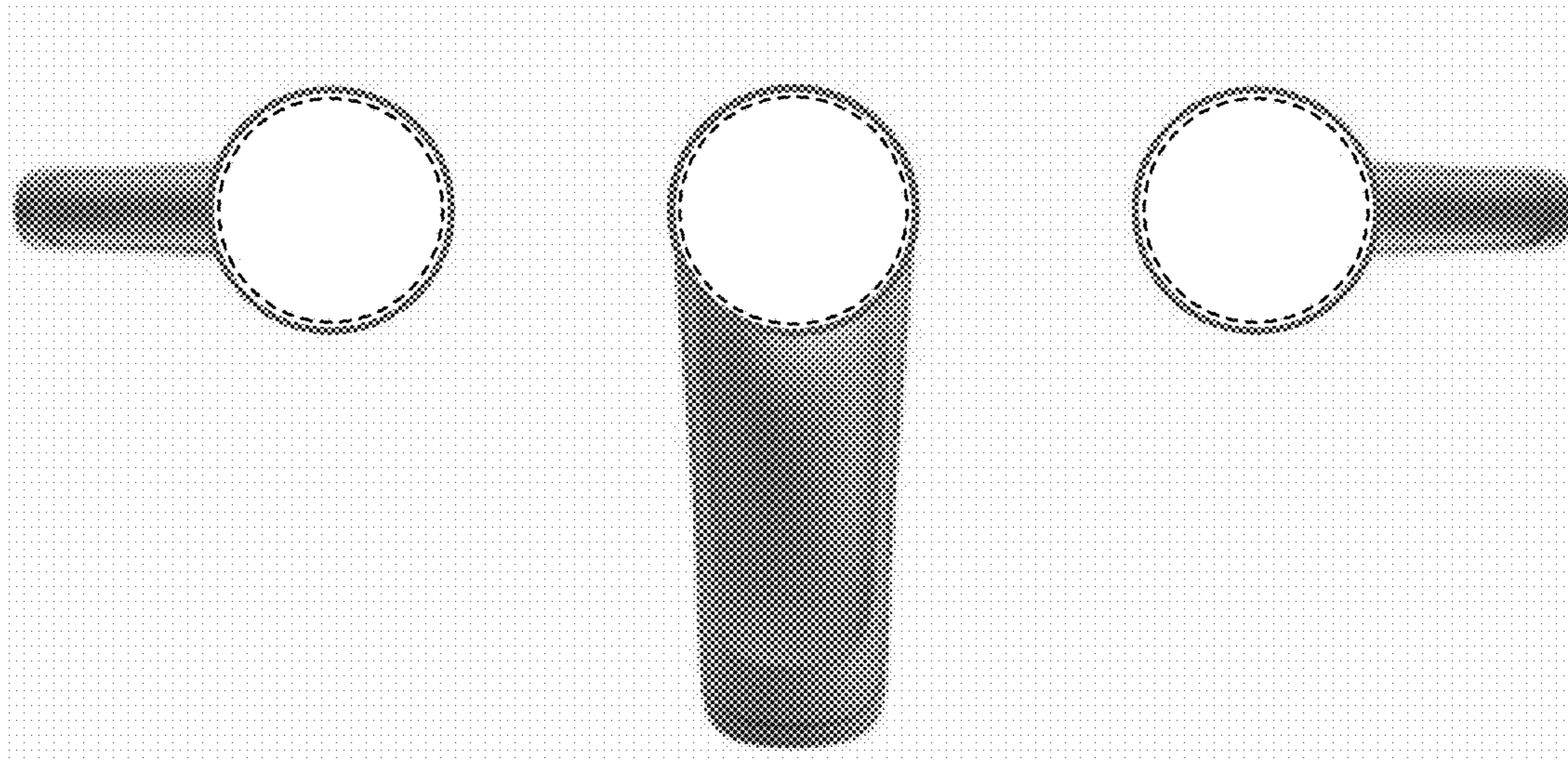


FIG. 5

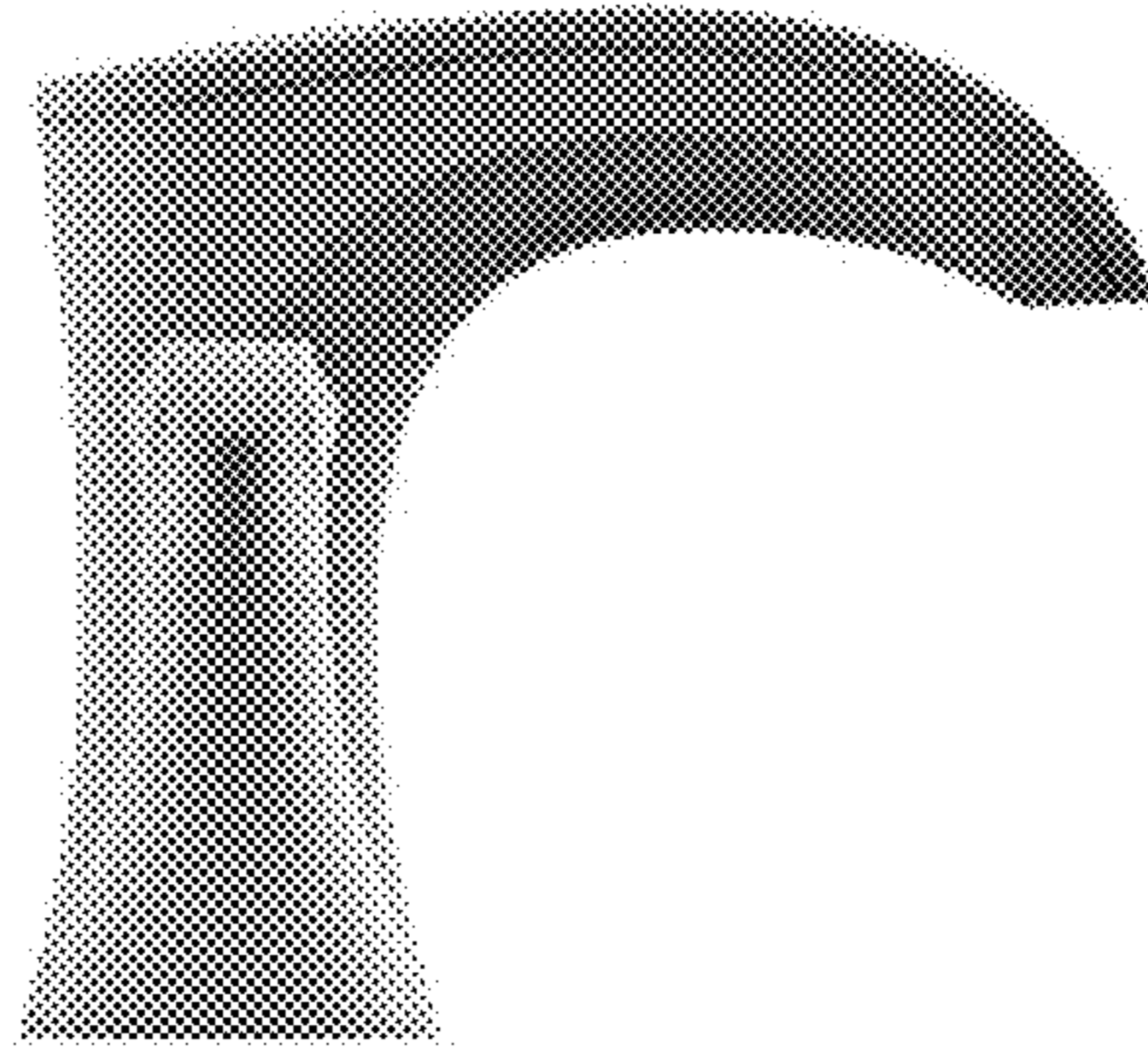


FIG. 6

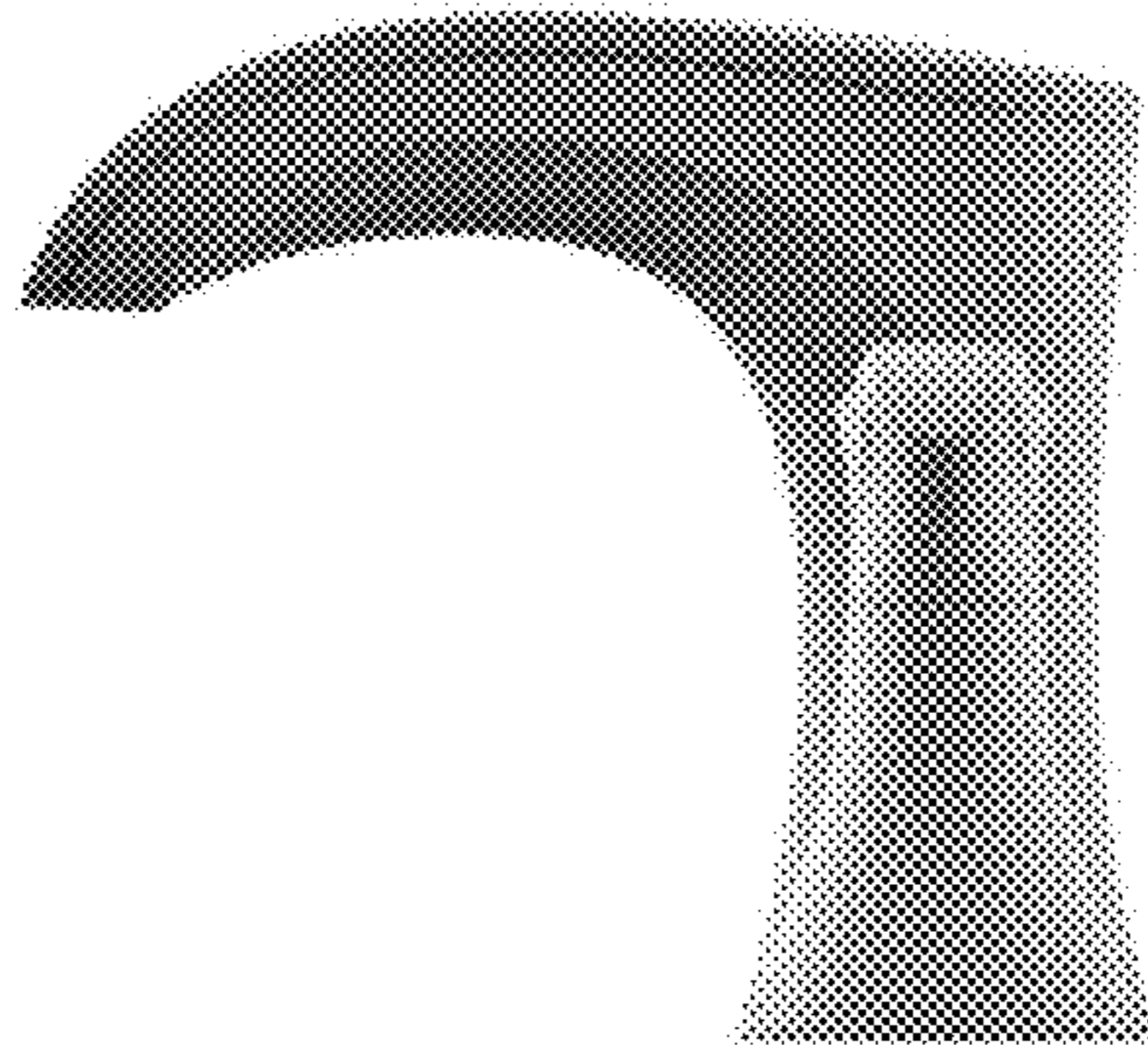


FIG. 7