



US00D791280S

(12) **United States Design Patent**
Fritz

(10) **Patent No.:** **US D791,280 S**

(45) **Date of Patent:** **** Jul. 4, 2017**

(54) **FAUCET**

D651,285 S * 12/2011 Fritz D23/250
D683,429 S * 5/2013 Kwok D23/238
D754,297 S * 4/2016 Garland D23/242

(71) Applicant: **DELTA FAUCET COMPANY,**
Indianapolis, IN (US)

* cited by examiner

(72) Inventor: **Seth Fritz,** Carmel, IN (US)

Primary Examiner — Robert Delehanty

(73) Assignee: **DELTA FAUCET COMPANY,**
Indianapolis, IN (US)

(74) *Attorney, Agent, or Firm* — Edgar A. Zarins; Nirav
D. Parikh

(**) Term: **15 Years**

(21) Appl. No.: **29/555,256**

(57) **CLAIM**

(22) Filed: **Feb. 19, 2016**

The ornamental design for a faucet, as shown and described.

(51) **LOC (10) Cl.** **23-01**

(52) **U.S. Cl.**
USPC **D23/242**

DESCRIPTION

(58) **Field of Classification Search**
USPC D23/238–243, 249–250, 252, 254–255,
D23/257
CPC . E03C 1/00; E03C 1/0404; E03C 1/02; E03C
1/021; E03C 1/0401; E03C 1/04; E03C
1/0402

FIG. 1 is a perspective view of a faucet showing my new design;
FIG. 2 is a front elevational view thereof;
FIG. 3 is a right side view thereof, the opposite side being a mirror image of the side shown;
FIG. 4 is a rear view thereof;
FIG. 5 is a top plan view thereof; and,
FIG. 6 is a bottom view thereof.

See application file for complete search history.

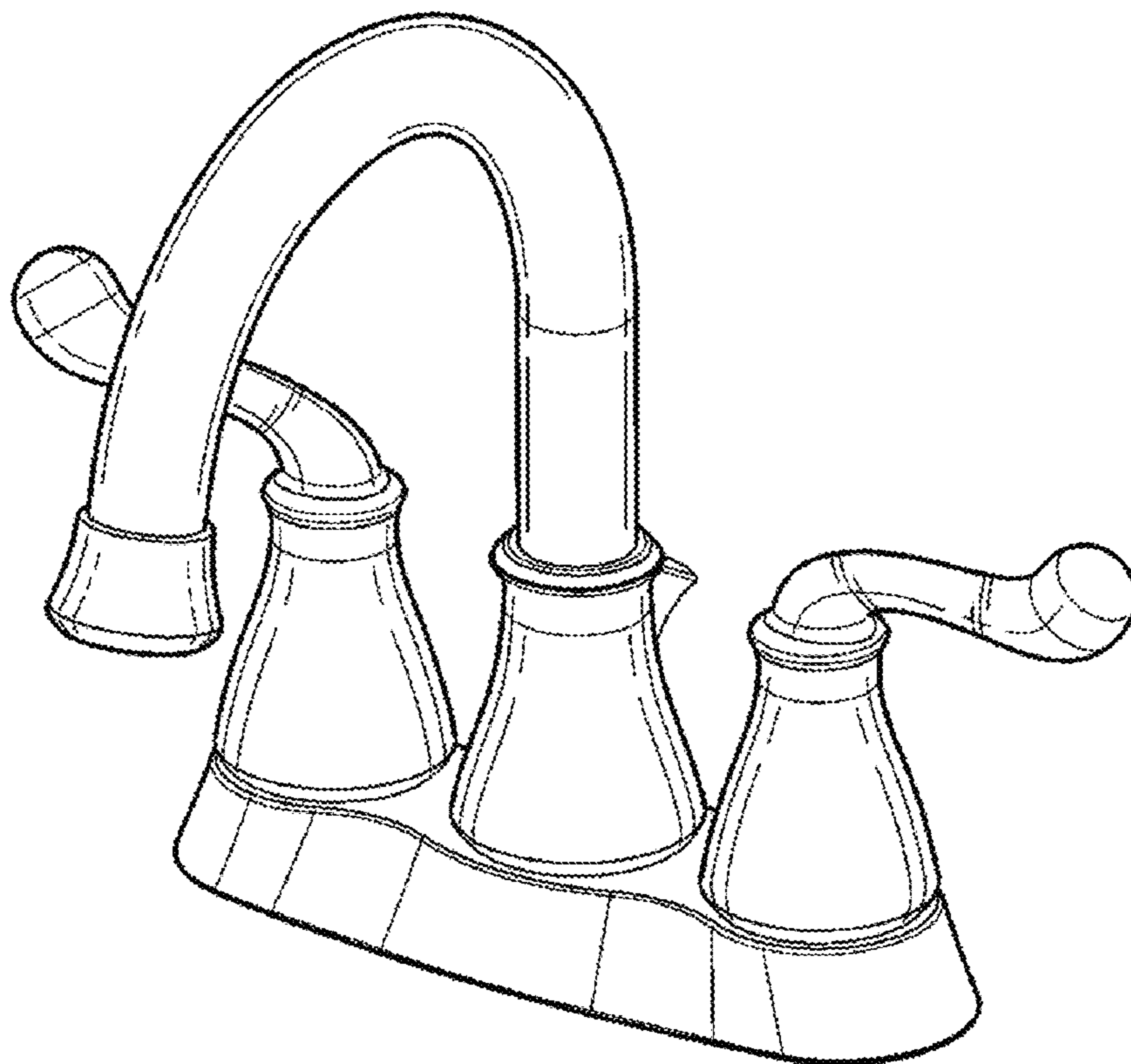
The broken lines shown in FIG. 6 of the drawings are included for the purpose of illustrating a portion of the faucet that form no part of the claimed design.

(56) **References Cited**

U.S. PATENT DOCUMENTS

D357,305 S * 4/1995 Fabian D23/252
D523,531 S * 6/2006 Fritz D23/252

1 Claim, 3 Drawing Sheets



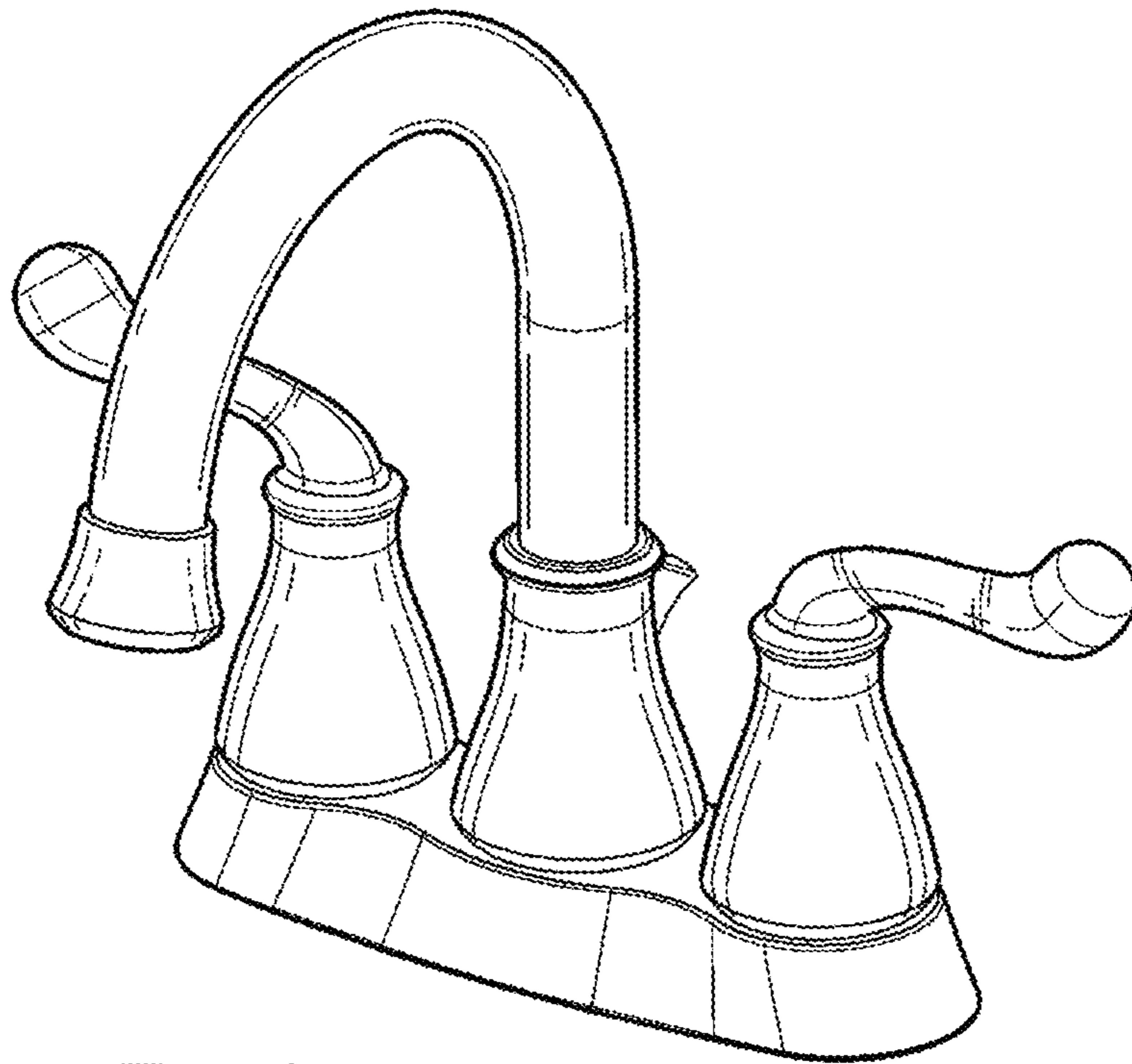


Fig-1

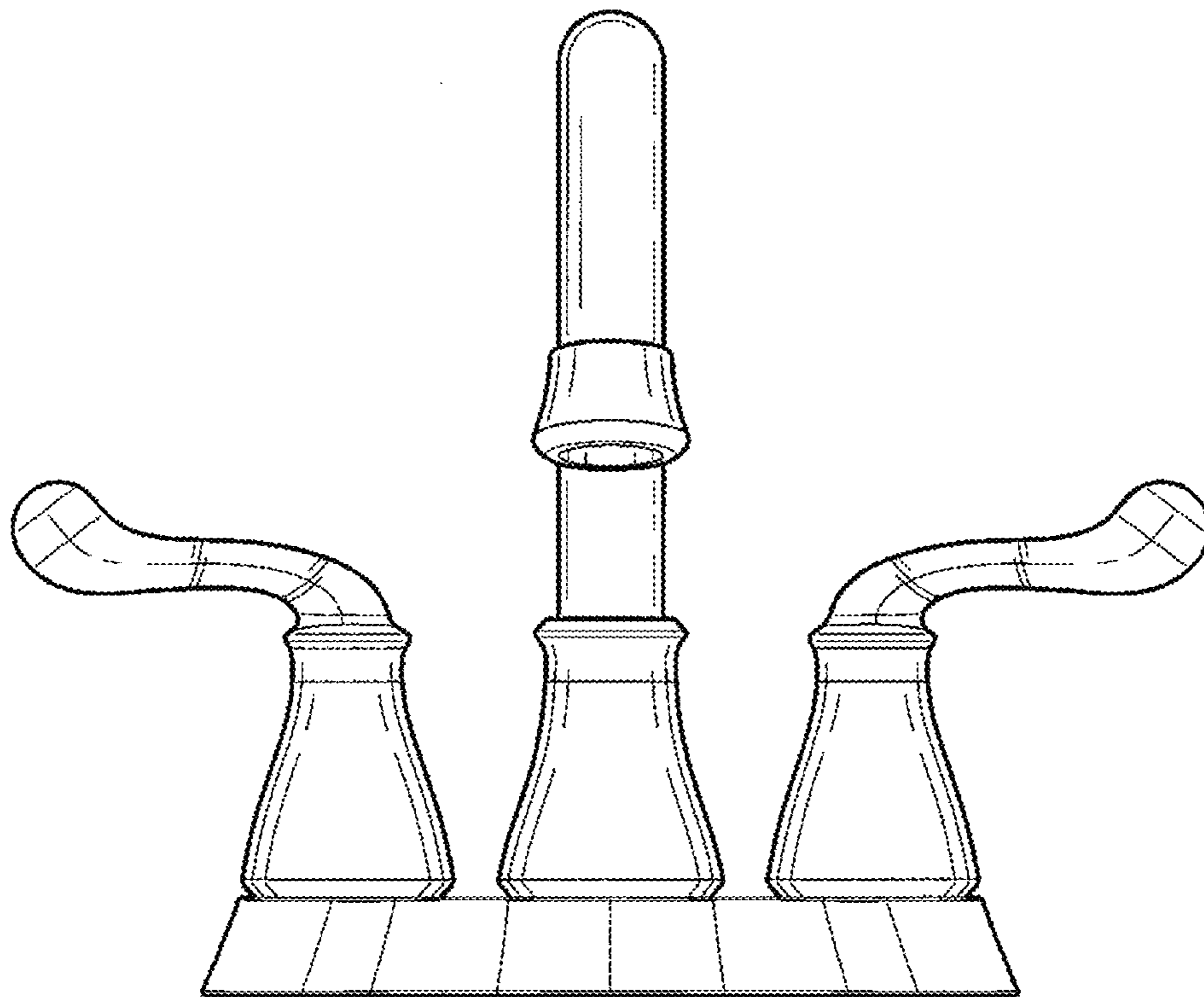


Fig-2

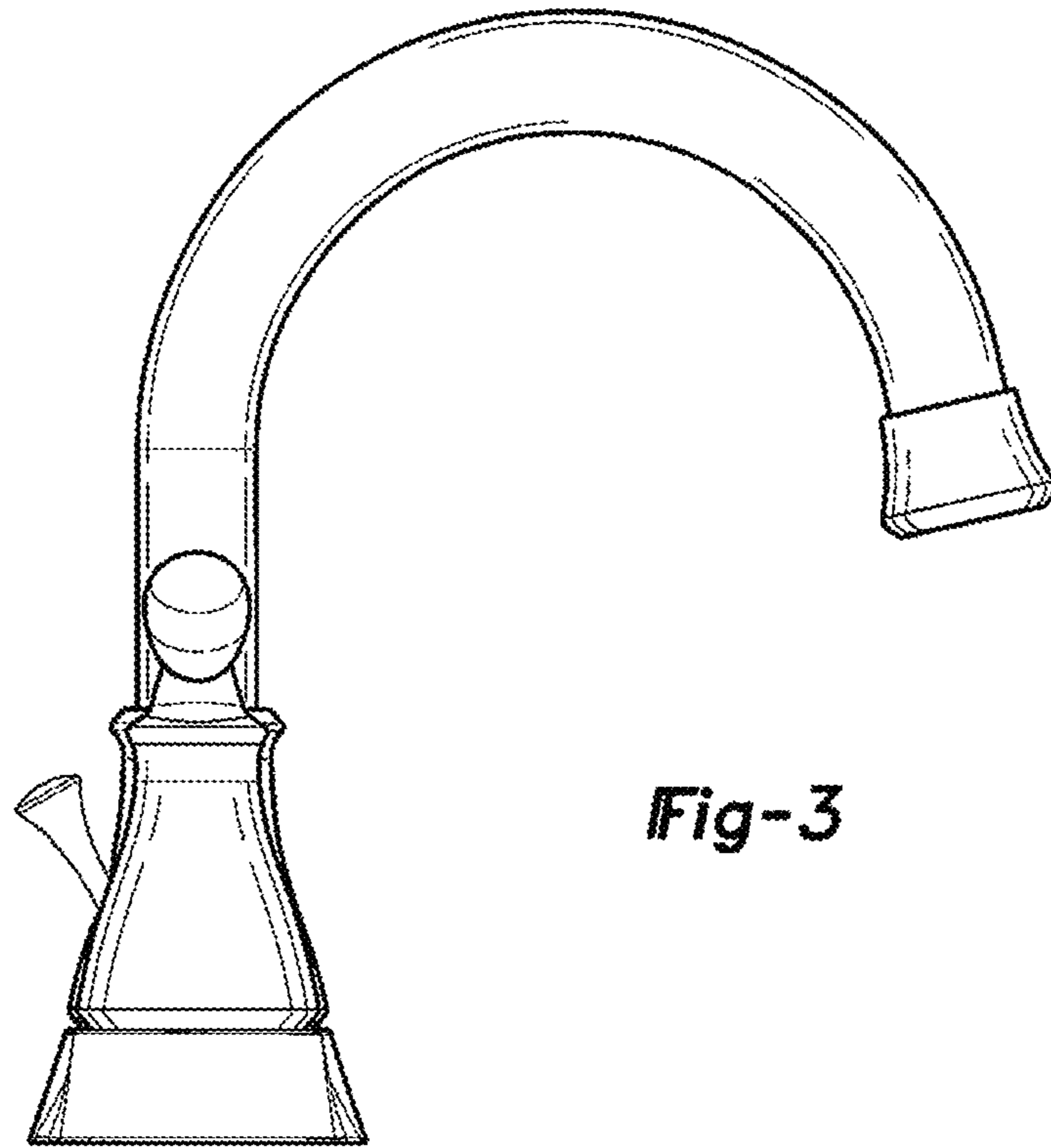


Fig-3

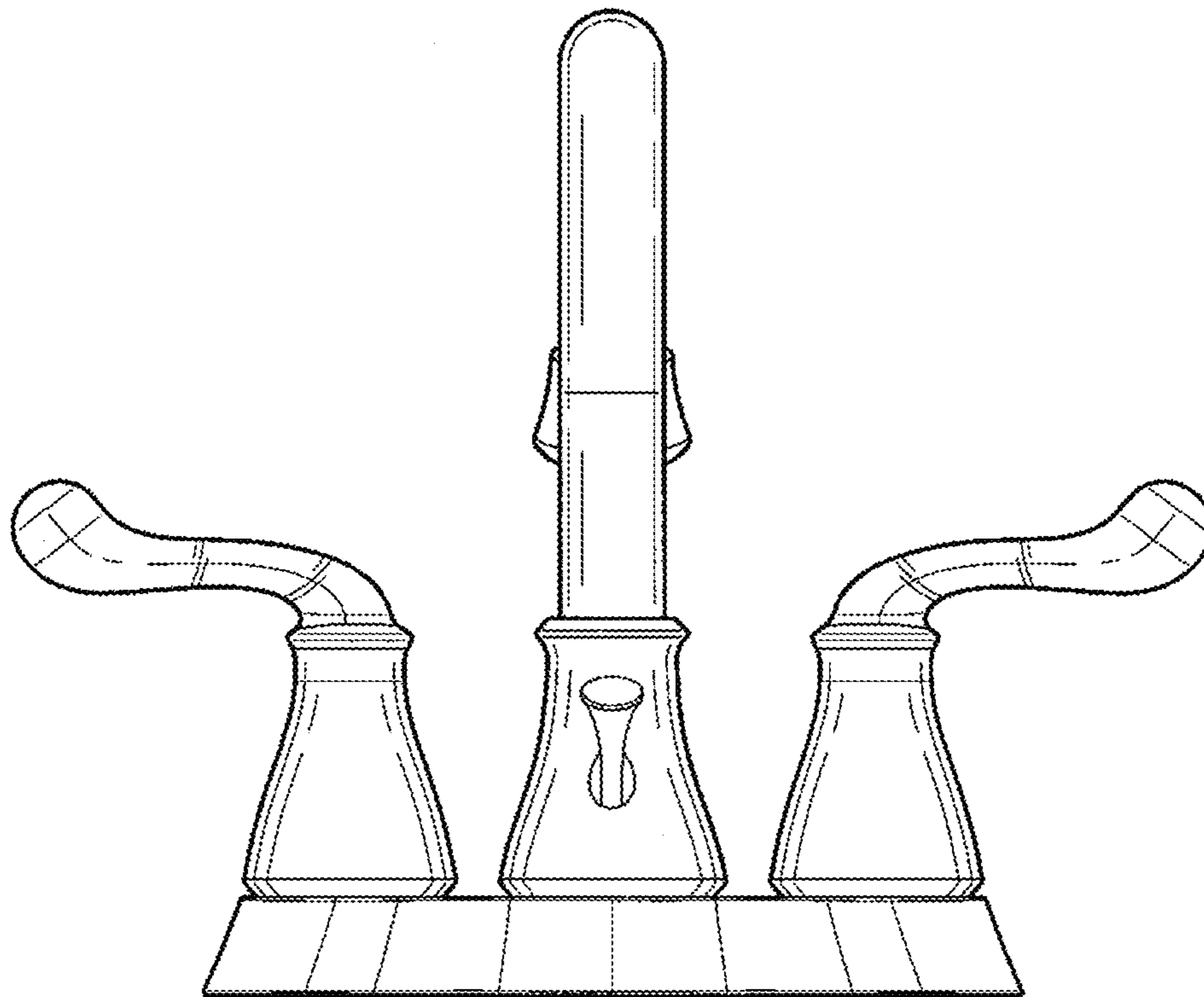


Fig-4

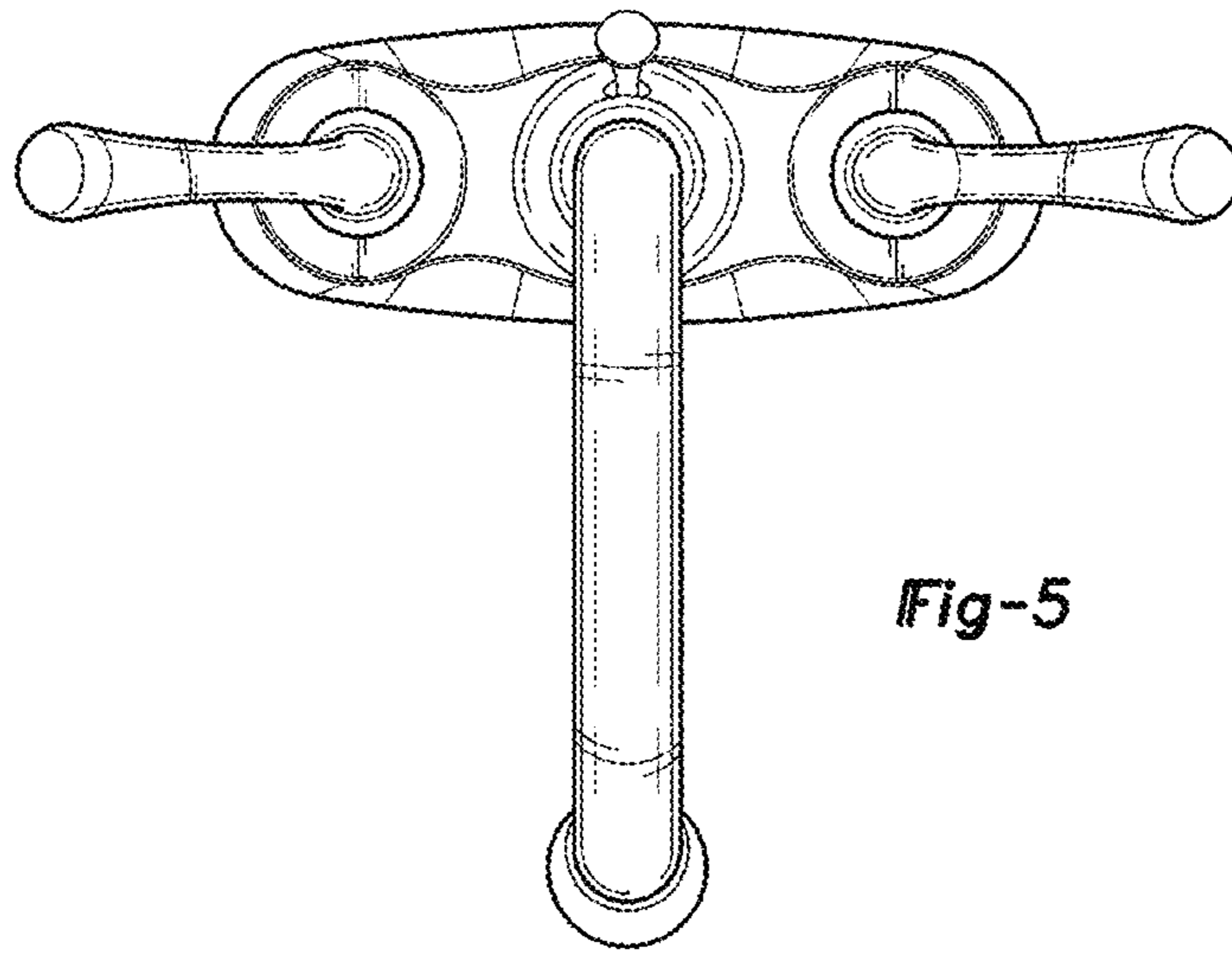


Fig-5

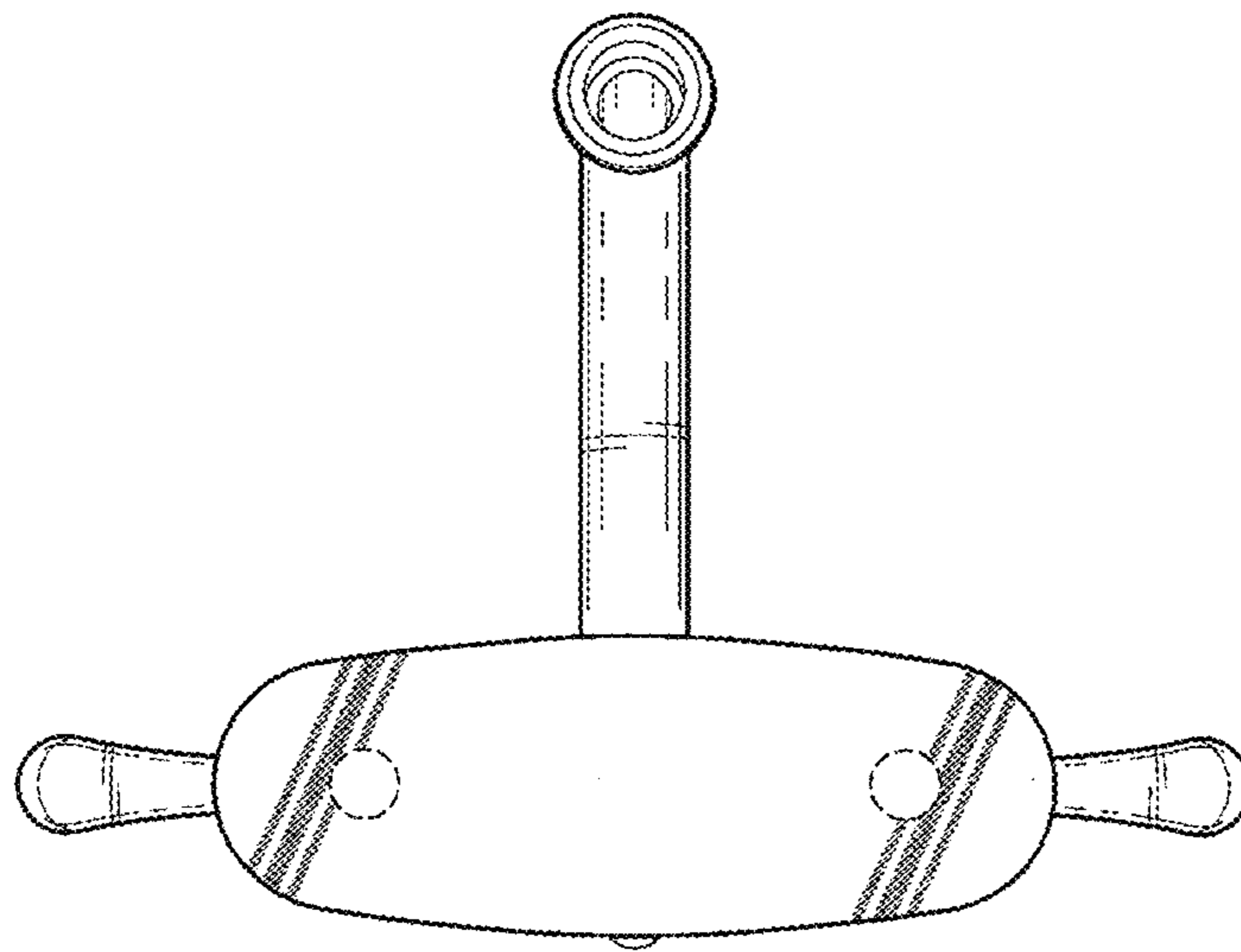


Fig-6