



US00D791278S

(12) **United States Design Patent**  
**Georgeson**

(10) **Patent No.:** **US D791,278 S**

(45) **Date of Patent:** **\*\* Jul. 4, 2017**

(54) **FAUCET**

(71) Applicant: **Kohler Co.**, Kohler, WI (US)

(72) Inventor: **Paul B. Georgeson**, Milwaukee, WI (US)

(73) Assignee: **KOHLER CO.**, Kohler, WI (US)

(\*\*) Term: **15 Years**

(21) Appl. No.: **29/551,175**

(22) Filed: **Jan. 11, 2016**

(51) **LOC (10) Cl.** ..... **23-01**

(52) **U.S. Cl.**  
USPC ..... **D23/238**

(58) **Field of Classification Search**  
USPC ..... D23/238, 249–250, 252, 254, 213, 223,  
D23/226, 229; D8/307–308, 310  
CPC . E03C 1/00; E03C 1/0404; E03C 1/02; E03C  
1/021; E03C 2001/0411; E03C  
2001/0415; E03C 2001/0417; Y10T  
137/9464; B05B 15/065; A47L 17/00  
See application file for complete search history.

(56) **References Cited**

**U.S. PATENT DOCUMENTS**

D426,618 S \* 6/2000 Mark ..... D23/238  
D432,635 S \* 10/2000 Spangler ..... D23/238

D501,671 S 2/2005 Bayer  
D528,633 S 9/2006 Bayer  
D530,785 S 10/2006 Rexach et al.  
D534,623 S \* 1/2007 Fritz ..... D23/238

\* cited by examiner

*Primary Examiner* — Robert Delehanty

(74) *Attorney, Agent, or Firm* — Foley & Lardner LLP

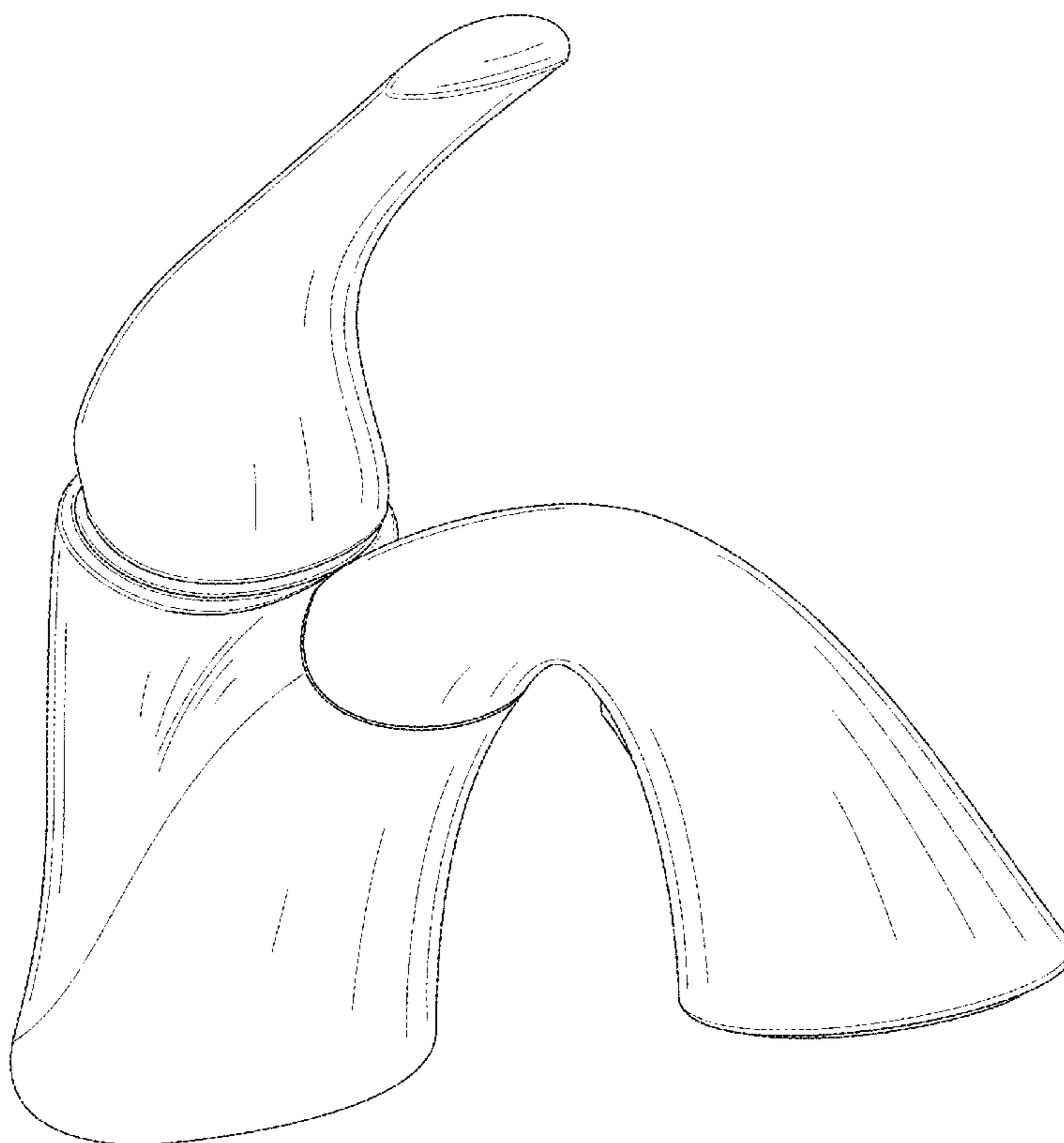
(57) **CLAIM**

I claim the ornamental design for a faucet, as shown and described.

**DESCRIPTION**

FIG. 1 is a top, front, left perspective view of an embodiment of the claimed design;  
FIG. 2 is a bottom, front, left perspective view thereof;  
FIG. 3 is a front elevation view thereof;  
FIG. 4 is a rear elevation view thereof;  
FIG. 5 is a right side elevation view thereof, and the left side elevation view of the claimed design is a mirror image of the right side elevation view;  
FIG. 6 is a top plan view thereof; and,  
FIG. 7 is a bottom plan view thereof.  
The ornamental design which is claimed is shown in solid lines in the drawings. The broken lines in the drawings form no part of the claimed design. Broken lines formed by equal length dashes show unclaimed subject matter.

**1 Claim, 5 Drawing Sheets**



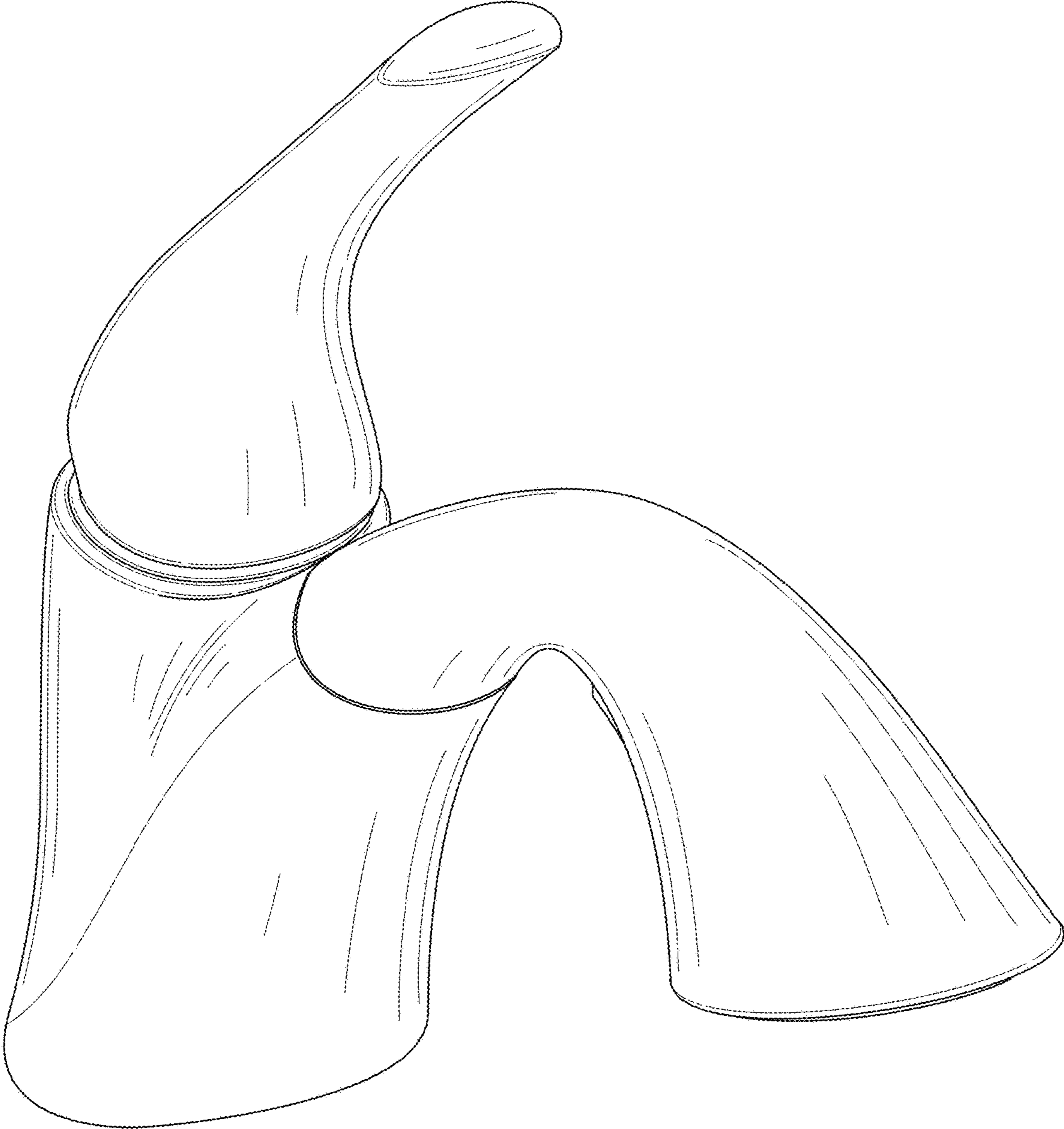


FIG. 1

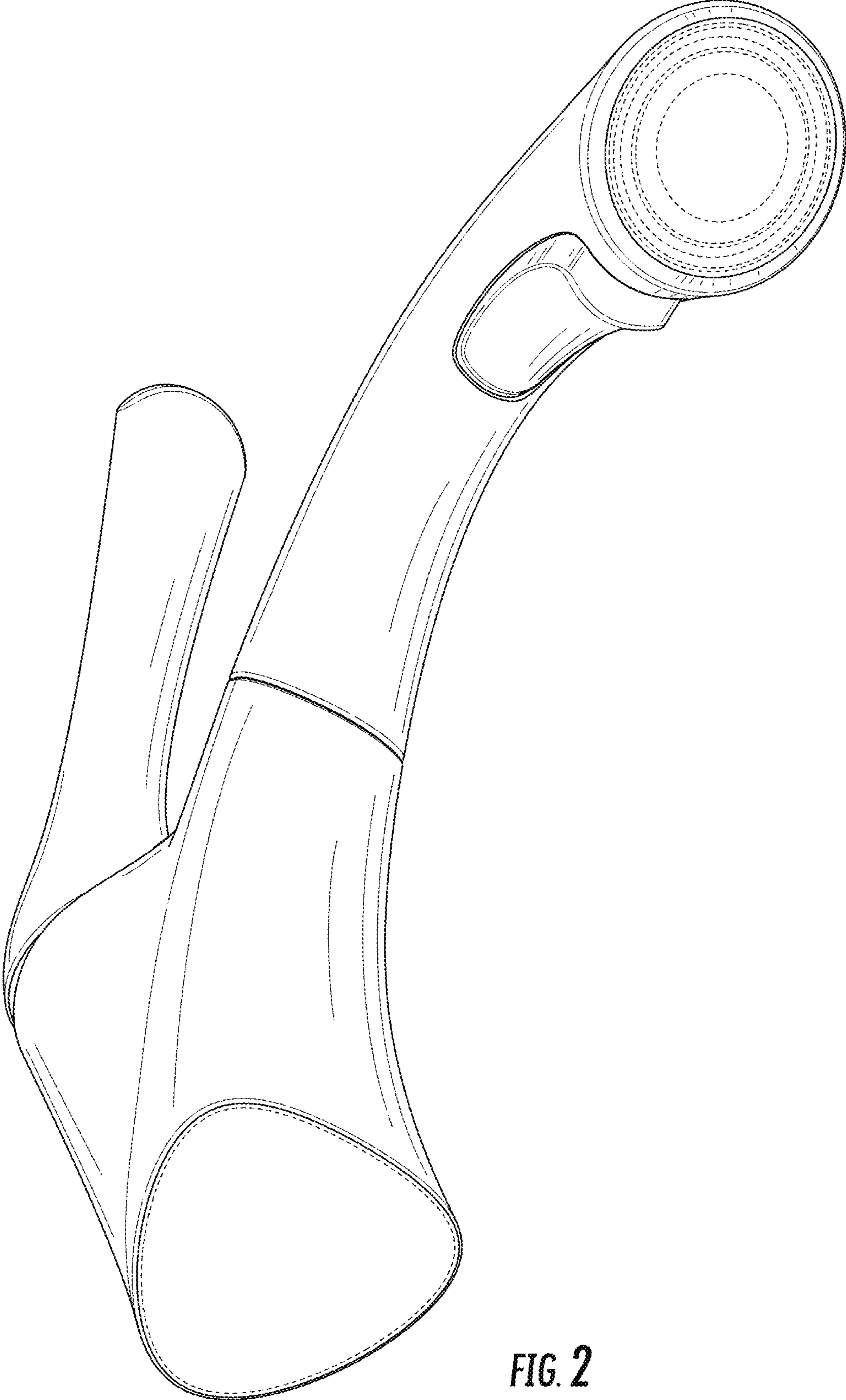
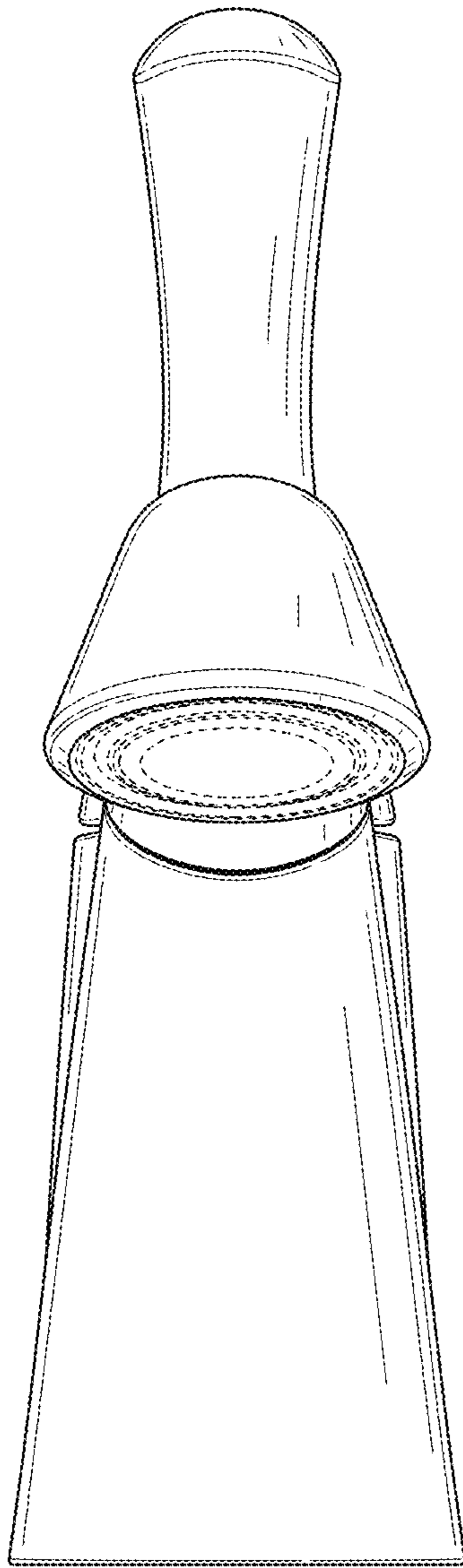
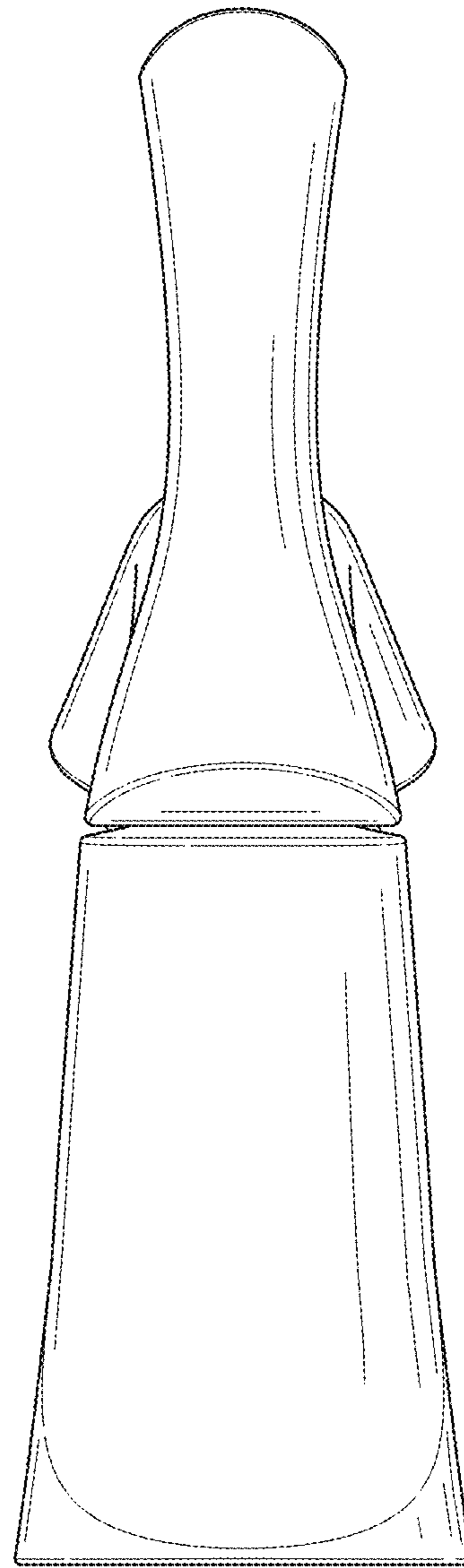


FIG. 2



**FIG. 3**



**FIG. 4**

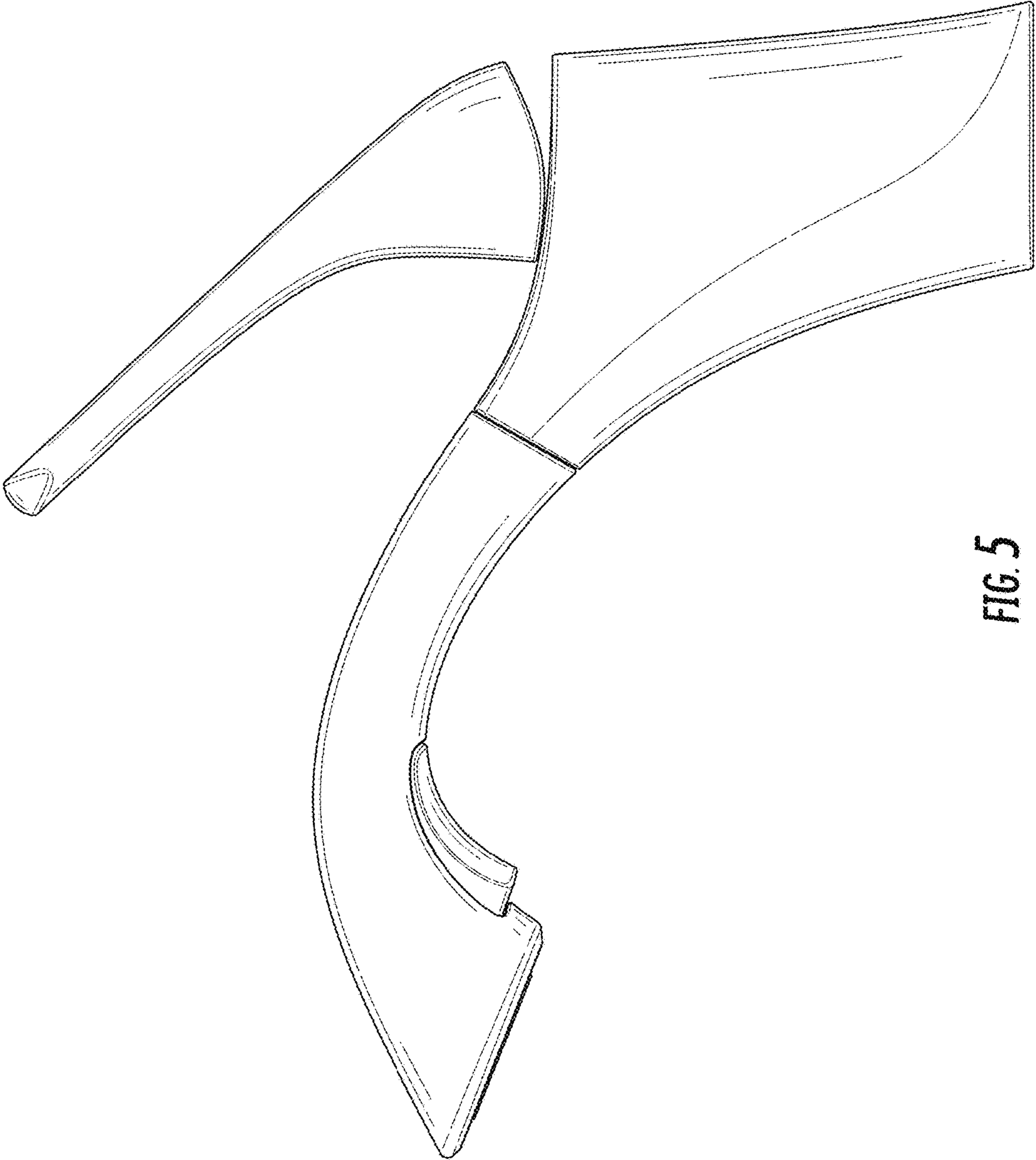


FIG. 5

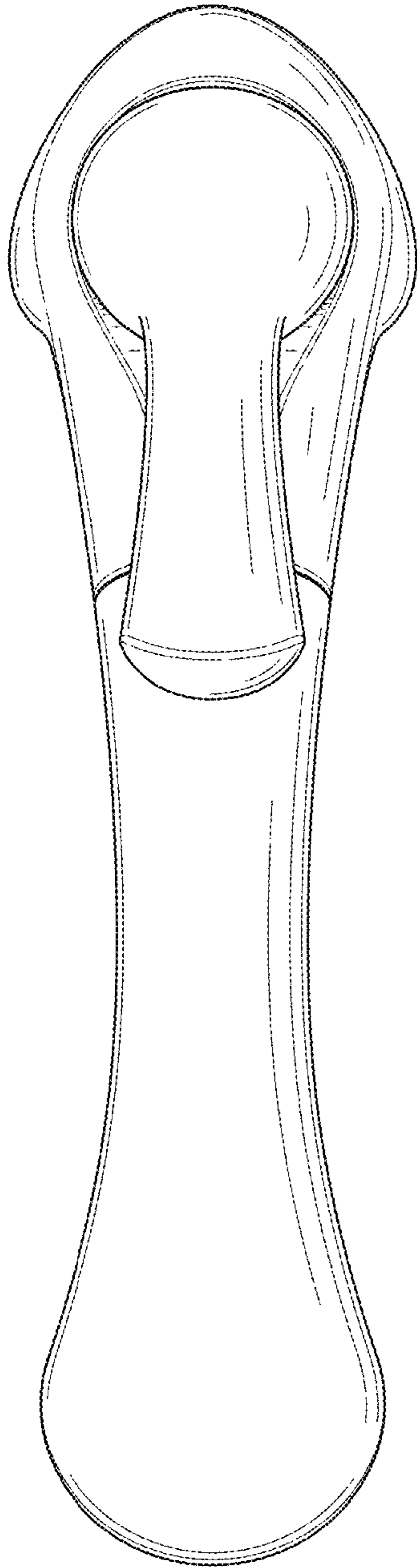


FIG. 6

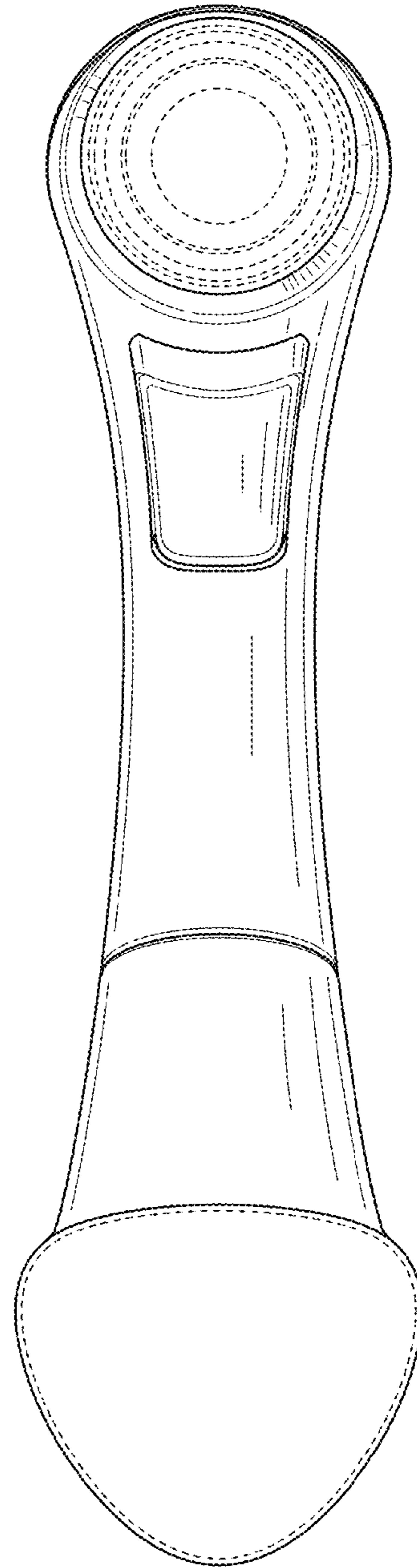


FIG. 7