



US00D791277S

(12) **United States Design Patent**
Eads

(10) **Patent No.:** **US D791,277 S**

(45) **Date of Patent:** **** Jul. 4, 2017**

(54) **SHOWERHEAD**

(71) Applicant: **DELTA FAUCET COMPANY,**
Indianapolis, IN (US)

(72) Inventor: **Thad Eads,** North Manchester, IN (US)

(73) Assignee: **DELTA FAUCET COMPANY,**
Indianapolis, IN (US)

(**) Term: **15 Years**

(21) Appl. No.: **29/551,091**

(22) Filed: **Jan. 11, 2016**

(51) **LOC (10) Cl.** **23-01**

(52) **U.S. Cl.**
USPC **D23/213**

(58) **Field of Classification Search**
USPC D23/213, 223, 226, 229, 230; 239/282,
239/283, 526
CPC B05B 1/00; B05B 1/18; B05B 9/01
See application file for complete search history.

(56) **References Cited**

U.S. PATENT DOCUMENTS

D604,802 S * 11/2009 Schoenherr D23/213
D645,540 S * 9/2011 Fritz D23/213
D707,328 S * 6/2014 Schoenherr D23/213

D724,180 S * 3/2015 Lin D23/213
D751,174 S * 3/2016 Schoenherr D23/213
D751,176 S * 3/2016 Schoenherr D23/213
D757,894 S * 5/2016 Schoenherr D23/213
D757,895 S * 5/2016 Schoenherr D23/213

* cited by examiner

Primary Examiner — Robin V Webster

(74) *Attorney, Agent, or Firm* — Edgar A. Zarins; Nirav D. Parikh

(57) **CLAIM**

The ornamental design for a showerhead, as shown and described.

DESCRIPTION

FIG. 1 is a rear perspective view of a showerhead showing my new design;

FIG. 2 is a front face view thereof;

FIG. 3 is a bottom side view thereof;

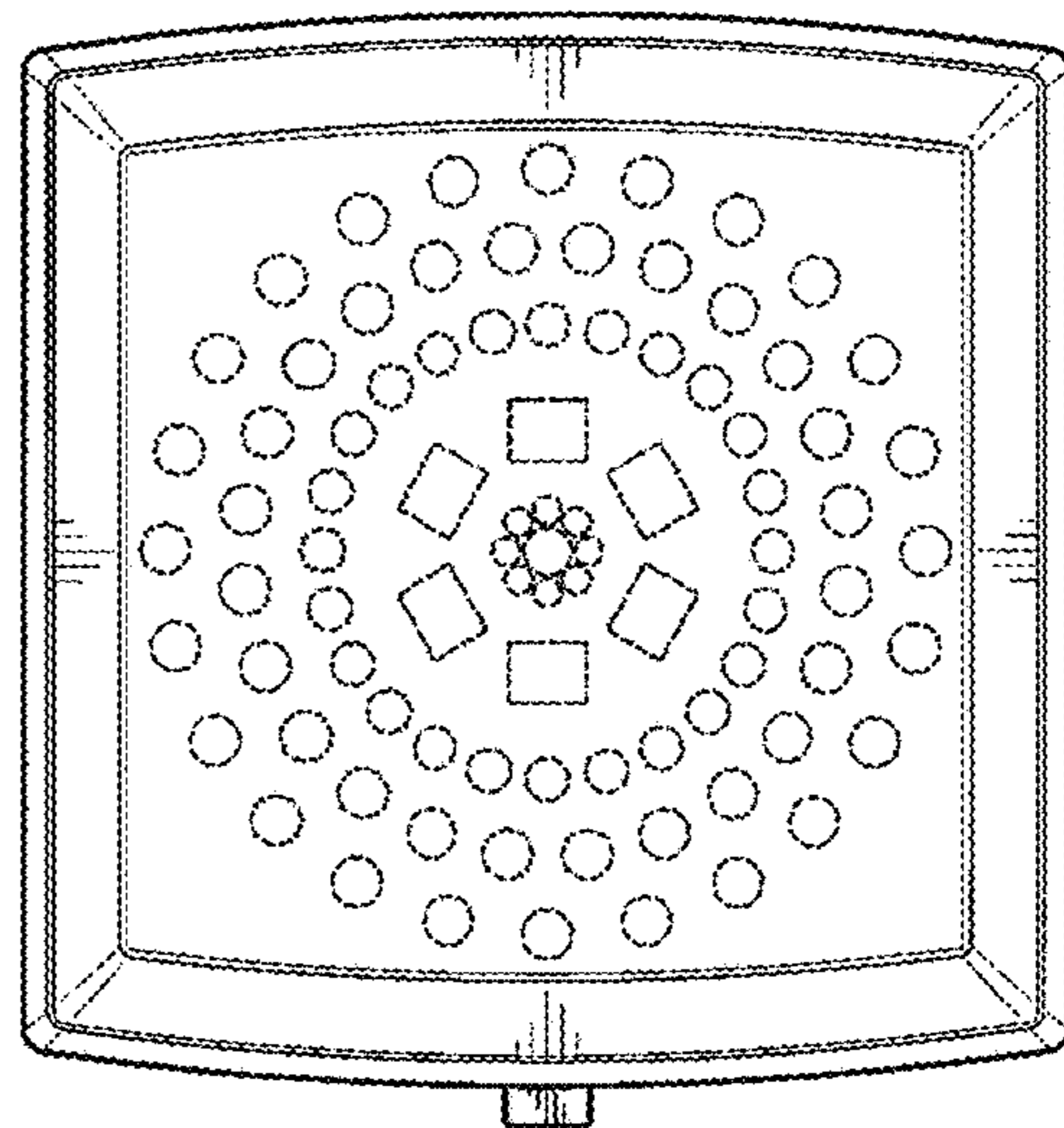
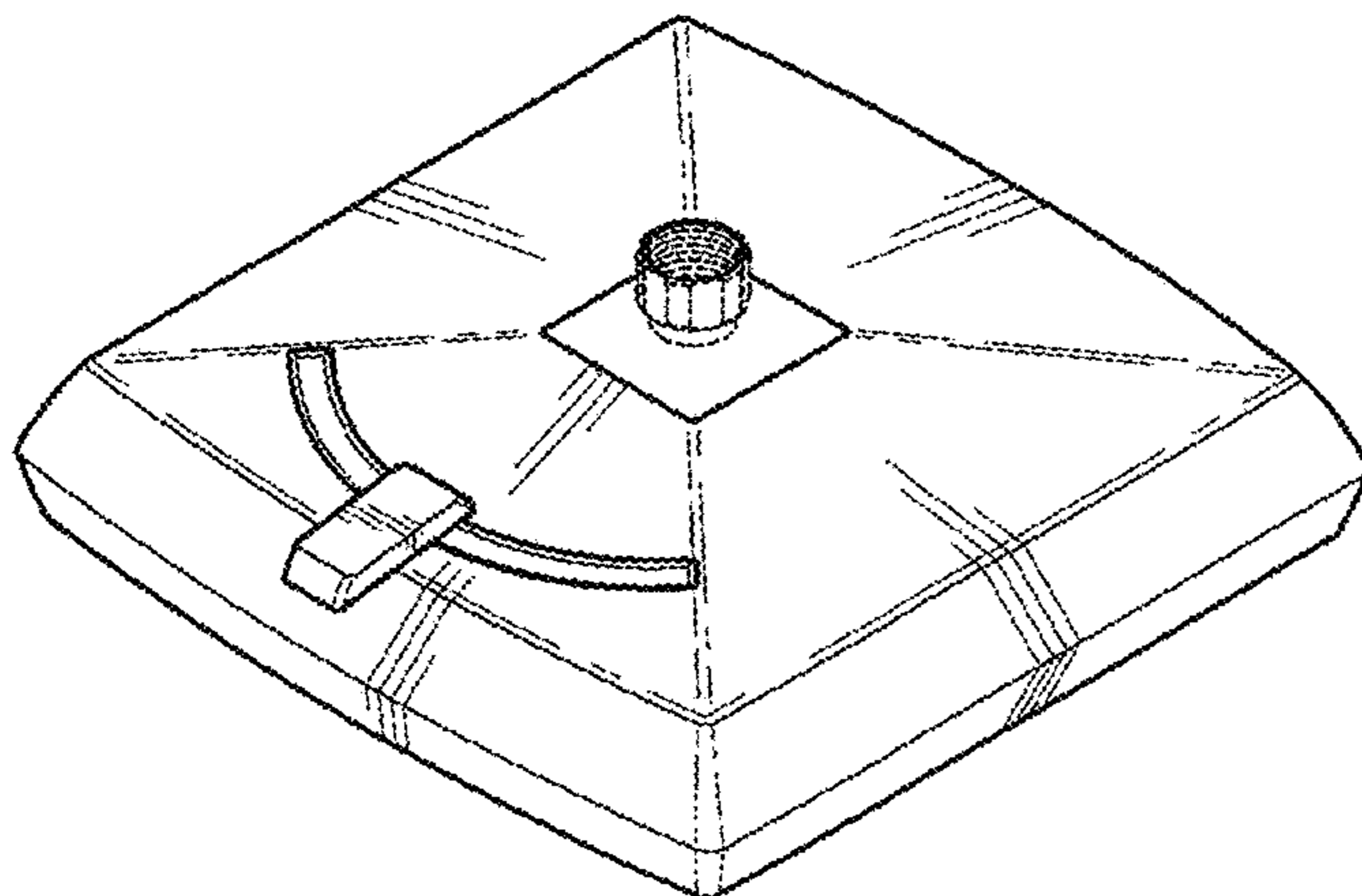
FIG. 4 is a rear view thereof;

FIG. 5 is a right side view thereof, the opposite side being a mirror image of the side shown; and,

FIG. 6 is a top side view thereof.

The broken line showing of the rear attachment and the water holes on the face of the showerhead is included for the purpose of illustrating and forms no part of the claimed design.

1 Claim, 2 Drawing Sheets



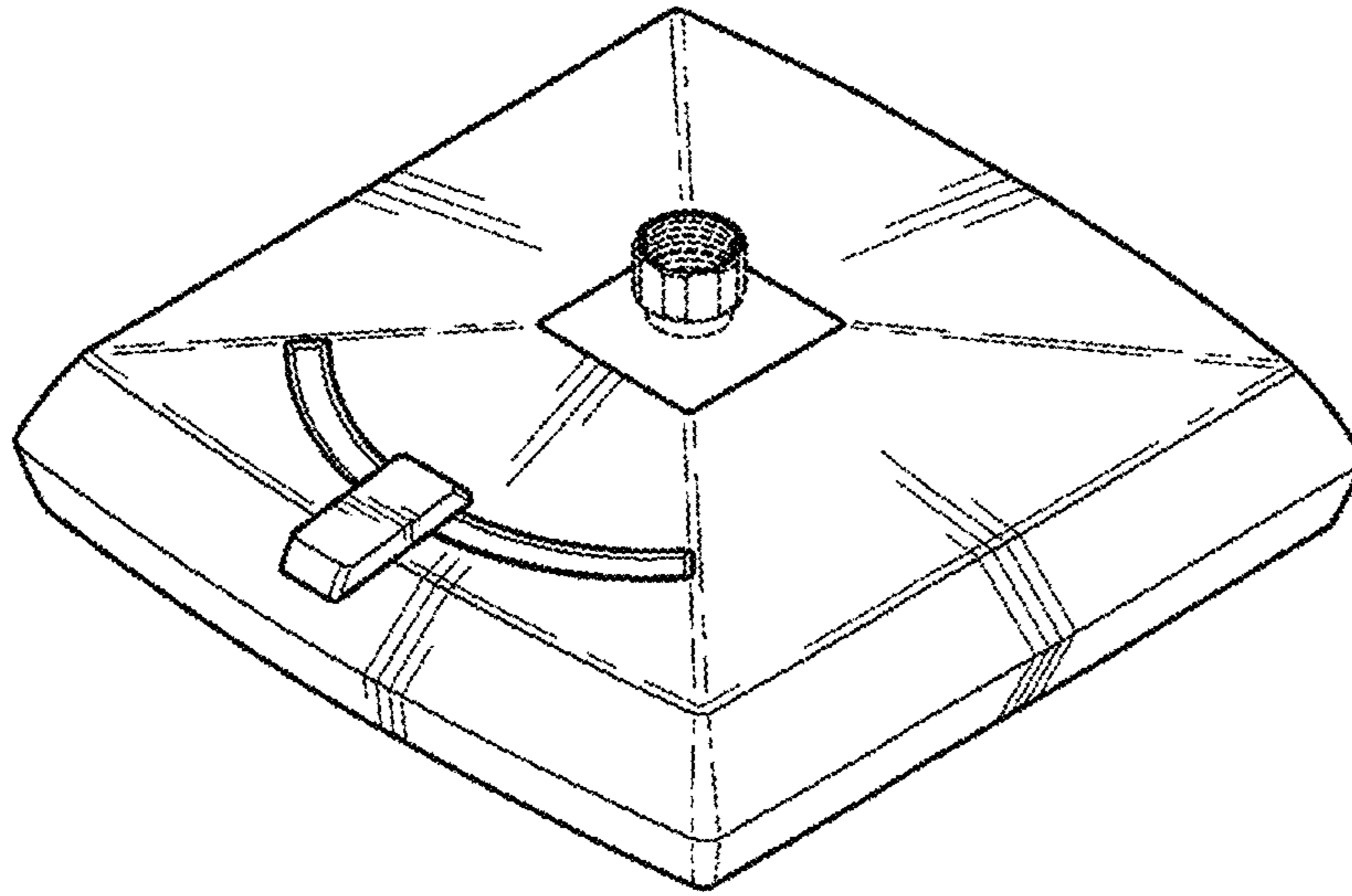


Fig-1

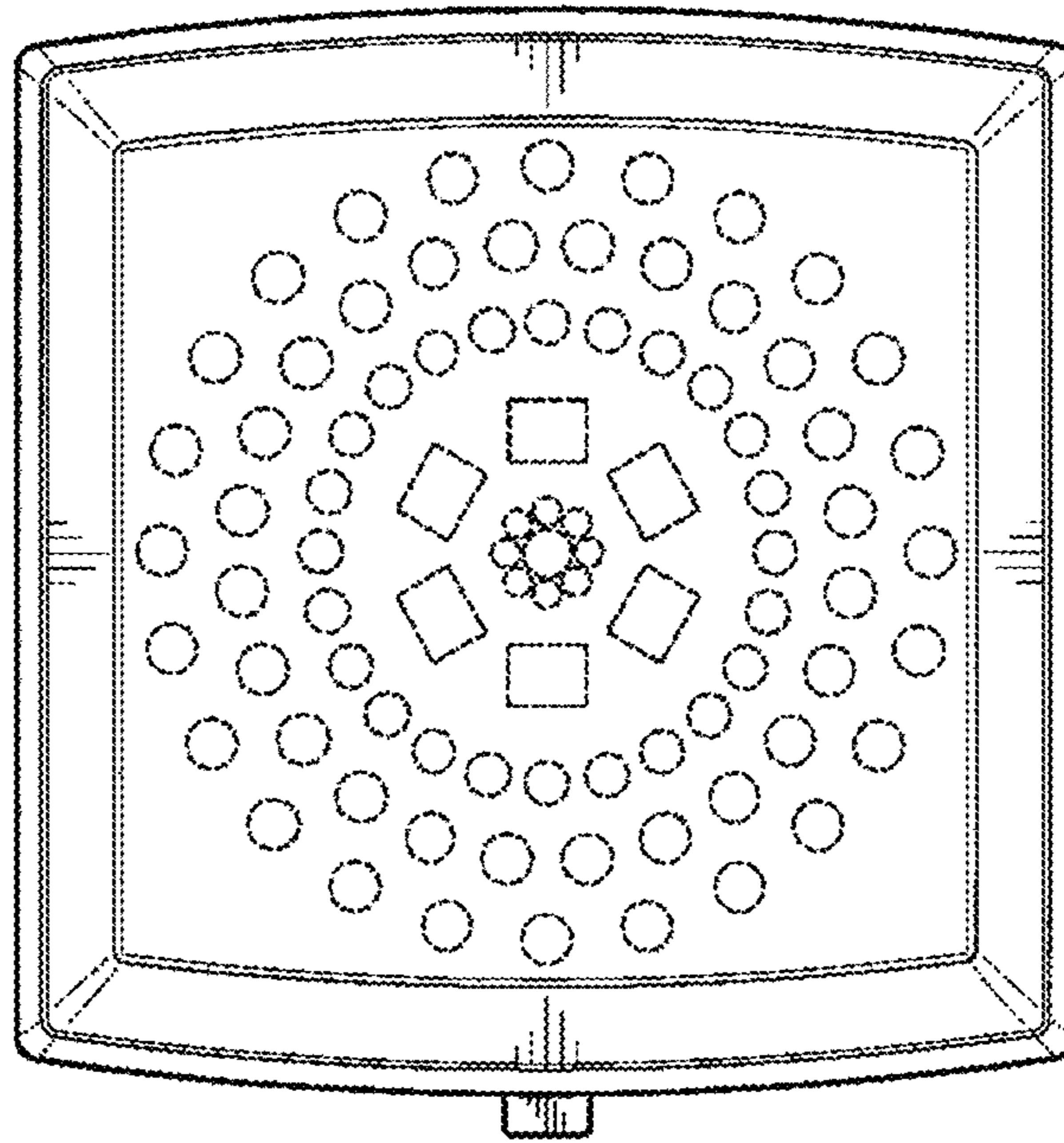


Fig-2

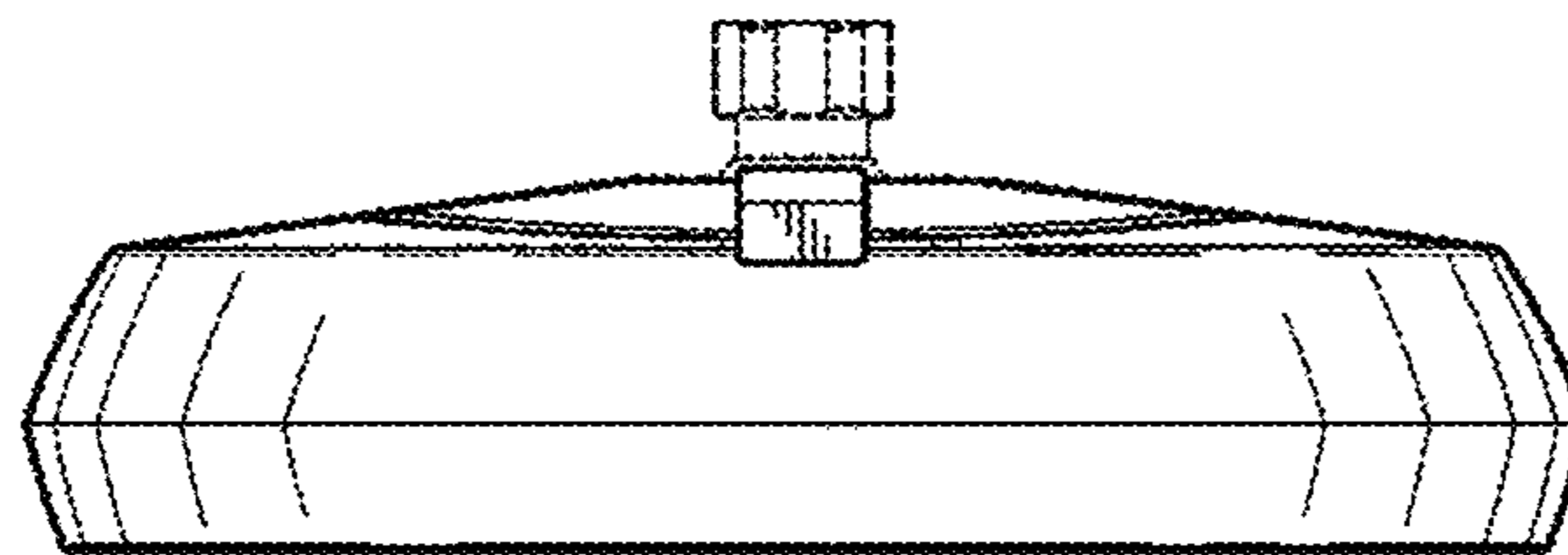


Fig-3

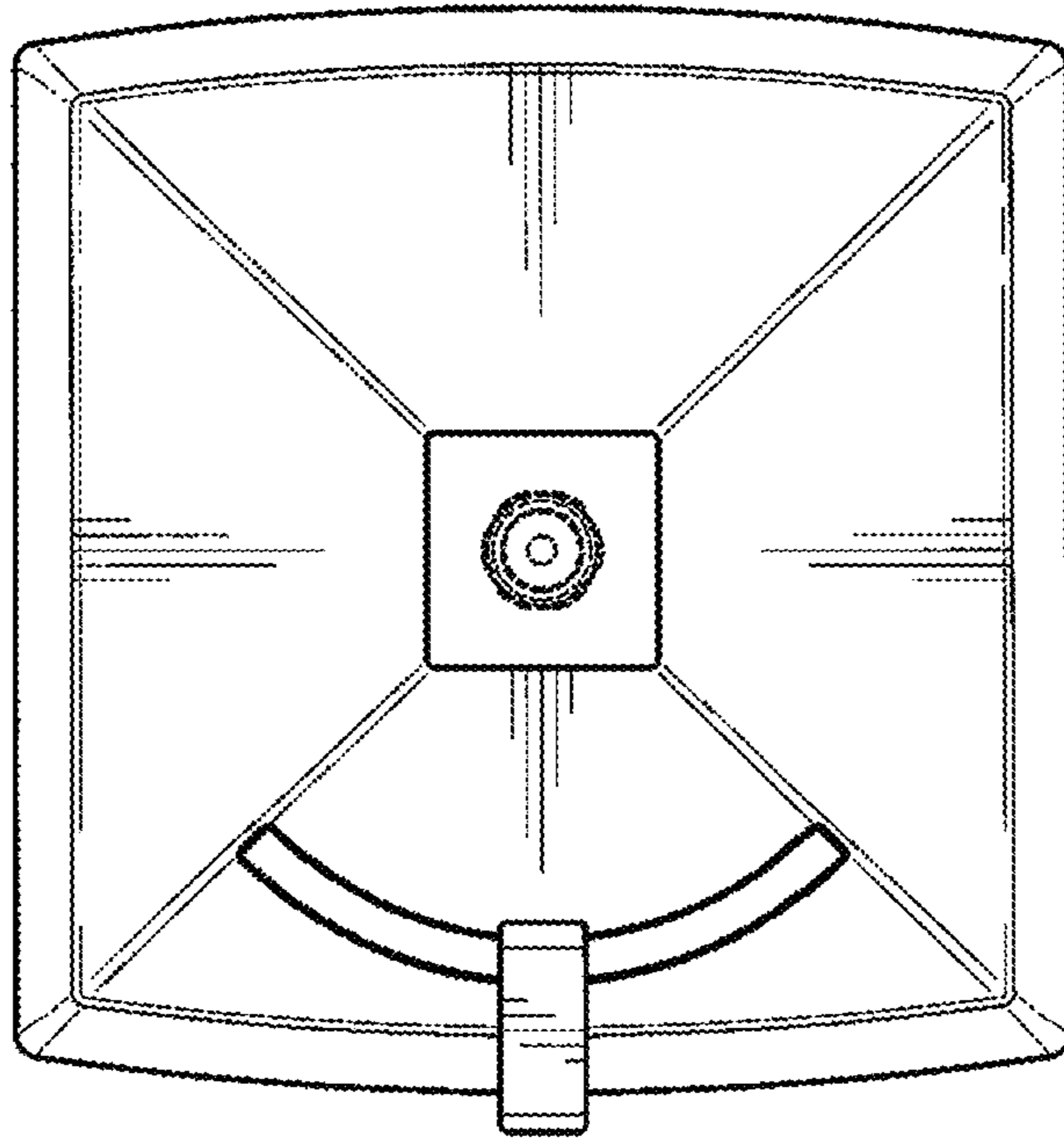


Fig-4

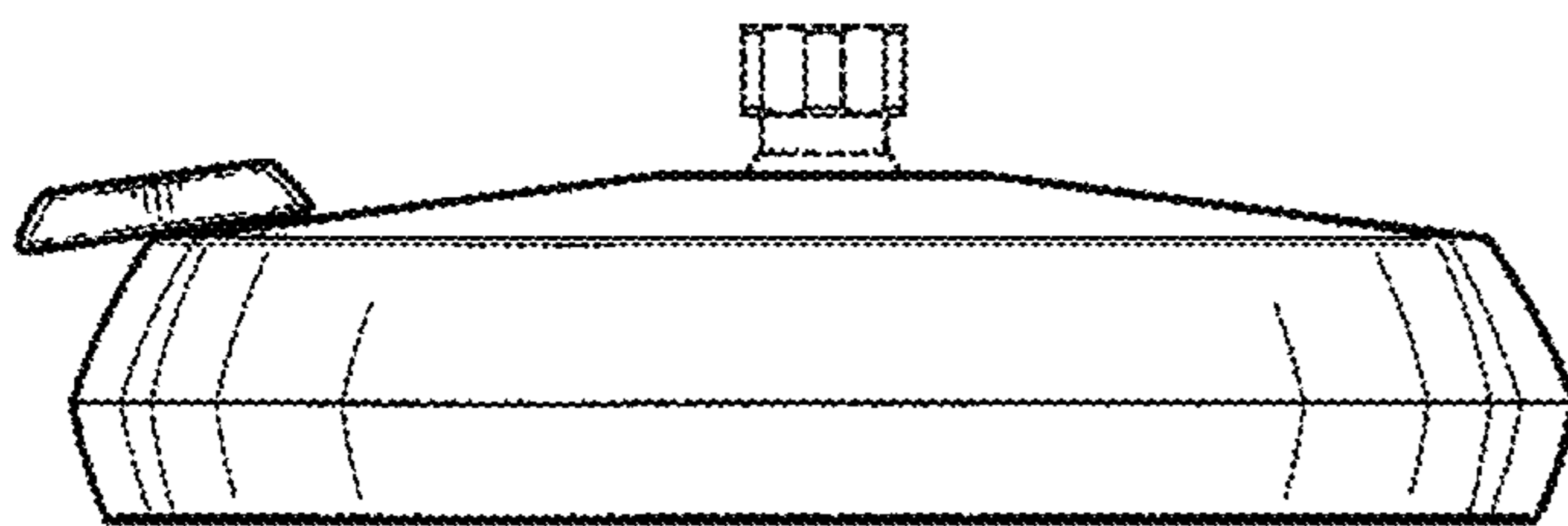


Fig-5

Fig-6

