



US00D791276S

(12) **United States Design Patent**
Sharratt

(10) **Patent No.:** **US D791,276 S**
(45) **Date of Patent:** **** Jul. 4, 2017**

(54) **SHOWERHEAD FILTER CARTRIDGE**

(71) Applicant: **WAXMAN CONSUMER PRODUCTS GROUP INC.**, Bedford Heights, OH (US)

(72) Inventor: **Jason A. Sharratt**, Wadsworth, OH (US)

(73) Assignee: **Waxman Consumer Products Group Inc.**, Bedford Heights, OH (US)

(**) Term: **15 Years**

(21) Appl. No.: **29/568,878**

(22) Filed: **Jun. 22, 2016**

(51) **LOC (10) Cl.** **23-01**

(52) **U.S. Cl.**
USPC **D23/209**

(58) **Field of Classification Search**
USPC D23/207, 208, 209; 210/446-7, 449; 239/289

(Continued)

(56) **References Cited**

U.S. PATENT DOCUMENTS

D243,458 S * 2/1977 Pall D23/209
D361,622 S * 8/1995 Farley D23/209

(Continued)

OTHER PUBLICATIONS

Culligan Shower Filter Replacement Cartridge, part No. CUL WHR-140 found at URL: www.culligan-store.com/product_detail.asp?T1=CUL+WHR%2D140&; one (1) page; Applicant believes that the above product is prior art being on sale more than one year prior to the subject application's filing date, namely Jan. 28, 2014.

(Continued)

Primary Examiner — Robin V Webster

(74) *Attorney, Agent, or Firm* — Tarolli, Sundheim, Covell & Tummino LLP; John A. Yirga, Esq.

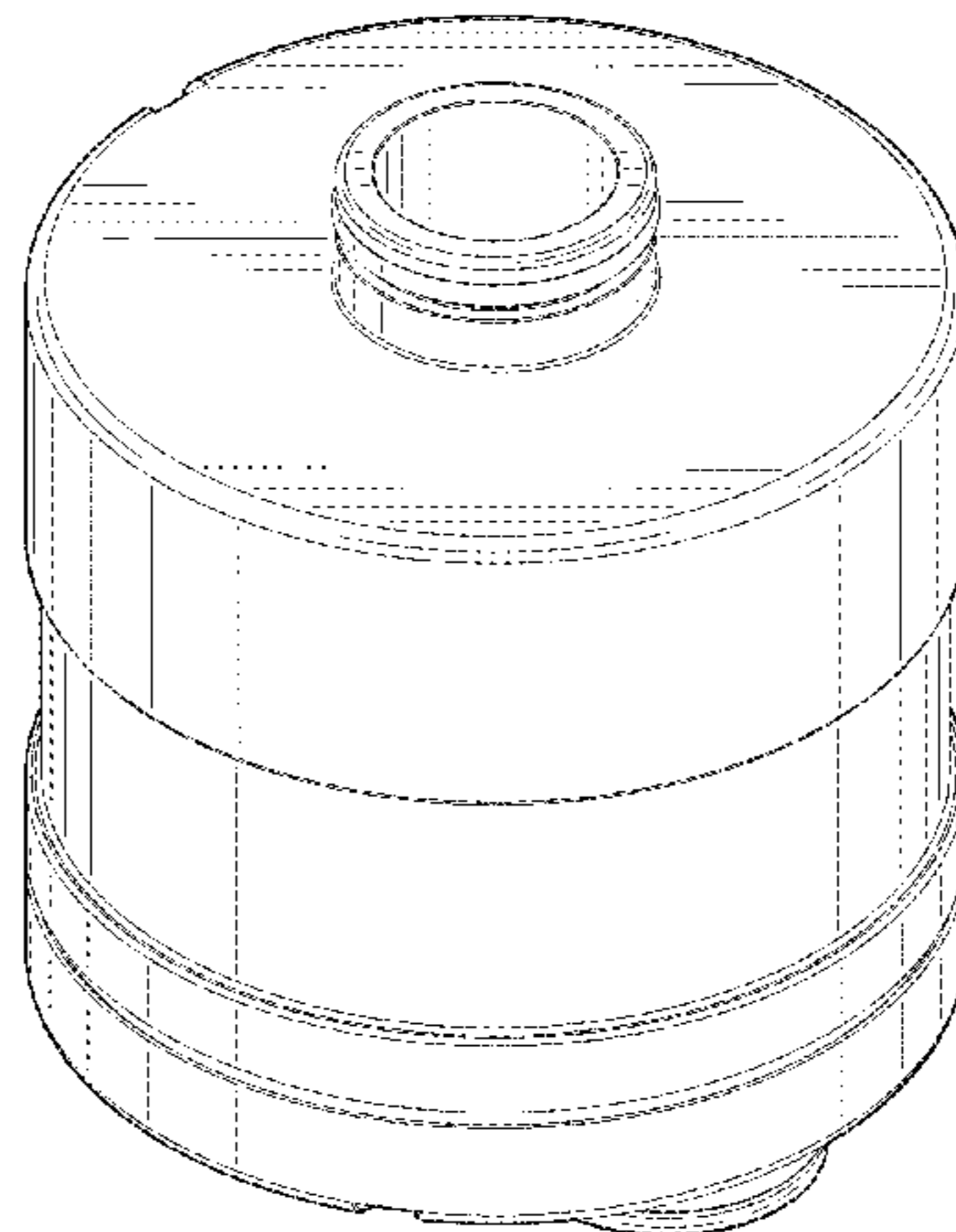
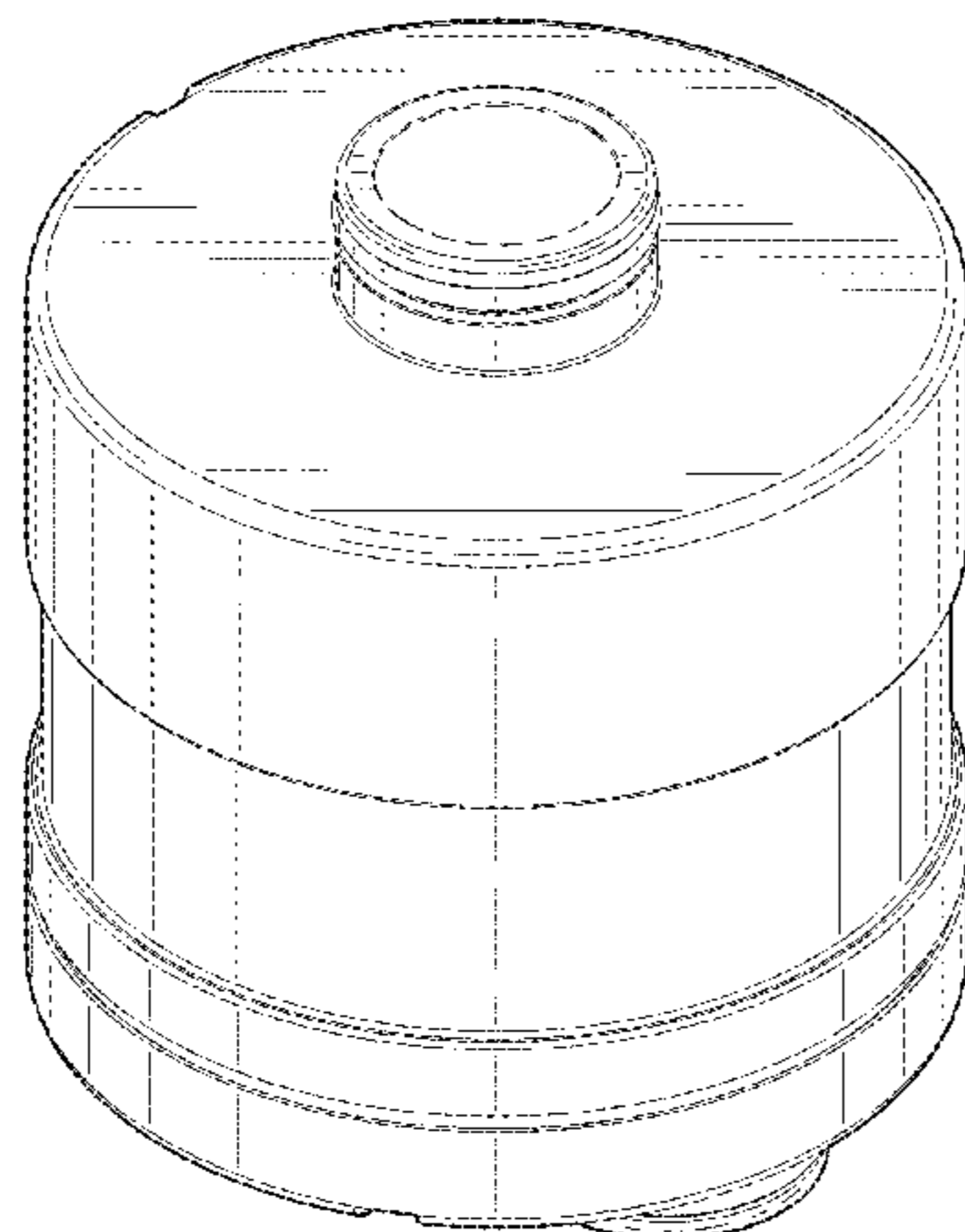
(57) **CLAIM**

The ornamental design for a showerhead filter cartridge, as shown and described.

DESCRIPTION

FIG. 1 is a first top perspective view of a showerhead filter cartridge illustrated in accordance with one example embodiment of the present disclosure;
FIG. 2 is a second top perspective view thereof;
FIG. 3 is a first bottom perspective view thereof;
FIG. 4 is a second bottom perspective view thereof;
FIG. 5 is a first side elevation view thereof;
FIG. 6 is a second side elevation view thereof;
FIG. 7 is a third side elevation view thereof;
FIG. 8 is a fourth side elevation view thereof;
FIG. 9 is a top plan view thereof; and
FIG. 10 is a bottom plan view thereof.
FIG. 11 is a first top perspective view of a showerhead filter cartridge illustrated in accordance with a second example embodiment of the present disclosure;
FIG. 12 is a second top perspective view thereof;
FIG. 13 is a first bottom perspective view thereof;
FIG. 14 is a second bottom perspective view thereof;
FIG. 15 is a first side elevation view thereof;
FIG. 16 is a second side elevation view thereof;
FIG. 17 is a third side elevation view thereof;
FIG. 18 is a fourth side elevation view thereof;
FIG. 19 is a top plan view thereof;
FIG. 20 is a bottom plan view thereof;
FIG. 21 is an elevated section view of FIG. 19 along section lines 21-21;
FIG. 22 is an elevated section view of FIG. 19 along section lines 22-22;
FIG. 23 is an elevated section view of FIG. 20 along section lines 23-23; and,
FIG. 24 is an elevated section view of FIG. 20 along section lines 24-24.

(Continued)



Those portions of the Figures shown in broken lines or dashed lines are included for environmental purposes only and form no part of the claimed design.

1 Claim, 24 Drawing Sheets

(58) Field of Classification Search

CPC C02F 1/003; B01D 35/04; B01D 35/30
See application file for complete search history.

(56)

References Cited

U.S. PATENT DOCUMENTS

D364,446	S	*	11/1995	Farley	D23/209
5,549,822	A	*	8/1996	Ferguson	B01D 29/055
						210/238
D406,874	S	*	3/1999	Farley	D23/209
D416,072	S		11/1999	Douglas		
D417,904	S		12/1999	Douglas		

6,096,197	A		8/2000	Hughes		
6,187,187	B1		2/2001	Farley		
D441,048	S		4/2001	Archer		
D444,536	S		7/2001	Farley		
D446,841	S		8/2001	Silva		
6,325,930	B2		12/2001	Farley		
D462,108	S	*	8/2002	Farley	D23/209
D487,497	S	*	3/2004	Ti	D23/209
D667,925	S	*	9/2012	Farley	D23/209
8,961,788	B2		2/2015	Stanley		

OTHER PUBLICATIONS

Shower filter replacement cartridge for models WMF, HSF, and SUN. Sold by Paragon Waters Systems, Inc. found at URL: www.amazon.com/Shower-filter-replacement-cartridge-models/dp/50001F0ZZO; Four (4) pages; Applicant believes that the above product is prior art being on sale more than one year prior to the subject application's filing date, namely Jan. 28, 2014.

* cited by examiner

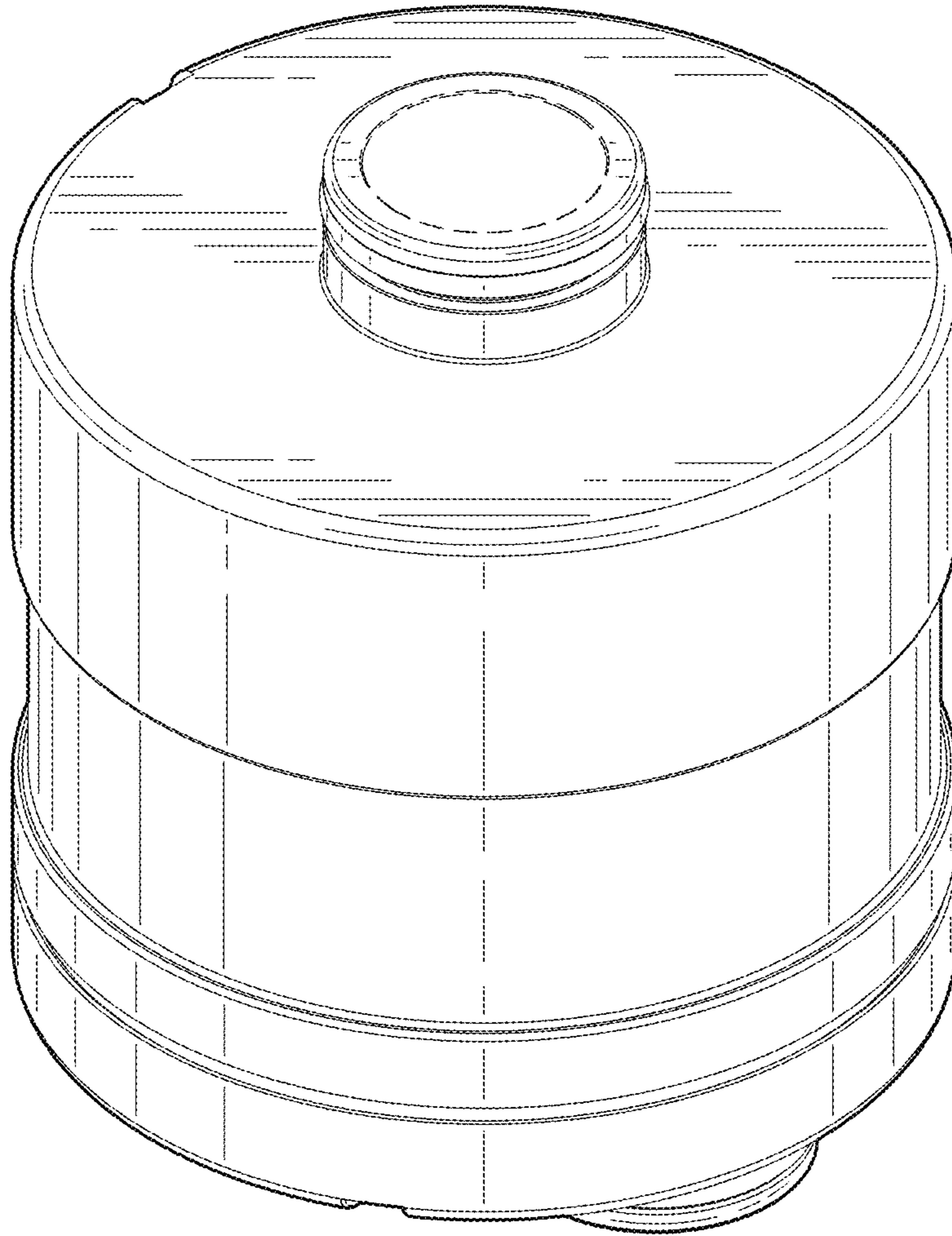


FIG. 1

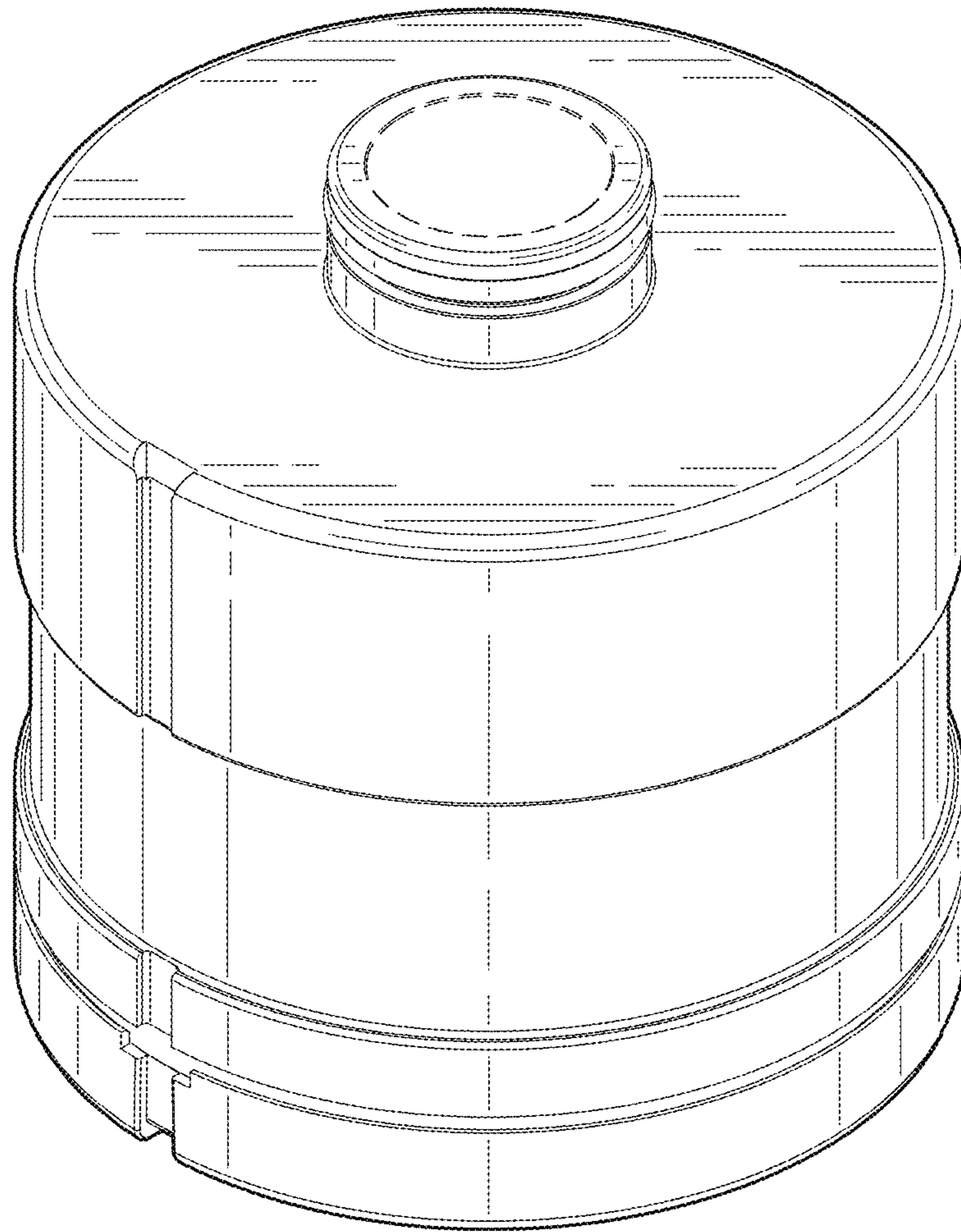


FIG. 2

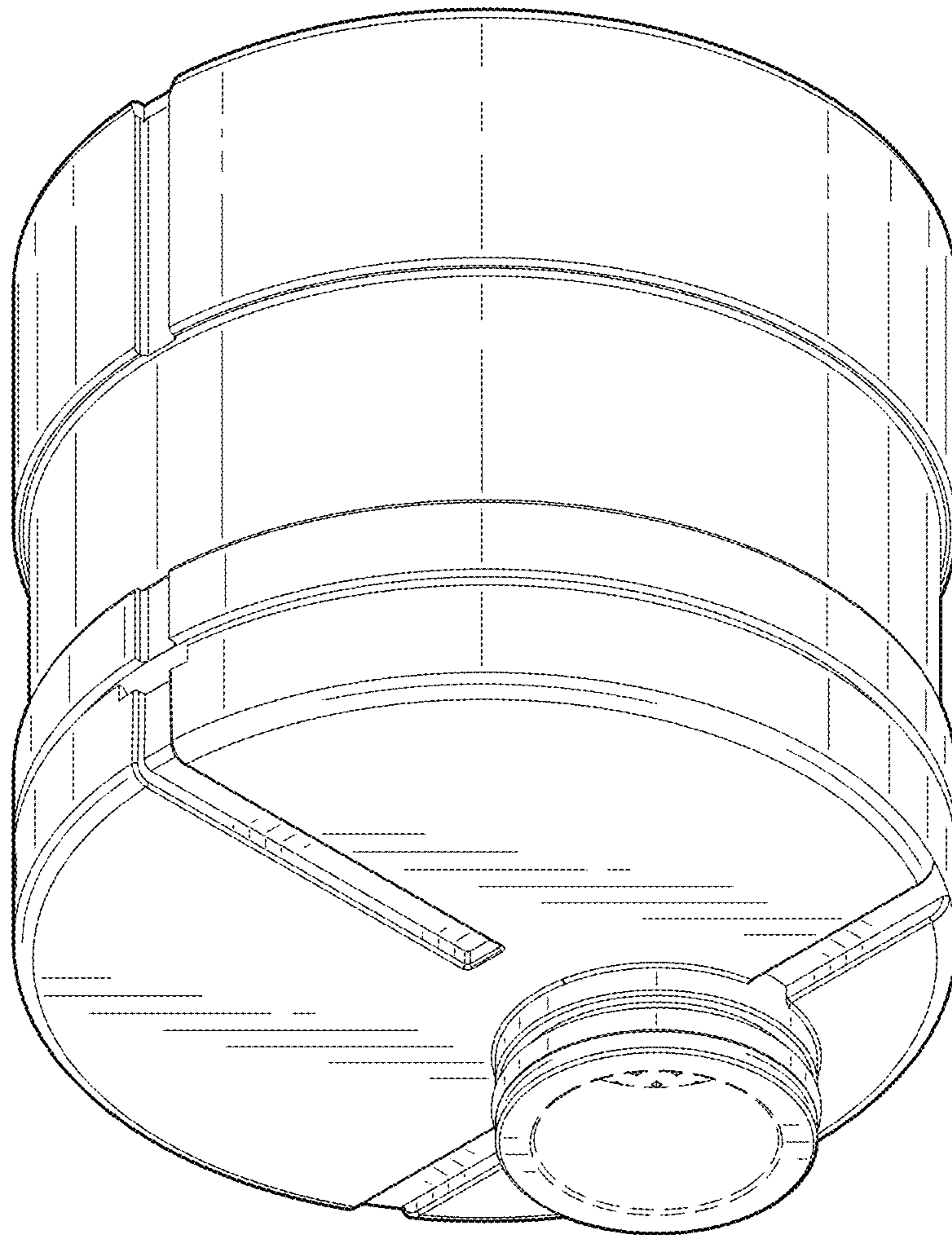


FIG. 3

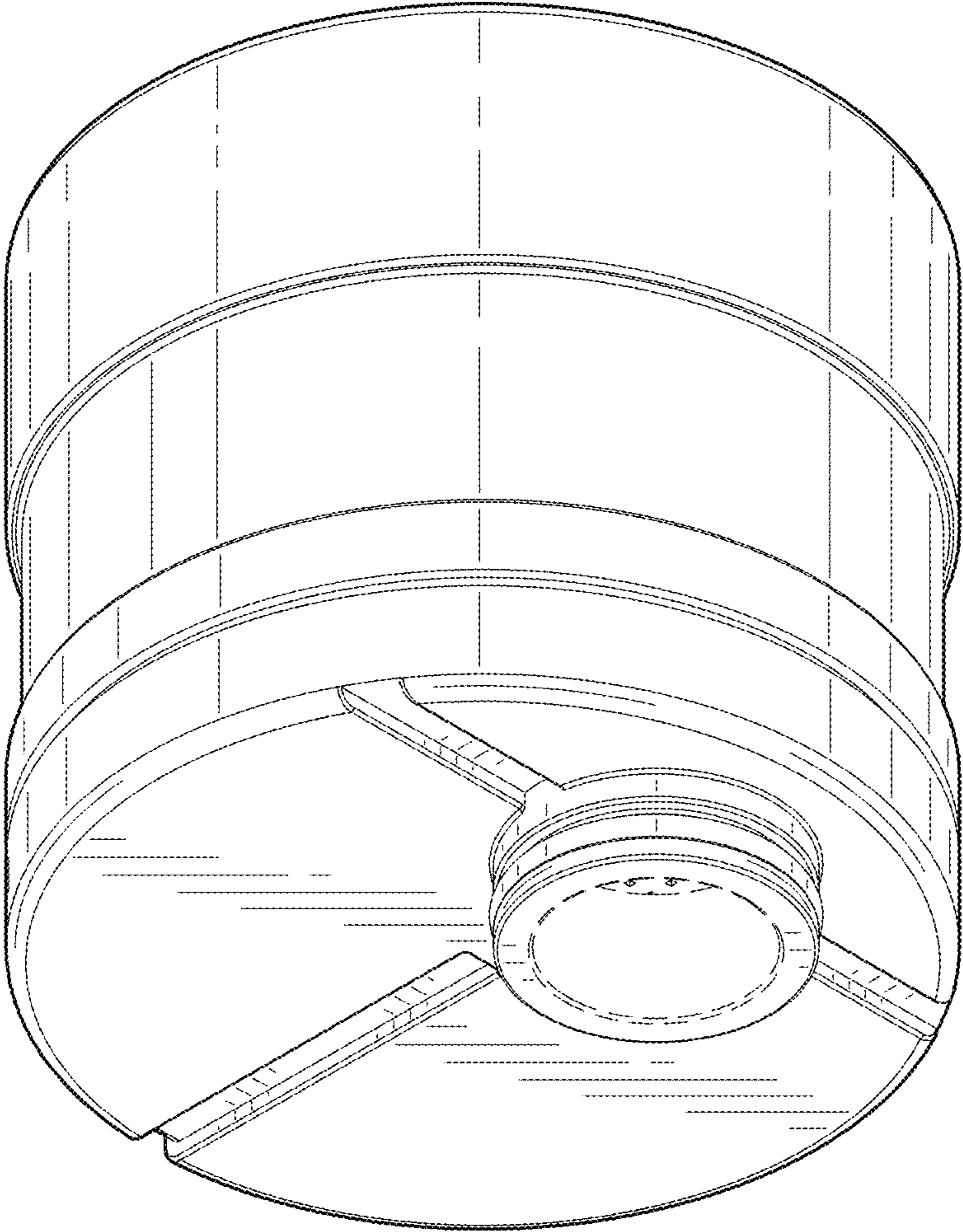


FIG. 4

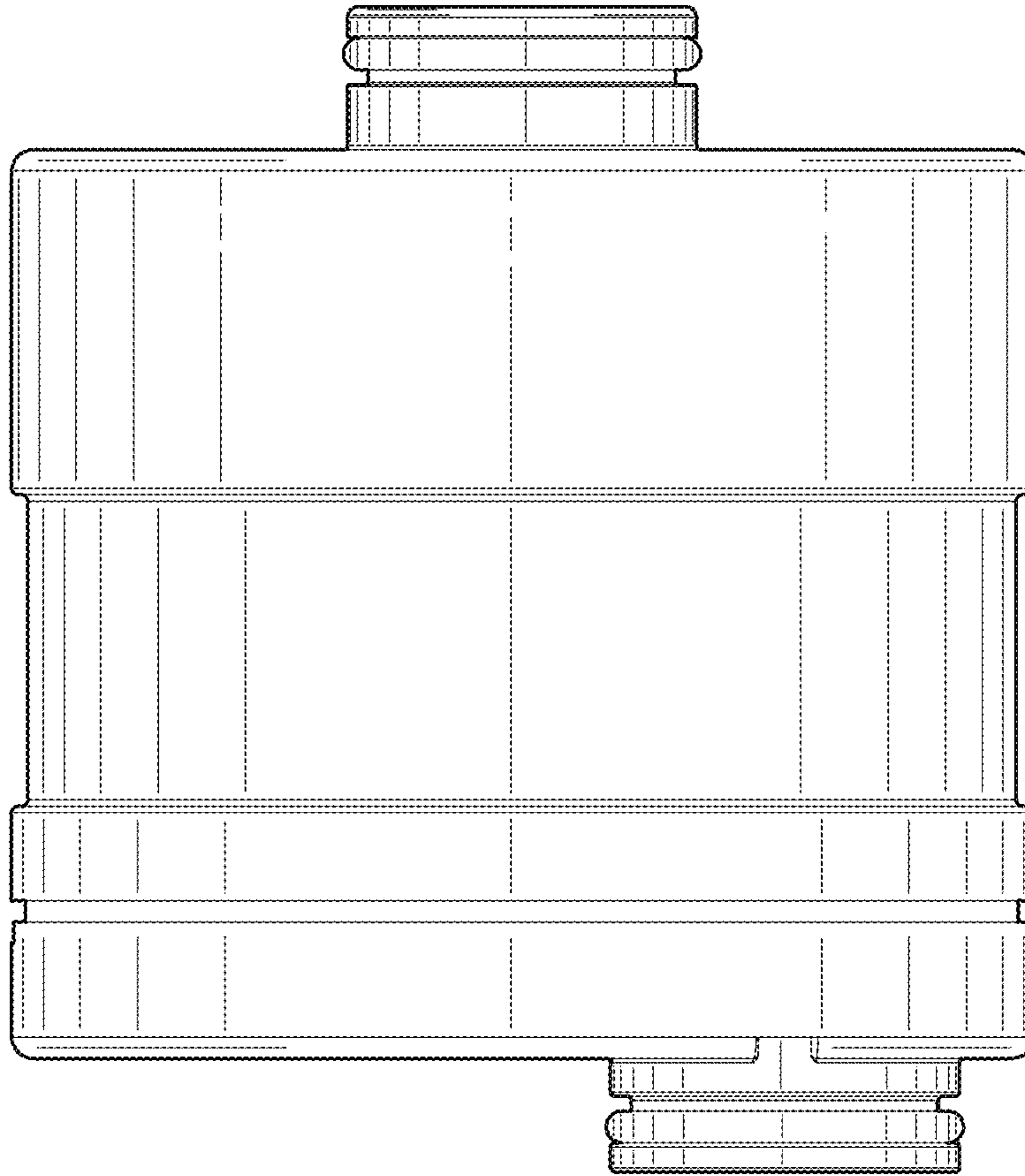


FIG. 5

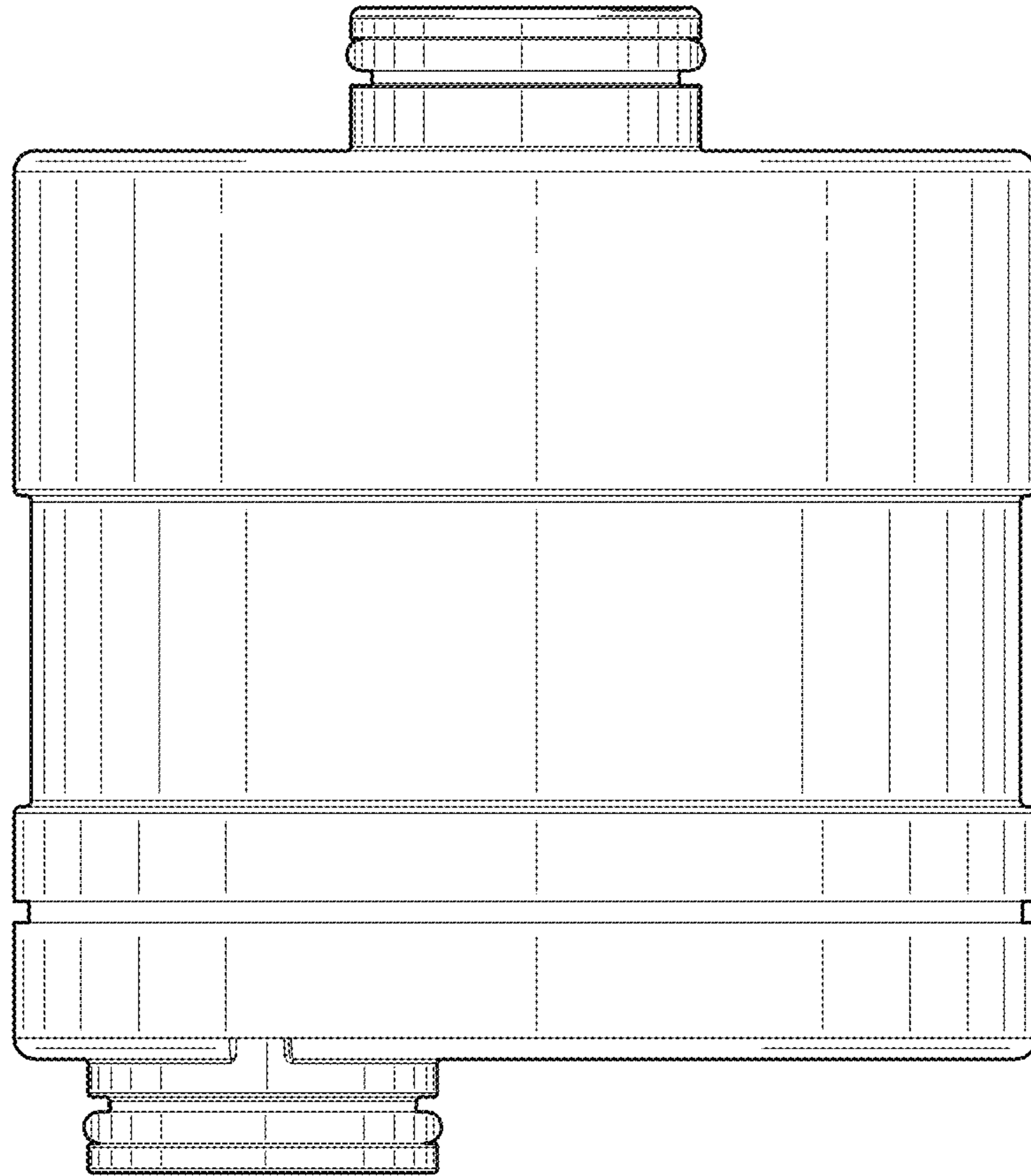


FIG. 6

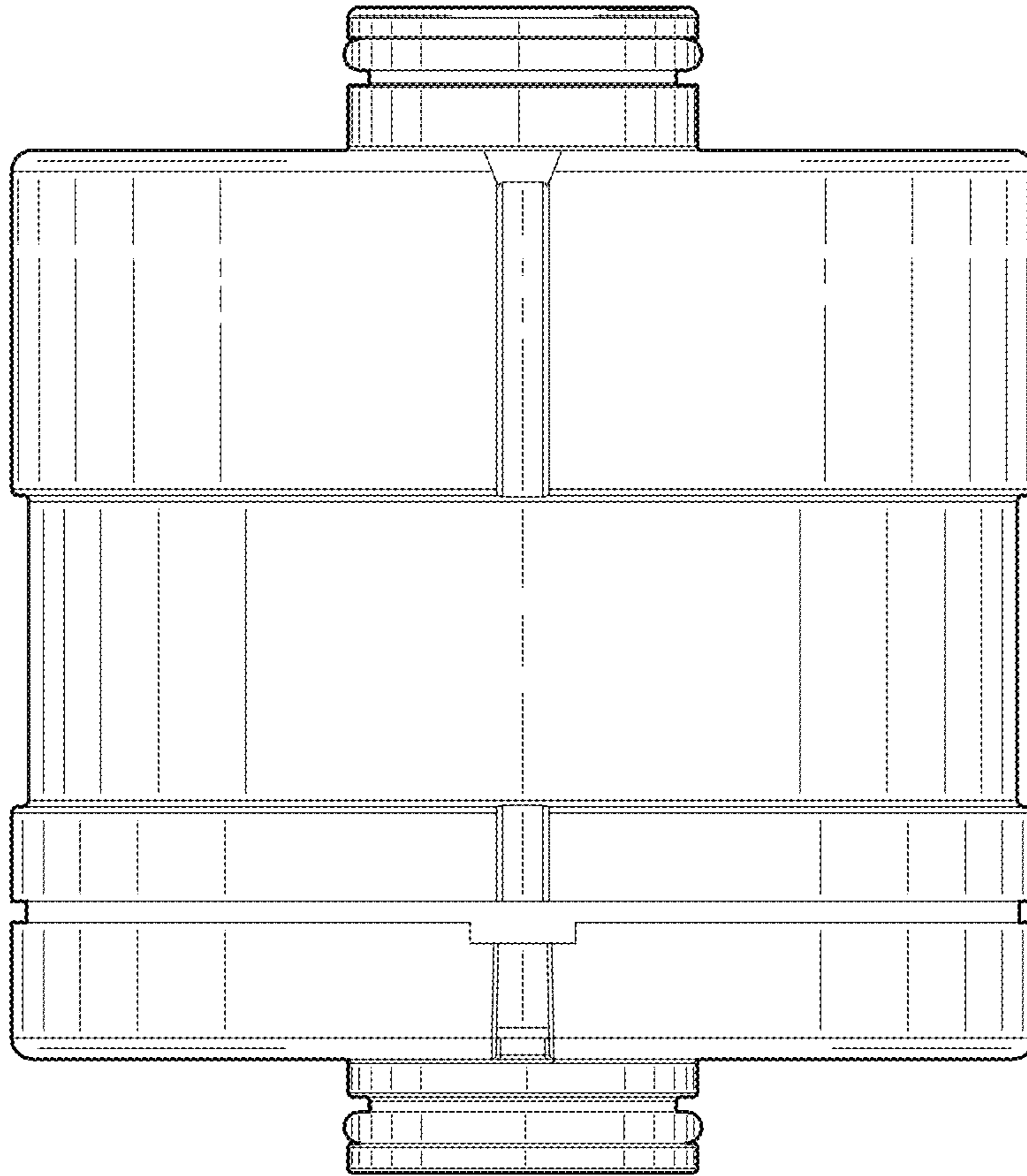


FIG. 7

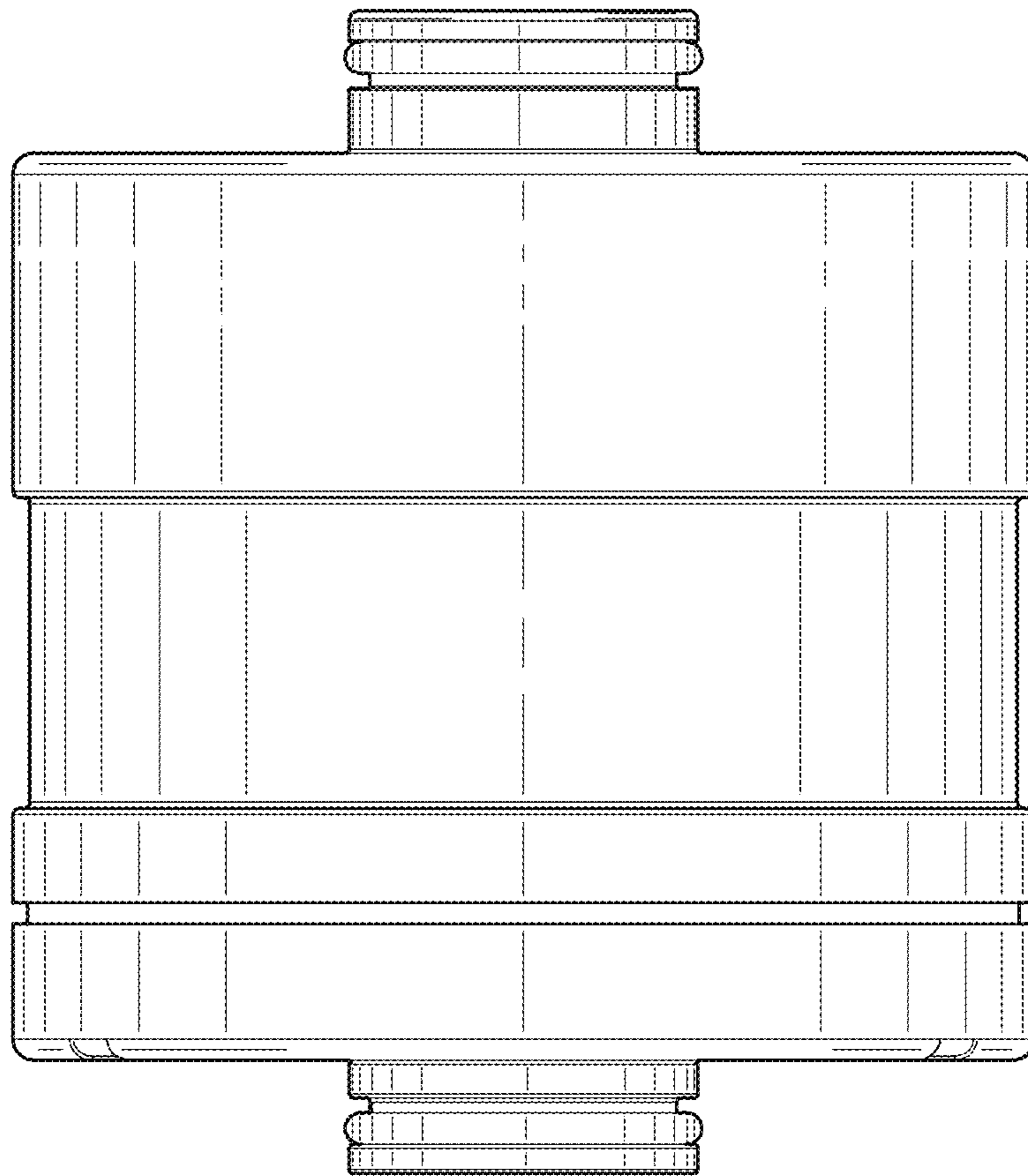


FIG. 8

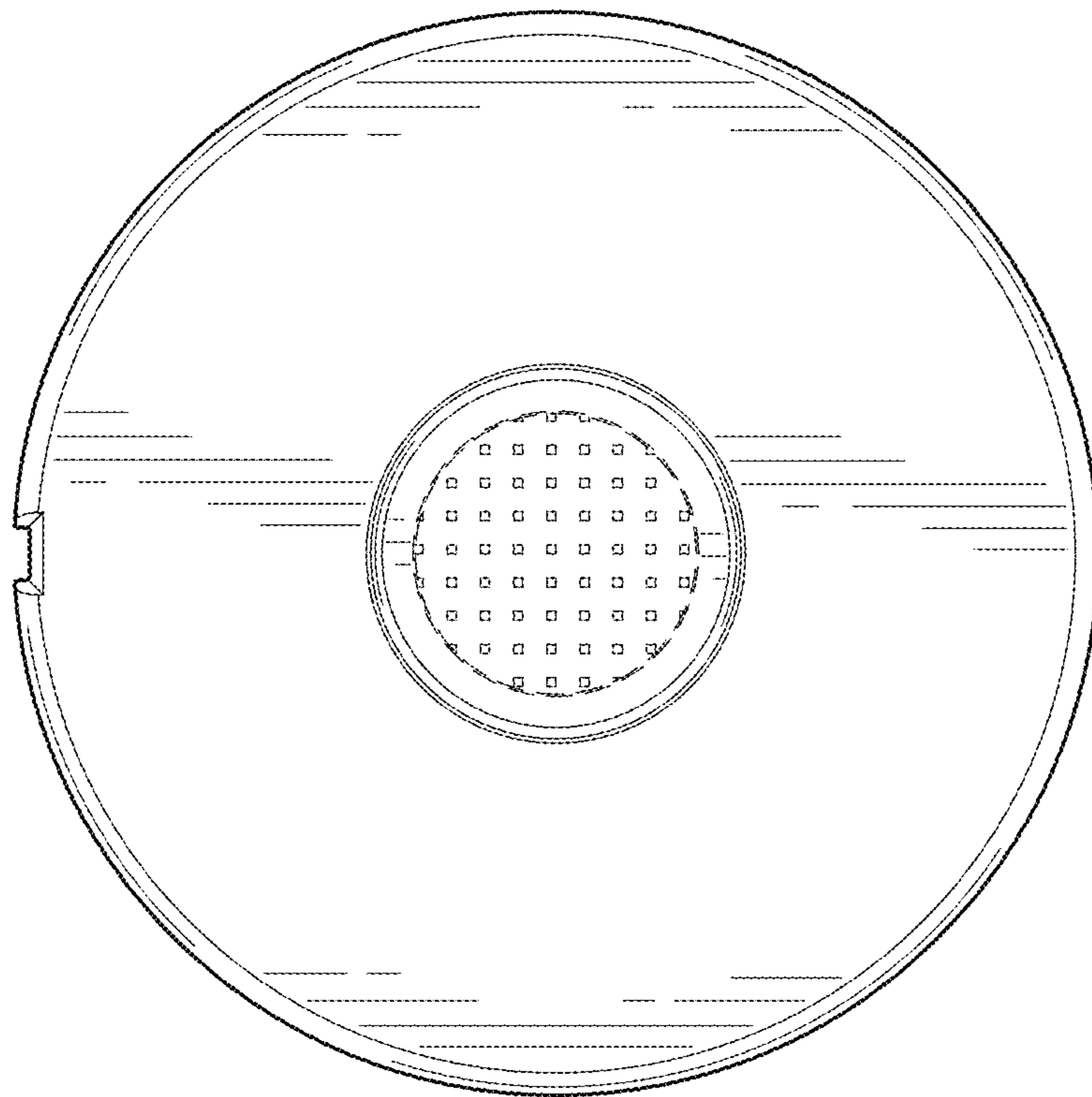


FIG. 9

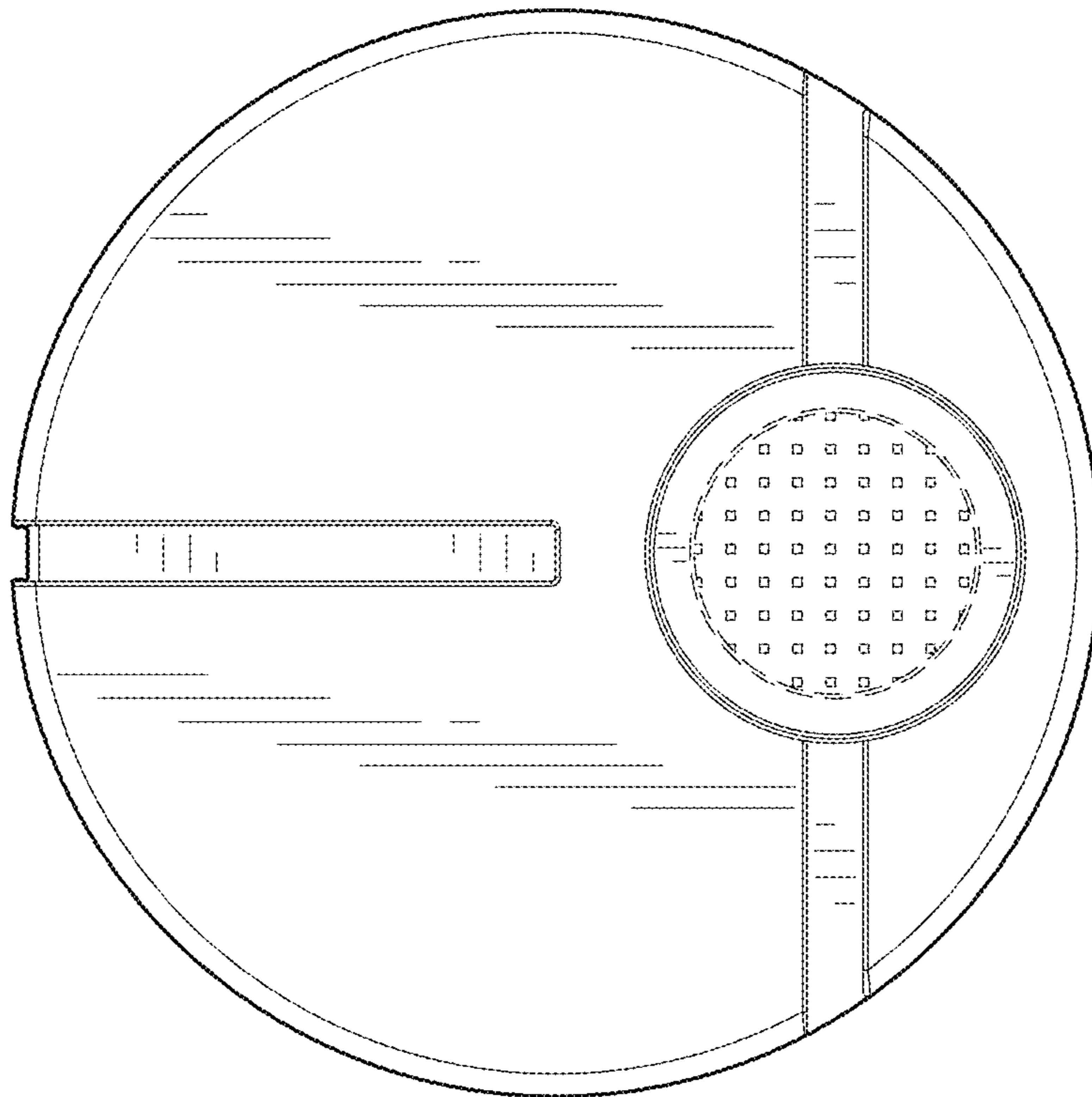


FIG. 10

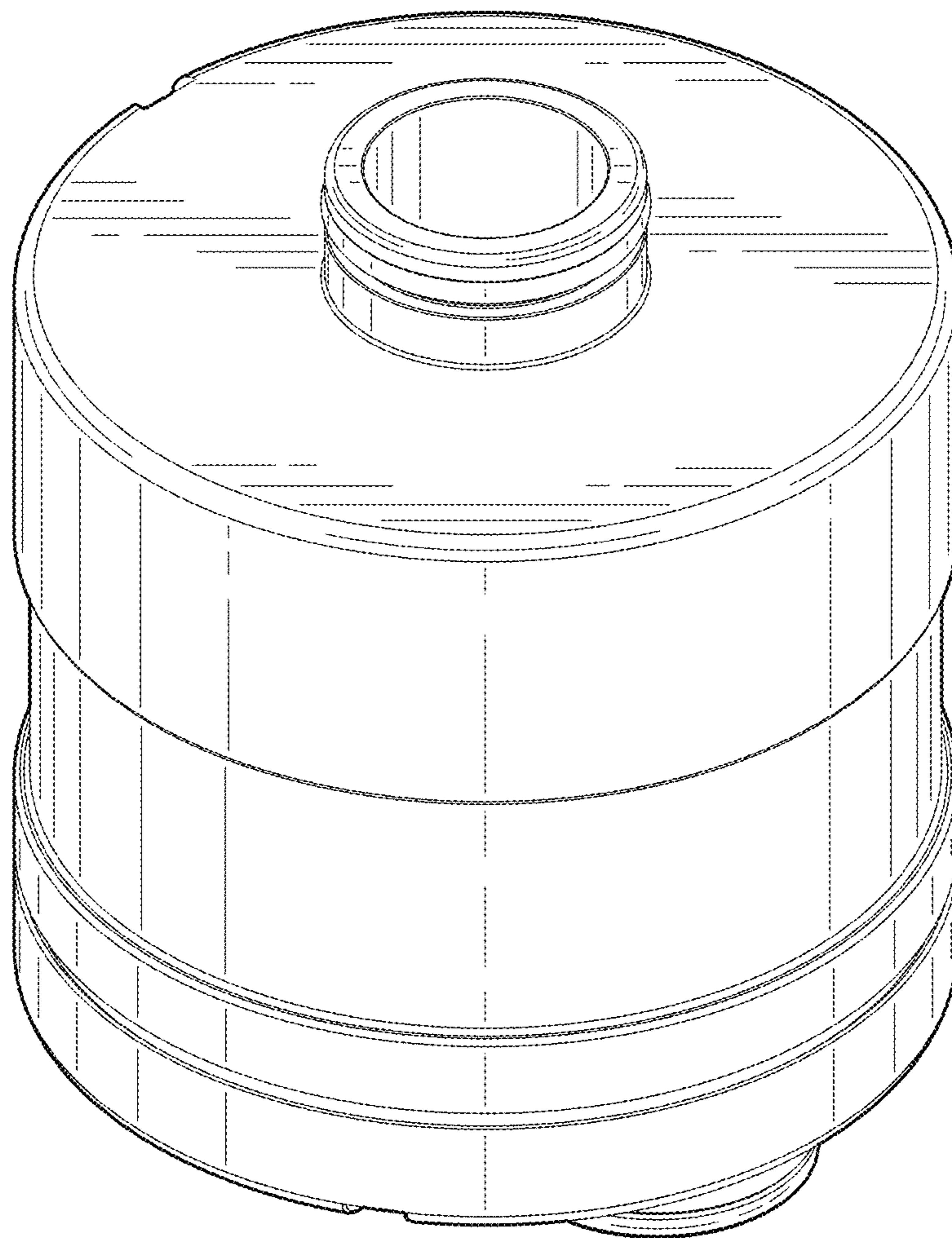


FIG. 11

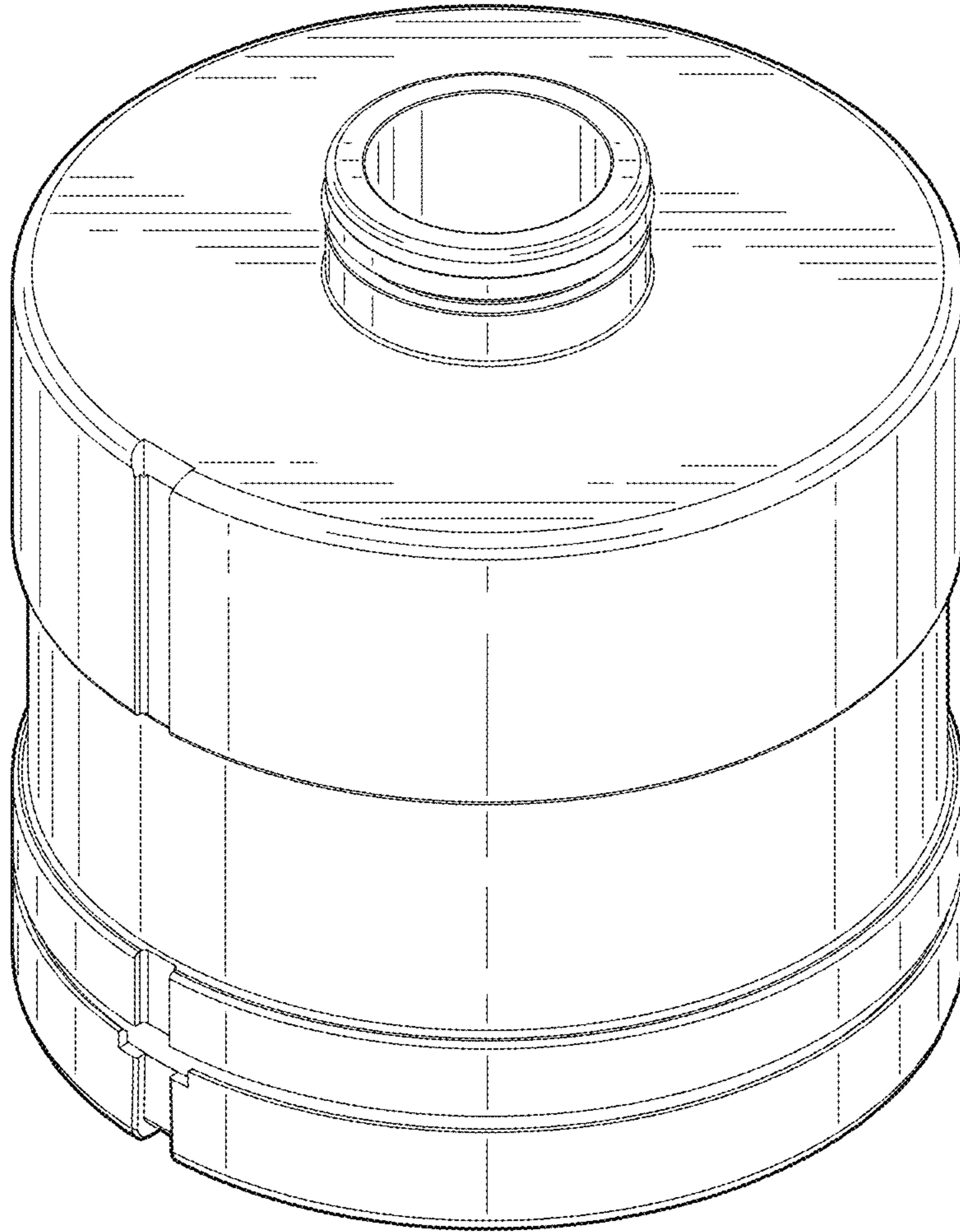


FIG. 12

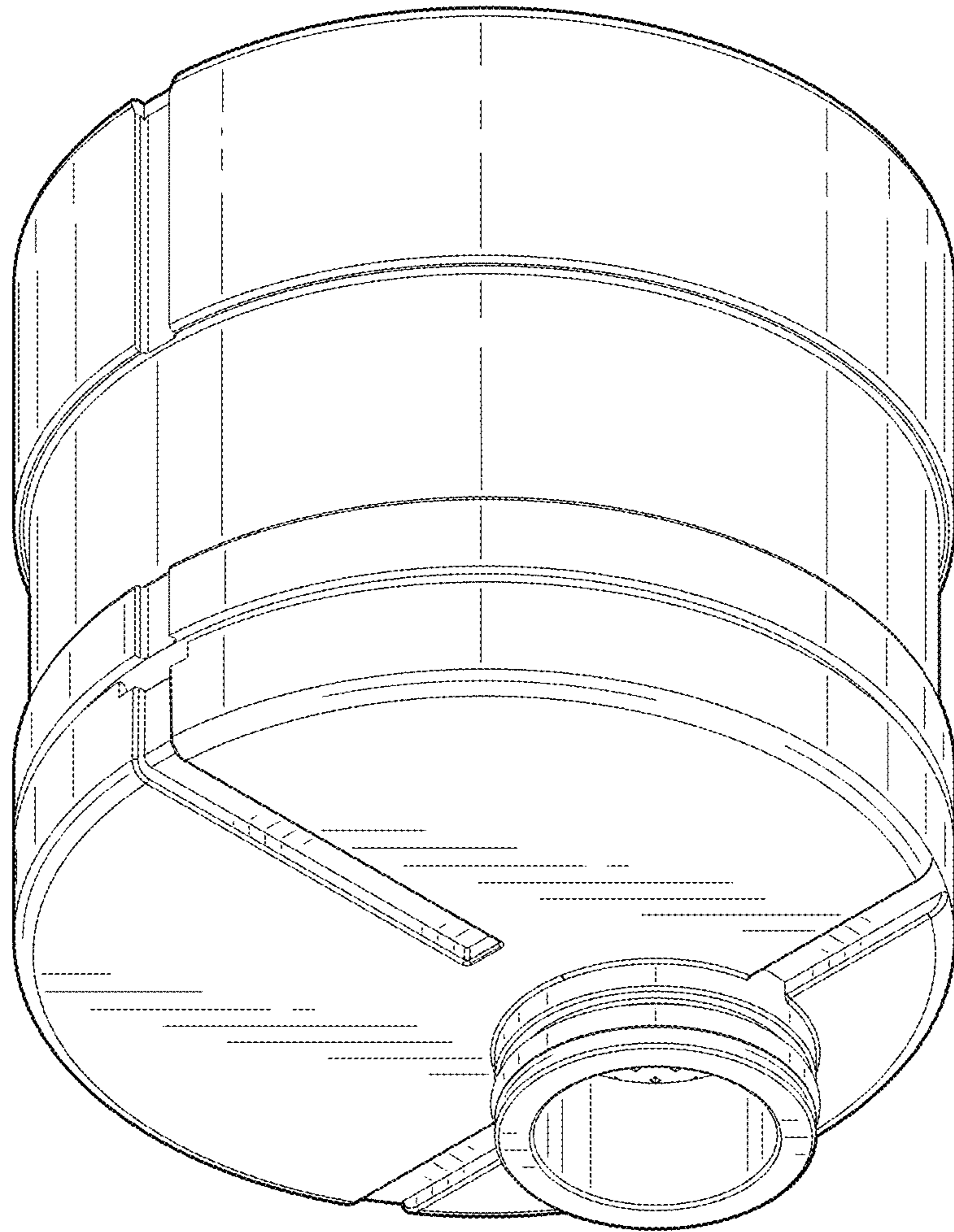


FIG. 13

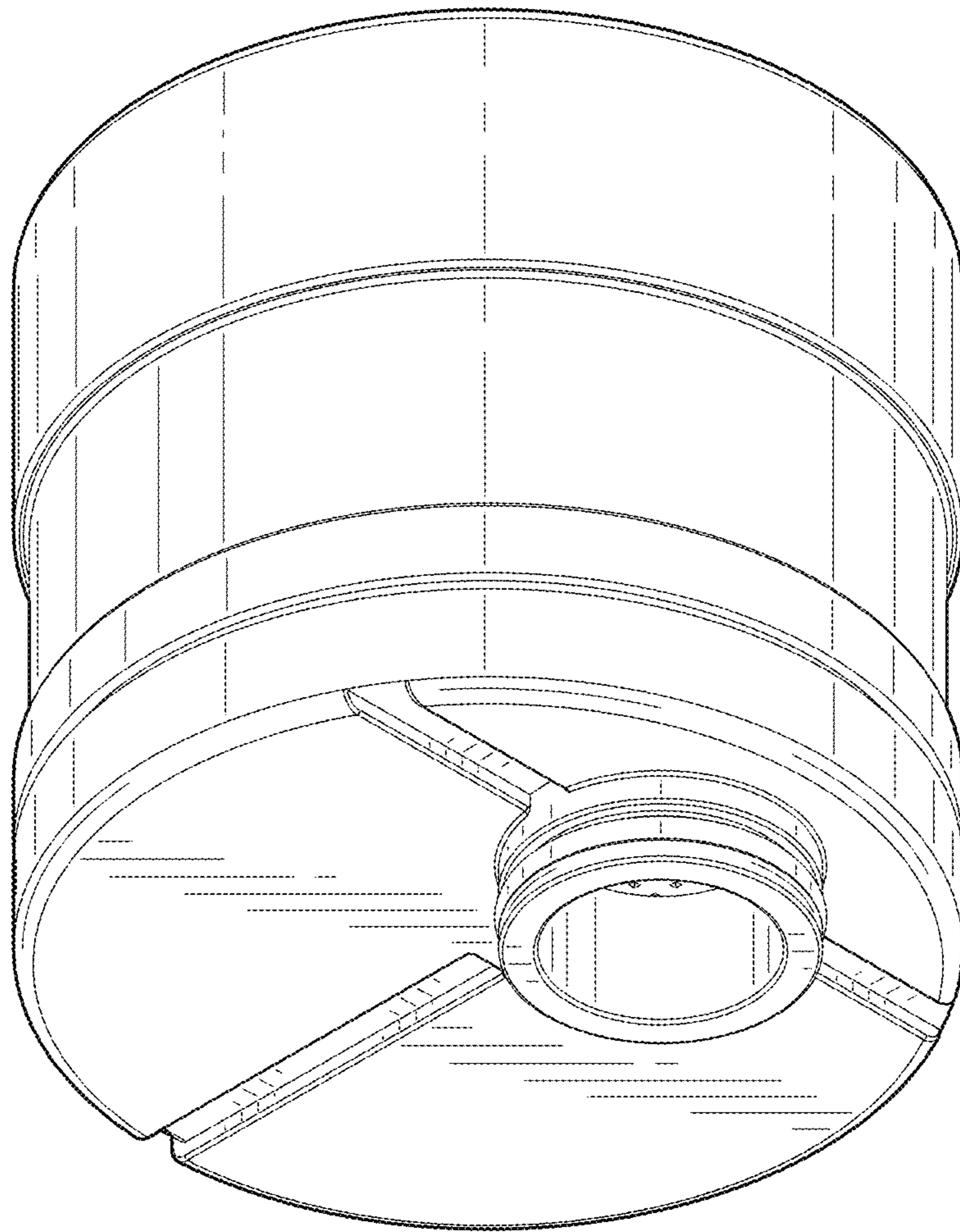


FIG. 14

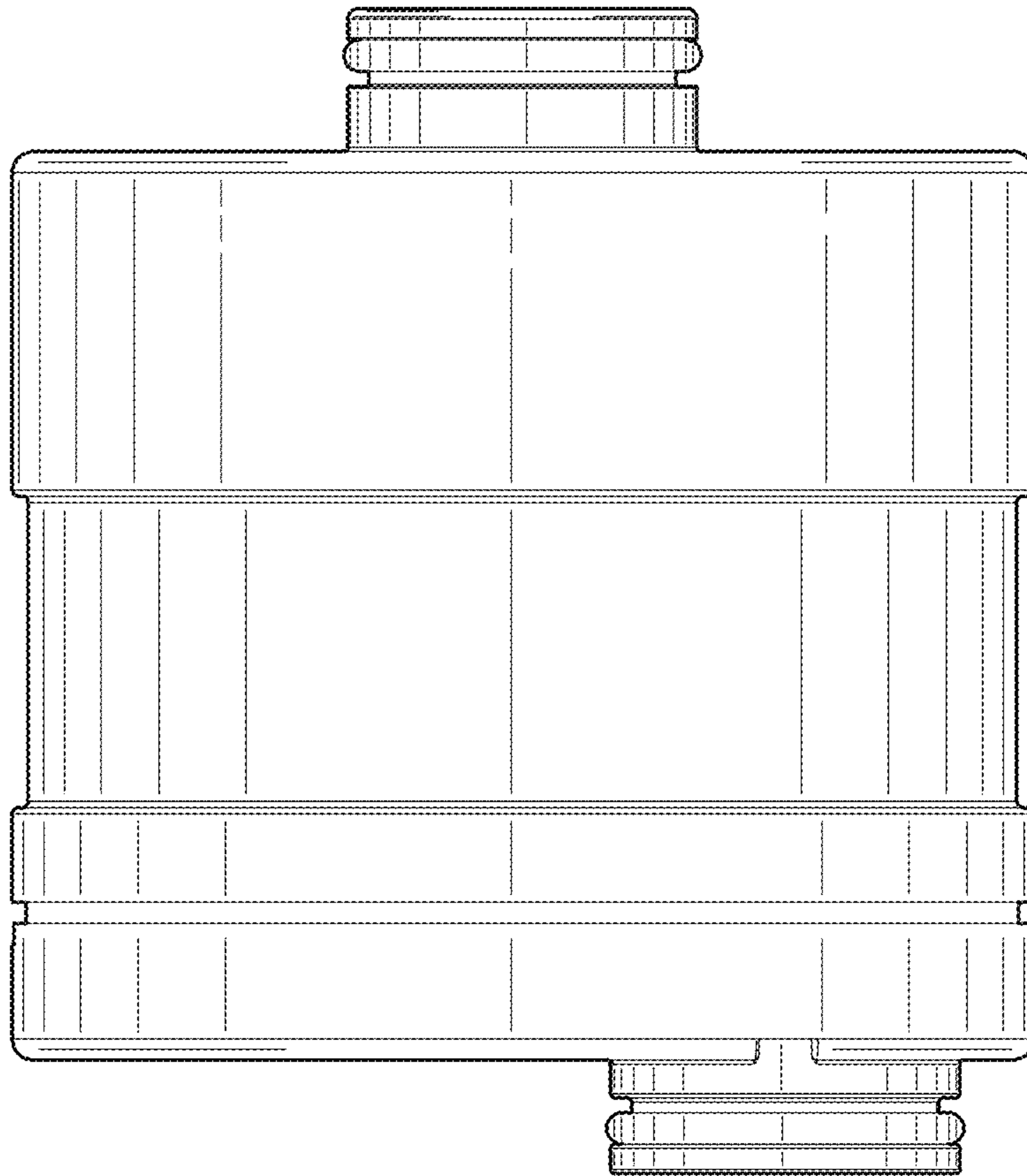


FIG. 15

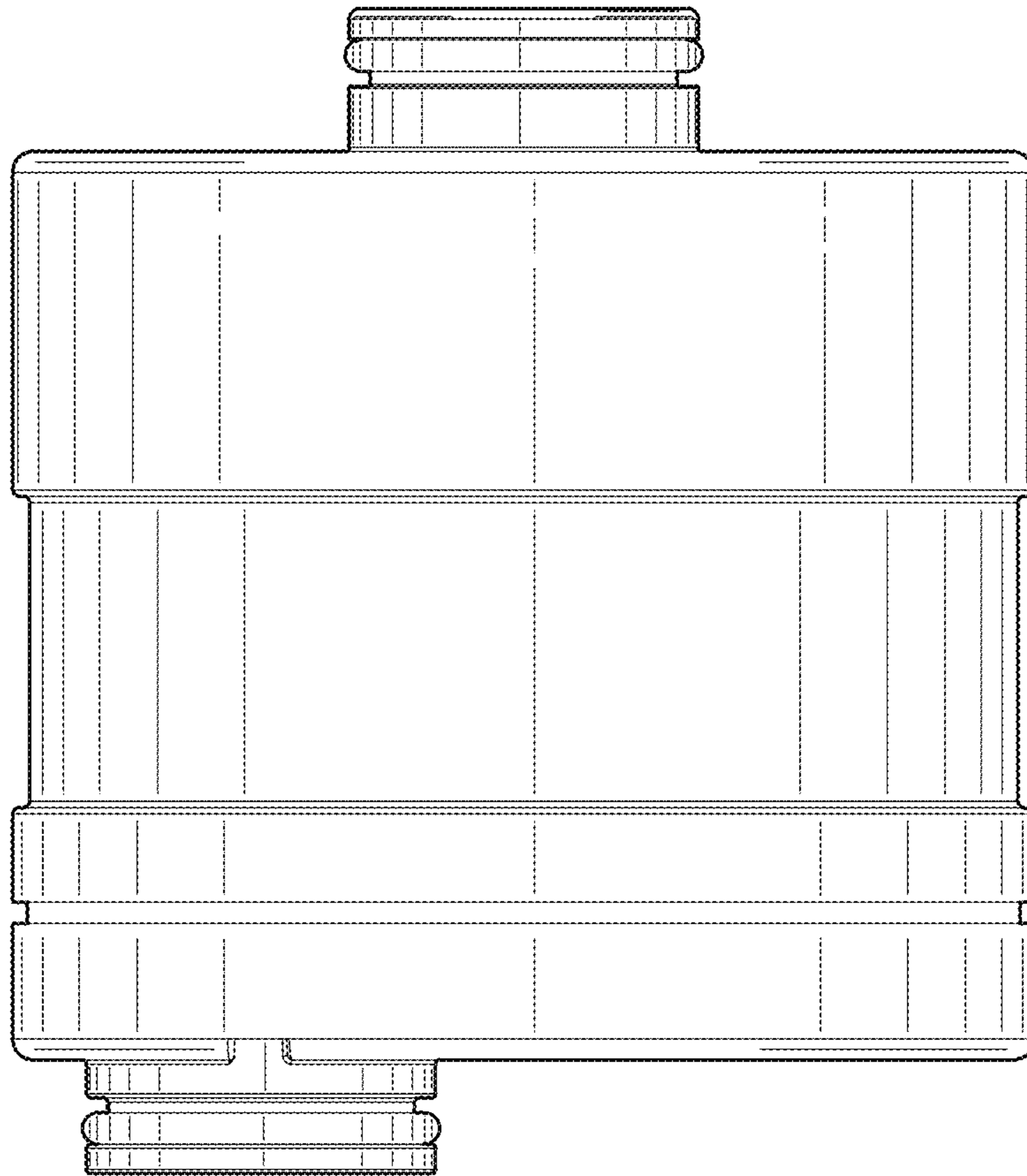


FIG. 16

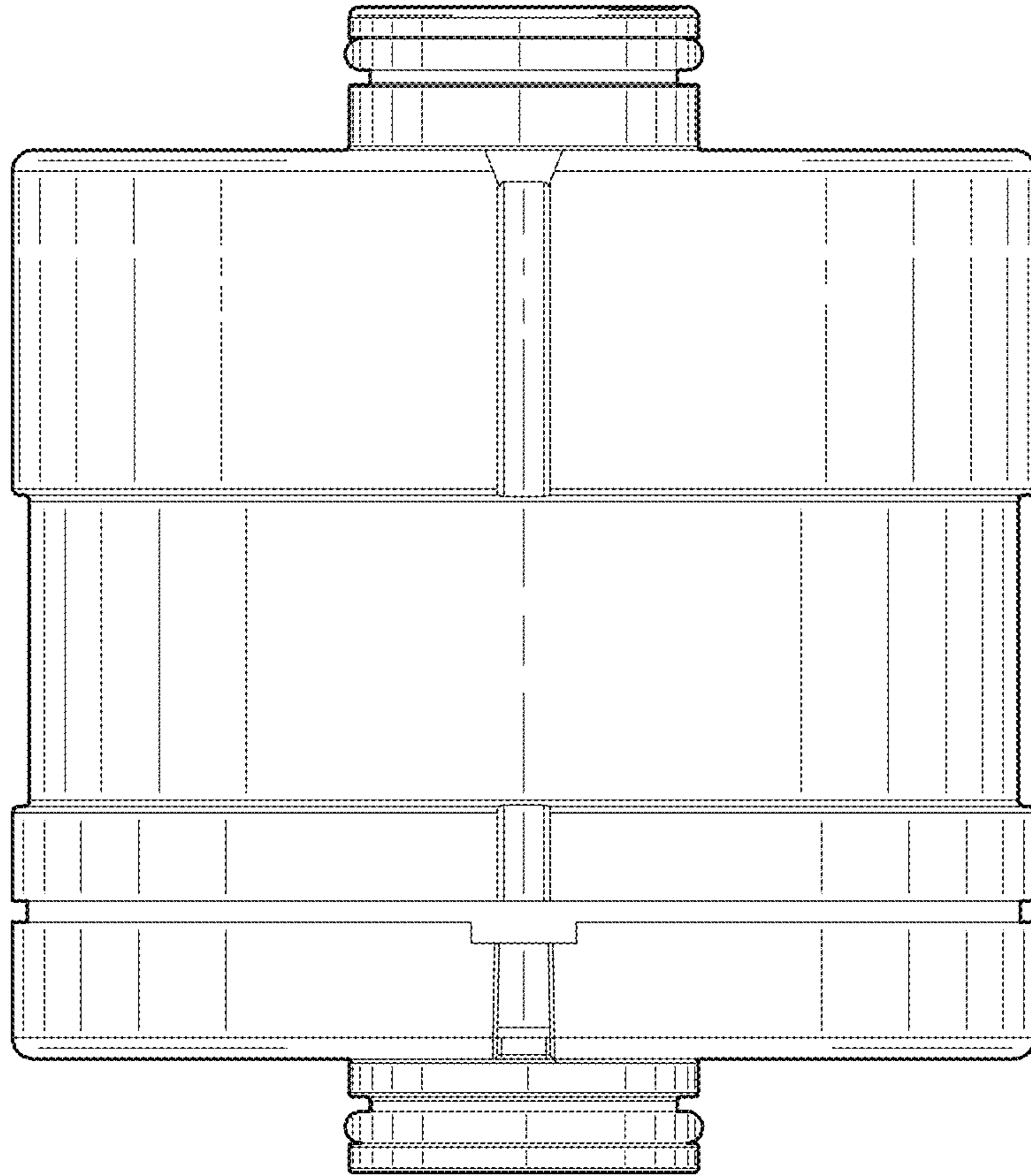


FIG. 17

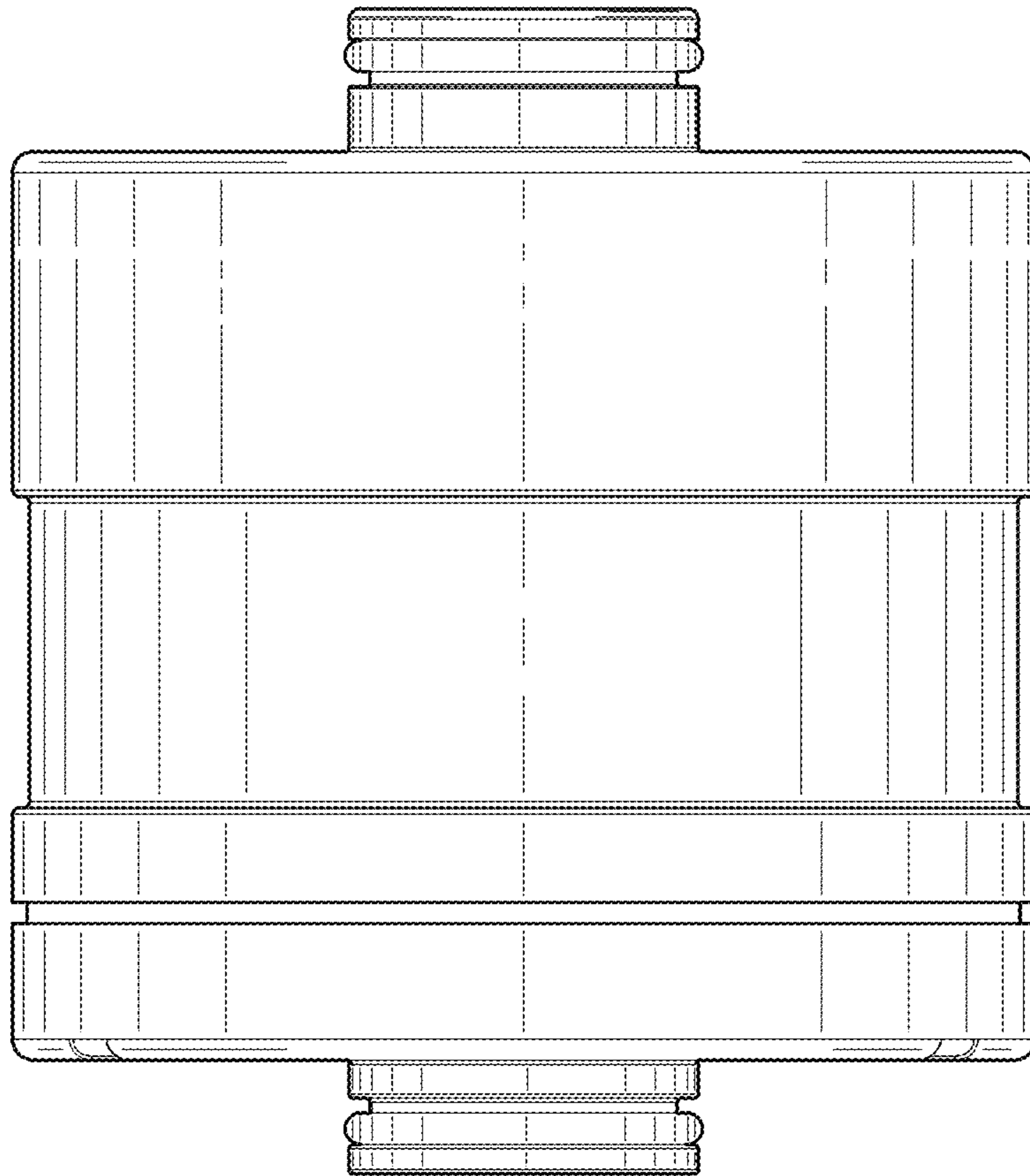


FIG. 18

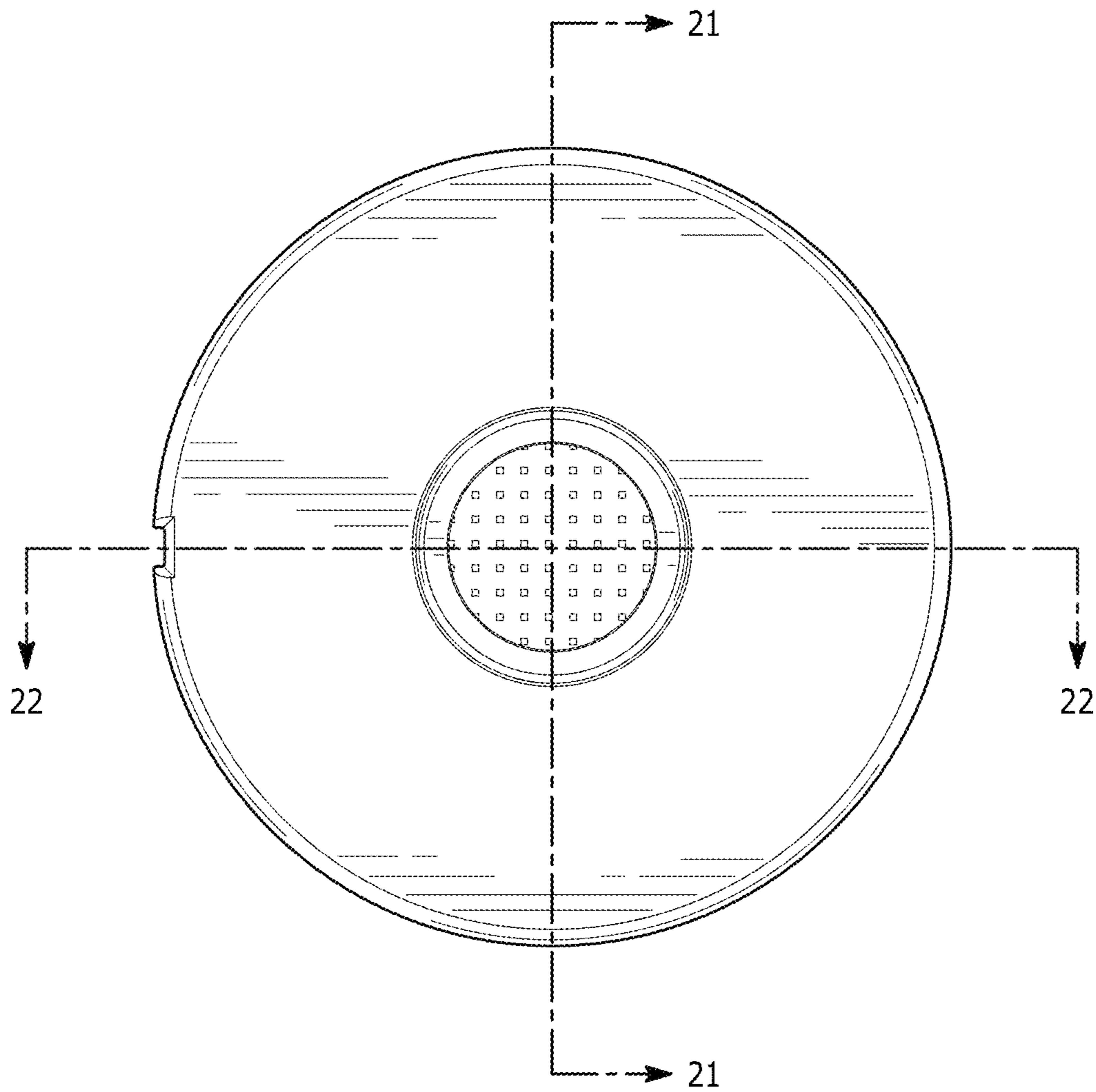


FIG. 19

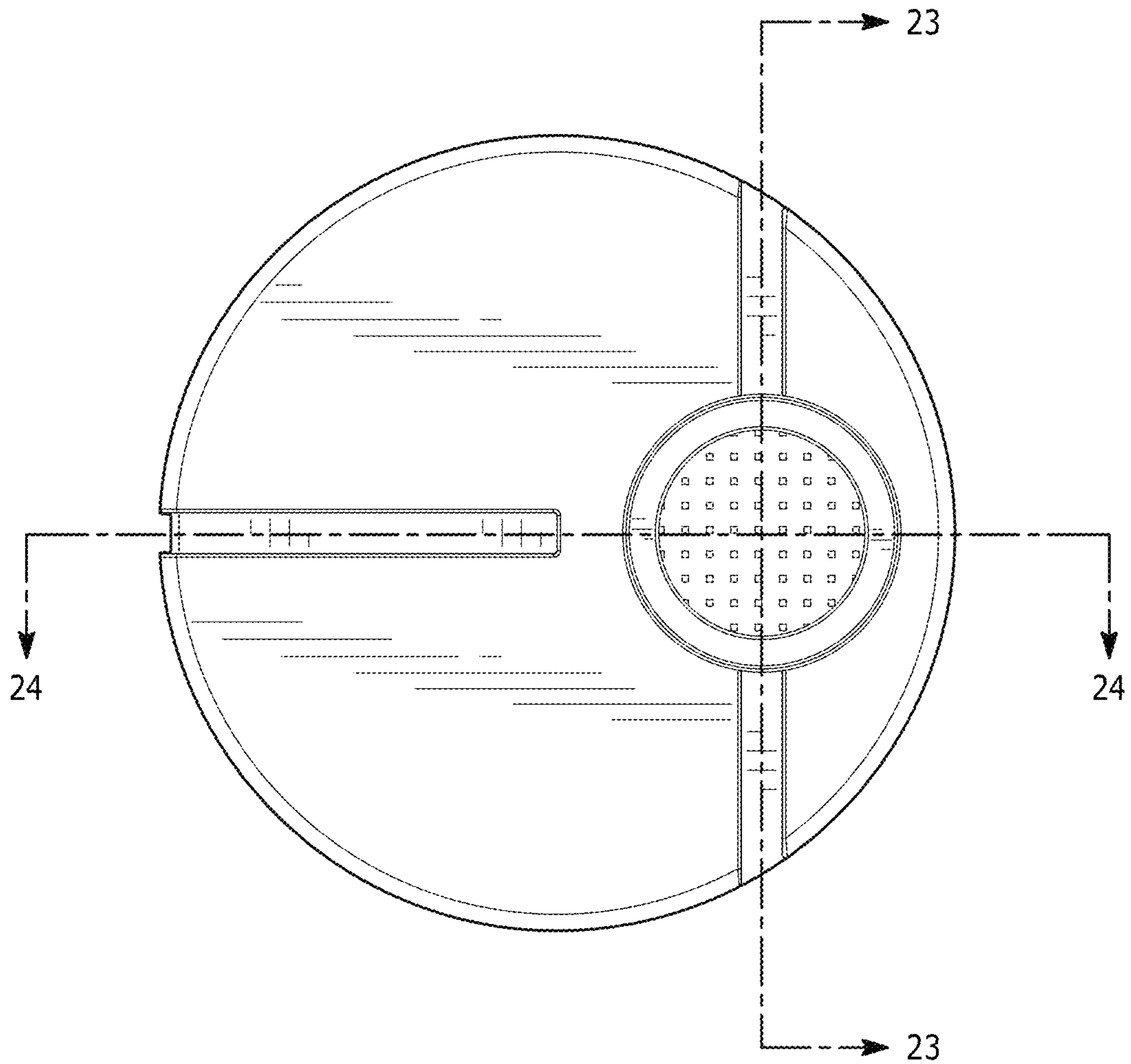


FIG. 20

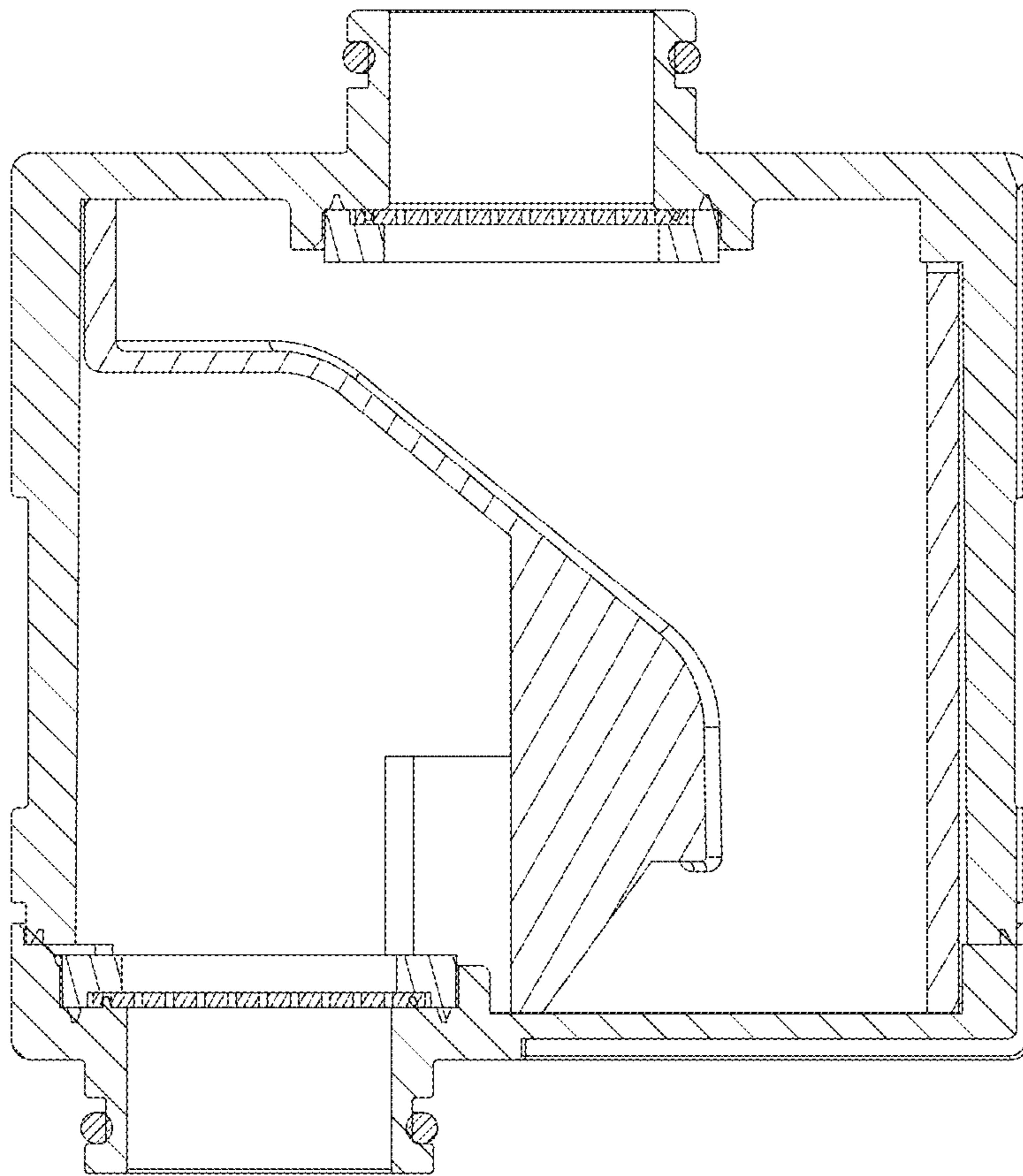


FIG. 21

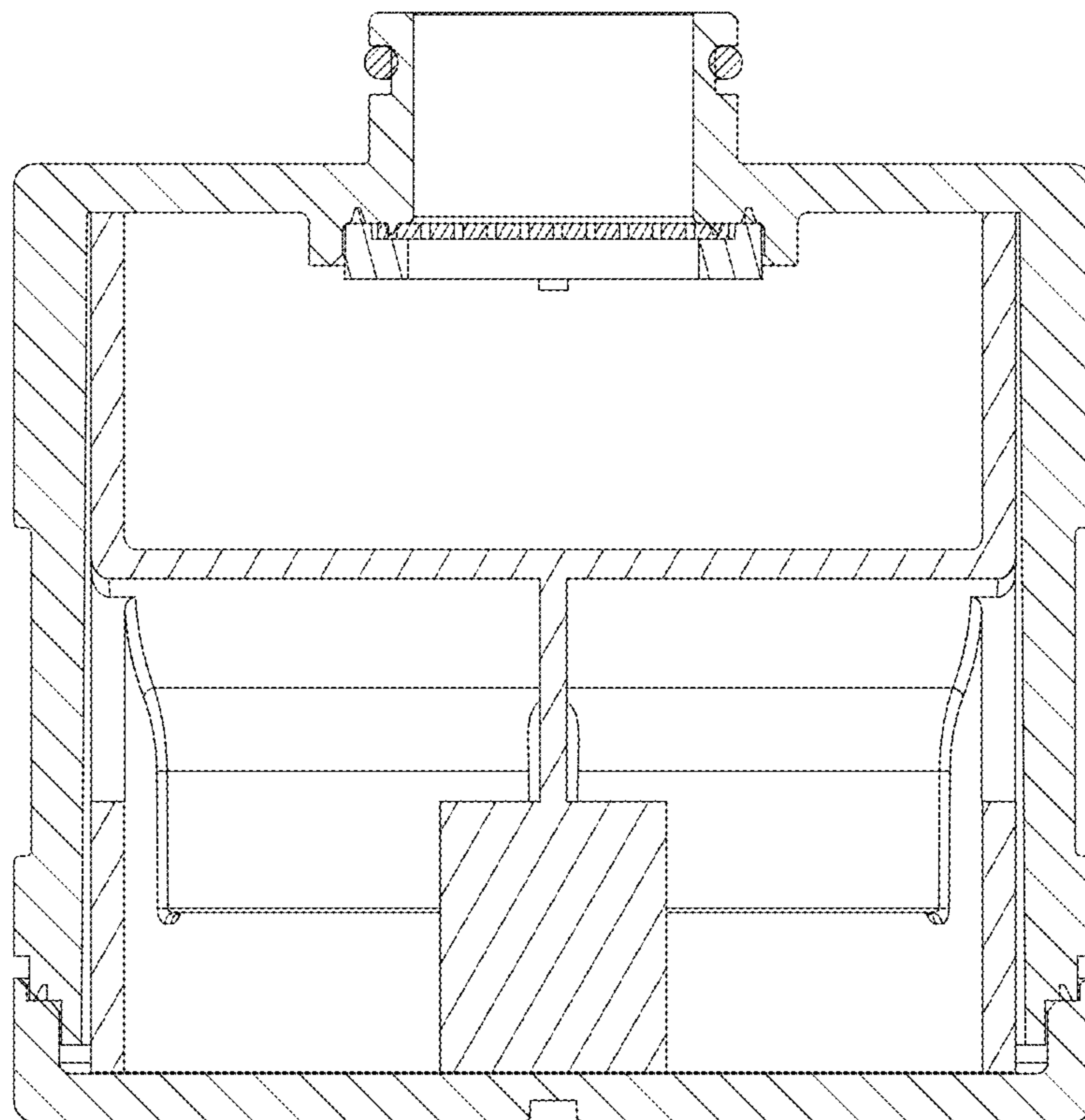


FIG. 22

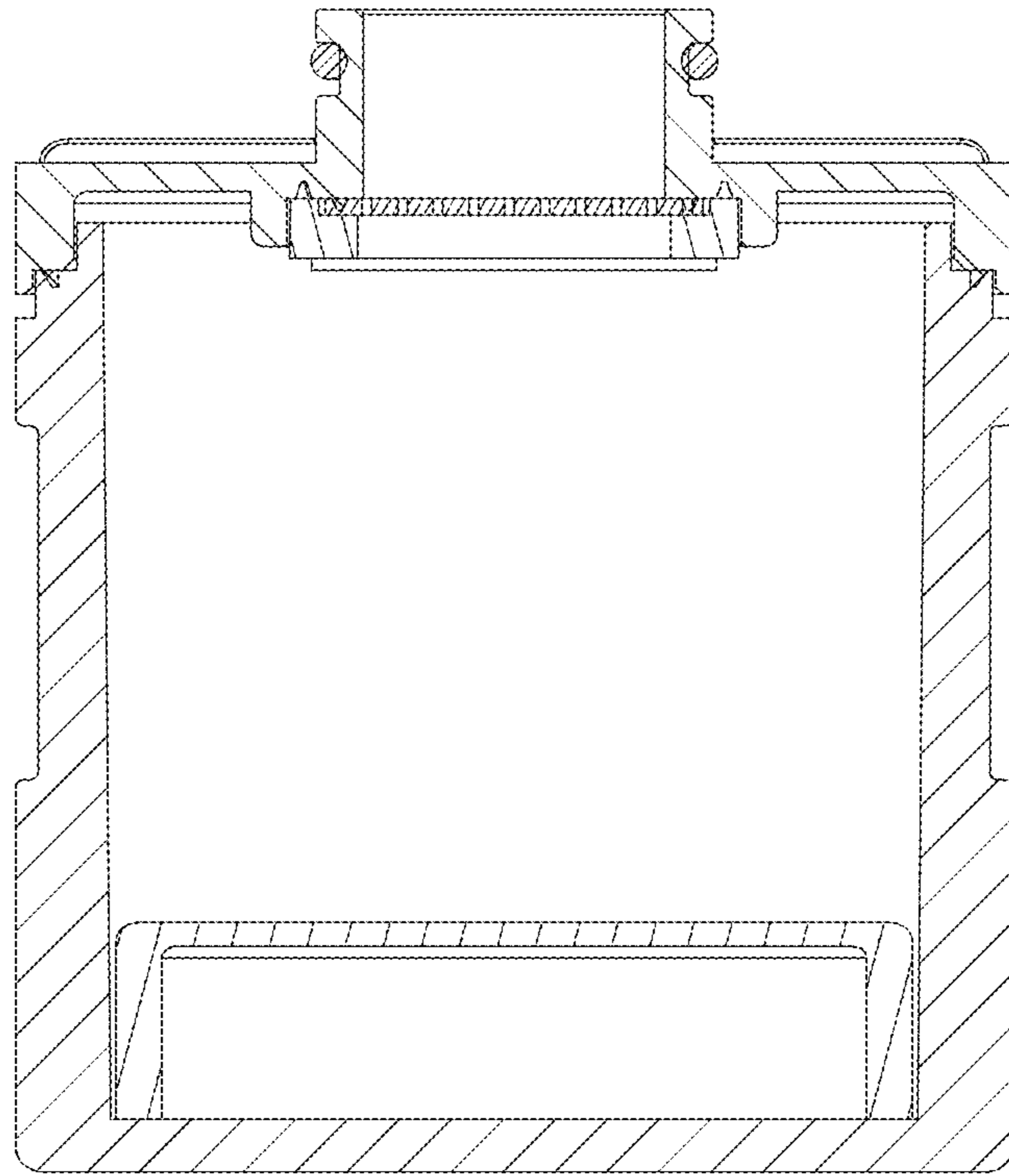


FIG. 23

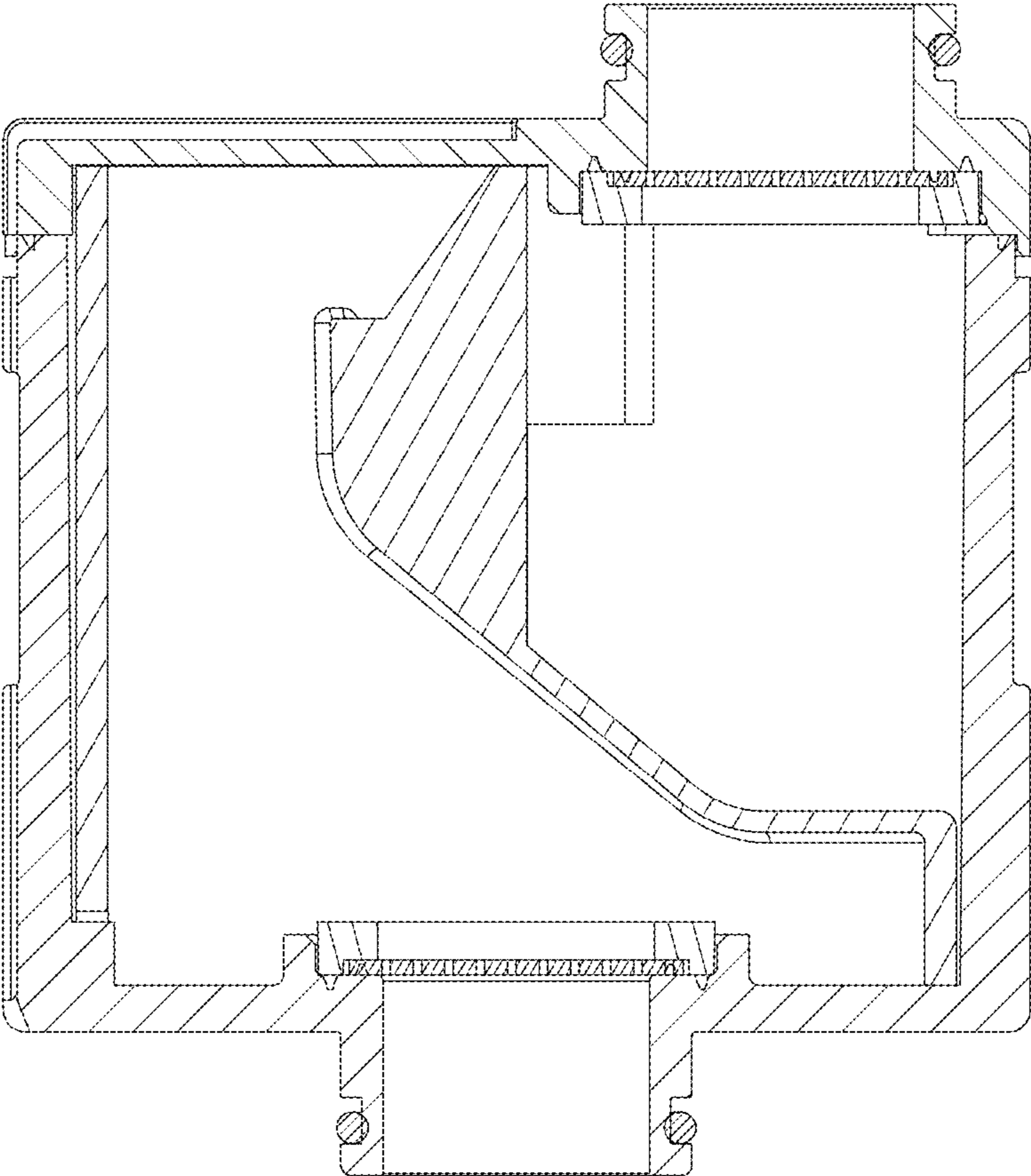


FIG. 24