



US00D791274S

(12) **United States Design Patent**
Gerhards et al.

(10) **Patent No.:** **US D791,274 S**
(45) **Date of Patent:** **** Jul. 4, 2017**

- (54) **TOILET RIM BLOCKS**
- (71) Applicant: **Henkel AG & Co. KGaA**, Duesseldorf (DE)
- (72) Inventors: **Katja Gerhards**, Duesseldorf (DE);
Bodo Warden, Moenchengladbach (DE)
- (73) Assignee: **Henkel AG & Co. KGaA** (DE)
- (**) Term: **15 Years**
- (21) Appl. No.: **29/579,959**
- (22) Filed: **Oct. 4, 2016**

- D451,978 S 12/2001 Hood et al.
- D506,805 S 6/2005 Nguyen et al.
- D507,628 S 7/2005 McLellan et al.
- D508,106 S 8/2005 Nguyen et al.
- D512,480 S 12/2005 Nguyen et al.
- D520,103 S 5/2006 Johnson et al.
- D523,923 S 6/2006 Nguyen et al.
- D548,305 S 8/2007 King et al.
- D556,854 S 12/2007 Cheung et al.
- D613,368 S 4/2010 Padain et al.
- D655,778 S 3/2012 Muehlhausen
- D656,575 S 3/2012 Muehlhausen
- D656,576 S 3/2012 Muehlhausen
- D659,793 S 5/2012 Muehlhausen
- D679,778 S 4/2013 Gerhards
- D689,167 S 9/2013 Gerhards
- D690,793 S 10/2013 Wortley et al.
- D720,427 S 12/2014 Wang et al.
- D720,428 S 12/2014 Wang et al.
- D720,830 S 1/2015 Wang et al.
- D748,222 S 1/2016 Gerhards

(Continued)

Related U.S. Application Data

- (62) Division of application No. 35/500,160, filed on Jul. 13, 2015 (U.S. filing date under 35 U.S.C. 384), and having an international filing date of Jul. 13, 2015, now Pat. No. Des. 772,378.

- (51) **LOC (10) Cl.** **23-01**
- (52) **U.S. Cl.**
USPC **D23/208**

- (58) **Field of Classification Search**
USPC D23/208, 355-369; 261/DIG. 17, 261/DIG. 42, DIG. 65, DIG. 88, DIG. 89; 239/34, 44, 53, 55, 56, 326; 392/386, 392/390, 392, 394, 395
CPC A61L 9/00; A61L 9/02; A61L 9/03; A61L 9/032; A61L 9/035; A61L 9/037; A61L 9/04; A61L 9/12; A61L 9/22
See application file for complete search history.

(56) **References Cited**

U.S. PATENT DOCUMENTS

- D212,420 S 10/1968 Wilson
- D212,753 S 11/1968 Tughan

Primary Examiner — Keli L Hill

(74) *Attorney, Agent, or Firm* — P. Scott Smith

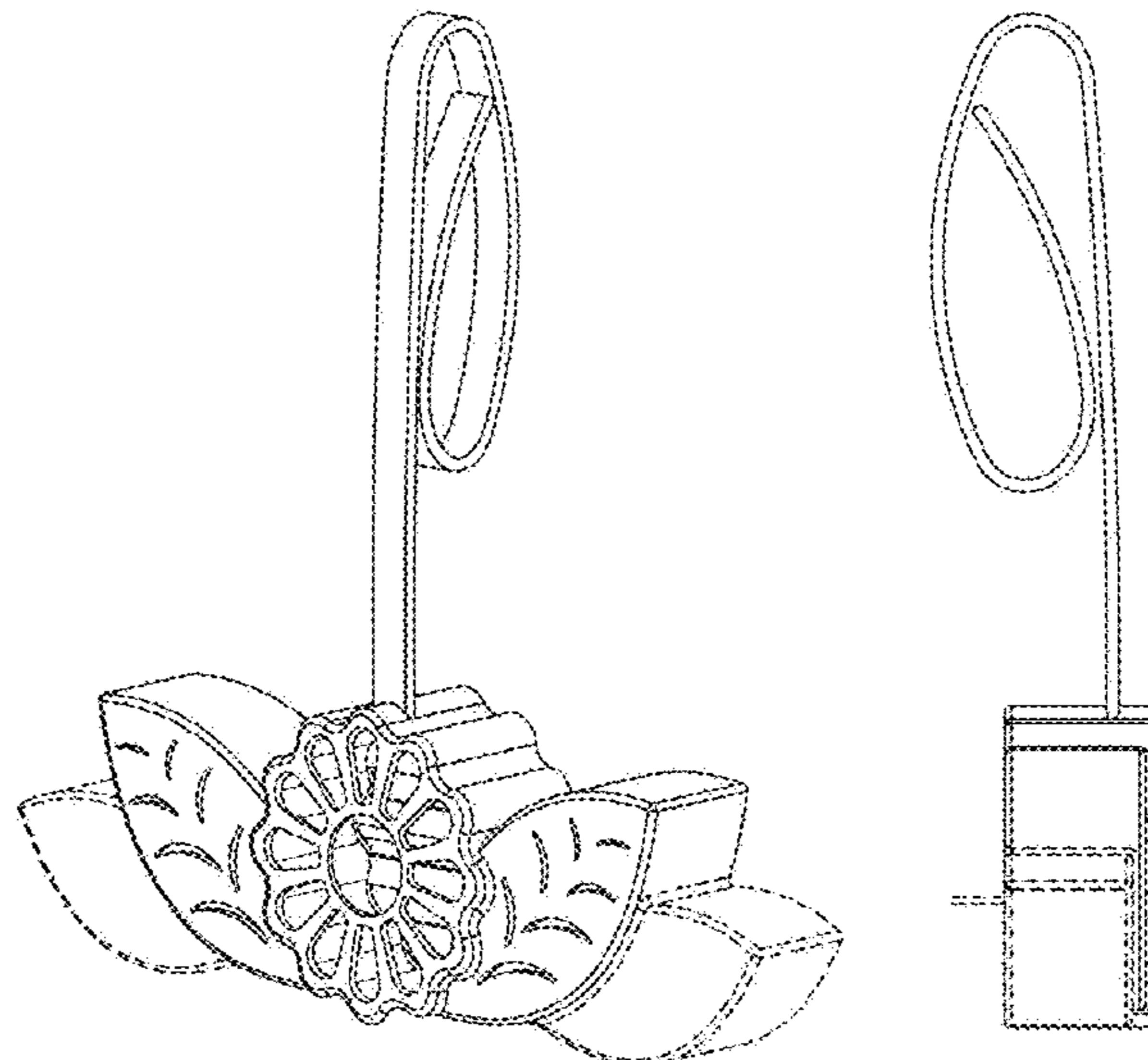
(57) **CLAIM**

The ornamental design for toilet rim blocks, as shown and described.

DESCRIPTION

FIG. 1 is a front perspective view of toilet rim blocks embodying our new design;
 FIG. 2 is a front side elevation view thereof;
 FIG. 3 is a rear side elevation view thereof;
 FIG. 4 is a left side elevation view thereof;
 FIG. 5 is a right side elevation view thereof;
 FIG. 6 is a top plan view thereof; and,
 FIG. 7 is a bottom plan view thereof.
 The broken lines shown are included for the purpose of illustrating portions of the toilet rim blocks that form no part of the claim.

1 Claim, 5 Drawing Sheets



(56)

References Cited

U.S. PATENT DOCUMENTS

D751,683 S 3/2016 Furner et al.
D772,376 S * 11/2016 Gerhards D23/208
D772,377 S * 11/2016 Gerhards D23/208
D772,378 S * 11/2016 Gerhards D23/208
2012/0047640 A1 3/2012 Warkotsch et al.

* cited by examiner

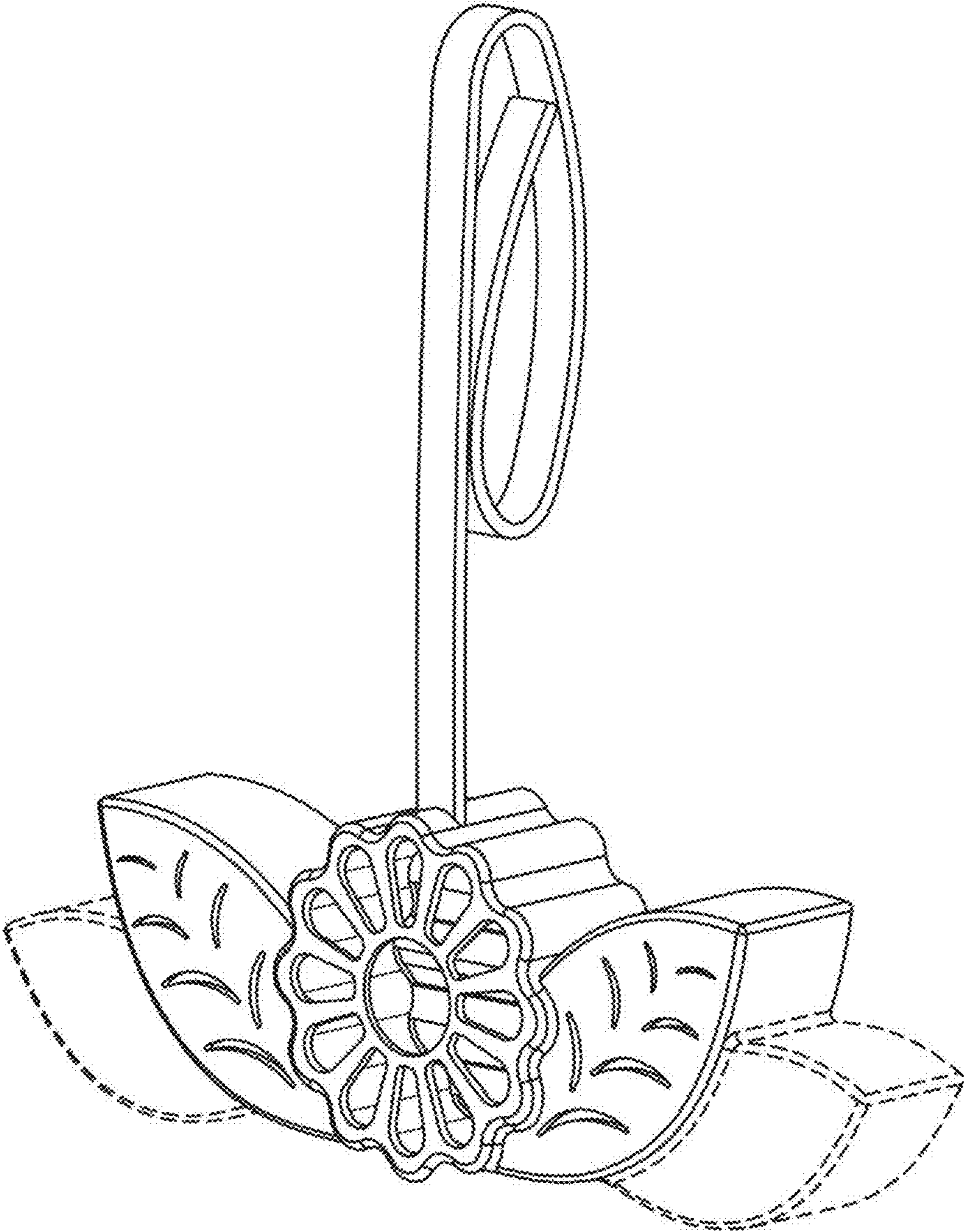


FIG. 1

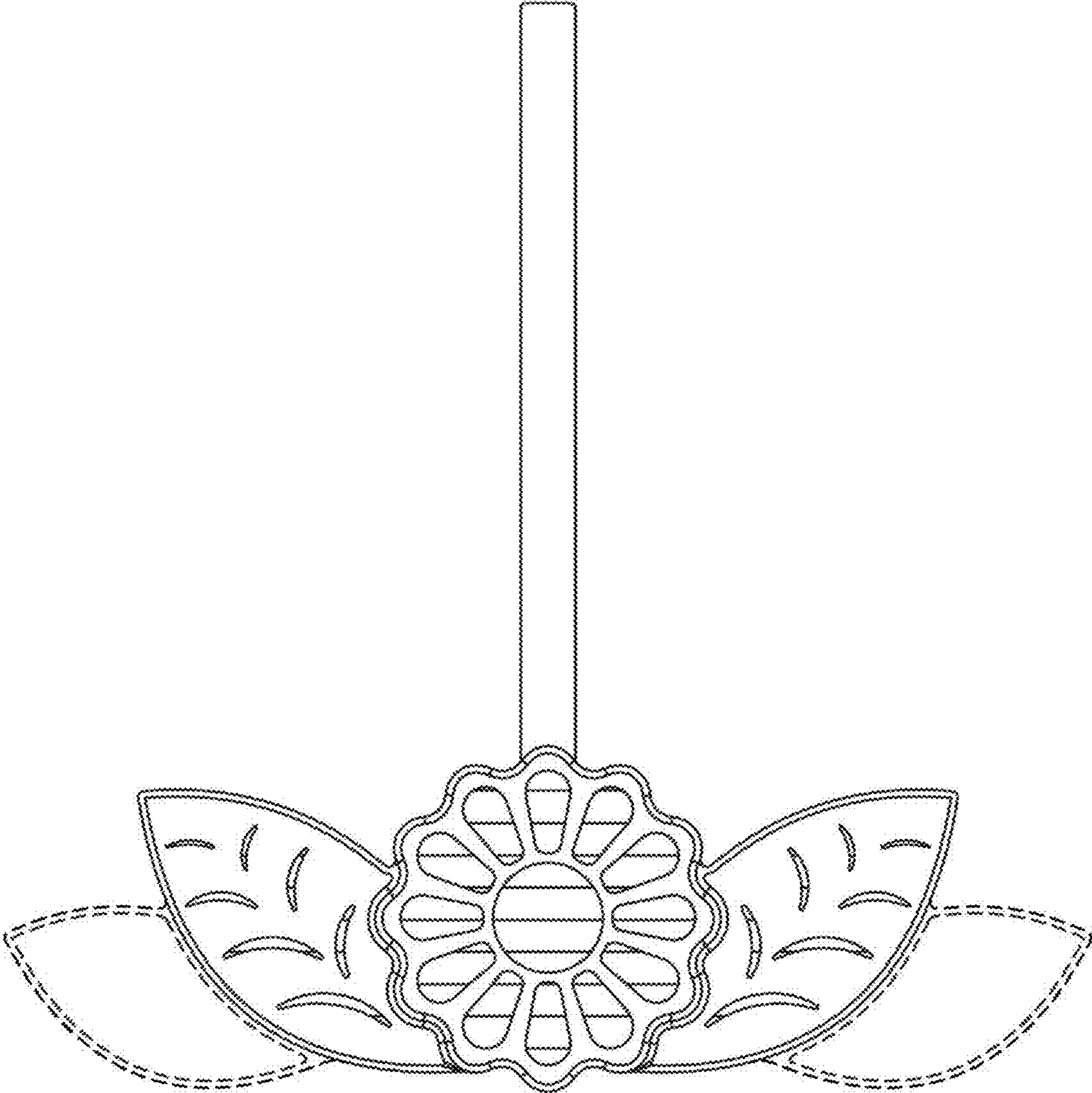


FIG. 2

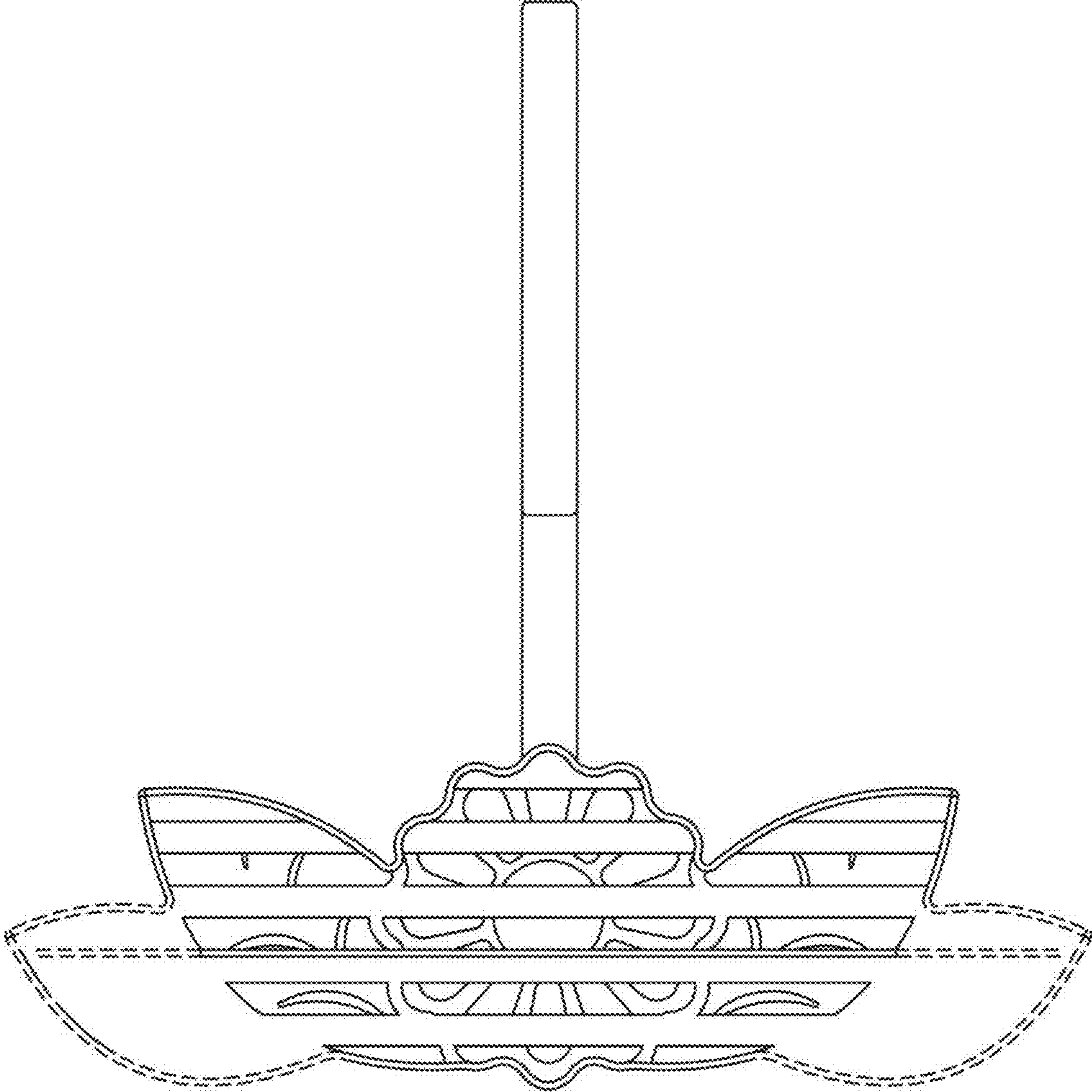


FIG. 3

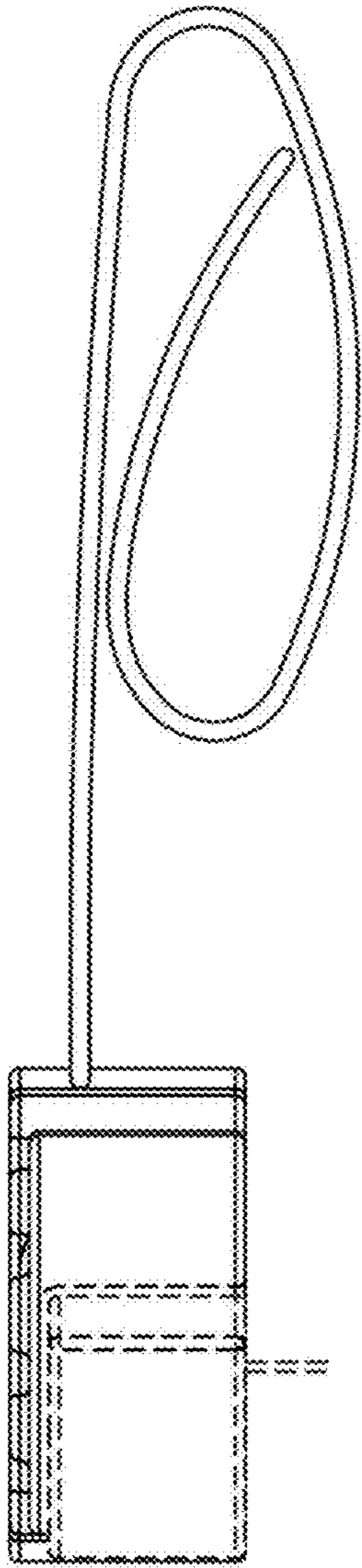


FIG. 4

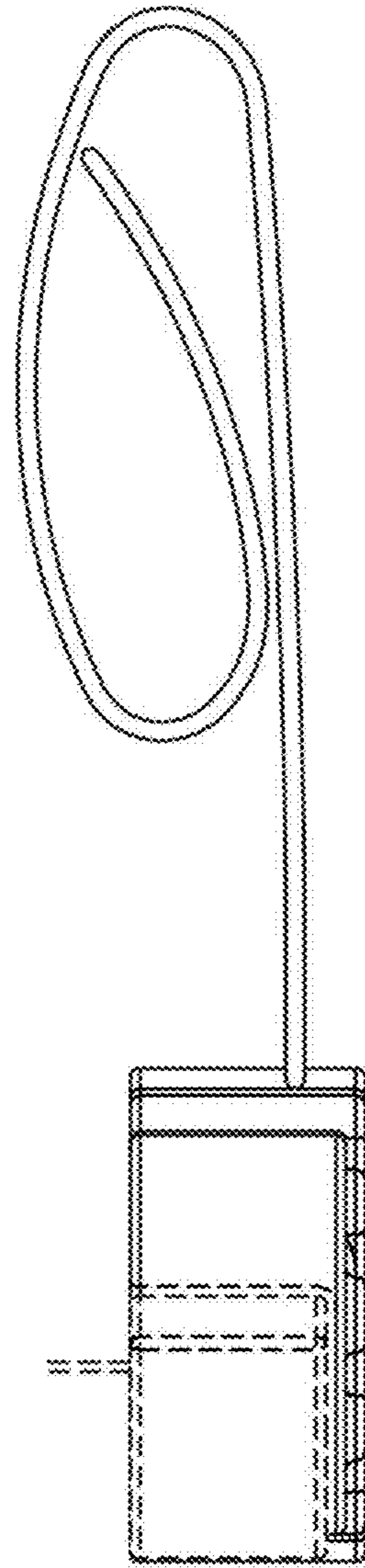


FIG. 5

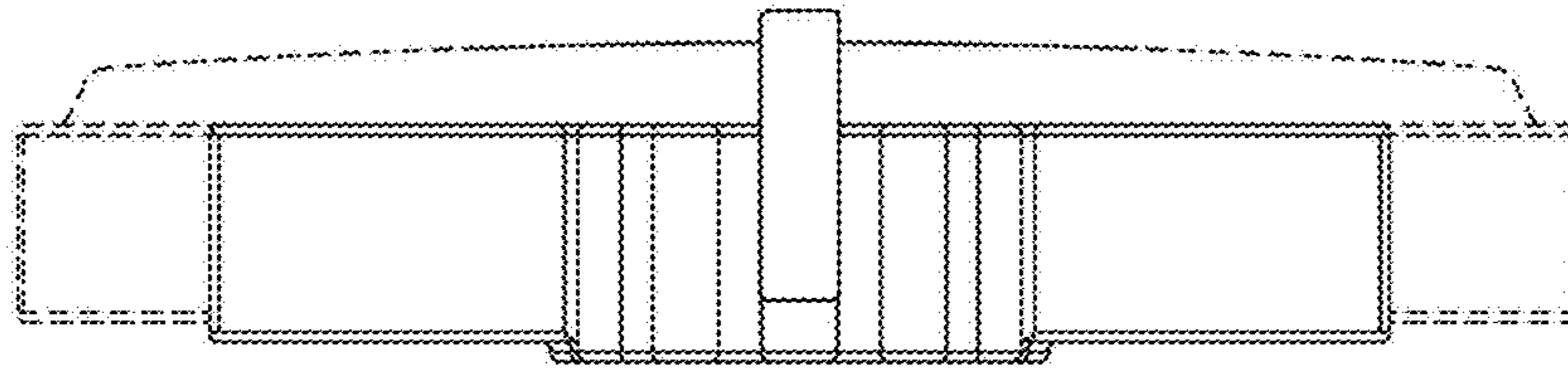


FIG. 6

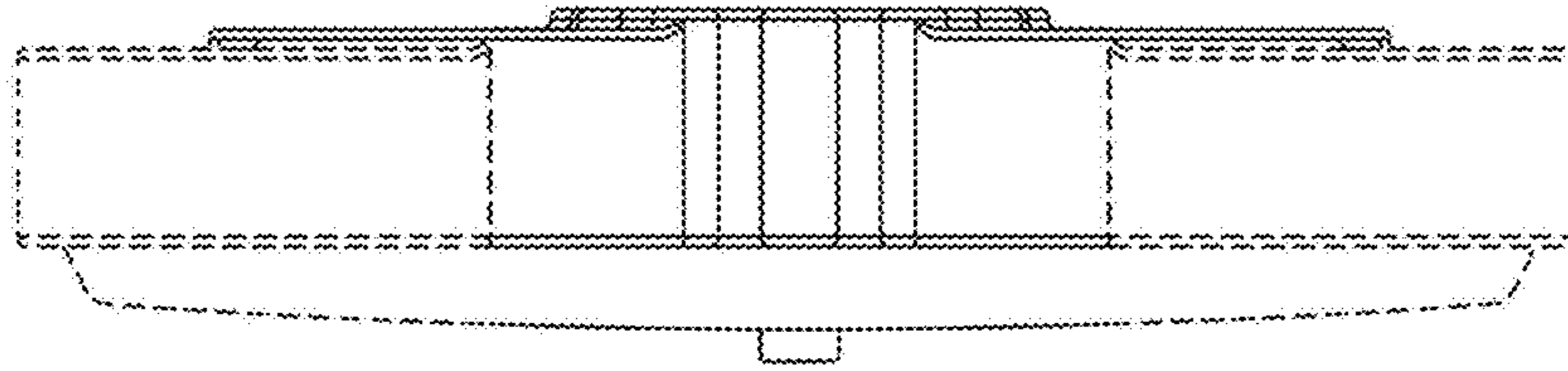


FIG. 7