



US00D791271S

(12) **United States Design Patent** (10) **Patent No.:** **US D791,271 S**
Barlow (45) **Date of Patent:** **** Jul. 4, 2017**

(54) **WATER PURIFIER**

(71) Applicant: **Michael M. Barlow**, Naples, FL (US)

(72) Inventor: **Michael M. Barlow**, Naples, FL (US)

(**) Term: **15 Years**

(21) Appl. No.: **29/560,301**

(22) Filed: **Apr. 5, 2016**

Related U.S. Application Data

(62) Division of application No. 15/050,791, filed on Feb. 23, 2016.

(51) **LOC (10) Cl.** **23-01**

(52) **U.S. Cl.**
USPC **D23/207**

(58) **Field of Classification Search**
USPC D23/207, 209; 210/232, 234, 235, 236, 210/497.01, 266, 282
CPC B01D 35/30; B01D 35/153; C02F 1/003
See application file for complete search history.

(56) **References Cited**

U.S. PATENT DOCUMENTS

D256,719 S	9/1980	Rose	
4,298,475 A	11/1981	Gartner	
D288,115 S	2/1987	McCausland et al.	
4,816,161 A *	3/1989	Olness	B01D 61/28 210/266
D310,707 S	9/1990	Sedman	
5,273,649 A	12/1993	Magnusson et al.	
5,456,831 A	10/1995	Sullivan	
5,509,605 A *	4/1996	Cripe	C02F 1/002 210/266
5,518,613 A *	5/1996	Koczur	C02F 1/002 210/266
5,580,447 A	12/1996	Platter et al.	
D400,755 S	11/1998	Ferlin, Jr.	
D405,867 S *	2/1999	Denkewicz, Jr.	D23/209

D432,622 S *	10/2000	Thompson	D23/209
6,224,764 B1 *	5/2001	Matyushin	A61L 2/022 210/266
D547,822 S *	7/2007	Kennedy	D23/207
D547,823 S *	7/2007	Kennedy	D23/207
D547,825 S *	7/2007	Kennedy	D23/209
D548,306 S *	8/2007	Kennedy	D23/209
D559,349 S *	1/2008	Brown	D23/209
7,316,323 B2	1/2008	Collias et al.	
7,896,168 B2	3/2011	Collias et al.	

(Continued)

Primary Examiner — Robin V Webster

(74) *Attorney, Agent, or Firm* — McDermott Will & Emery LLP

(57) **CLAIM**

We claim the ornamental design for a water purifier, as shown and described.

DESCRIPTION

FIG. 1 is a front perspective view of a water purifier according to the new design.

FIG. 2 is a right side view of the water purifier shown in FIG. 1.

FIG. 3 is a left side view of the water purifier shown in FIG. 1.

FIG. 4 is a front view of the water purifier of FIG. 1.

FIG. 5 is a rear view of the water purifier of FIG. 1.

FIG. 6 is a top end view of the water purifier shown in FIG. 1.

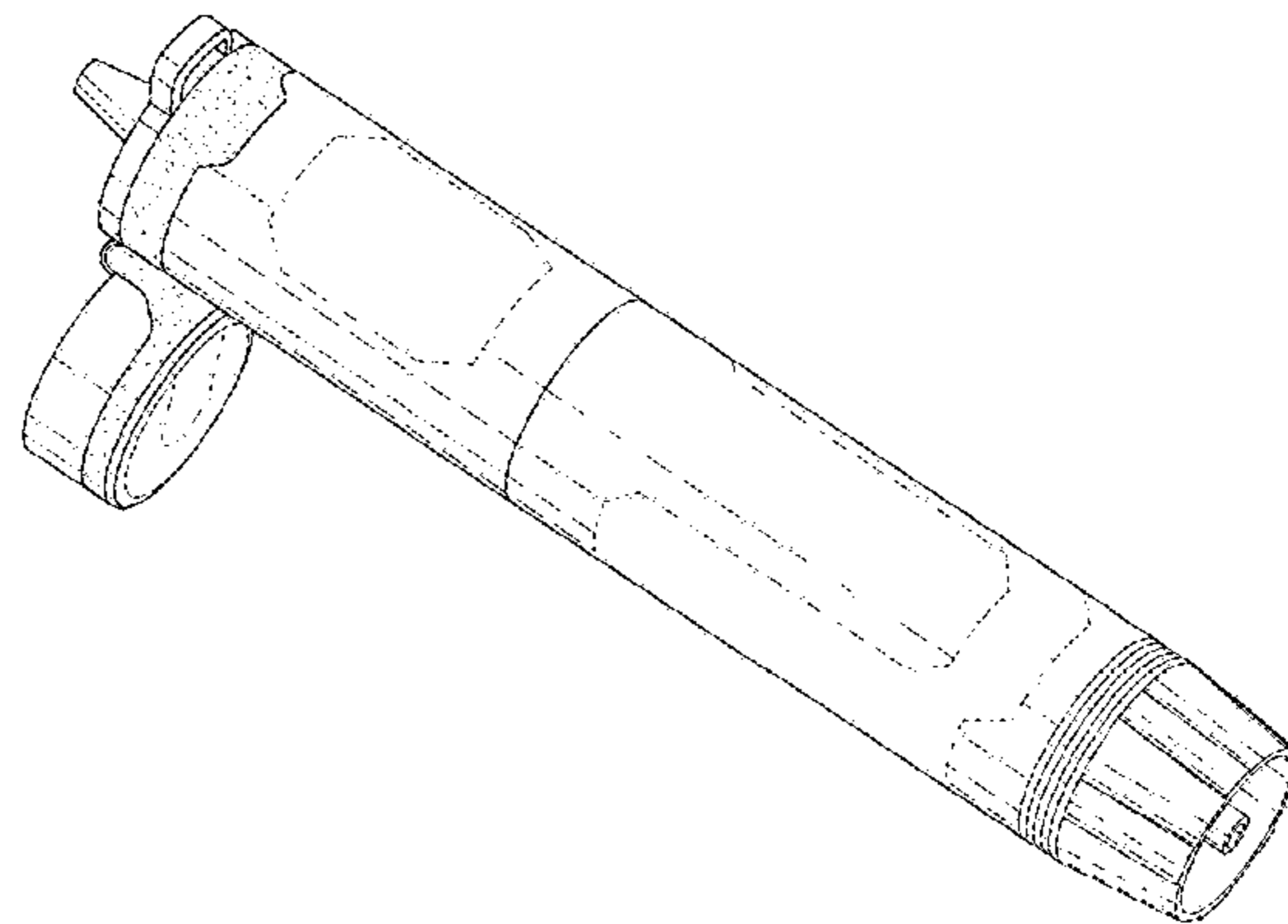
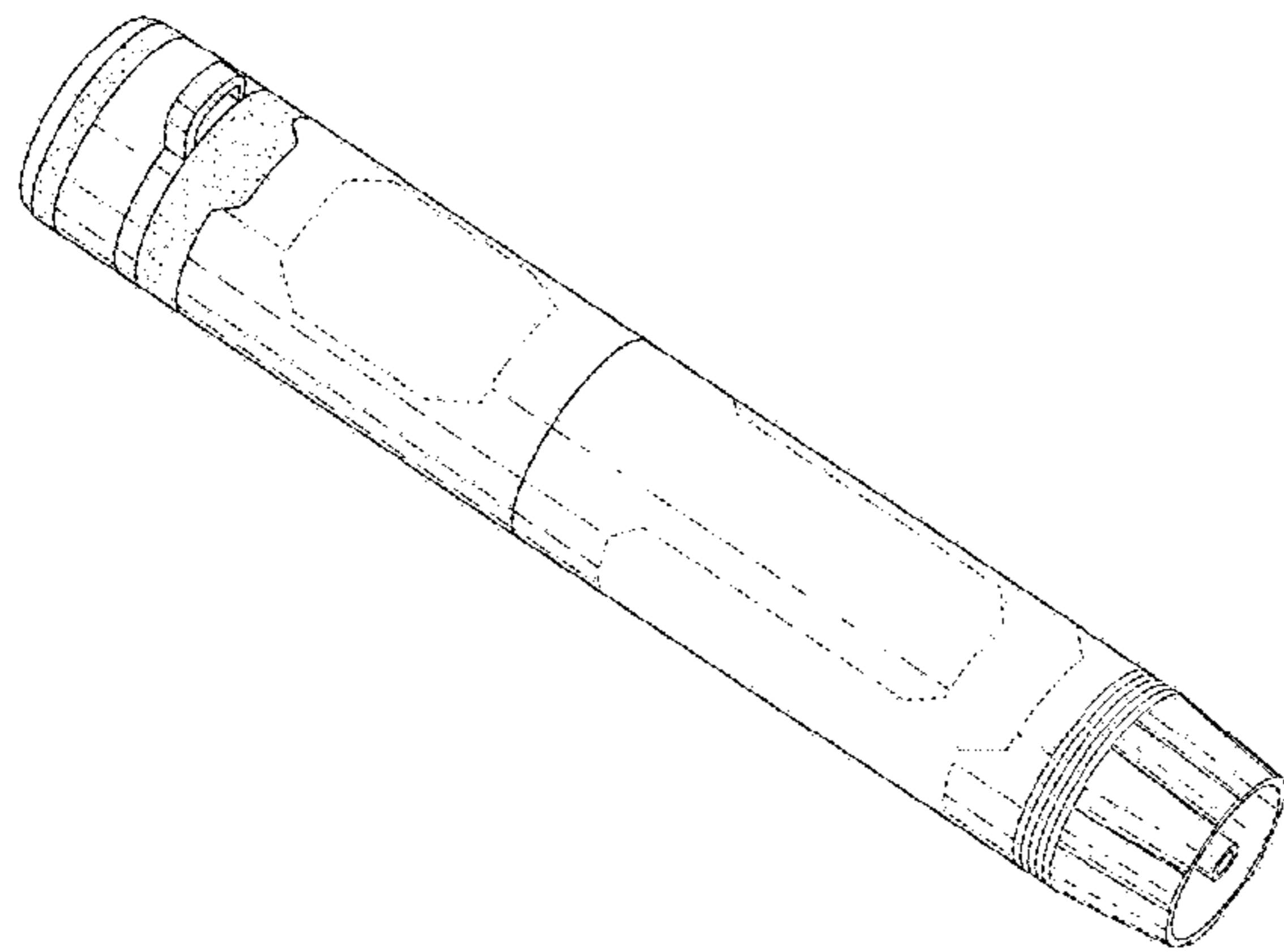
FIG. 7 is a bottom end view of the water purifier shown in FIG. 1.

FIG. 8 is a perspective view of the water purifier of FIG. 1 but with the protective overcap removed; and,

FIG. 9 is a top end view of the water purifier shown in FIG. 8.

The broken line showing of portions of the purifier is included for the purpose of illustrating and forms no part of the claimed design.

1 Claim, 5 Drawing Sheets



(56)

References Cited

U.S. PATENT DOCUMENTS

8,119,012	B2	2/2012	Bahm et al.	
8,318,011	B2	11/2012	O'Brien et al.	
8,425,771	B2	4/2013	O'Brien et al.	
D696,745	S *	12/2013	Hammerback D23/209
D712,507	S *	9/2014	Hammerback D23/209
D717,396	S *	11/2014	Hammarback D23/209
D717,397	S *	11/2014	Hammarback D23/209
D718,414	S	11/2014	Lo	
D723,135	S	2/2015	Haslem	
D740,916	S	10/2015	Doi et al.	
D741,982	S	10/2015	Maeng	
D753,790	S *	4/2016	Torgerud D23/209

* cited by examiner

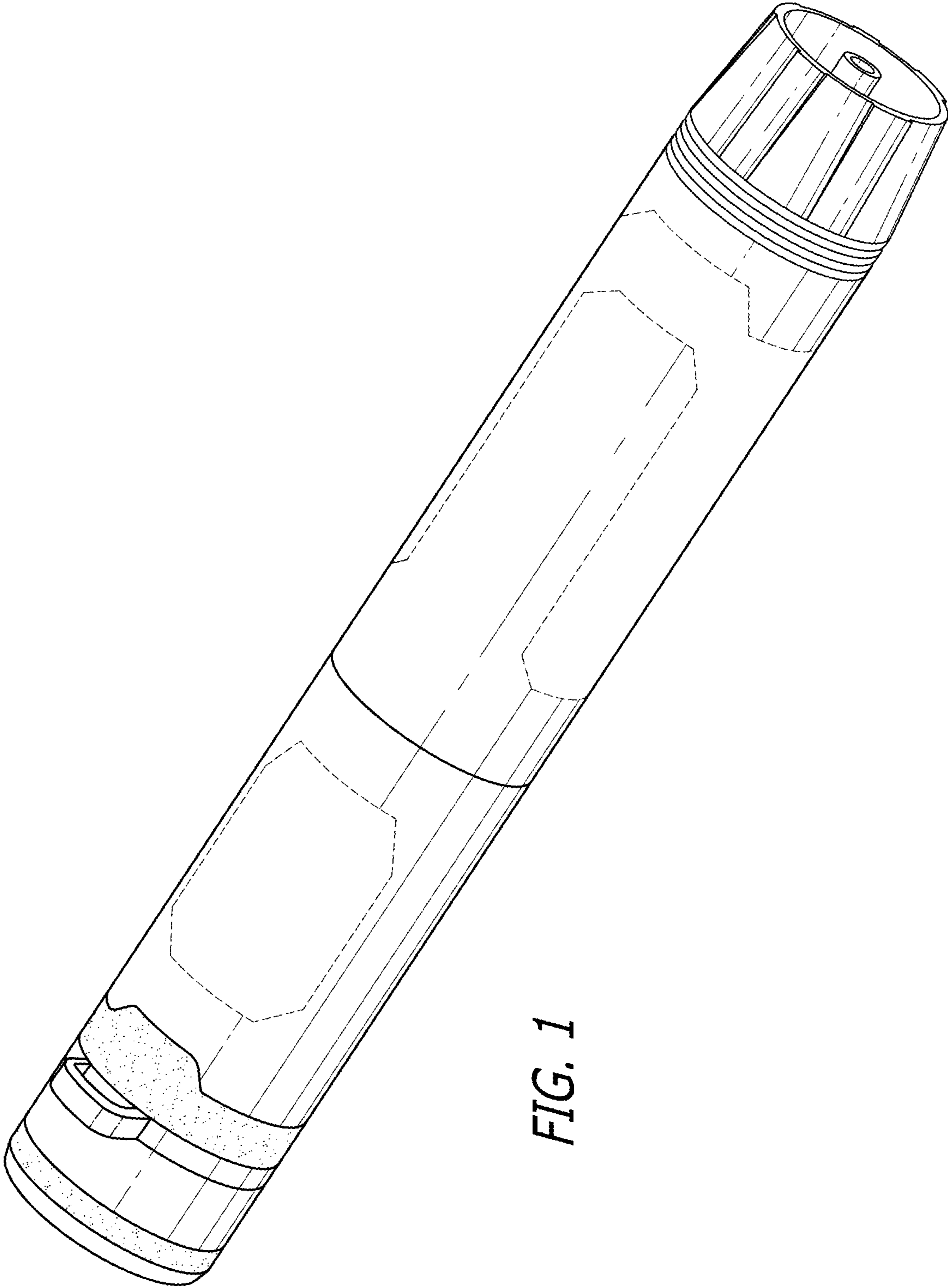


FIG. 1

FIG. 2

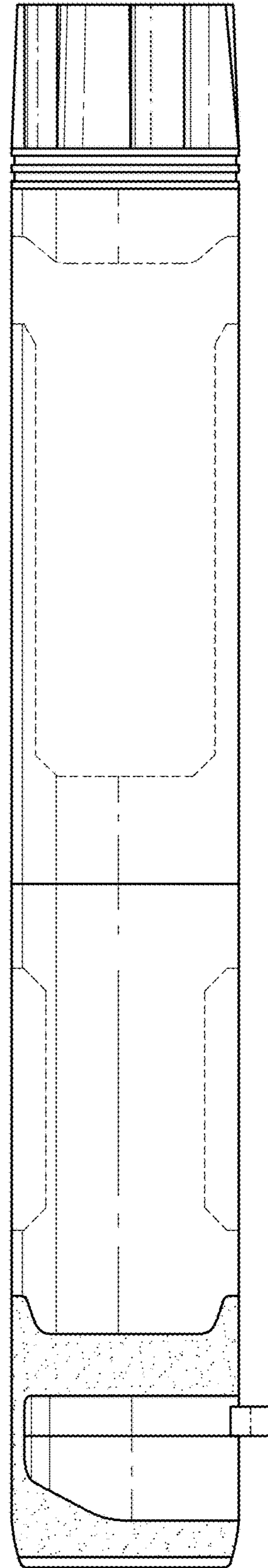
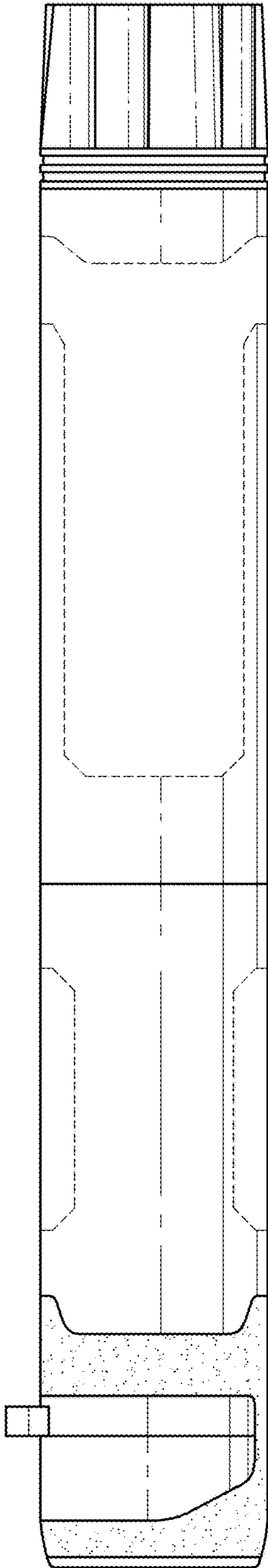


FIG. 3

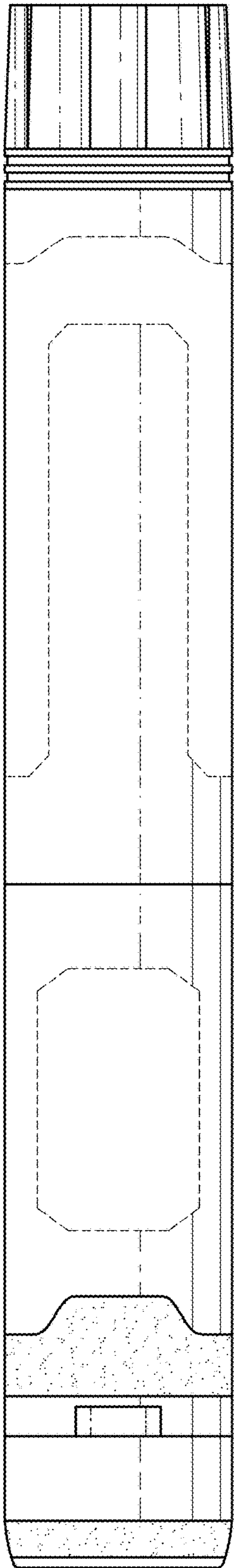


FIG. 4

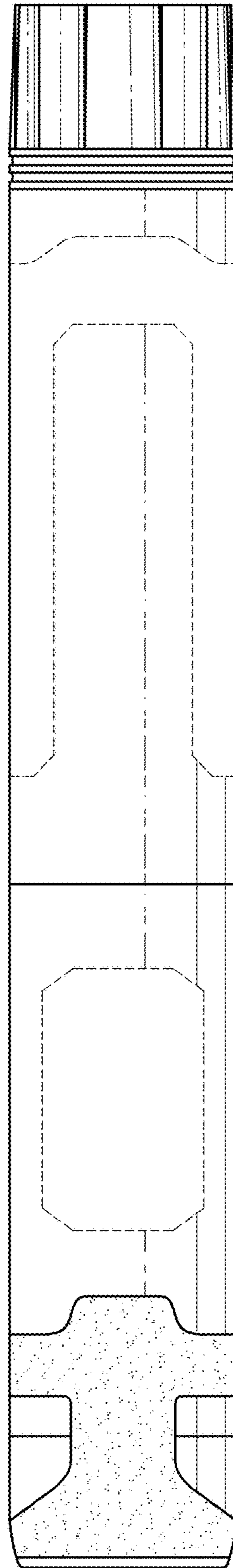


FIG. 5

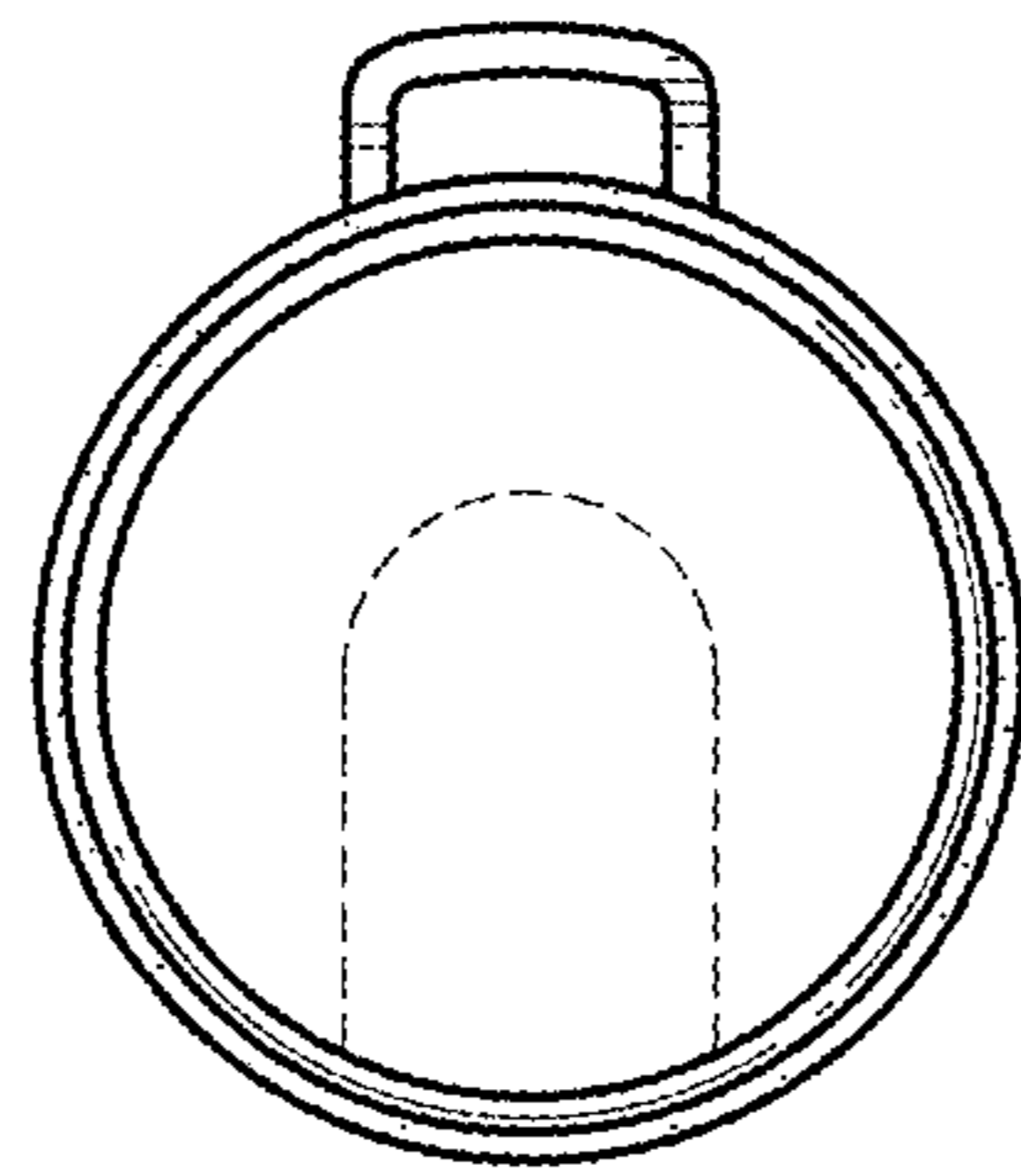


FIG. 6

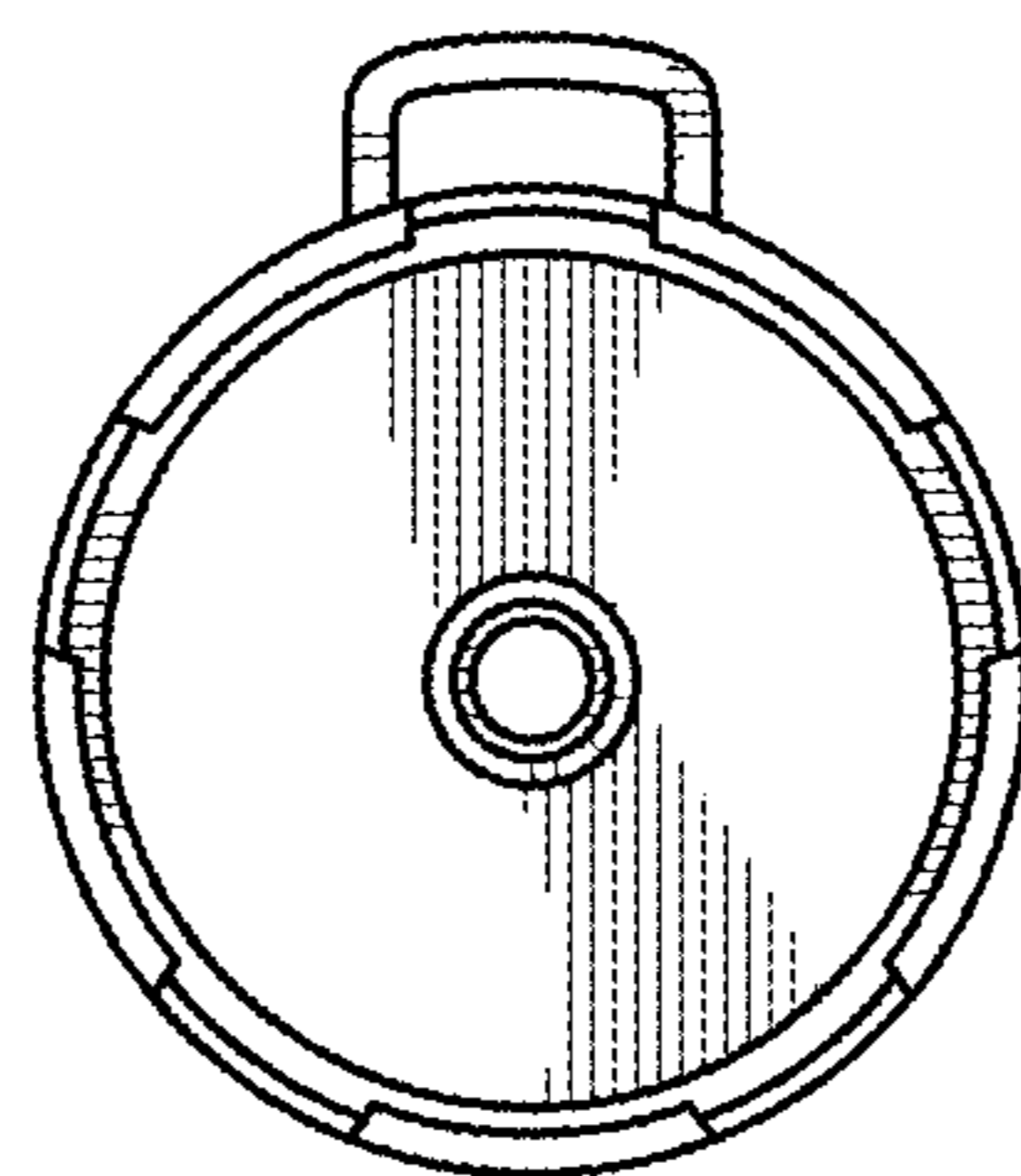


FIG. 7

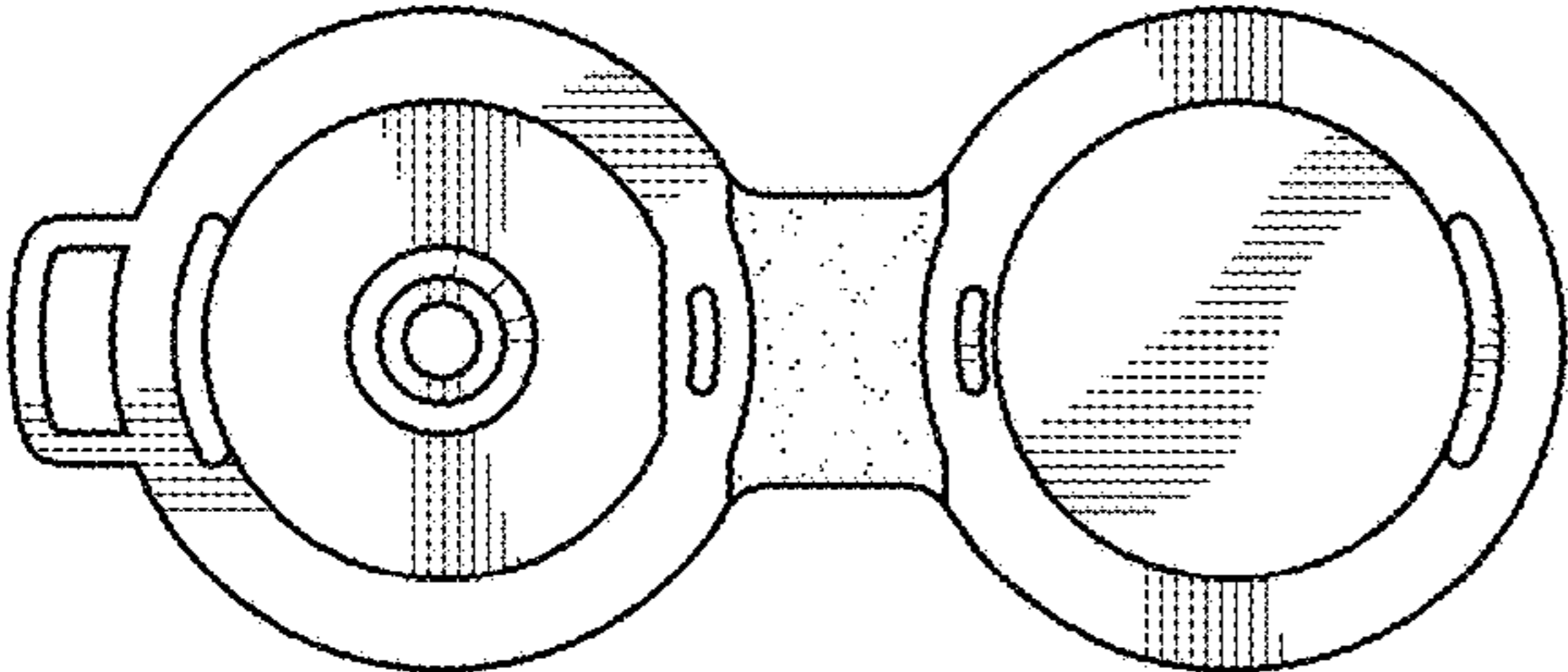


FIG. 9

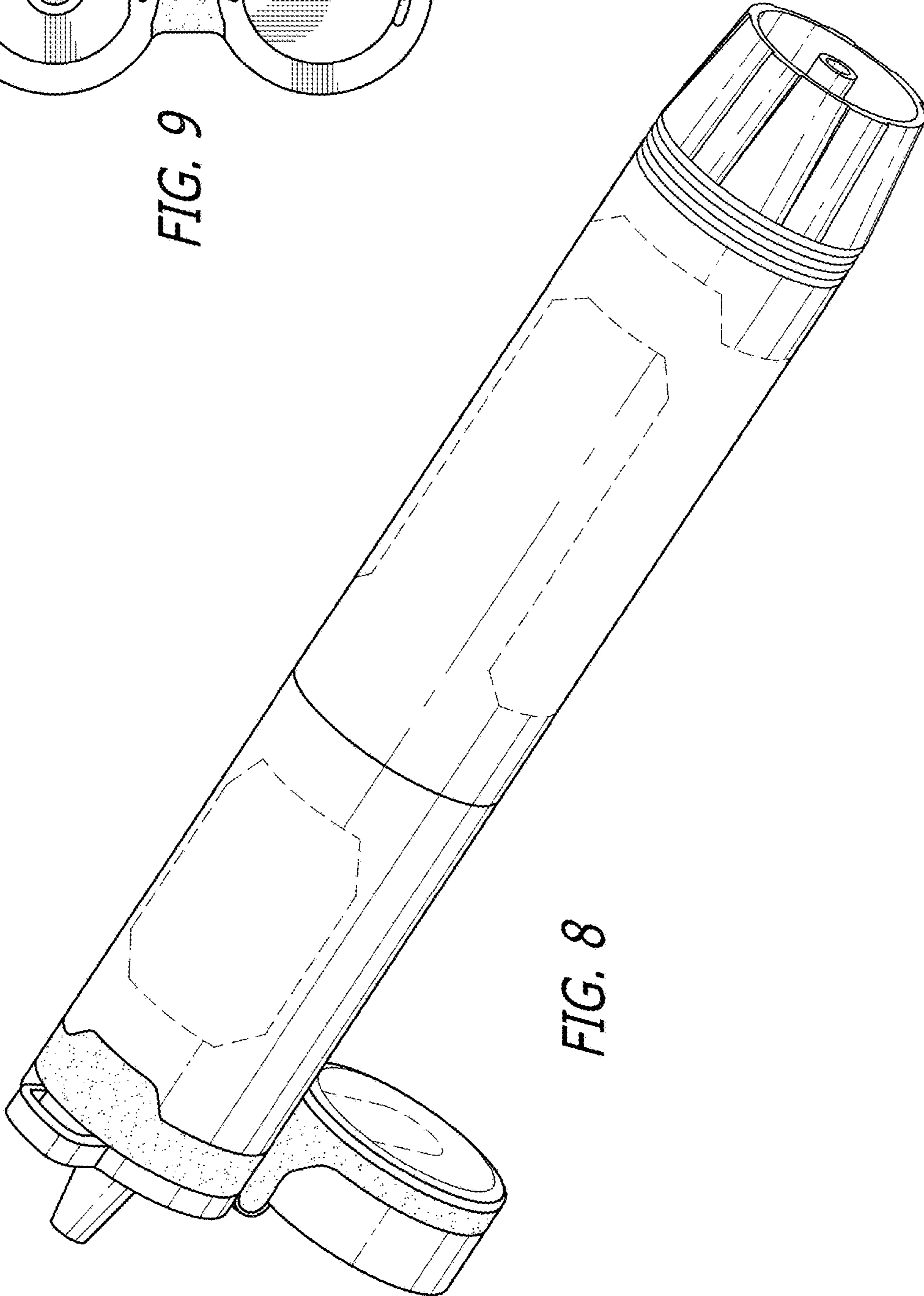


FIG. 8