



US00D791269S

(12) **United States Design Patent**
LaCroix

(10) **Patent No.:** **US D791,269 S**
(45) **Date of Patent:** **** Jul. 4, 2017**

(54) **CORE LOADING PLATE**

(71) Applicant: **Kelso Technologies Inc.**, North Delta (CA)

(72) Inventor: **Barry LaCroix**, North Delta (CA)

(**) Term: **15 Years**

(21) Appl. No.: **29/545,854**

(22) Filed: **Nov. 17, 2015**

(51) **LOC (10) Cl.** **23-01**

(52) **U.S. Cl.**
USPC **D23/206**

(58) **Field of Classification Search**
USPC 182/113; D21/505; D15/138-143, 199; 105/377, 377.05, 377.07, 337.05, 377.01, 105/377.11, 236, 358; 220/203.01, 315, 220/373, 831, 291, 327, 231, 216, 648, 220/589, 256.1, 203.23; D23/233, 249, D23/206; D8/20; 52/20; 137/350, 382, 137/584, 590; 292/256, 212; 165/75; 405/8, 53; 73/112, 49.2; D12/106; 241/36; 134/113; 277/637; 49/465
CPC E01F 15/0438; B23B 29/26; B23Q 11/10; B23Q 3/086; E21B 2033/005; E21B 33/043; F16K 27/003; F16K 31/0665; Y10S 285/917; Y10T 407/14; Y10T 408/44; Y10T 82/16065; B65D 90/10; B65D 90/00; B65D 90/34; B65D 2590/666; B65D 53/02; B61D 5/08
See application file for complete search history.

6,296,135 B1 * 10/2001 Anderson B61D 17/16
105/377.05

8,109,159 B1 * 2/2012 Carella G01M 15/14
73/112.01

8,286,822 B2 * 10/2012 Tauchi H01L 21/67126
220/211

D682,651 S * 5/2013 McRoberts D8/20

8,608,021 B2 * 12/2013 Poulter B60P 3/226
105/358

9,221,522 B2 * 12/2015 Mohrfeld B63B 21/27

D748,759 S * 2/2016 Lo Cicero D23/233

9,404,526 B2 * 8/2016 Huang F16B 47/00

9,422,069 B2 * 8/2016 Valicek B65B 3/18

2004/0074416 A1 * 4/2004 Woodall B65D 90/10
105/358

2010/0326986 A1 * 12/2010 Poulter B60P 3/226
220/203.01

2014/0237902 A1 * 8/2014 David B65D 90/10
49/465

2015/0083022 A1 * 3/2015 Douglas B61D 5/08
105/377.07

(Continued)

OTHER PUBLICATIONS

Kelsotech "Universal Manway Load Plate Adapter ", www.kelsotech.com. Aug. 31, 2015. shown in p. 1, Model # AP-AD.*

Primary Examiner — Cynthia Ramirez
Assistant Examiner — Michael Maharajh

(57) **CLAIM**

The ornamental design for a core loading plate, as shown and described.

DESCRIPTION

FIG. 1 is a front top perspective view of the core loading plate showing my new design;
FIG. 2 is a top plan view thereof;
FIG. 3 is a right side elevational view thereof;
FIG. 4 is a bottom plan view thereof; and,
FIG. 5 is an inverted right bottom perspective view thereof.

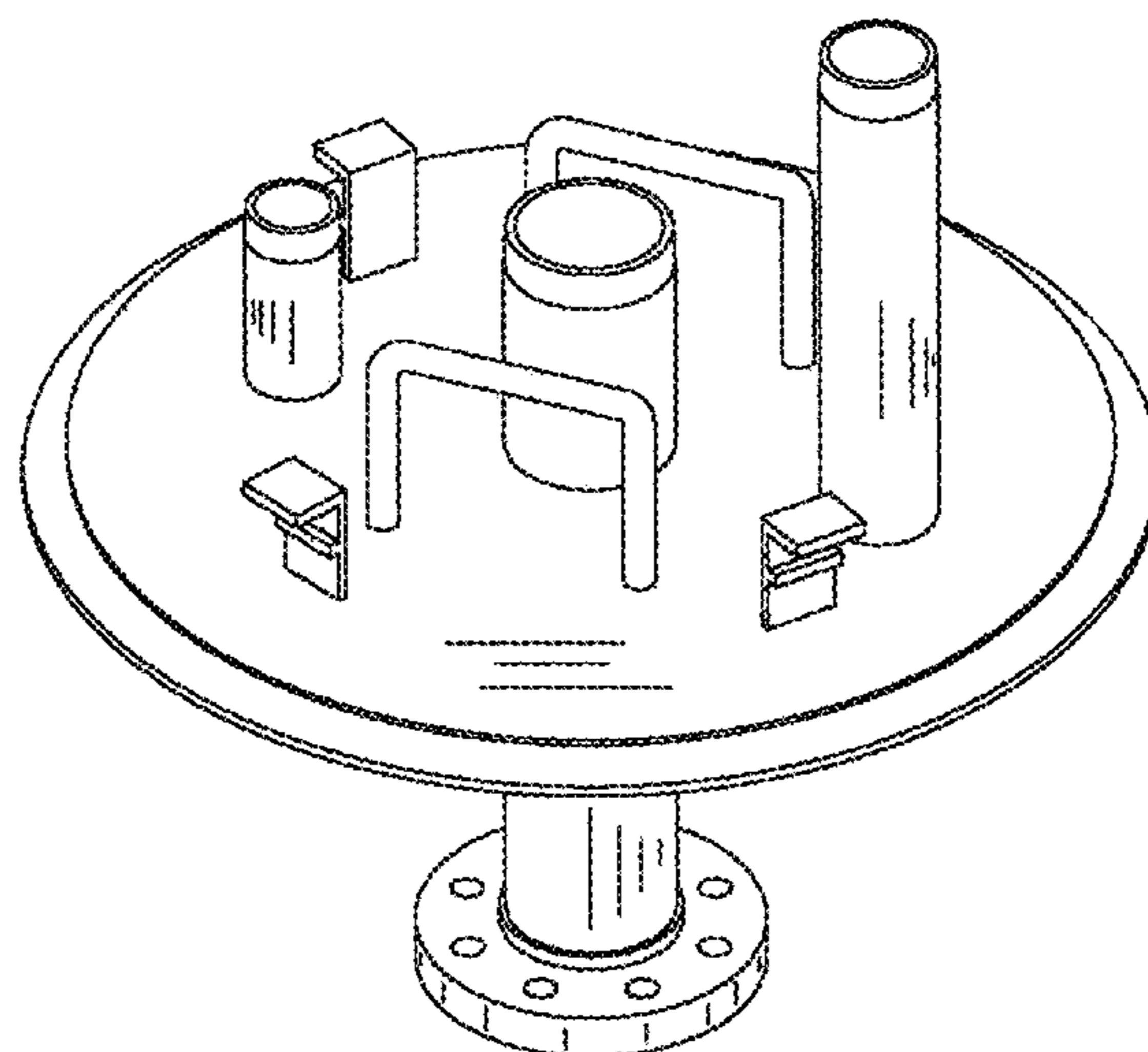
1 Claim, 5 Drawing Sheets

(56) **References Cited**
U.S. PATENT DOCUMENTS

D134,471 S * 12/1942 Grice D23/206

D163,967 S * 7/1951 Rosset 220/254.4

4,273,064 A * 6/1981 Sutton B63B 19/14
114/203



(56)

References Cited

U.S. PATENT DOCUMENTS

2016/0001935 A1* 1/2016 Smith B65D 90/10
220/327

* cited by examiner

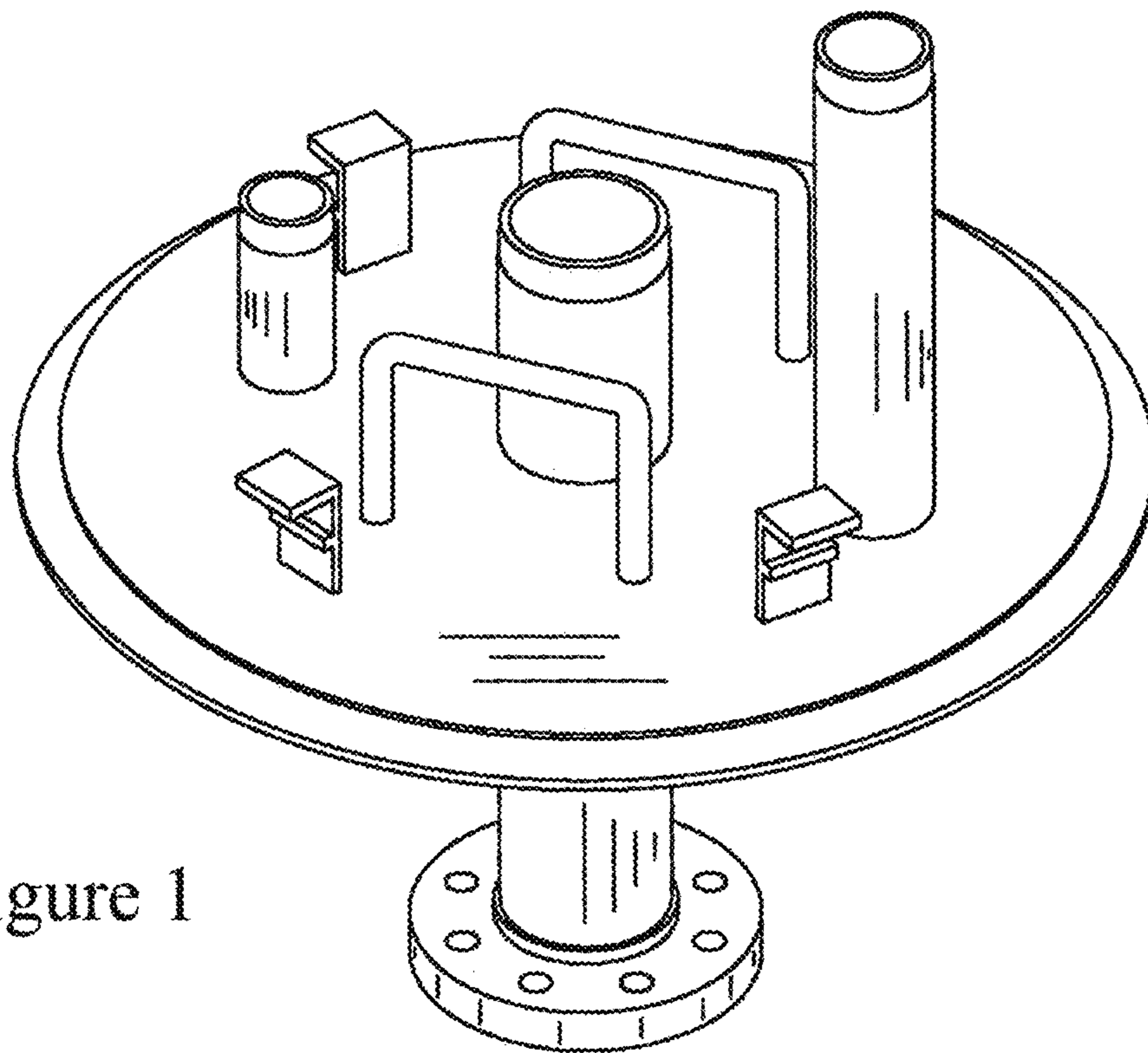


Figure 1

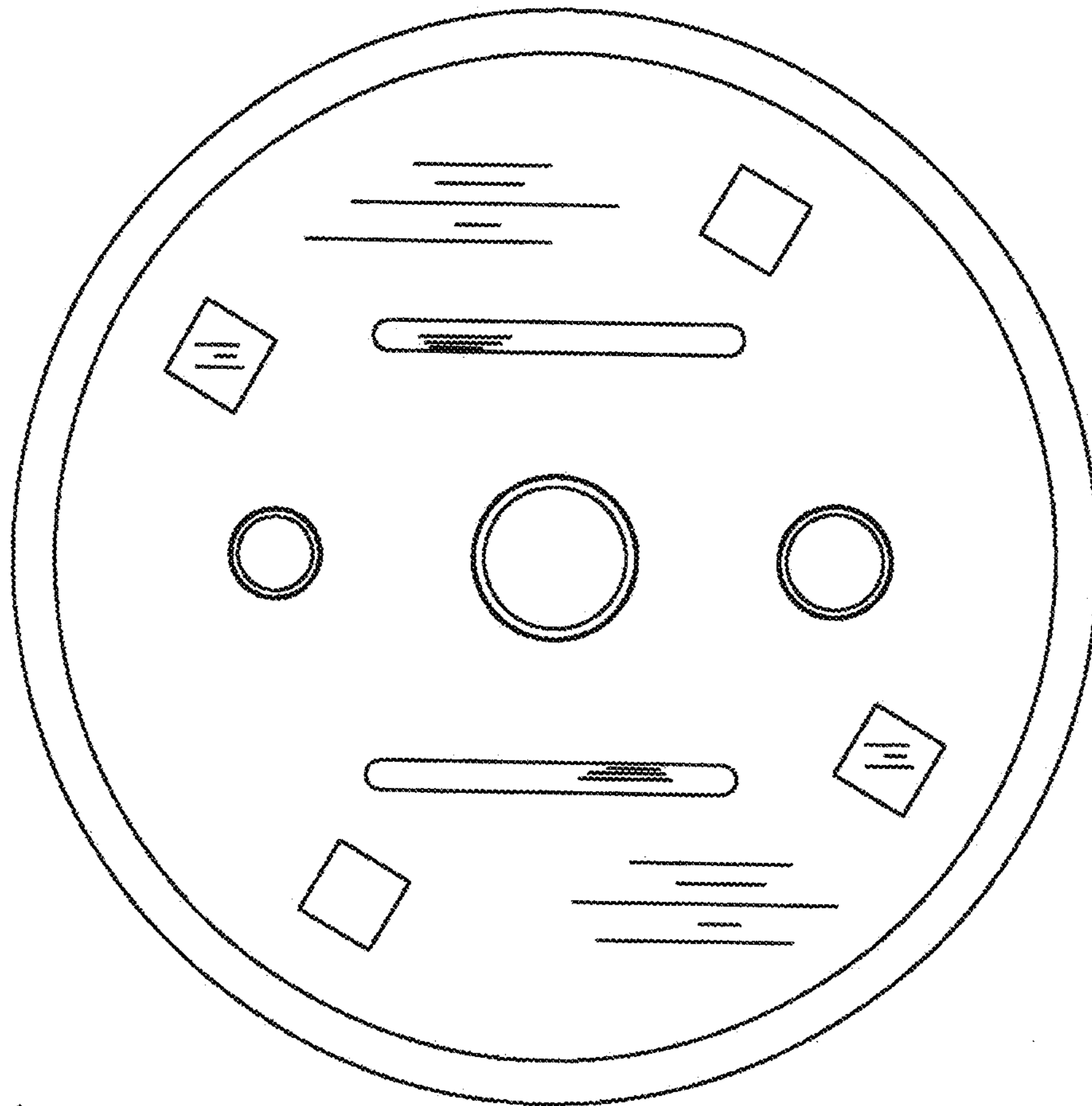


Figure 2

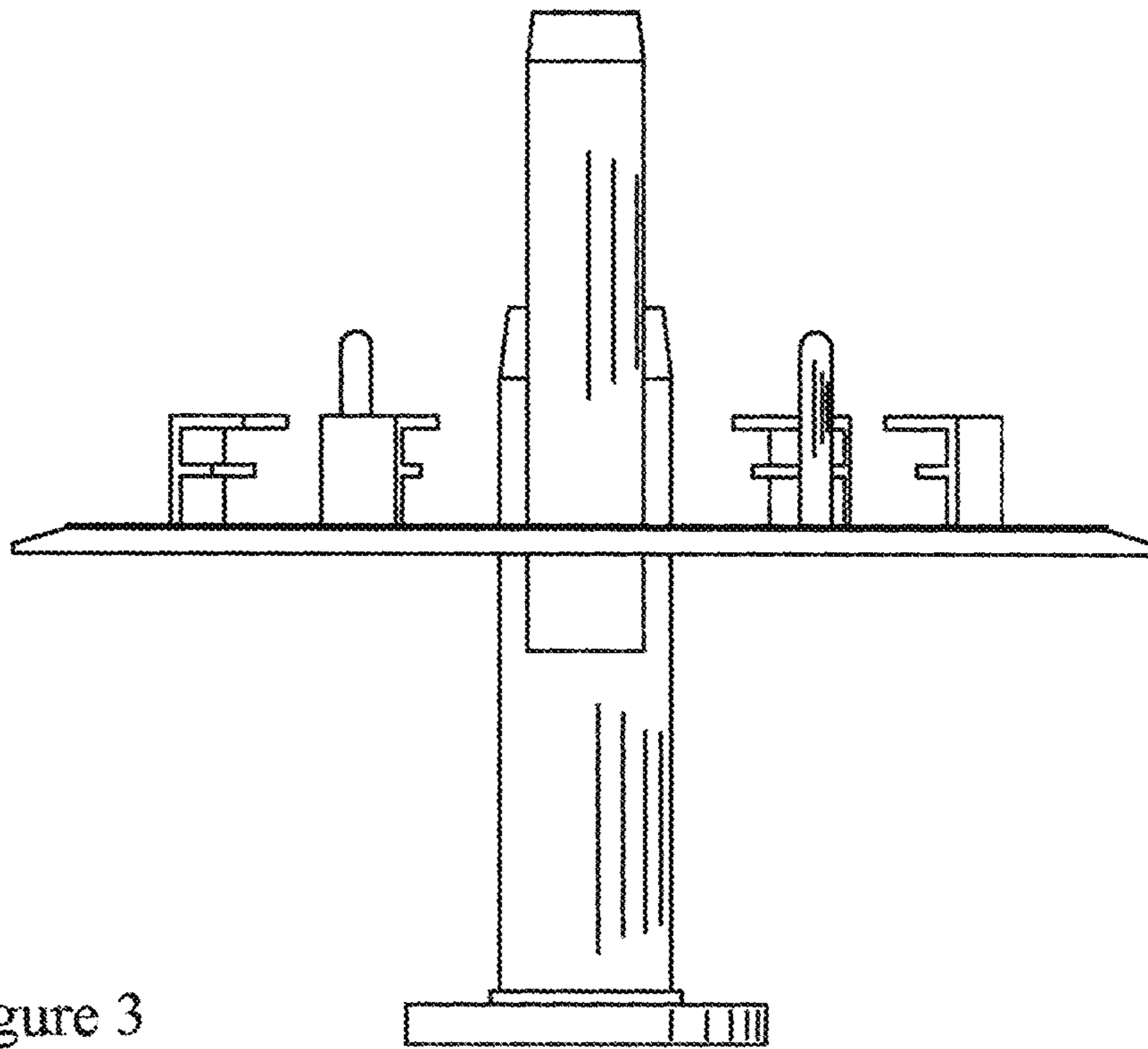


Figure 3

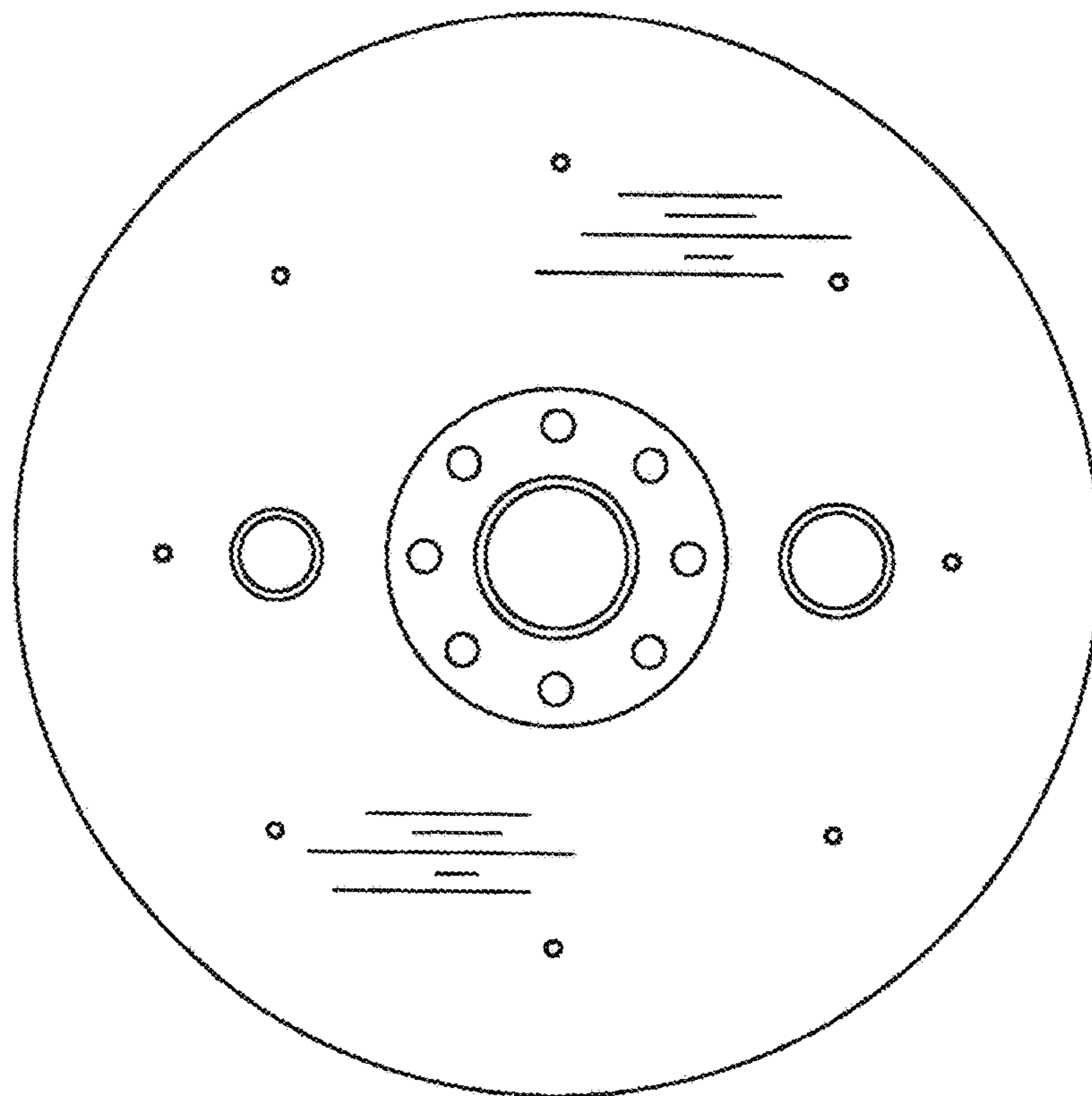


Figure 4

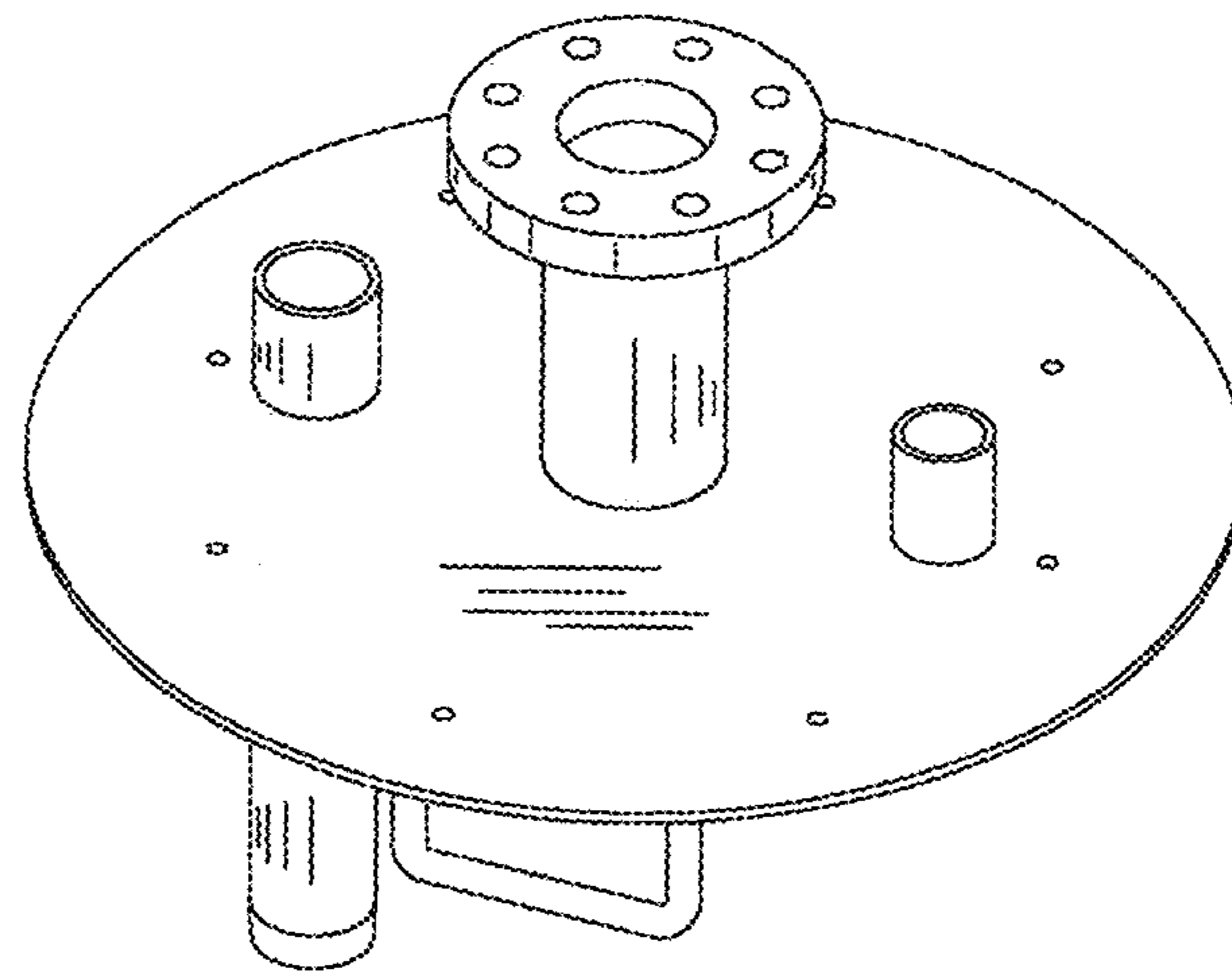


Figure 5