



US00D791268S

(12) **United States Design Patent** (10) **Patent No.:** **US D791,268 S**
Vinco et al. (45) **Date of Patent:** **** Jul. 4, 2017**

(54) **CLAMP FOR HOSES AND PIPES**
(71) Applicant: **UAB "VILTECHMEDA"**, Vilnius (LT)
(72) Inventors: **Boguslav Vinco**, Vilnius (LT); **Valerij Lipskij**, Vilnius (LT)

D635,255 S * 3/2011 Travis D24/129
D638,932 S * 5/2011 She D24/129
D783,813 S * 4/2017 Duncan D24/128

* cited by examiner

Primary Examiner — Michael A Pratt

(**) Term: **15 Years**

(57) **CLAIM**

(21) Appl. No.: **35/500,977**

The ornamental design for a clamp for hoses and pipes, as shown and described.

(22) Filed: **Mar. 23, 2016**

DESCRIPTION

(80) **Hague Agreement Data**

Int. Filing Date: **Mar. 23, 2016**
Int. Reg. No.: **DM/090494**
Int. Reg. Date: **Mar. 23, 2016**
Int. Reg. Pub. Date: **May 20, 2016**

1. Clamp for hoses and pipes

- 1.1 : Perspective
- 1.2 : Perspective
- 1.3 : Perspective
- 1.4 : Perspective
- 1.5 : Right
- 1.6 : Left
- 1.7 : Top
- 1.8 : Bottom
- 1.9 : Front
- 1.10 : Back

(51) **LOC (10) Cl.** **08-08**

(52) **U.S. Cl.**
USPC **D22/129**

(58) **Field of Classification Search**
USPC D24/129, 143; D23/265; D8/382-396
CPC A61B 17/122; A61B 2017/2808; A61B 5/6838; A61B 8/06
See application file for complete search history.

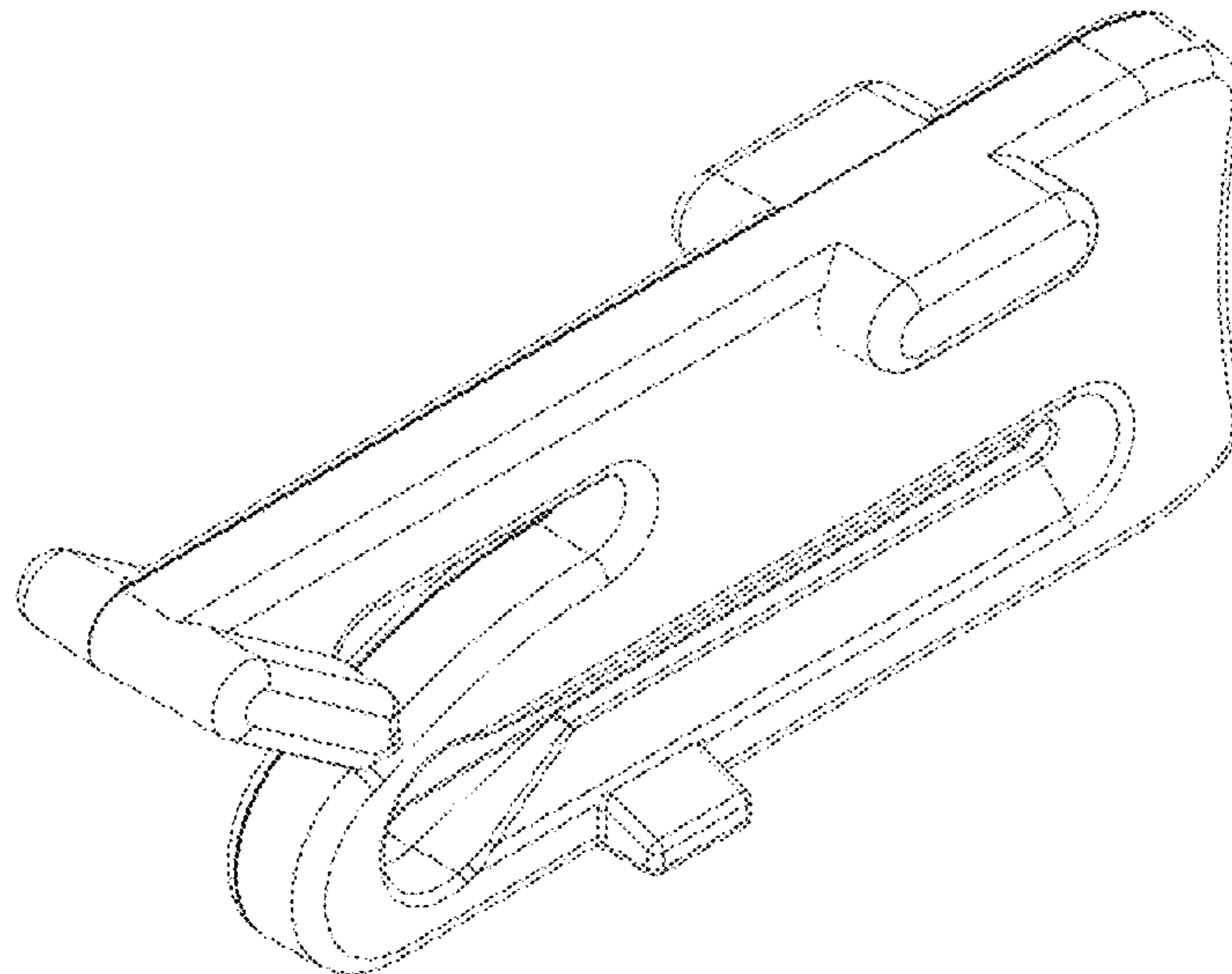
A design for a clamp for hoses and pipes characterized by having an elongated flat body with an elongated recess at its bottom going through the major part of the body, the front end of the recess ends with a circular hole made across the clamp's body; further the clamp comprises a hook-shaped portion at its upper front part for gripping with a hand; the upper part of the clamp comprises two projections extending symmetrically across the both side surfaces of the clamp; the lower part of the clamp comprises a single projection arranged on its right side.

(56) **References Cited**

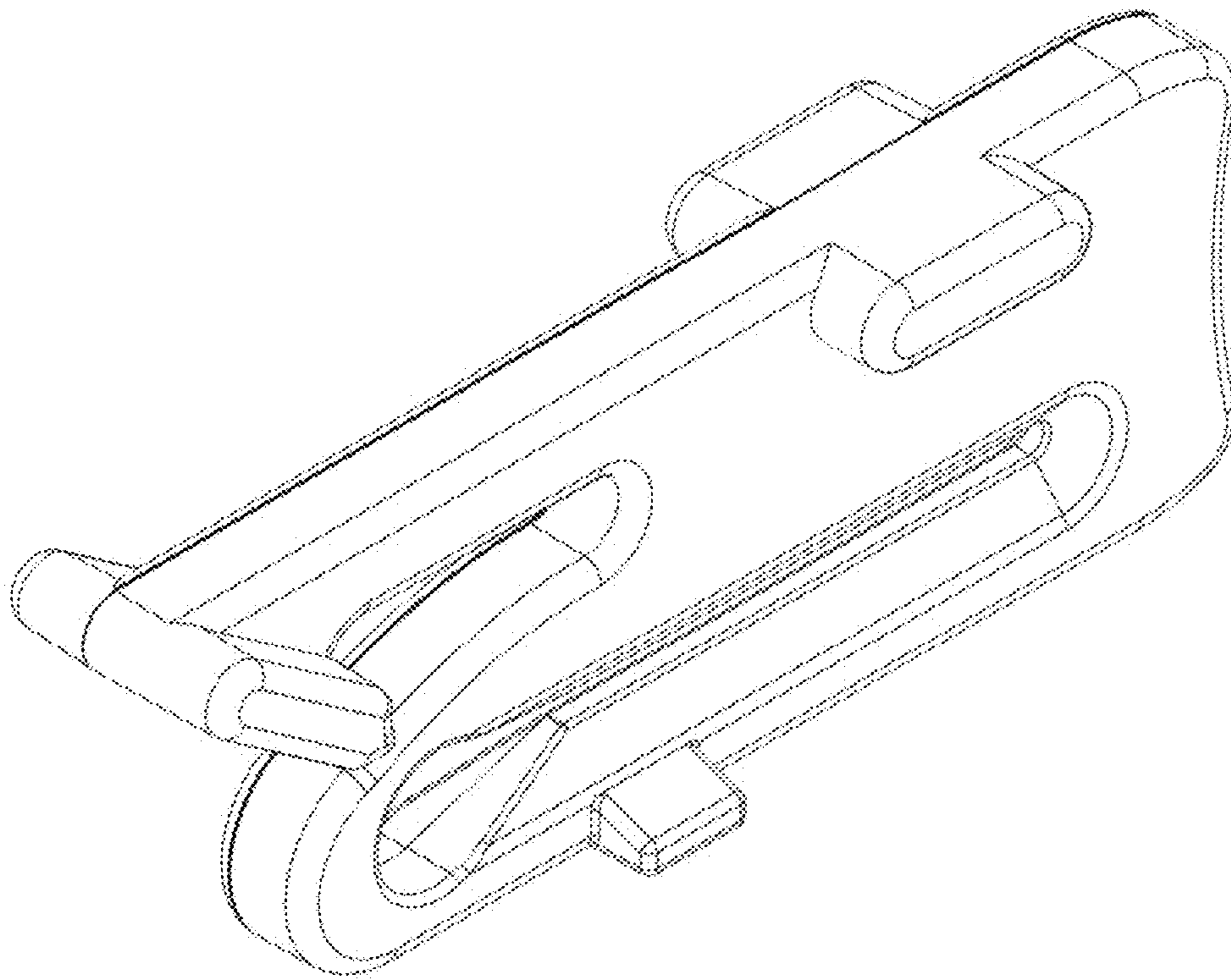
U.S. PATENT DOCUMENTS

D230,729 S * 3/1974 Zeddies D24/129
D233,312 S * 10/1974 Lock D24/143
D299,168 S * 12/1988 Bergstrom D24/143
D431,650 S * 10/2000 Guala D24/129

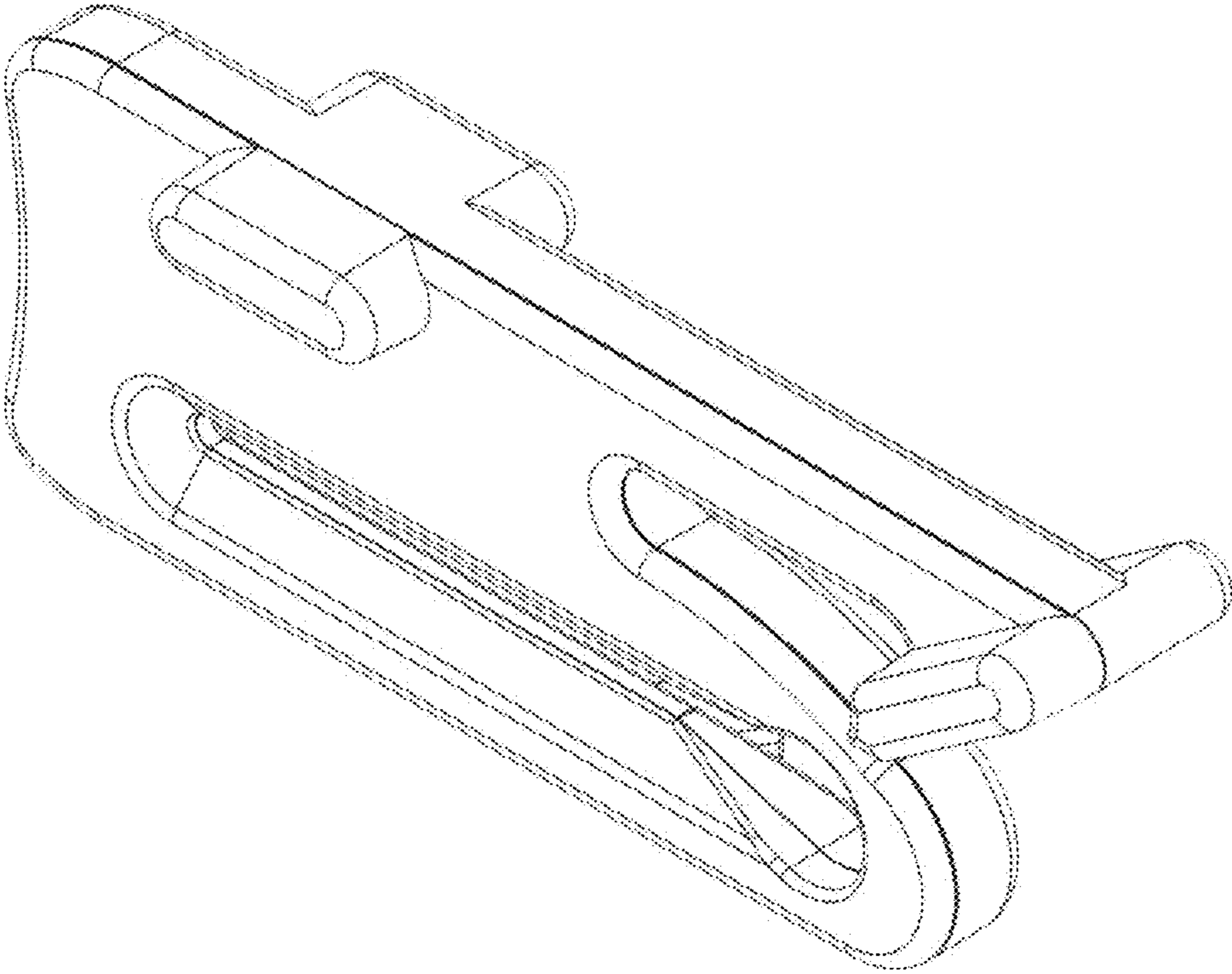
1 Claim, 10 Drawing Sheets



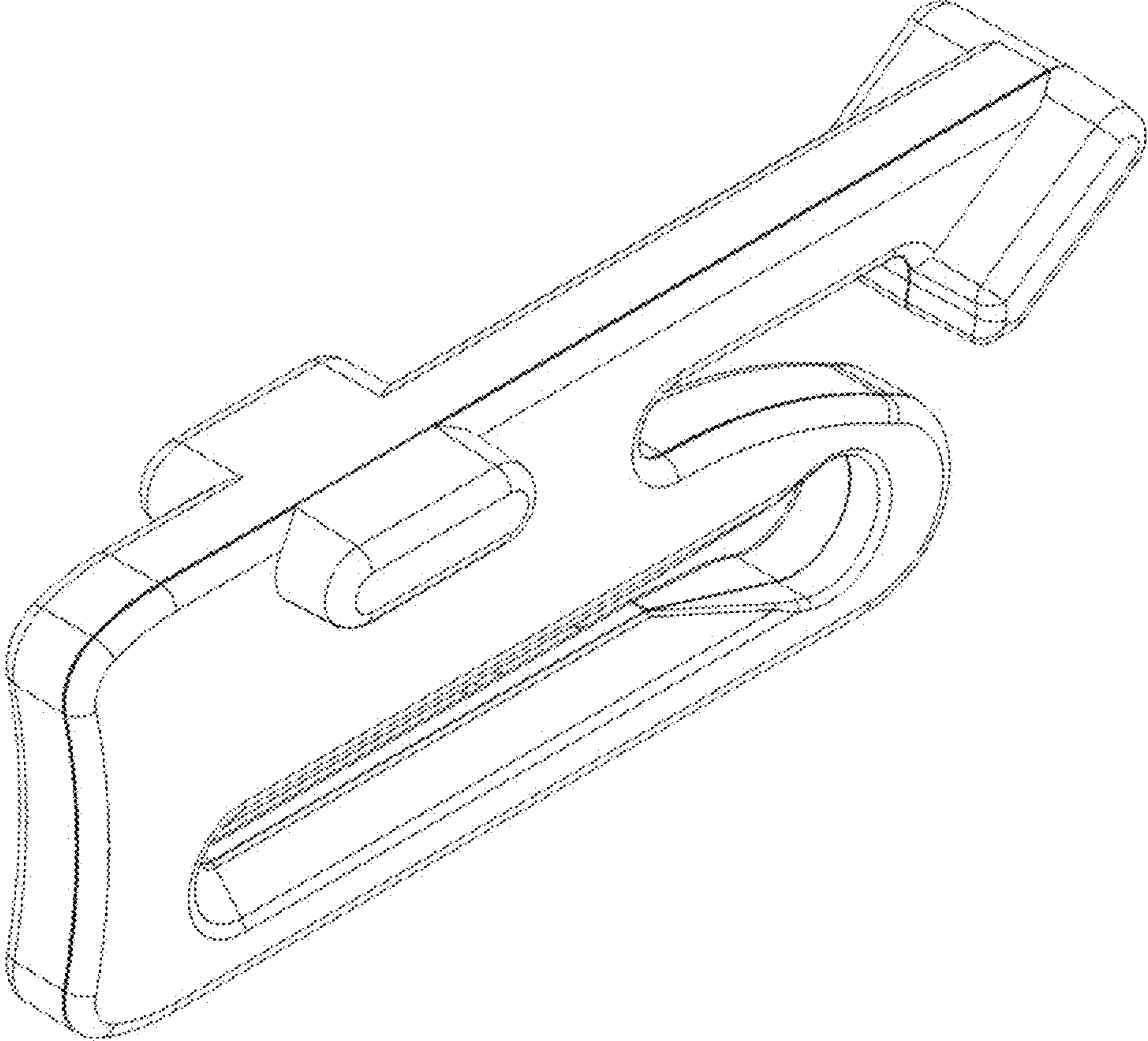
1.1



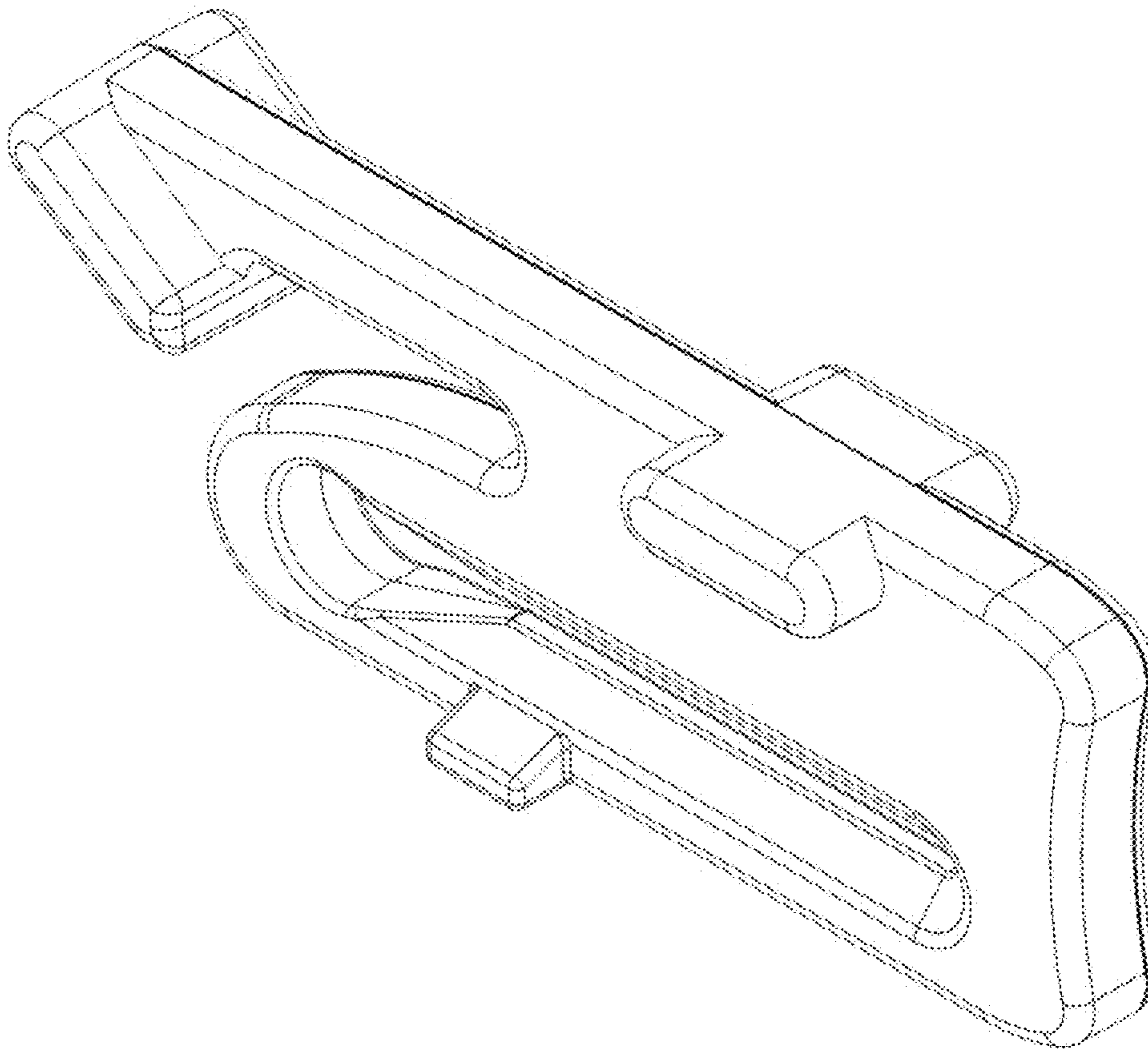
1.2



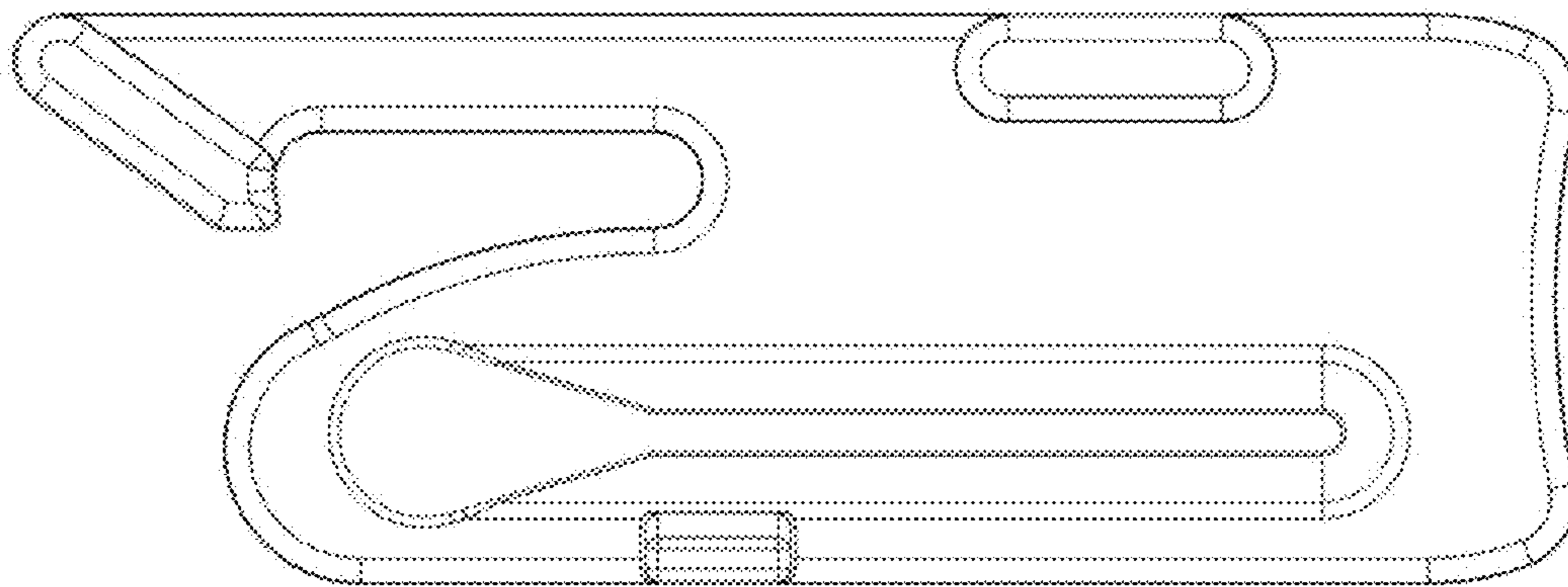
1.3



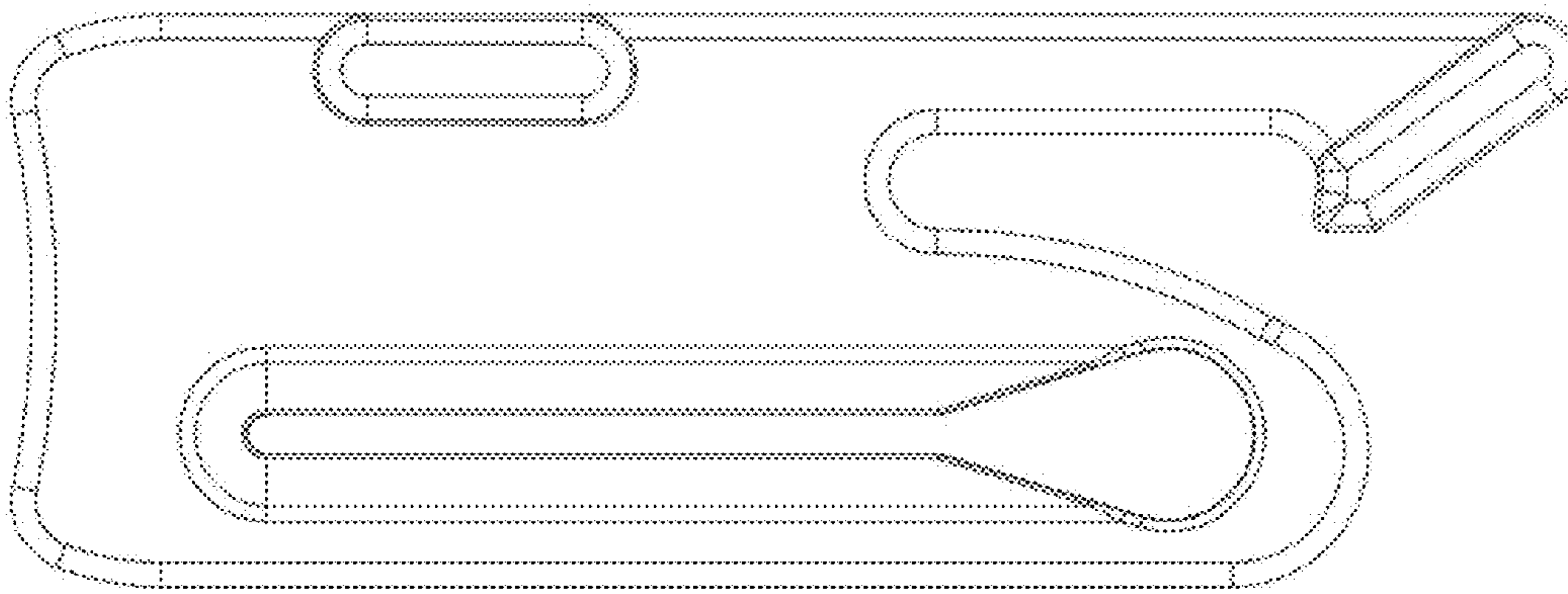
1.4



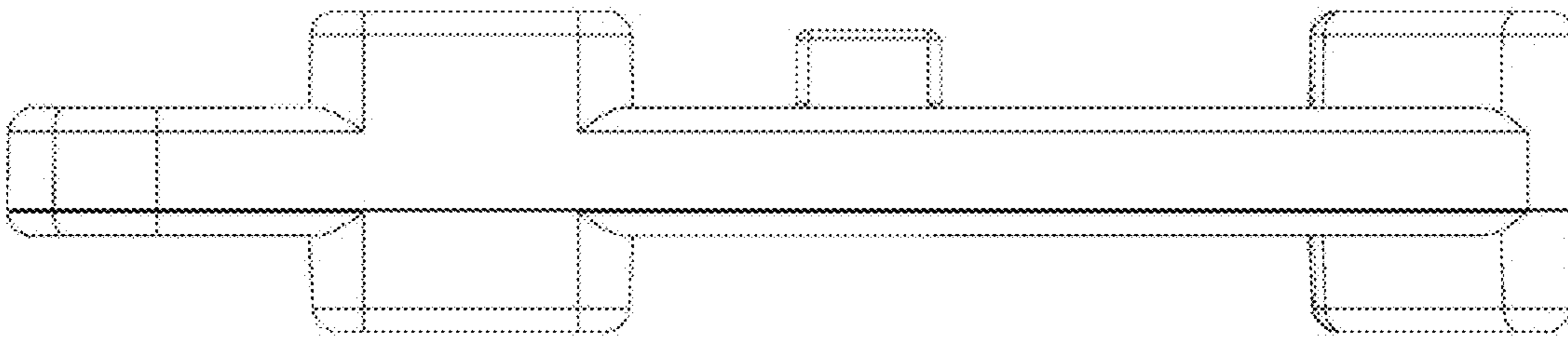
1.5



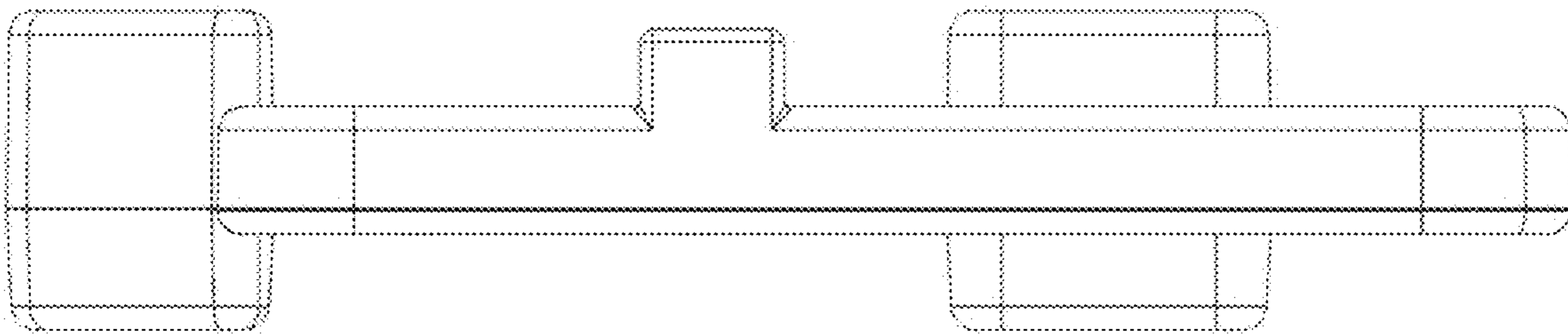
1.6



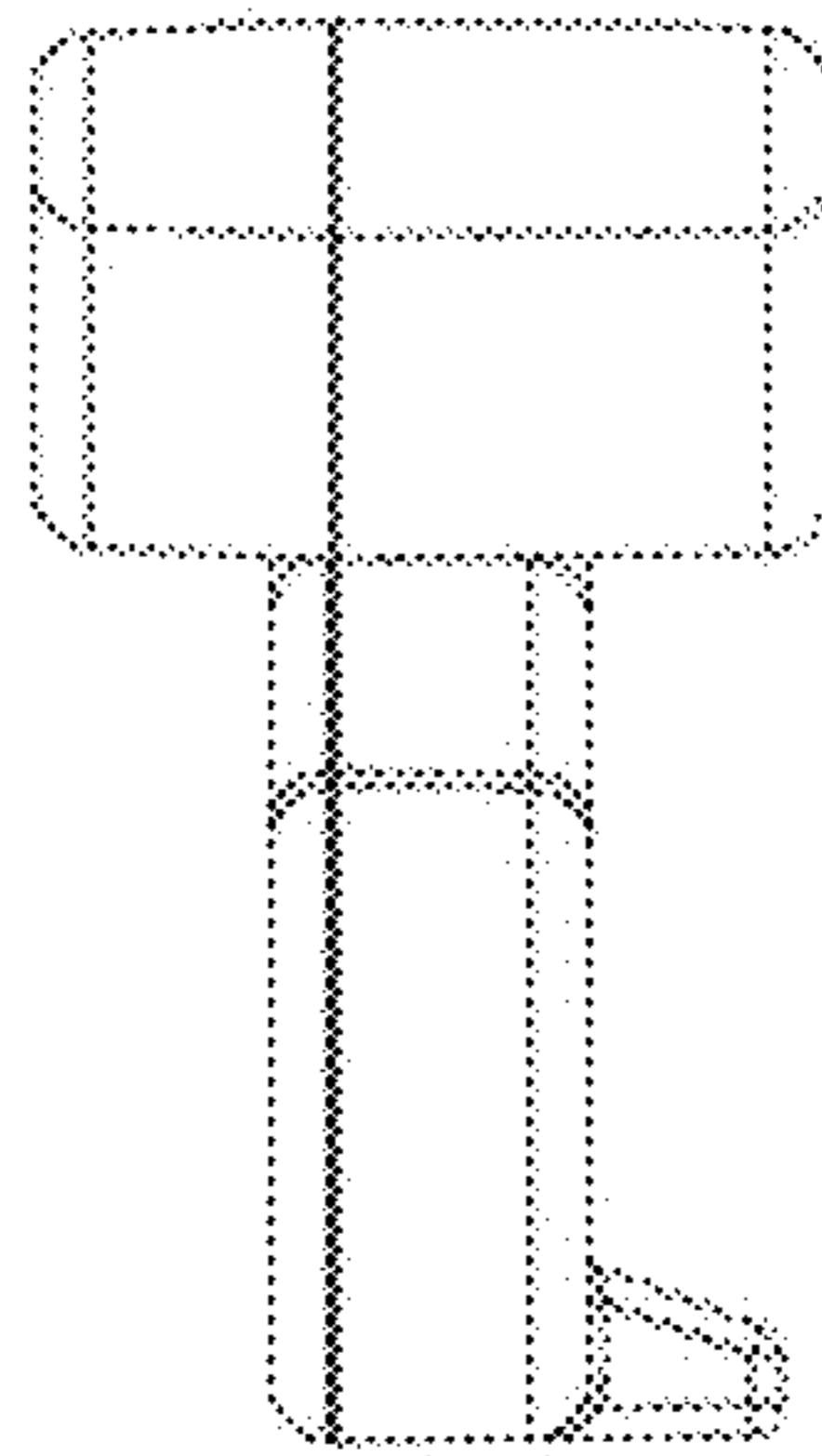
1.7



1.8



19



1.10

