



US00D791267S

(12) **United States Design Patent**
Bloch

(10) **Patent No.:** **US D791,267 S**

(45) **Date of Patent:** **** Jul. 4, 2017**

(54) **KNIFE HOLDER**

(71) Applicant: **Outdoor Edge Cutlery Corporation,**
Denver, CO (US)

(72) Inventor: **David R. Bloch,** Morrison, CO (US)

(73) Assignee: **Outdoor Edge Cutlery Corporation,**
Denver, CO (US)

(**) Term: **15 Years**

(21) Appl. No.: **29/550,733**

(22) Filed: **Jan. 6, 2016**

(51) **LOC (10) Cl.** **22-02**

(52) **U.S. Cl.**
USPC **D22/118**

(58) **Field of Classification Search**
USPC D22/118; 43/53.5; 452/103; D7/401.2;
D8/99, 107; 30/144, 151, 153, 340, 295,
30/321, 502, 286
CPC A22C 25/006; B26B 3/06; B26B 11/006;
G01G 3/02; G01G 19/60
See application file for complete search history.

(56) **References Cited**

U.S. PATENT DOCUMENTS

D514,421 S *	2/2006	Mineau	D7/401.2
D679,976 S *	4/2013	Chiu	D8/107
D683,204 S *	5/2013	Yamada	D8/107
D749,187 S *	2/2016	Pirrone	D22/118

OTHER PUBLICATIONS

U.S. Appl. No. 14/987,546, filed Jan. 4, 2016, Bloch.

* cited by examiner

Primary Examiner — Catheri Oliver-Garcia

(74) *Attorney, Agent, or Firm* — Sheridan Ross P.C.

(57) **CLAIM**

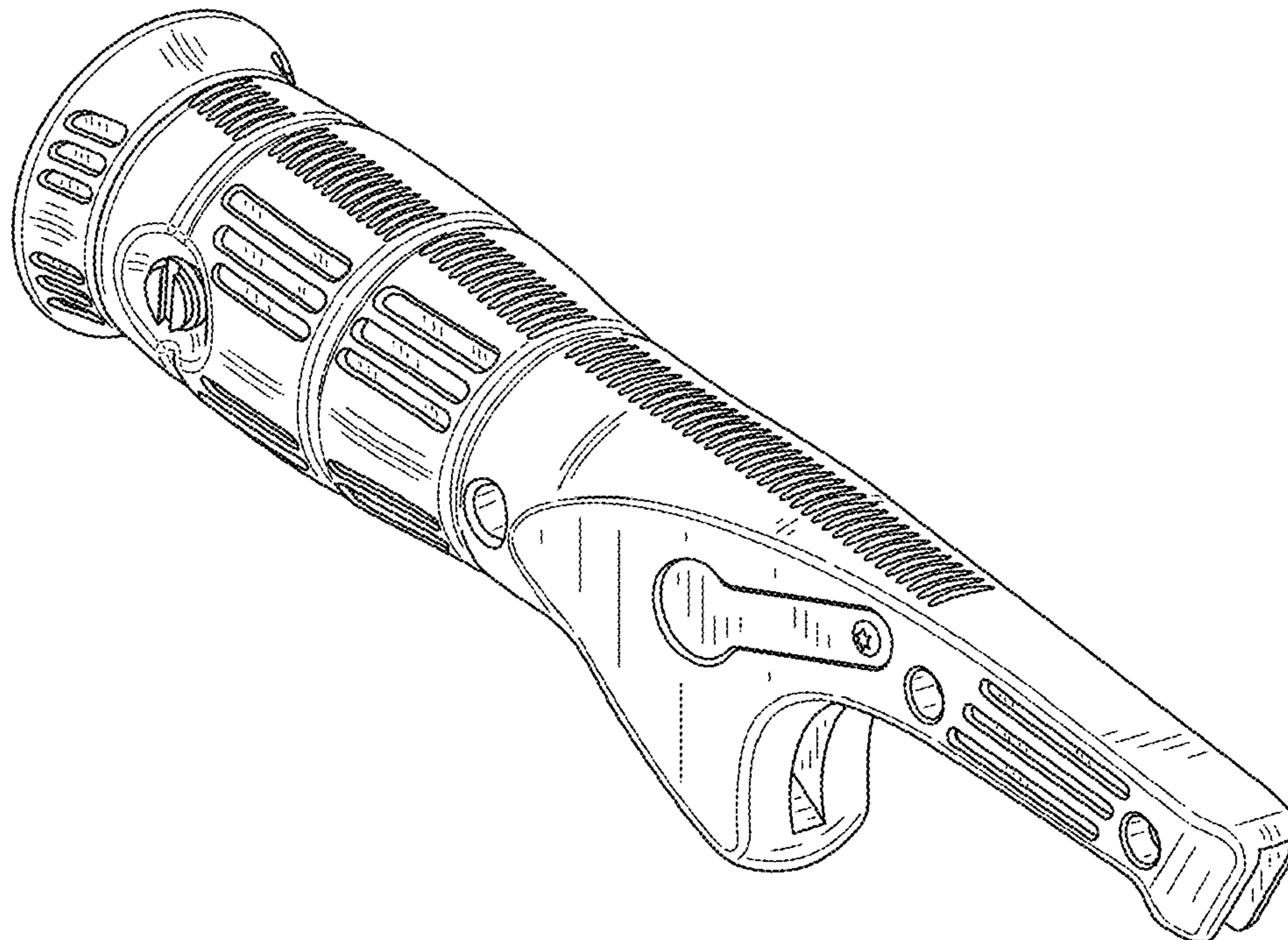
The ornamental design for a knife holder, as shown and described.

DESCRIPTION

FIG. 1 is a perspective view of the knife holder;
FIG. 2 is a front elevation view thereof;
FIG. 3 is a rear elevation view thereof;
FIG. 4 is a right elevation view thereof;
FIG. 5 is a left elevation view thereof;
FIG. 6 is a top plan view thereof;
FIG. 7 is a bottom plan view thereof; and,
FIG. 8 is a perspective view of the knife holder holding a knife.

The broken line showing in FIG. 8 comprises unclaimed subject matter.

1 Claim, 5 Drawing Sheets



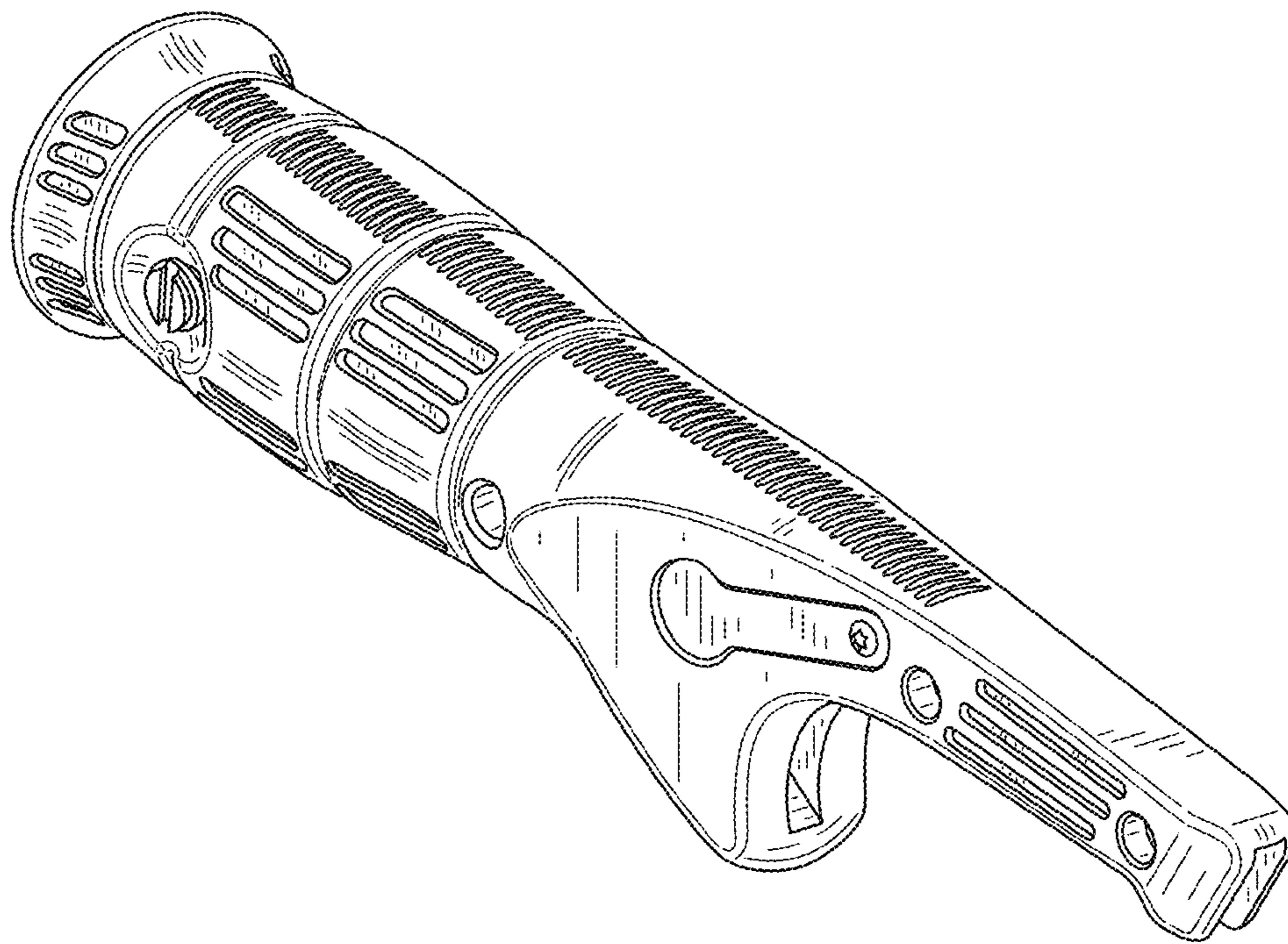


FIG.1

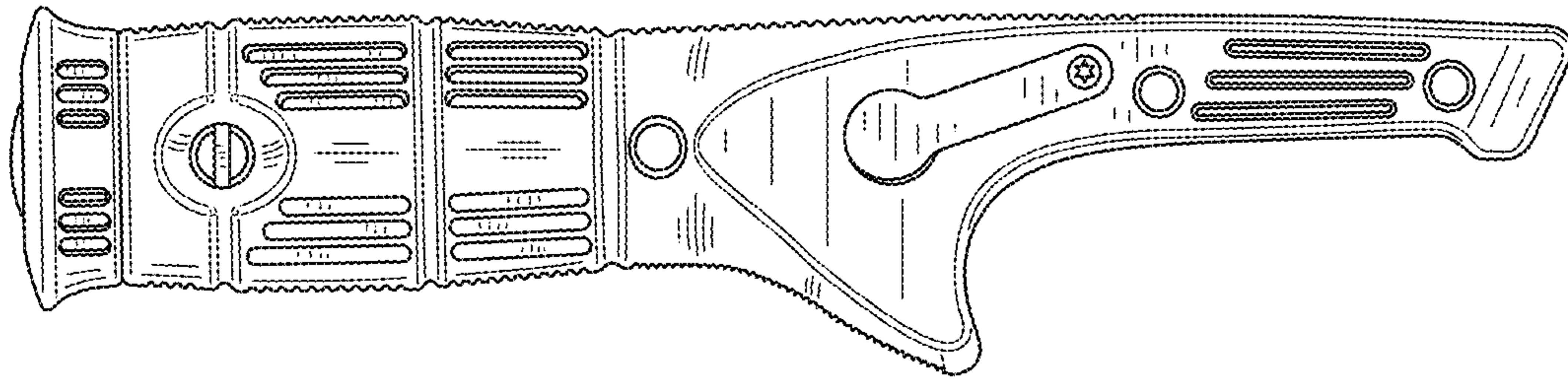


FIG. 2

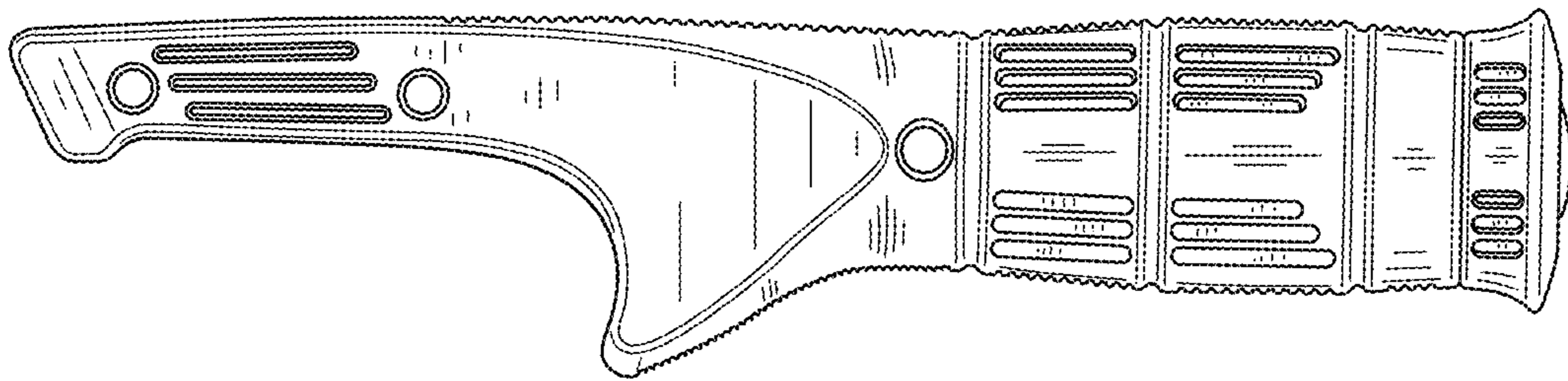


FIG. 3

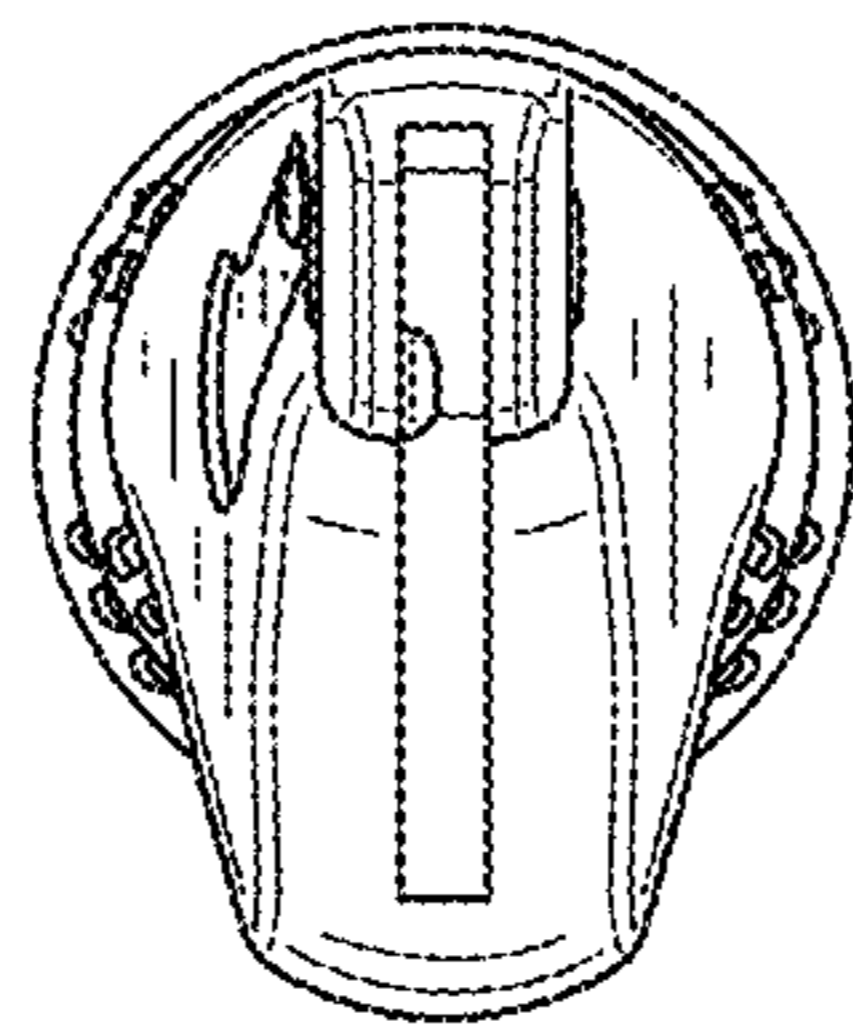


FIG. 4

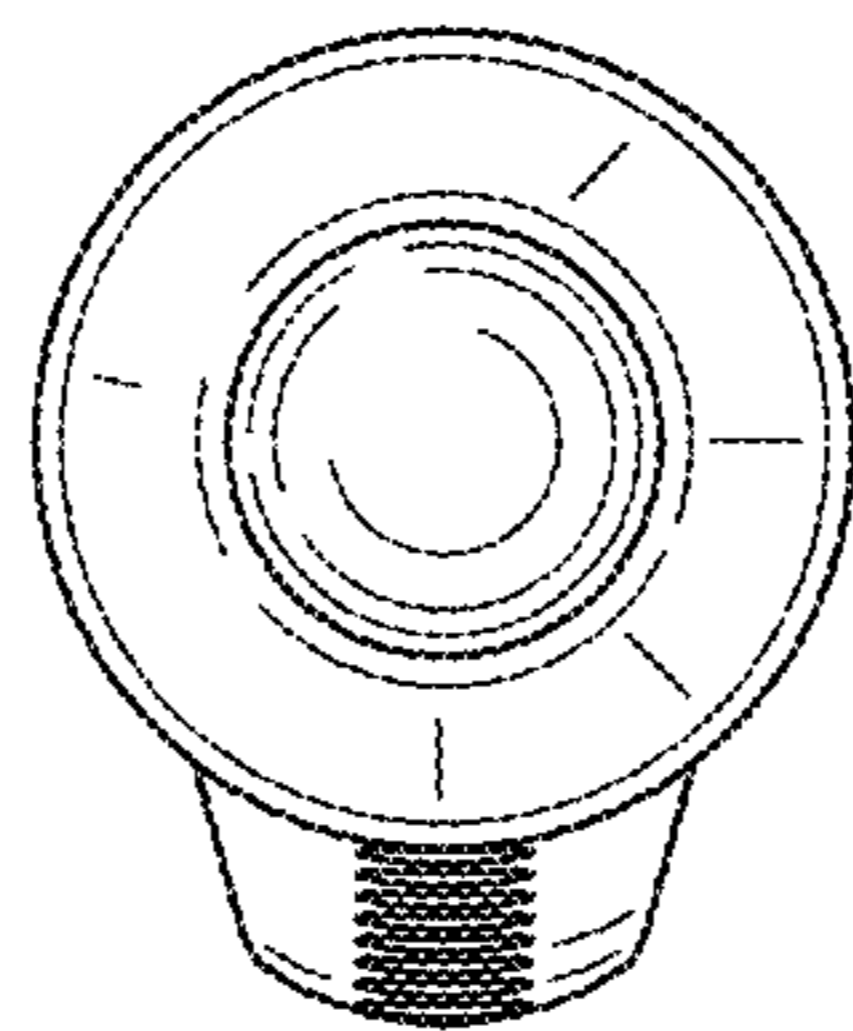


FIG. 5

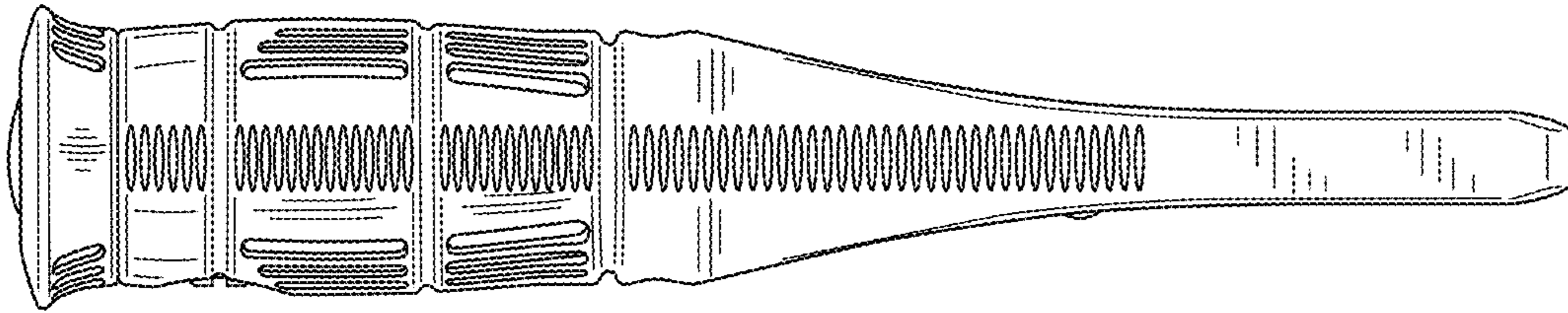


FIG. 6

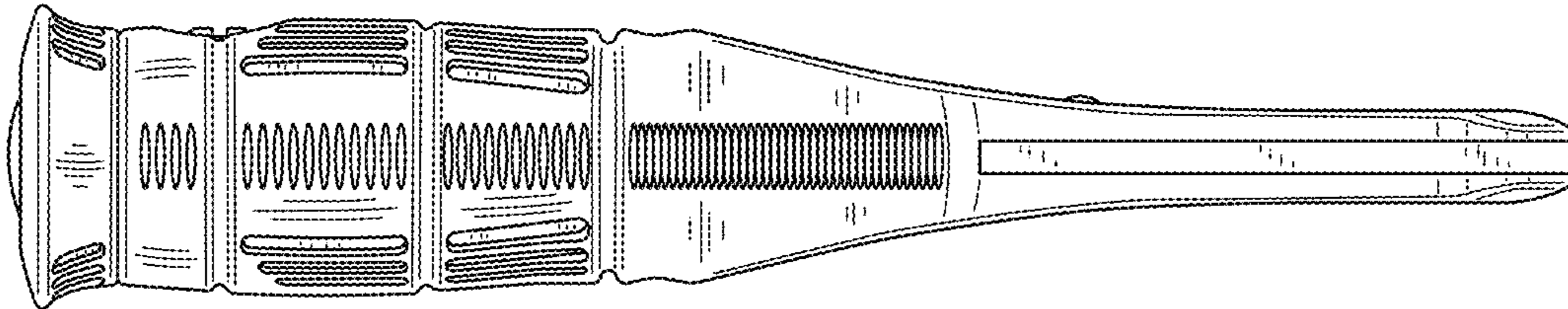


FIG. 7

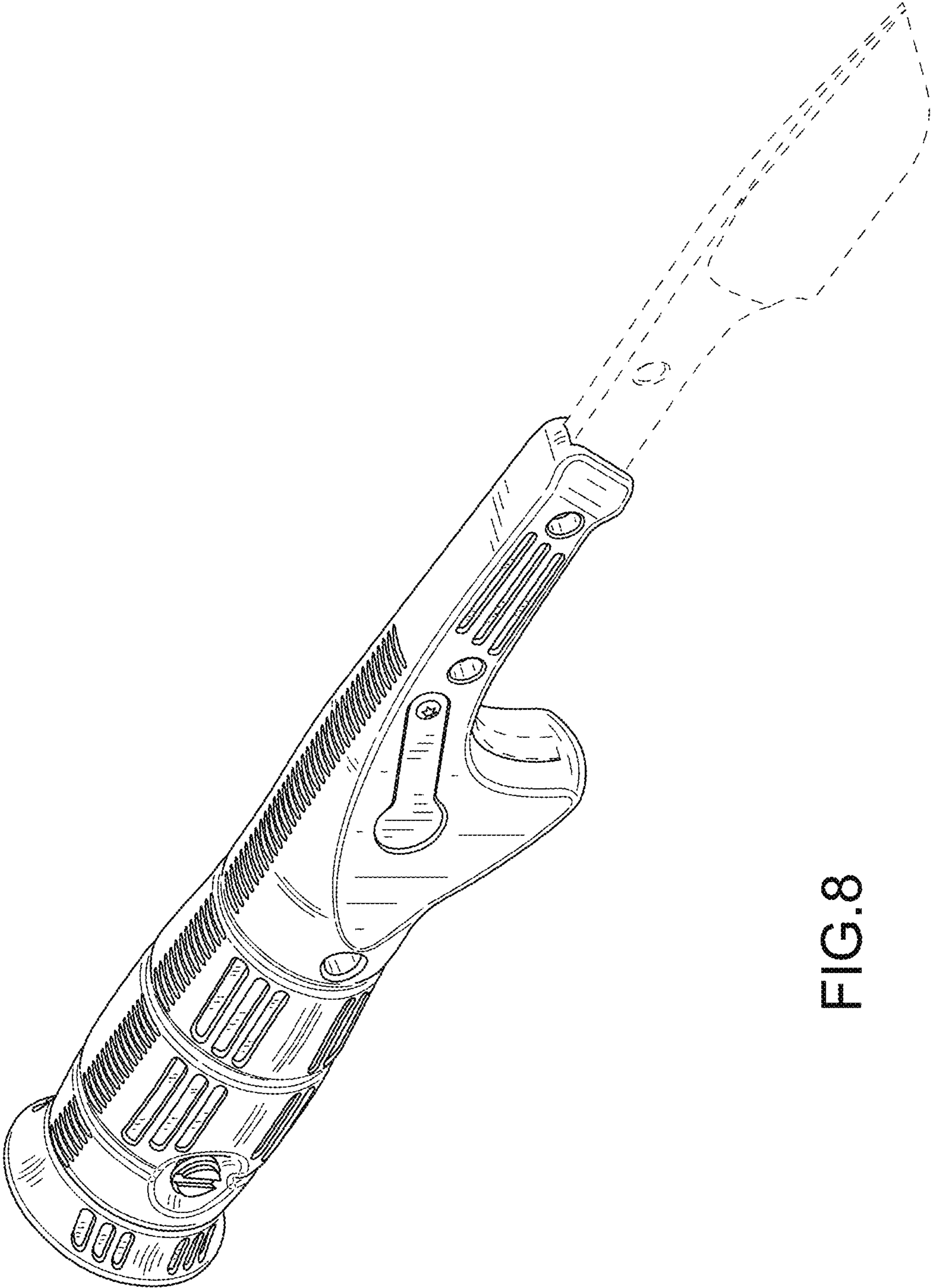


FIG.8