

US00D791265S

(12) **United States Design Patent** (10) **Patent No.:** **US D791,265 S**  
**Burczynski et al.** (45) **Date of Patent:** **\*\* Jul. 4, 2017**

- (54) **FIREARM BULLET AND PORTIONS OF A FIREARM CARTRIDGE**
- (71) Applicant: **RA Brands, L.L.C.**, Madison, NC (US)
- (72) Inventors: **Thomas J. Burczynski**, Montour Falls, NY (US); **Nick T. Sachse**, Oak Ridge, NC (US)
- (73) Assignee: **RA Brands, L.L.C.**, Madison, NC (US)
- (\*\*) Term: **15 Years**
- (21) Appl. No.: **29/528,405**
- (22) Filed: **May 28, 2015**

*Primary Examiner* — Michael A Pratt  
(74) *Attorney, Agent, or Firm* — Womble Carlyle Sandridge & Rice LLP

(57) **CLAIM**

The ornamental design for a firearm bullet and portions of a firearm cartridge, as shown and described.

**DESCRIPTION**

- Related U.S. Application Data**
- (60) Division of application No. 29/462,552, filed on Aug. 6, 2013, now Pat. No. Des. 733,834, which is a (Continued)
- (51) **LOC (10) Cl.** ..... **22-03**
- (52) **U.S. Cl.**  
USPC ..... **D22/115**
- (58) **Field of Classification Search**  
USPC ..... D22/115-116  
(Continued)

FIG. 1 is a top perspective view of a firearm bullet and portions of a firearm cartridge of the present invention, wherein a pair of substantially horizontal, closely adjacent broken lines is included for indicating that no particular length is being claimed;

FIG. 2 is a bottom perspective view of the bullet and portions of a cartridge of FIG. 1;

FIG. 3 is a front elevation view of the bullet and portions of a cartridge of FIG. 1;

FIG. 4 is a top plan view of the bullet and portions of a cartridge of FIG. 1;

FIG. 5 is a bottom plan view of the bullet and portions of a cartridge of FIG. 1;

FIG. 6 is a top perspective view of a firearm bullet and portions of a firearm cartridge, FIGS. 6-10 are respectively like FIGS. 1-5 except that shading is not shown, and the diagonal hatching designates a color and the horizontal hatching designates a color that is different from the color designated by the diagonal hatching;

FIG. 7 is a bottom perspective view of the bullet and portions of a cartridge of FIG. 6;

FIG. 8 is a front elevation view of the bullet and portions of a cartridge of FIG. 6;

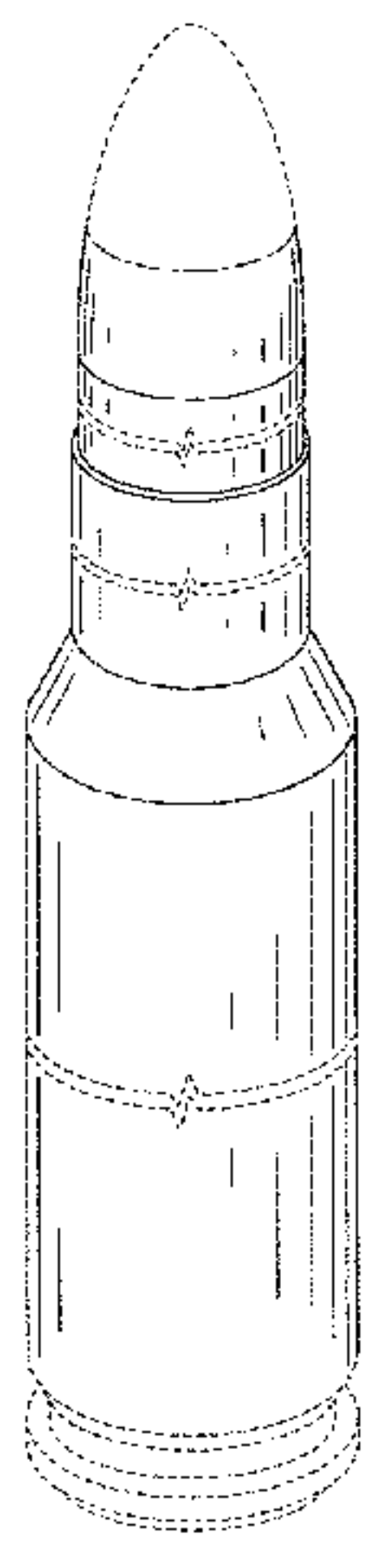
FIG. 9 is a top plan view of the bullet and portions of a cartridge of FIG. 6; and,

FIG. 10 is a bottom plan view of the bullet and portions of a cartridge of FIG. 6.

- (56) **References Cited**
- U.S. PATENT DOCUMENTS
- 1,081,616 A 12/1913 Johnson
- 1,892,158 A 12/1932 Matthews
- (Continued)
- FOREIGN PATENT DOCUMENTS
- DE 705504 C 4/1931
- DE 648039 C 7/1937
- (Continued)

- OTHER PUBLICATIONS
- Don Roberts, At Last! Pressure Data for the .30-40 Krag, Handloader: The Journal of Ammunition Reloading, Jul.-Aug. 1976, pp. cover, 4, 38-41, Issue 62, Wolfe Publishing.
- (Continued)

**1 Claim, 4 Drawing Sheets**



**Related U.S. Application Data**

continuation-in-part of application No. 13/748,841, filed on Jan. 24, 2013, now Pat. No. 8,950,333, and a continuation-in-part of application No. 13/190,972, filed on Jul. 26, 2011, now Pat. No. 8,752,484.

(58) **Field of Classification Search**

CPC .... F42B 30/02; F42B 8/02; F42B 8/04; F42B 8/06; F42B 5/02; F42B 5/26; F42B 5/28; F42B 5/30; F42B 5/32; F42B 5/34; F42B 5/36; F42B 5/38

See application file for complete search history.

(56) **References Cited**

U.S. PATENT DOCUMENTS

2,322,751	A	6/1943	Studler	
2,696,130	A	12/1954	Peters	
3,142,256	A	7/1964	Mack	
3,143,966	A	8/1964	Burns, Jr. et al.	
3,157,137	A	11/1964	Burns, Jr.	
3,311,962	A	4/1967	Burns, Jr.	
3,349,711	A	10/1967	Darigo et al.	
3,881,421	A	5/1975	Burczynski	
4,044,679	A	8/1977	Pagano et al.	
4,108,073	A	8/1978	Davis	
4,336,756	A	6/1982	Schreiber	
4,352,225	A	10/1982	Schreiber	
4,517,897	A	5/1985	Kneubühl	
4,550,662	A	11/1985	Burczynski	
4,660,263	A	4/1987	Kosteck	
4,776,279	A	10/1988	Pejsa	
4,793,037	A	12/1988	Carter	
4,856,160	A	8/1989	Habbe et al.	
4,870,884	A	10/1989	Schubart et al.	
4,878,434	A	11/1989	Sommet	
4,947,755	A	8/1990	Burczynski	
5,131,123	A	7/1992	Brooks	
5,160,805	A	11/1992	Winter	
5,357,866	A	10/1994	Schluckebier et al.	
5,385,100	A	1/1995	Corzine et al.	
5,385,101	A	1/1995	Corzine et al.	
5,535,495	A	7/1996	Gutowski	
5,686,693	A	11/1997	Jakobsson	
D389,221	S	1/1998	Borg	
5,943,749	A	8/1999	Swank	
6,119,600	A	9/2000	Burri	
6,213,022	B1	4/2001	Pullum	
6,244,187	B1	6/2001	Head	
D447,208	S *	8/2001	Benini	D22/116
D447,209	S *	8/2001	Benini	D22/116
6,530,328	B2	3/2003	Burczynski	
6,600,126	B2	7/2003	Steinhoff et al.	
6,776,101	B1	8/2004	Pickard	
6,805,057	B2	10/2004	Carr	
6,973,879	B1	12/2005	McElroy et al.	
7,143,679	B2	12/2006	Yaich	
7,210,411	B2	5/2007	Booth et al.	
7,322,297	B2	1/2008	Yaich	
7,380,502	B2	6/2008	Emary	
7,503,260	B2	3/2009	Kapeles	
7,748,325	B2	7/2010	Marx	
D621,468	S	8/2010	Nilsson	
7,854,083	B1	12/2010	Aalto	
7,874,253	B2	1/2011	Marx	
7,891,298	B2	2/2011	Minick et al.	
7,908,780	B2	3/2011	Fitzpatrick et al.	
D646,179	S	10/2011	Jansen	
8,042,297	B2	10/2011	Emde	
8,061,255	B1	11/2011	Boberg	
8,117,967	B2	2/2012	Salvel	
8,161,885	B1	4/2012	Emary	
8,171,852	B1	5/2012	Rebar	
8,186,277	B1	5/2012	King	
D664,042	S	7/2012	Kurpis	
8,256,352	B2	9/2012	Masinelli	

8,397,641	B1	3/2013	Jackson	
8,448,575	B2	5/2013	Goddard	
8,511,233	B2	8/2013	Nilsson	
8,540,828	B2 *	9/2013	Busky	C06B 39/00 149/108.8
8,640,589	B2	2/2014	Dryer et al.	
8,646,389	B2	2/2014	Masinelli	
8,752,484	B2	6/2014	Burczynski	
8,763,535	B2	7/2014	Padgett	
8,789,470	B2	7/2014	Frank	
8,950,333	B2	2/2015	Burczynski et al.	
D733,252	S *	6/2015	Burczynski	D22/115
D733,834	S *	7/2015	Burczynski	D22/115
D733,835	S *	7/2015	Burczynski	D22/115
D733,836	S *	7/2015	Burczynski	D22/115
D733,837	S *	7/2015	Burczynski	D22/115
D734,419	S *	7/2015	Burczynski	D22/115
D735,289	S *	7/2015	Burczynski	D22/115
D751,166	S *	3/2016	Seecamp	D22/116
D753,259	S *	4/2016	Masinelli	D22/116
2005/0183617	A1	8/2005	MacDougall	
2006/0027128	A1	2/2006	Hober	
2006/0027132	A1	2/2006	Libra	
2007/0089629	A1	4/2007	Marx	
2007/0204758	A1	9/2007	Spatz et al.	
2008/0035008	A1	2/2008	Riess et al.	
2009/0288572	A1	11/2009	Sauvestre	
2010/0224093	A1	9/2010	Wilhelm et al.	
2010/0263565	A1	10/2010	Hugus, IV et al.	
2011/0088537	A1	4/2011	Eberhart	
2011/0179965	A1	7/2011	Mason	
2011/0252997	A1	10/2011	Hoffman	
2012/0124879	A1	5/2012	Larue	
2012/0227615	A1	9/2012	Beal	
2013/0014664	A1	1/2013	Padgett	
2013/0014668	A1	1/2013	Emary	
2013/0025490	A1	1/2013	Burczynski	
2013/0086834	A1	4/2013	Battaglia	
2013/0305950	A1	11/2013	Coffman, II	
2014/0261044	A1	9/2014	Seecamp	
2014/0311372	A1	10/2014	Burczynski et al.	
2014/0331885	A1	11/2014	Burczynski	

FOREIGN PATENT DOCUMENTS

DE	743914	C	1/1942
DE	1072515		12/1959
DE	2064553	A1	7/1972
EP	0225532	A1	6/1987
EP	0918208	A1	5/1999
GB	191300326	A	1/1914
WO	WO 2013/016330		1/2013
WO	WO 2014/116950		7/2014
WO	WO 2014/186007		11/2014

OTHER PUBLICATIONS

George C. Lambert, letter to Mr. C. V. Bracher regarding "Belted Bullet", Mar. 4, 1936, 1 pages, Peters Cartridge Division of Remington Arms Co., Inc., Bridgeport, CT.

International Search Report for PCT/US2012/047966 dated Oct. 16, 2012.

Maj. George Nonte, Tip to Tip, Handloader: The Journal of Ammunition Reloading, Jul.-Aug. 1976, pp. cover, 4, 12-13, Issue 62, Wolfe Publishing Company, Inc., Prescott.

Photograph of .30 U.S. Govt. 1906—180 GRA . . . ; Scientific Bullet Design Ins . . . Superfine Accuracy; and Heavy Jacket Re-Inforced by Belt.

Sharpe, Philp Burdette, "Complete Guide to Handloading", pp. 41-43, third edition, Wolfe Pub Co.; 1988.

Written Opinion for PCT/US2012/047966 dated Oct. 16, 2012.

International Search Report dated Apr. 17, 2014 for International Application No. PCT/US2014/012952 filed Jan. 24, 2014.

Written Opinion dated Apr. 17, 2014 for International Application No. PCT/US2014/012952 filed Jan. 24, 2014.

(56)

**References Cited**

OTHER PUBLICATIONS

International Search Report dated Oct. 7, 2014 for PCT/US2014/015672 filed Feb. 11, 2014.

Written Opinion dated Oct. 7, 2014 for PCT/US2014/015672 filed Feb. 11, 2014.

Notice of Allowance for U.S. Appl. No. 13/748,841 mailed Oct. 2, 2014.

Non-final Office Action for U.S. Appl. No. 14/303,908 dated Mar. 23, 2015.

\* cited by examiner



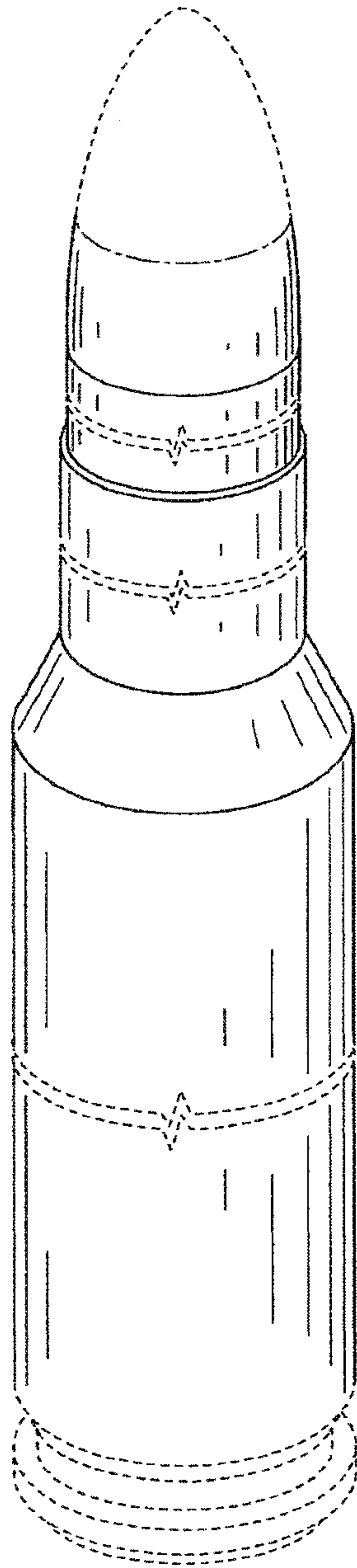


FIG. 1

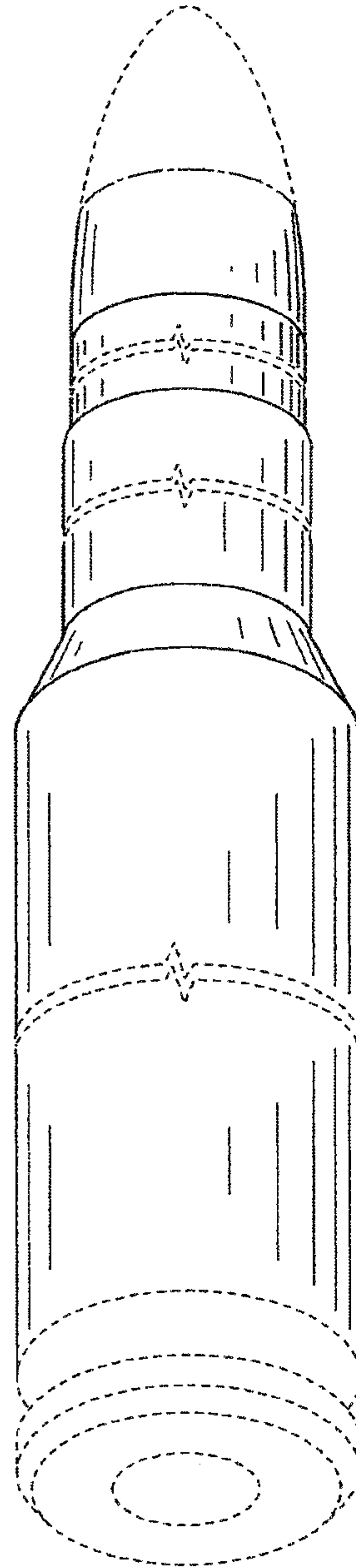


FIG. 2

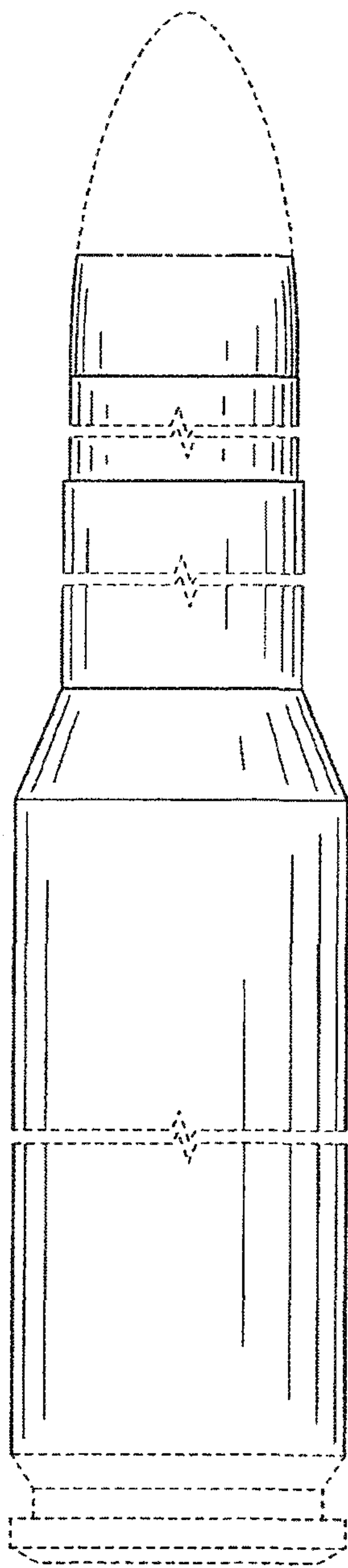


FIG. 3

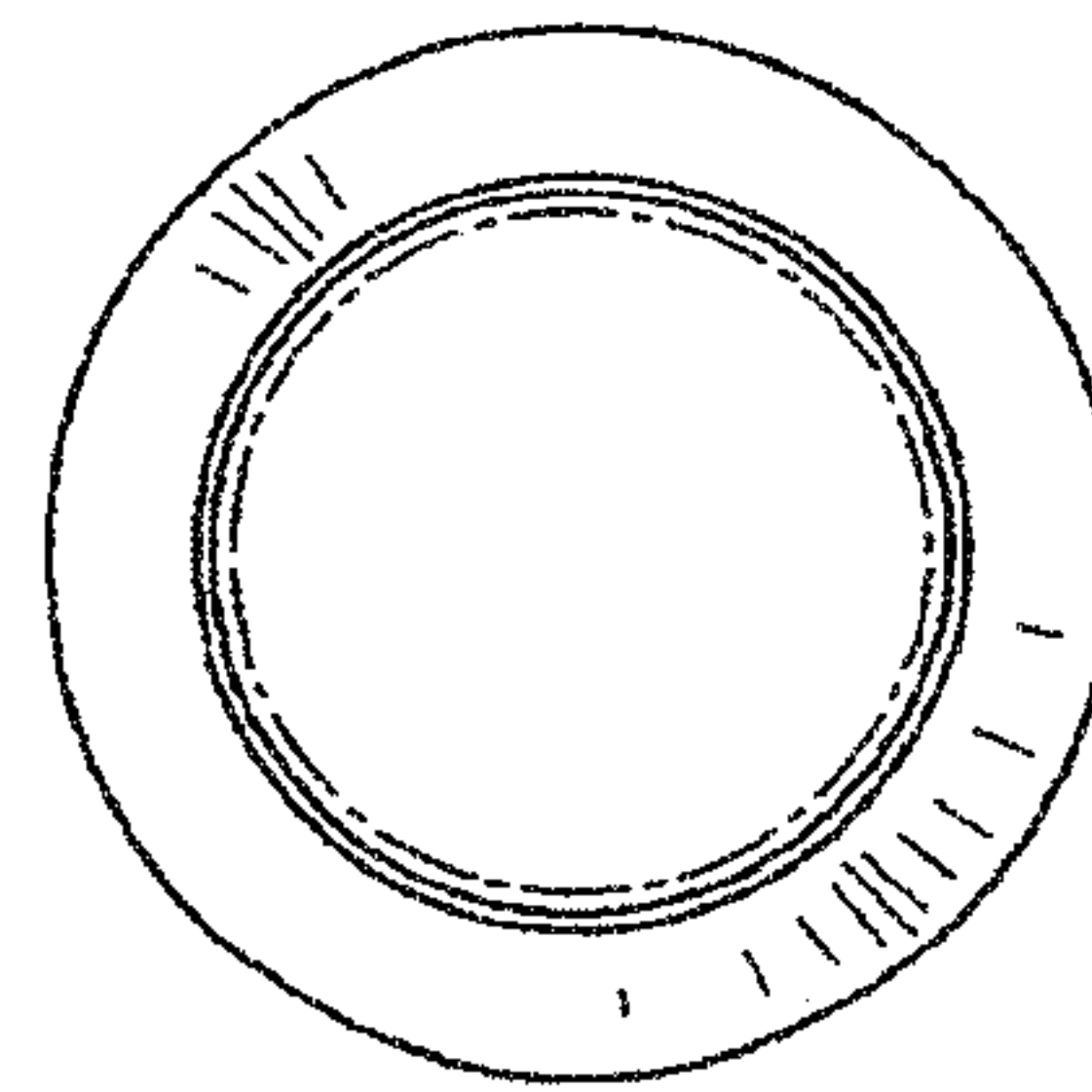


FIG. 4

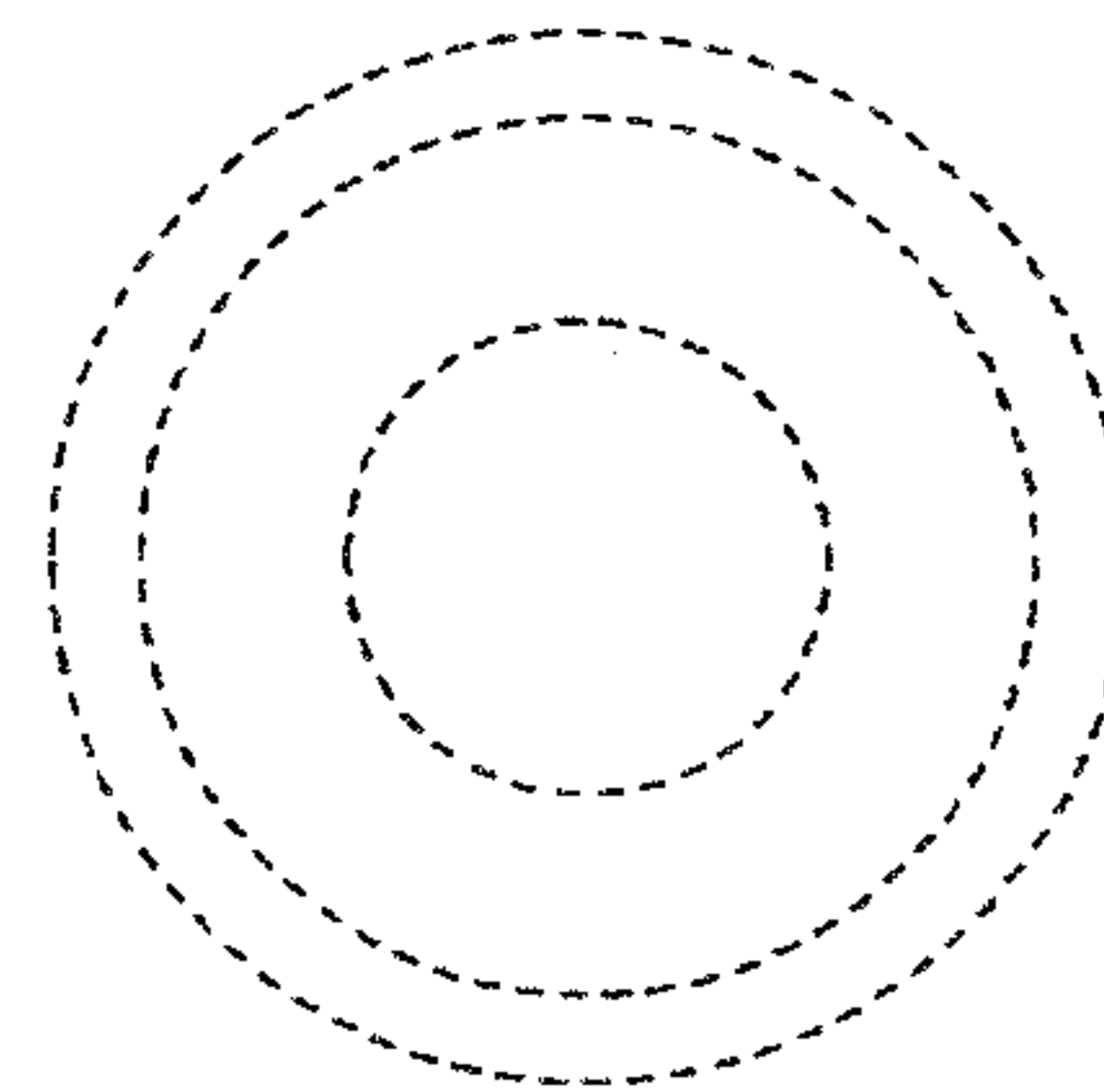


FIG. 5

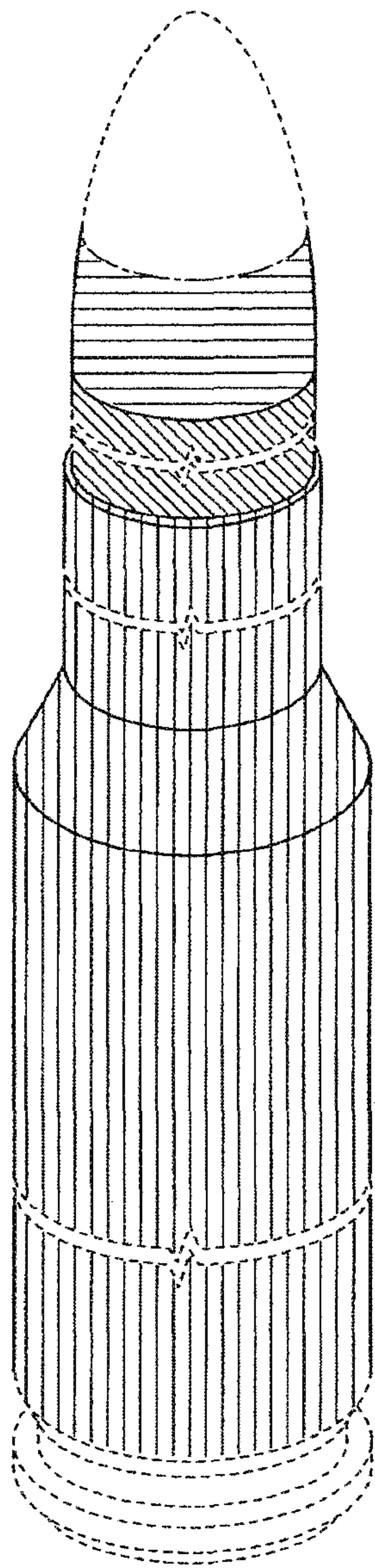


FIG. 6

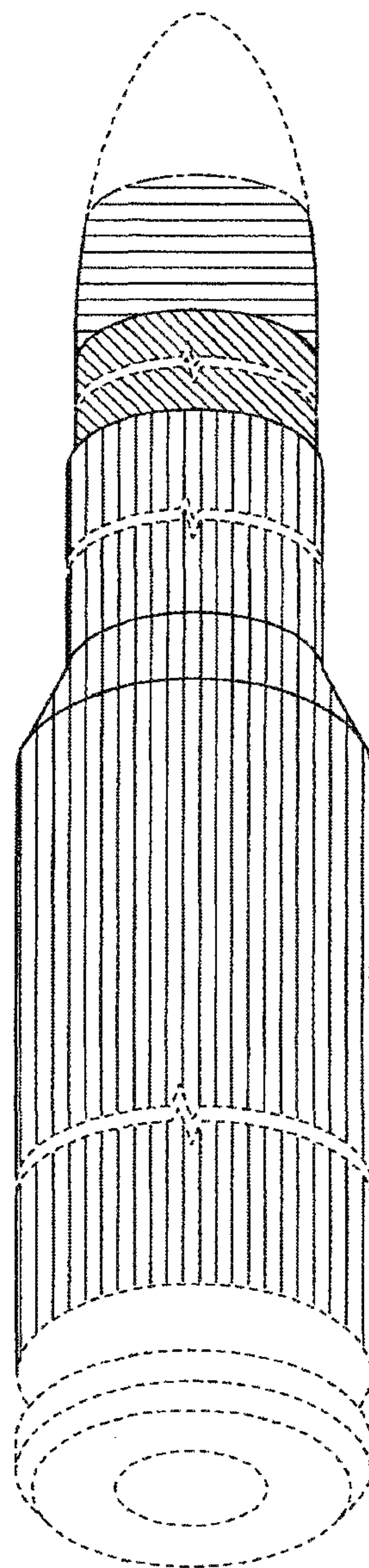


FIG. 7

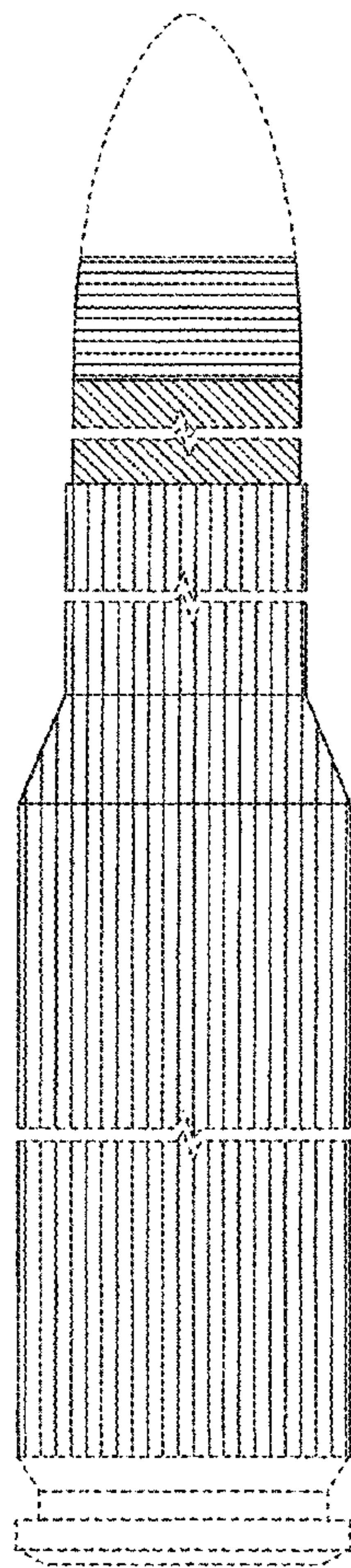


FIG. 8

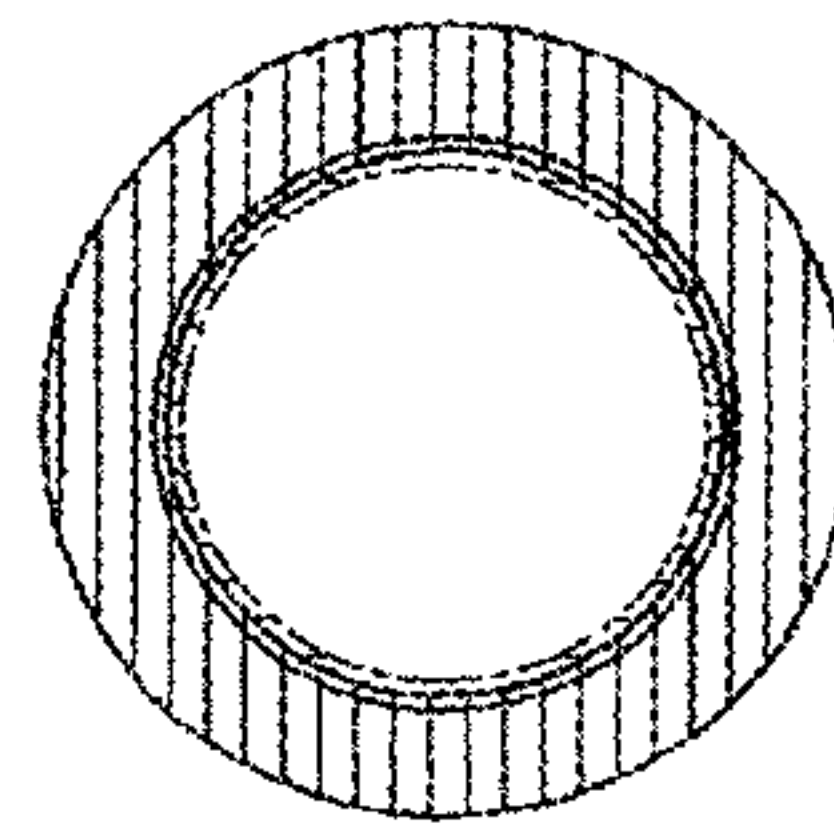


FIG. 9

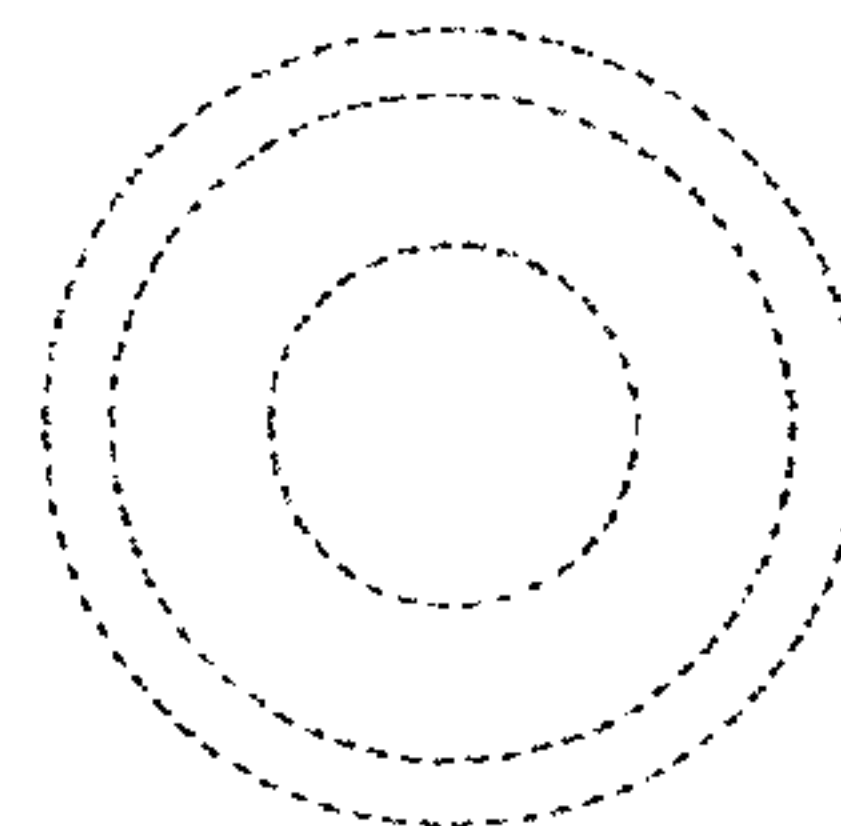


FIG. 10