



US00D791262S

(12) **United States Design Patent**
Brown et al.

(10) **Patent No.:** **US D791,262 S**
(45) **Date of Patent:** **** Jul. 4, 2017**

- (54) **PISTOL**
- (71) Applicant: **Sturm, Ruger & Company, Inc.**,
Southport, CT (US)
- (72) Inventors: **Nathan Brown**, Dunbarton, NH (US);
Ryan Scott Crisp, Lewis Center, OH (US);
Christopher Scott Daniels, Columbus, OH (US);
Kurt Hindle, Sturbridge, MA (US); **Mark Edward Mnich**,
Westerville, OH (US); **Darin Nebeker**, Gilbert, AZ (US);
Samuel Vavro, Dacono, CO (US); **Joseph J. Zajk**,
Prescott, AZ (US)

- 8,950,100 B2 * 2/2015 Nebeker F41A 3/64
29/426.1
- 9,322,610 B2 * 4/2016 Zajk F41C 23/16
- D755,324 S * 5/2016 Martelli D22/104
- D755,907 S * 5/2016 Hu D21/574
- 9,383,153 B2 * 7/2016 Nebeker F41A 17/56

* cited by examiner

Primary Examiner — Michael A Pratt
(74) *Attorney, Agent, or Firm* — The Belles Group, P.C.

(73) Assignee: **STURM, RUGER & COMPANY, INC.**

- (**) Term: **15 Years**
- (21) Appl. No.: **29/549,651**
- (22) Filed: **Dec. 28, 2015**

Related U.S. Application Data

- (63) Continuation-in-part of application No. 14/531,013,
filed on Nov. 3, 2014, now Pat. No. 9,322,610.
- (51) **LOC (10) Cl.** **22-01**
- (52) **U.S. Cl.**
USPC **D22/104**
- (58) **Field of Classification Search**
USPC D22/104, 108; D21/572-575; D14/418
CPC F41C 3/14; F41C 3/16; F41C 3/04
See application file for complete search history.

(56) **References Cited**

U.S. PATENT DOCUMENTS

- D593,629 S * 6/2009 Bantle D22/104
- D627,028 S * 11/2010 Coulombier D22/104
- D671,610 S * 11/2012 Nebeker D22/104

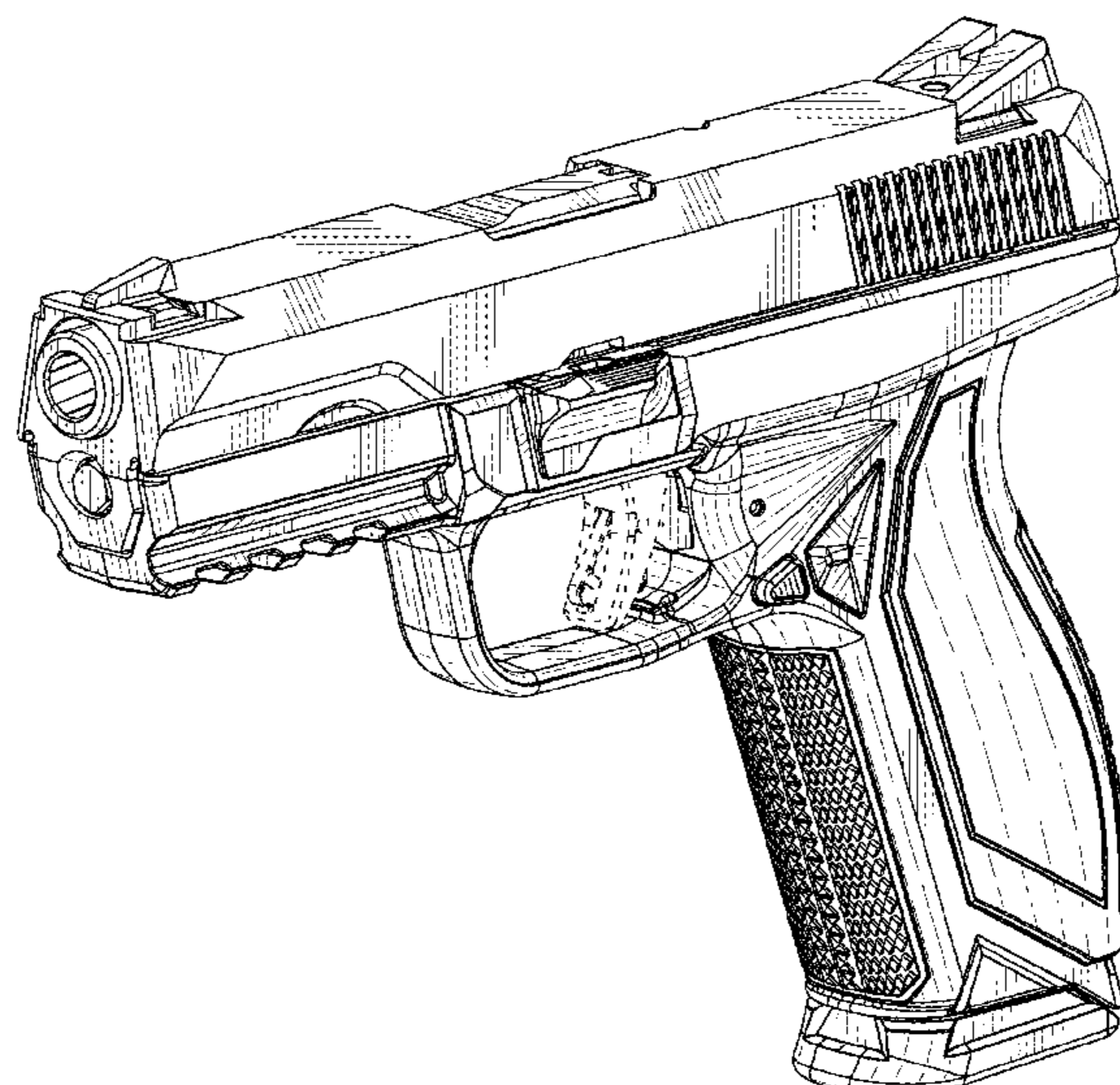
(57) **CLAIM**
The ornamental design for a pistol, as shown and described.

DESCRIPTION

FIG. 1 is a left front perspective view of a first embodiment of a pistol according to the new design;
 FIG. 2 is a right front perspective view thereof;
 FIG. 3 is a left rear perspective view thereof;
 FIG. 4 is a right rear perspective view thereof;
 FIG. 5 is a left side elevation view thereof;
 FIG. 6 is a right side elevation view thereof;
 FIG. 7 is a front elevation view thereof;
 FIG. 8 is a rear elevation view thereof;
 FIG. 9 is a top plan view thereof;
 FIG. 10 is a bottom plan view thereof;
 FIG. 11 is a left front perspective view of a second embodiment of a pistol according to the new design;
 FIG. 12 is a right front perspective view thereof;
 FIG. 13 is a left rear perspective view thereof;
 FIG. 14 is a right rear perspective view thereof;
 FIG. 15 is a left side elevation view thereof;
 FIG. 16 is a right side elevation view thereof;
 FIG. 17 is a front elevation view thereof;
 FIG. 18 is a rear elevation view thereof;
 FIG. 19 is a top plan view thereof; and,
 FIG. 20 is a bottom plan view thereof.

All broken lines shown in the drawings are for illustrative purposes only and form no part of the claimed design.

1 Claim, 16 Drawing Sheets



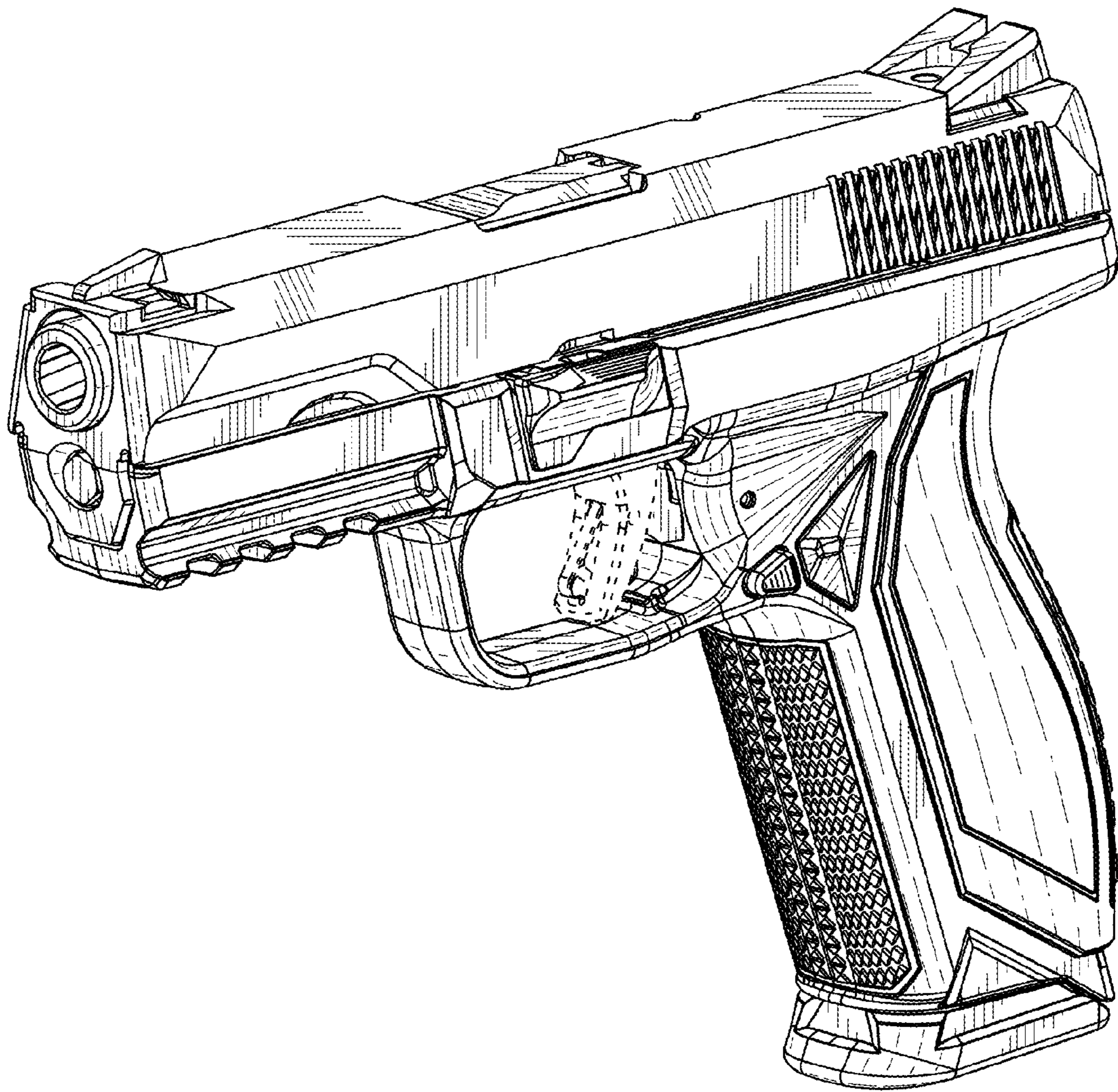


FIG. 1



FIG. 2



FIG. 3



FIG. 4

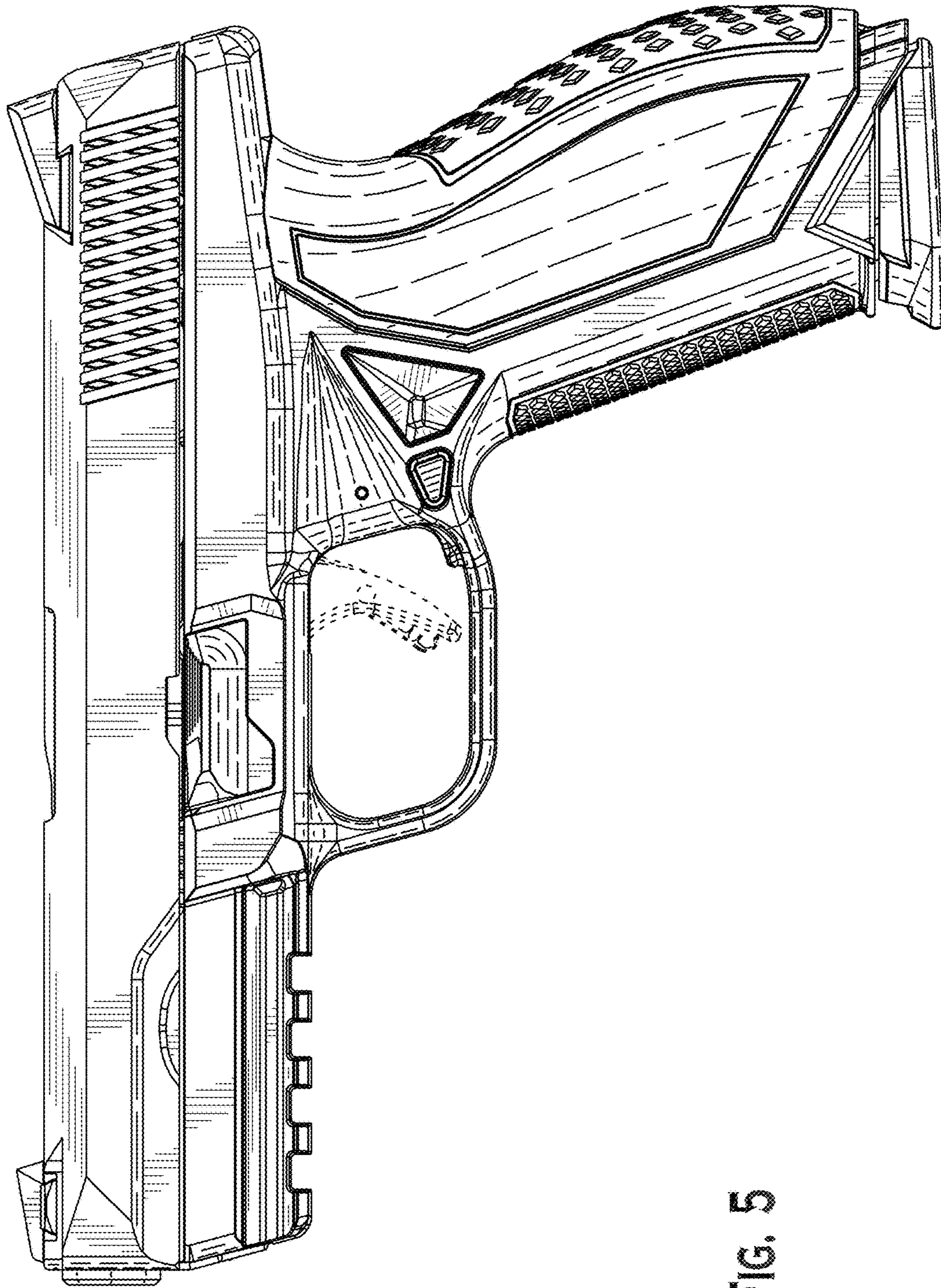


FIG. 5

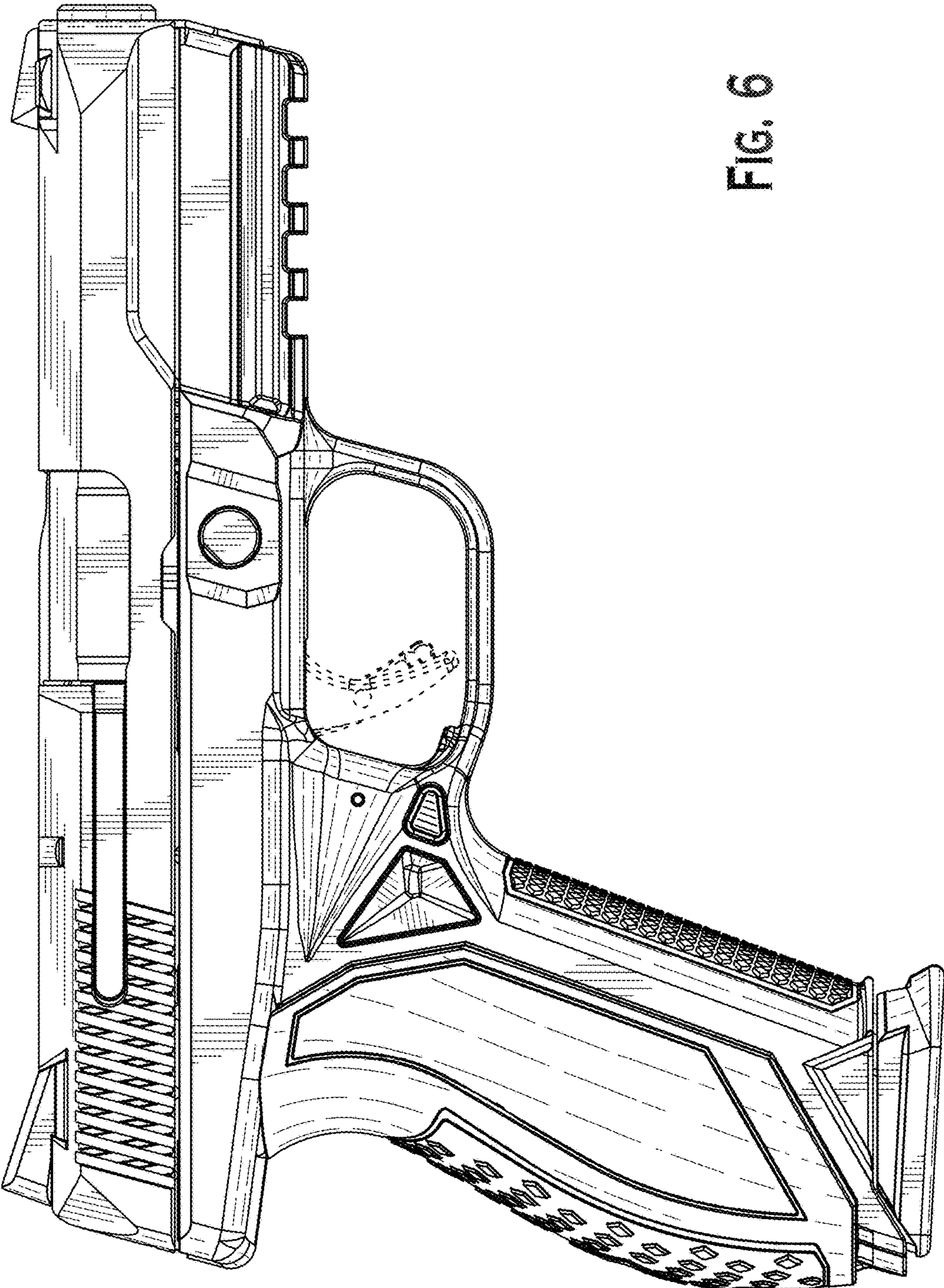


FIG. 6

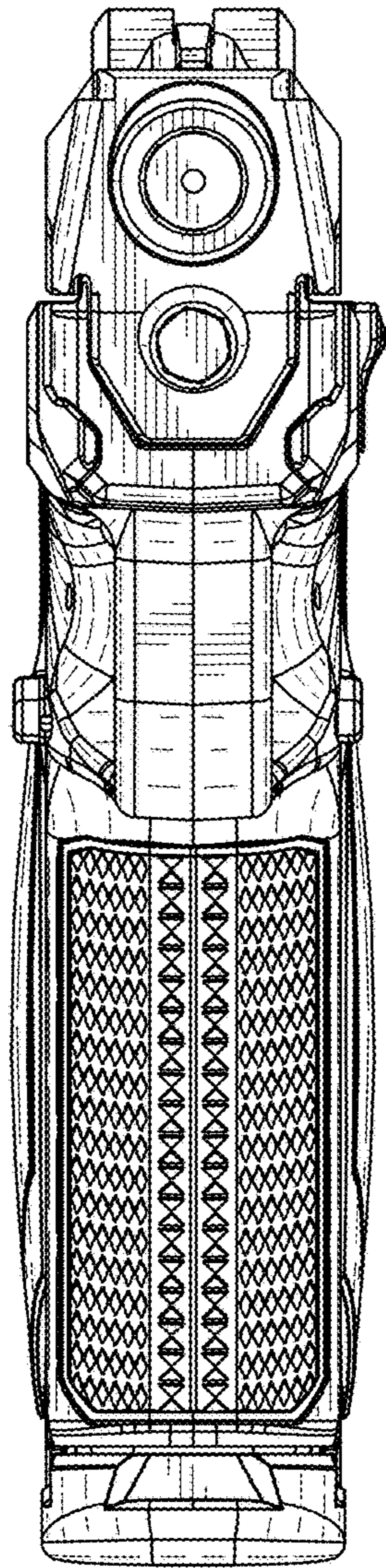


FIG. 7

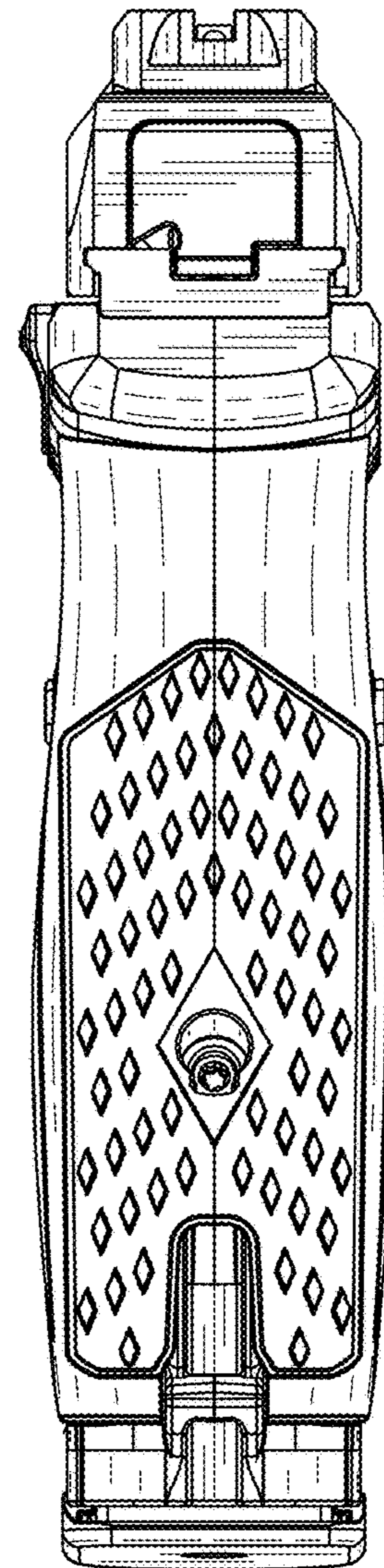


FIG. 8

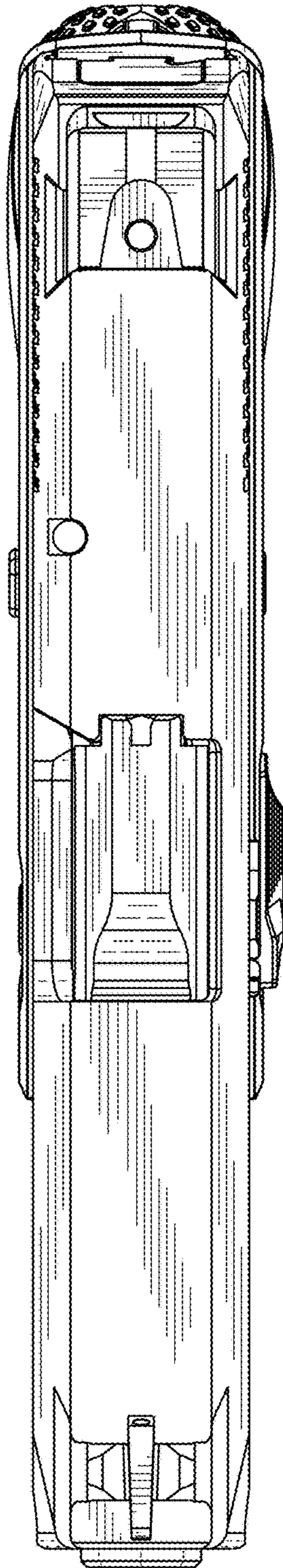


FIG. 9

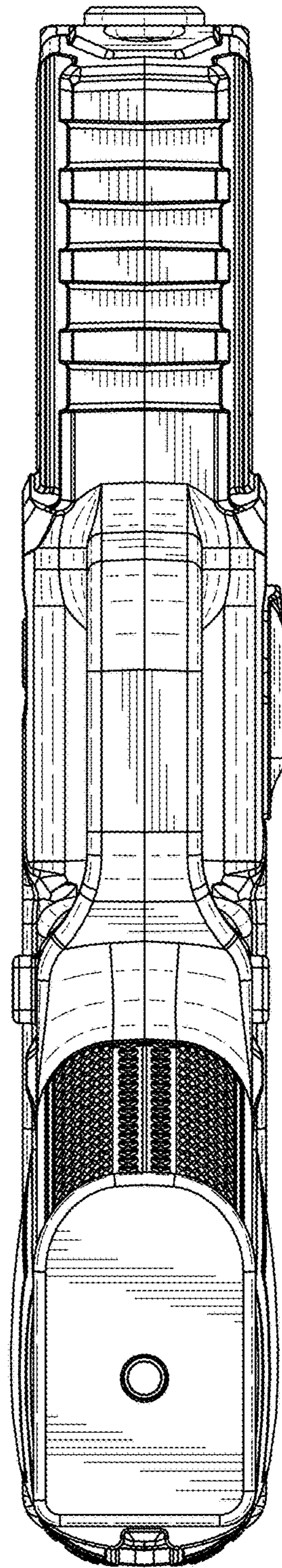


FIG. 10

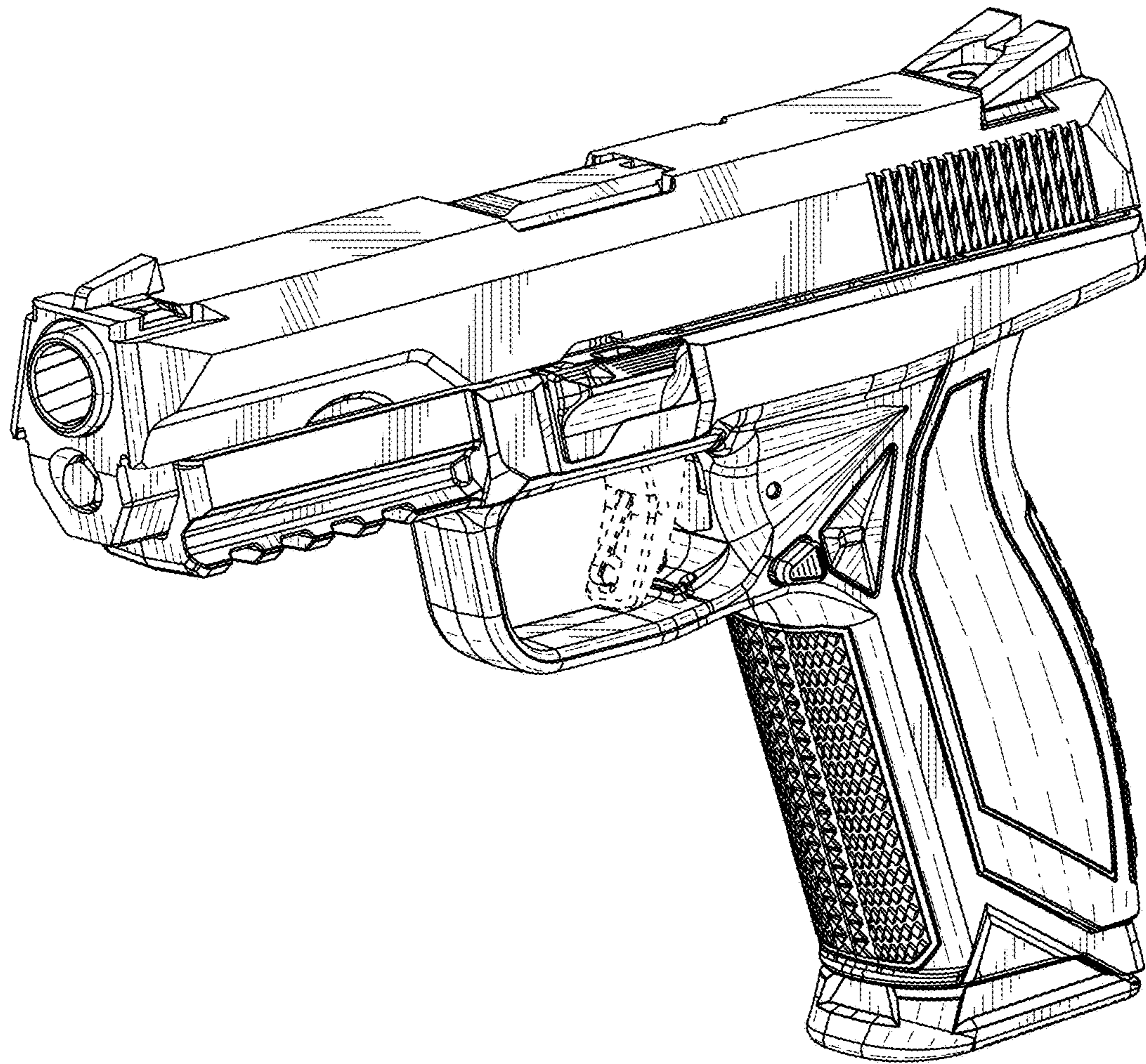


FIG. 11

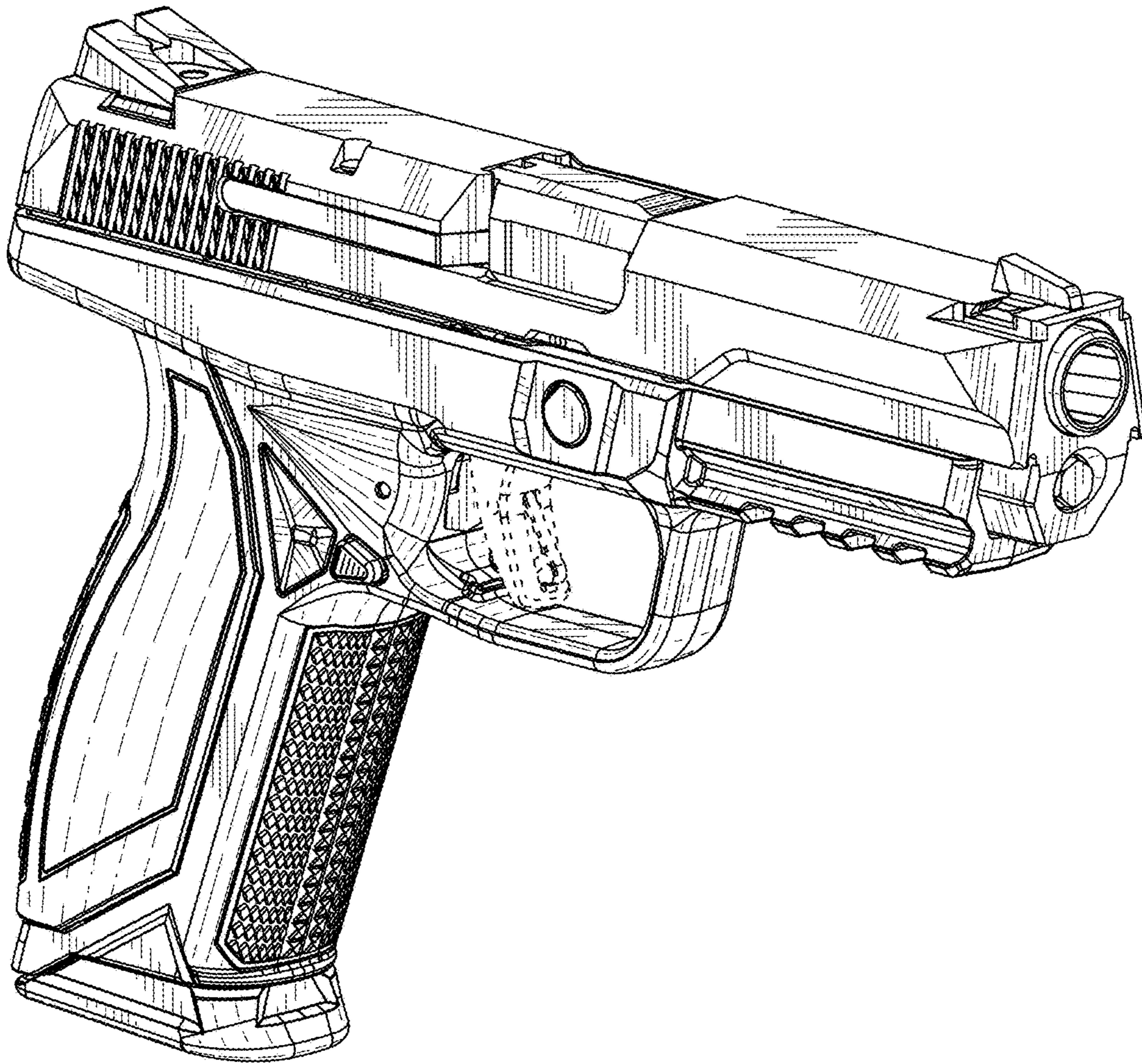


FIG. 12



FIG. 13



FIG. 14

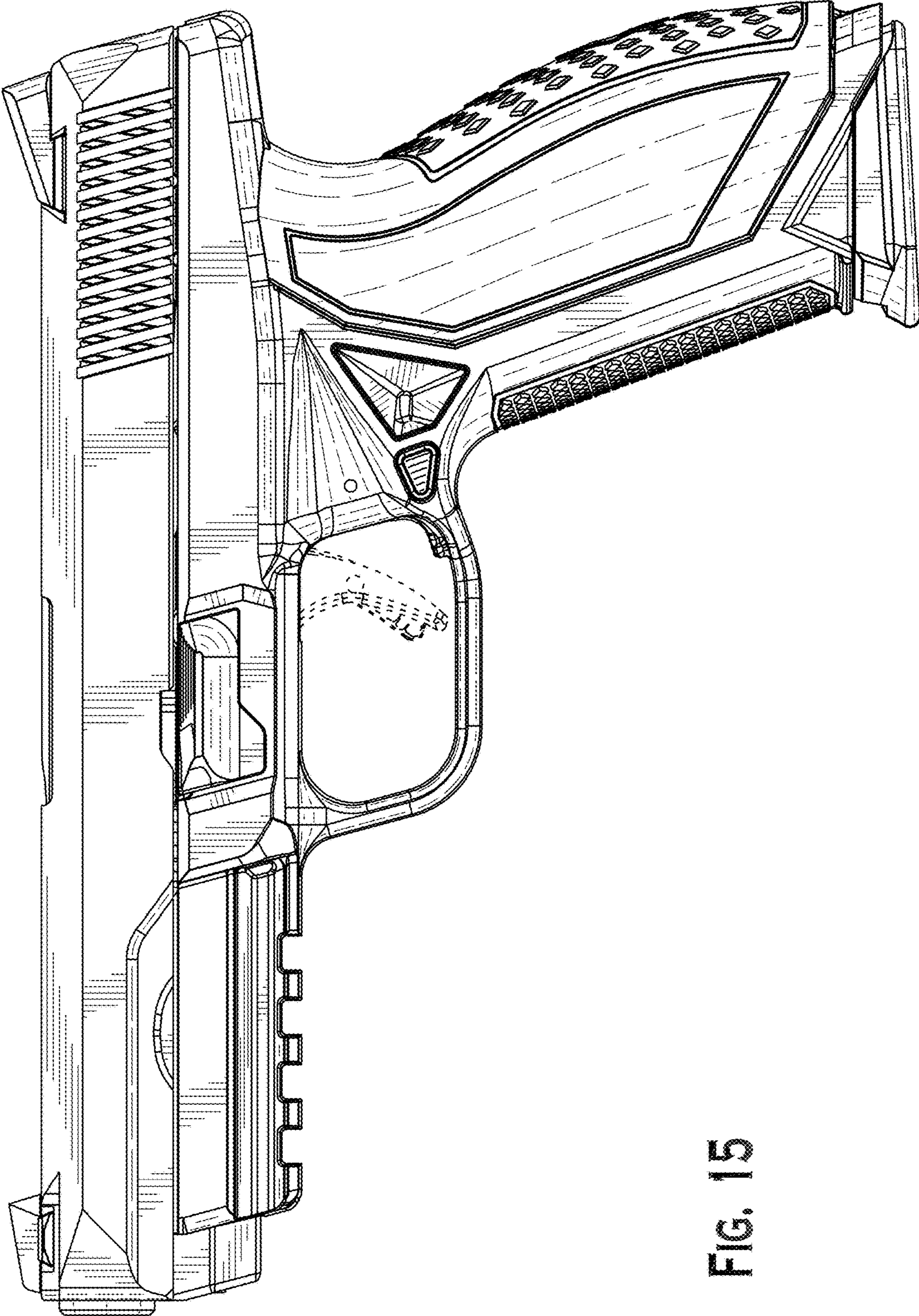


FIG. 15

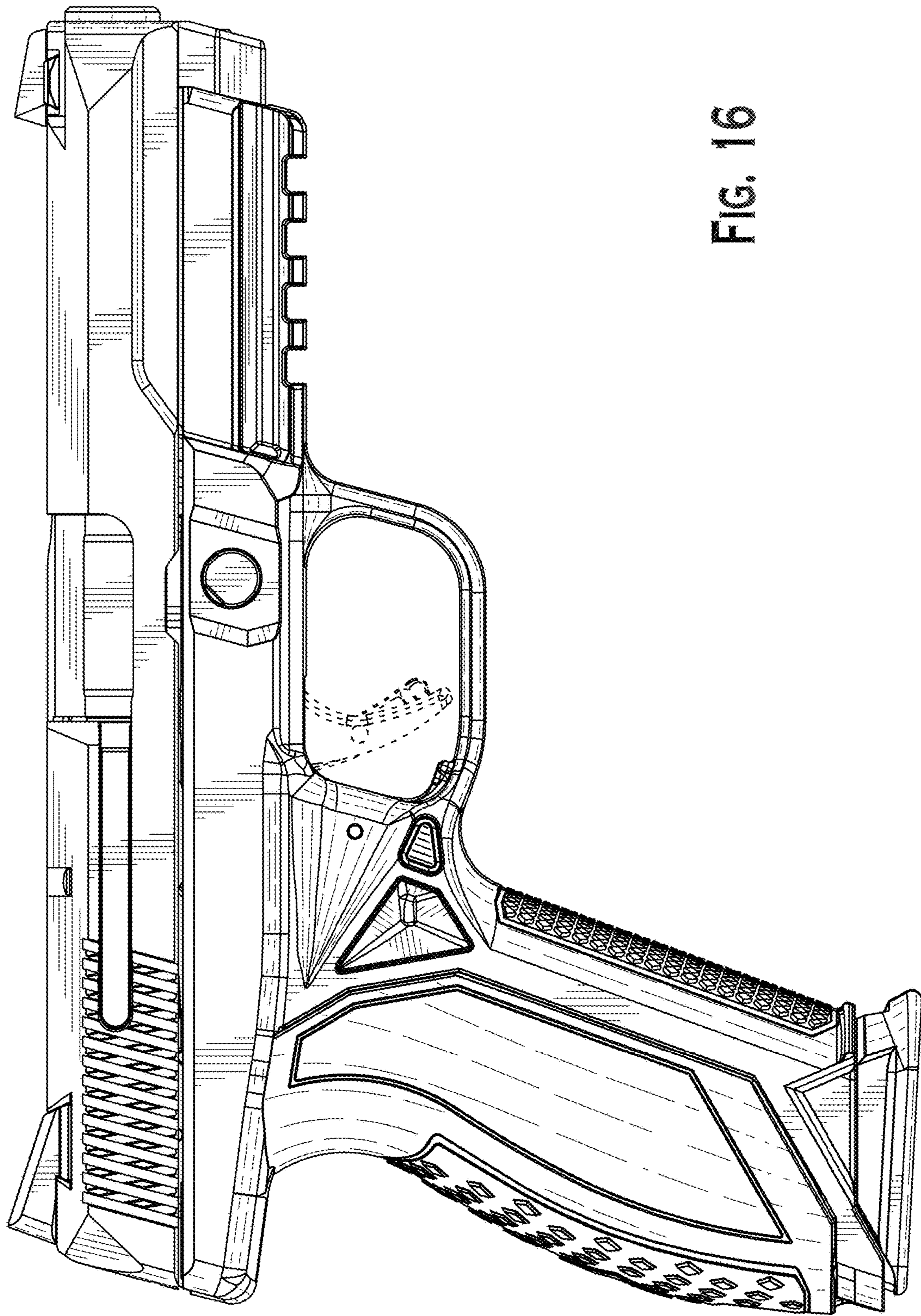


FIG. 16

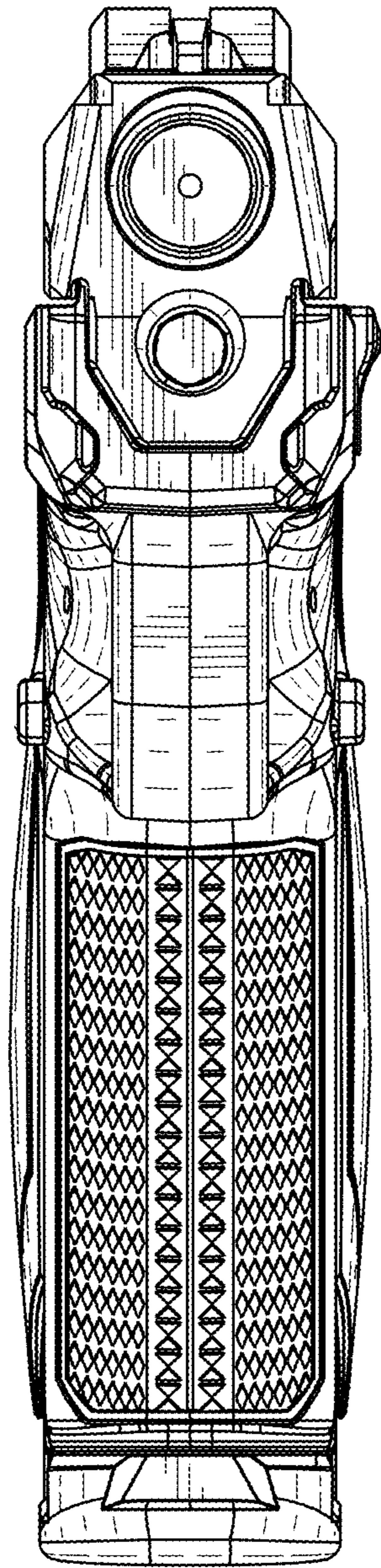


FIG. 17

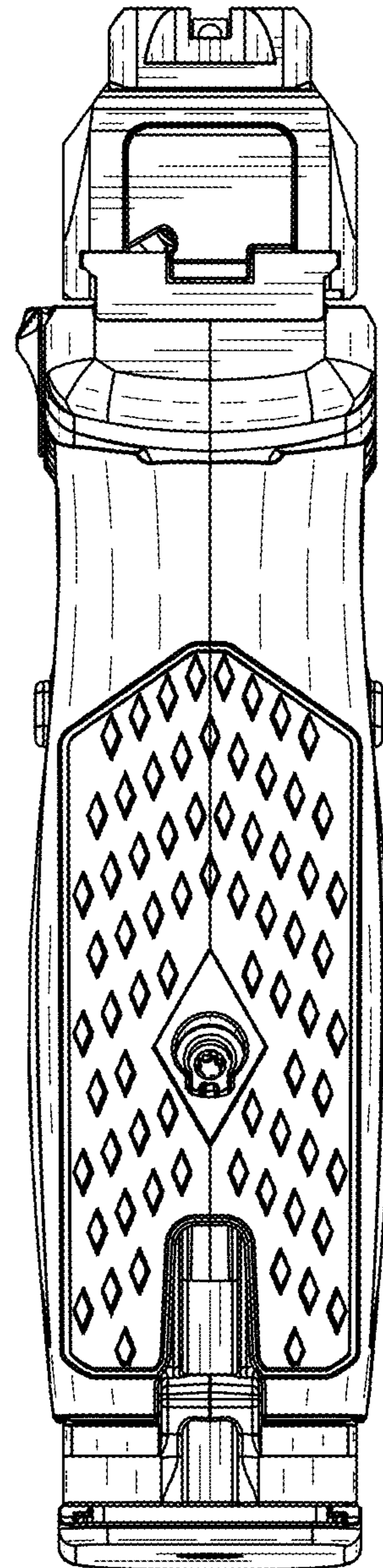


FIG. 18

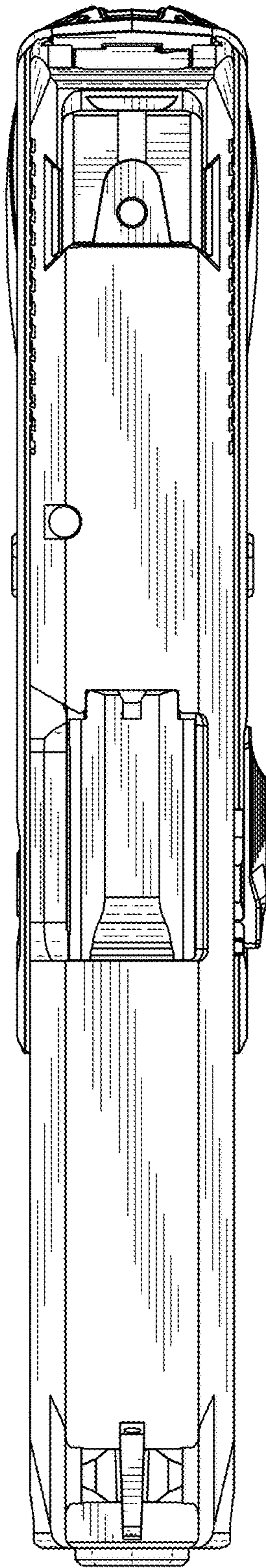


FIG. 19

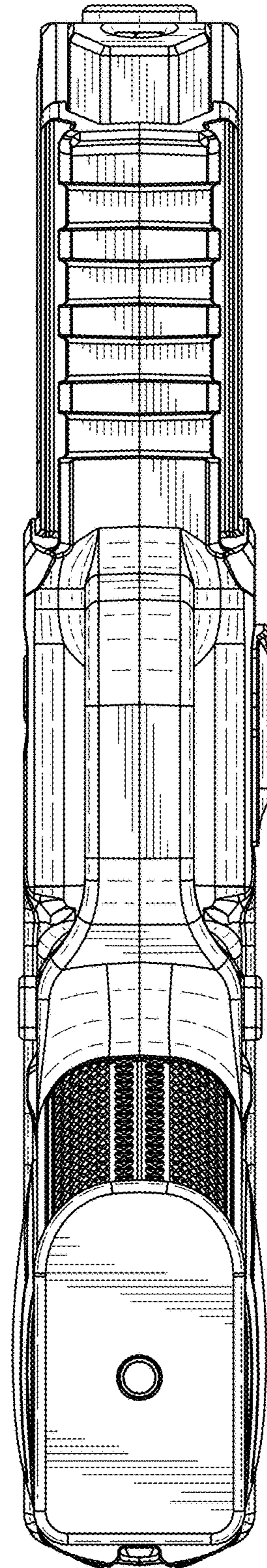


FIG. 20