



US00D791261S

(12) **United States Design Patent**
Drozdowski et al.

(10) **Patent No.:** **US D791,261 S**
(45) **Date of Patent:** **** Jul. 4, 2017**

(54) **SWIMMER STARTING PLATFORM**

- (71) Applicant: **Pentair Water Pool and Spa, Inc.**,
Sanford, NC (US)
- (72) Inventors: **Jim Drozdowski**, Clinton Corners, NY
(US); **Jonathan Mapes**, Highland
Mills, NY (US); **Chris Jung**, Brewster,
NY (US); **Jerry Amato**, LaGrangeville,
NY (US)
- (73) Assignee: **Pentair Water Pool and Spa, Inc.**,
Cary, NC (US)
- (**) Term: **15 Years**
- (21) Appl. No.: **29/542,688**
- (22) Filed: **Oct. 16, 2015**

Related U.S. Application Data

- (62) Division of application No. 29/478,808, filed on Jan.
8, 2014, now Pat. No. Des. 742,984.
- (51) **LOC (10) Cl.** **21-06**
- (52) **U.S. Cl.**
USPC **D21/802**
- (58) **Field of Classification Search**
USPC D21/801, 802, 769, 770; 434/254;
472/85; D6/484, 480, 481, 511
(Continued)

(56) **References Cited**

U.S. PATENT DOCUMENTS

- D202,546 S 10/1965 French
 - 3,401,931 A 9/1968 McCafferty et al.
- (Continued)

FOREIGN PATENT DOCUMENTS

WO 03092819 A2 11/2003

OTHER PUBLICATIONS

Swiss Timing Ltd. Brochure for OSB11 Swimming Starting Block,
2 pages.
(Continued)

Primary Examiner — Zenia Bennett
(74) *Attorney, Agent, or Firm* — Quarles & Brady LLP

(57) **CLAIM**

The ornamental design for a swimmer starting platform, as
shown and described.

DESCRIPTION

FIG. 1 is an isometric view of a front, top, and left side of
an ornamental design for swimmer starting platform;
FIG. 2 is a front elevational view of the swimmer starting
platform of FIG. 1;
FIG. 3 is a left side elevational view of the swimmer starting
platform of FIG. 1;
FIG. 4 is a rear elevational view of the swimmer starting
platform of FIG. 1;
FIG. 5 is a right side elevational view of the swimmer
starting platform of FIG. 1;
FIG. 6 is a top plan view of the swimmer starting platform
of FIG. 1;
FIG. 7 is a bottom plan view of the swimmer starting
platform of FIG. 1;
FIG. 8 is an isometric view of a rear, bottom, and left side
of the swimmer starting platform of FIG. 1;
FIG. 9 is an isometric view of a front, top, and left side of
another embodiment of an ornamental design for a swimmer
starting platform;
FIG. 10 is a front elevational view of the swimmer starting
platform of FIG. 9;
FIG. 11 is a left side elevational view of the swimmer
starting platform of FIG. 9;
FIG. 12 is a rear elevational view of the swimmer starting
platform of FIG. 9;
FIG. 13 is a right side elevational view of the swimmer
starting platform of FIG. 9;
FIG. 14 is a top plan view of the swimmer starting platform
of FIG. 9;

(Continued)

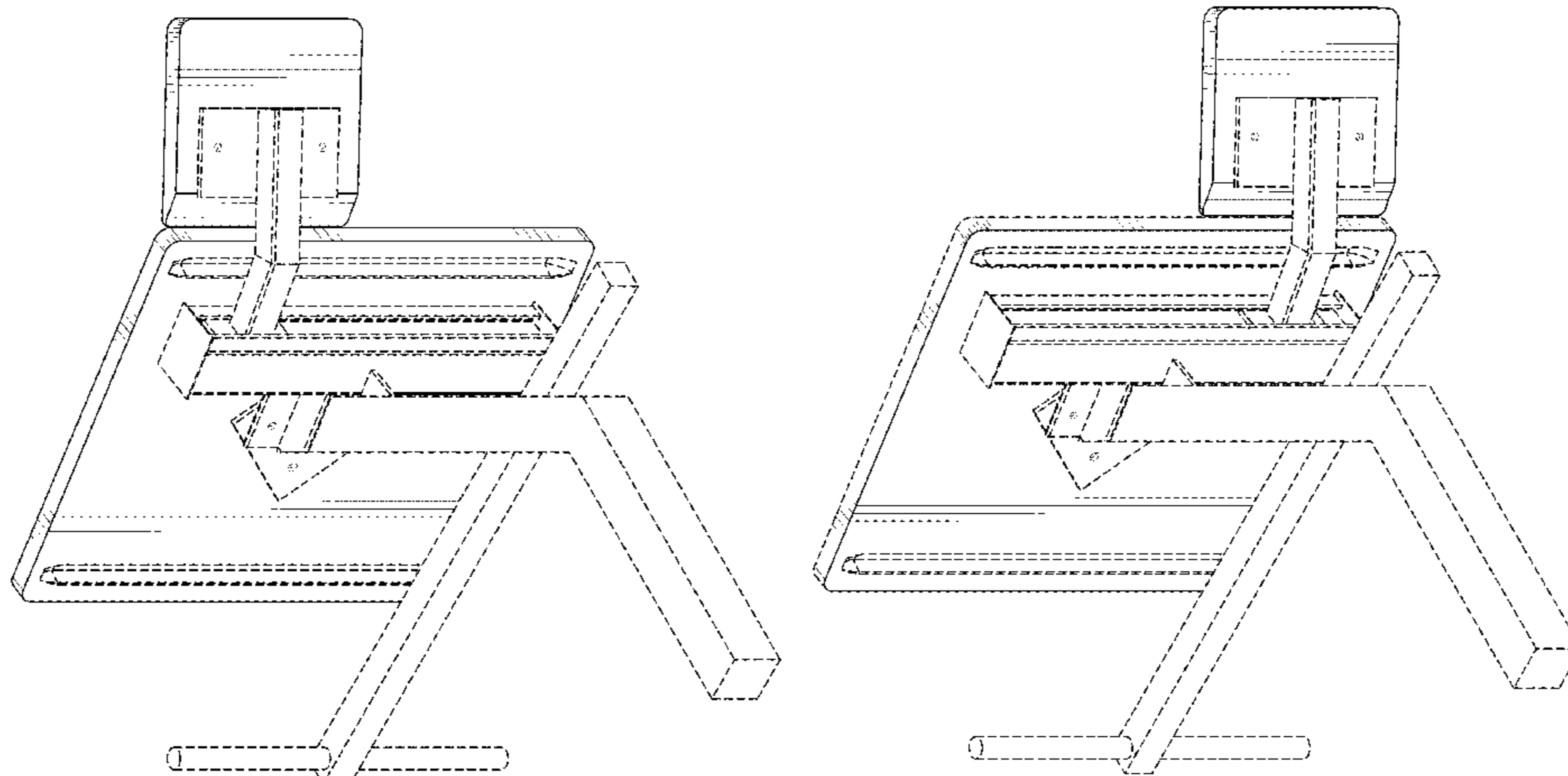


FIG. 15 is a bottom plan view of the swimmer starting platform of FIG. 9; and,
 FIG. 16 is an isometric view of a rear, bottom, and left side of the swimmer starting platform of FIG. 9.
 The broken lines are included for the purpose of illustrating environmental structure and form no part of the claimed design.

1 Claim, 16 Drawing Sheets

(58) **Field of Classification Search**
 CPC A63B 5/10
 See application file for complete search history.

(56) **References Cited**

U.S. PATENT DOCUMENTS

3,799,542 A	3/1974	Potgieter	
3,809,392 A	5/1974	Kral, Jr.	
3,916,214 A	10/1975	Coble, Jr. et al.	
D240,811 S *	8/1976	Beall, Jr.	D21/802

4,475,016 A *	10/1984	Berger	H01H 3/141 200/52 R
4,754,965 A	7/1988	Moye	
4,780,085 A	10/1988	Malone	
4,913,420 A	4/1990	Moye	
5,033,738 A	7/1991	Newton, Jr.	
5,465,964 A	11/1995	Thompson	
5,916,031 A	6/1999	Casillan	
6,247,935 B1	6/2001	Martin et al.	
D464,701 S	10/2002	Kiefer et al.	
6,494,812 B1	12/2002	Grimes, Jr.	
6,523,188 B1	2/2003	Kiefer et al.	
D471,945 S	3/2003	Ryerson et al.	
6,532,606 B1	3/2003	Skovronski	
D509,277 S	9/2005	Morral Gispert	
7,058,994 B2 *	6/2006	Weimer	A63B 5/10 4/496
2005/0227813 A1	10/2005	Curry	

OTHER PUBLICATIONS

Spectrum Products Engineering Data for Startline Model—Omega SP, 1 page.
 Spectrum Products Engineering Data for Startline Model—Fusion by Spectrum, 1 page.

* cited by examiner

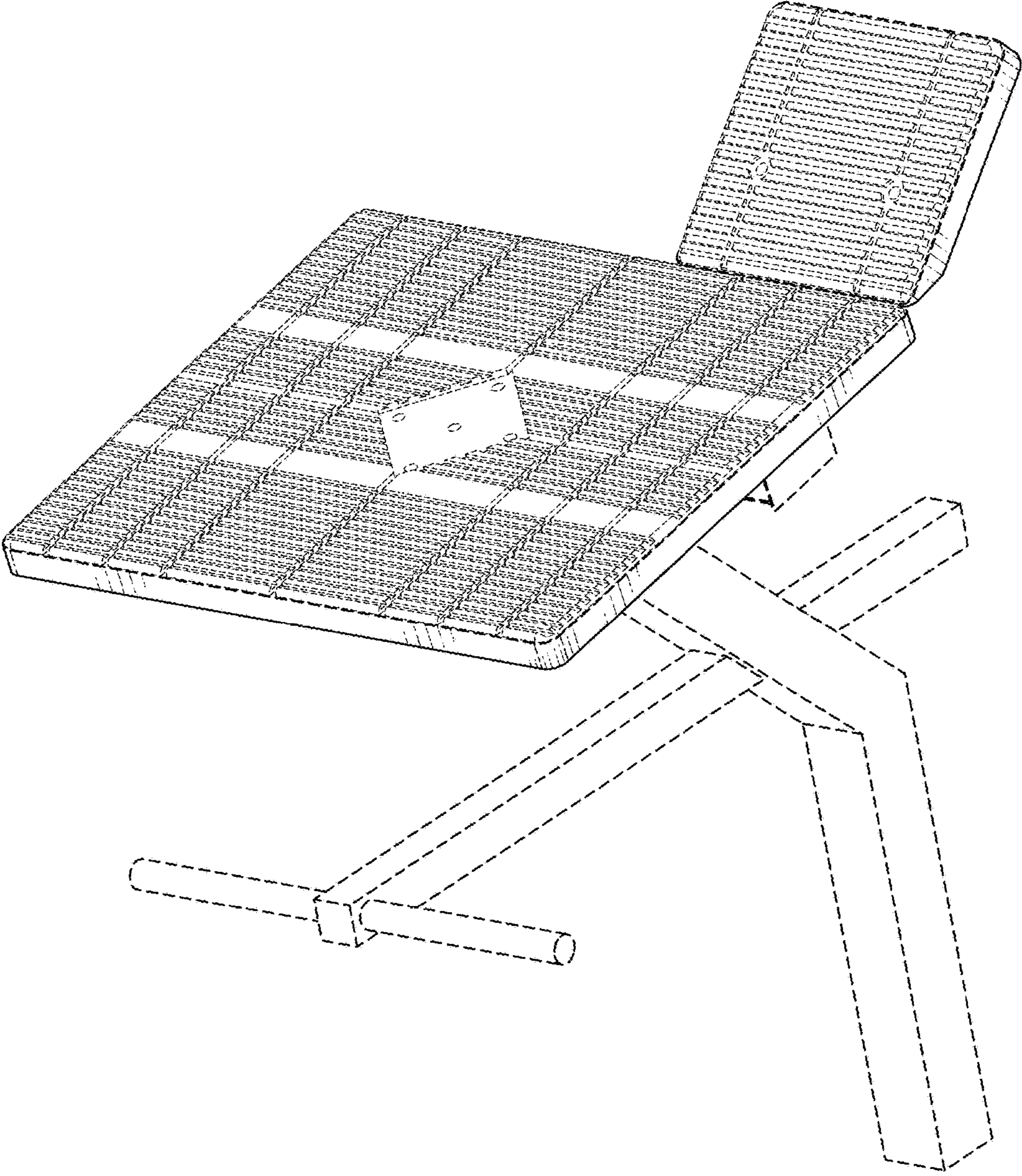


FIG. 1

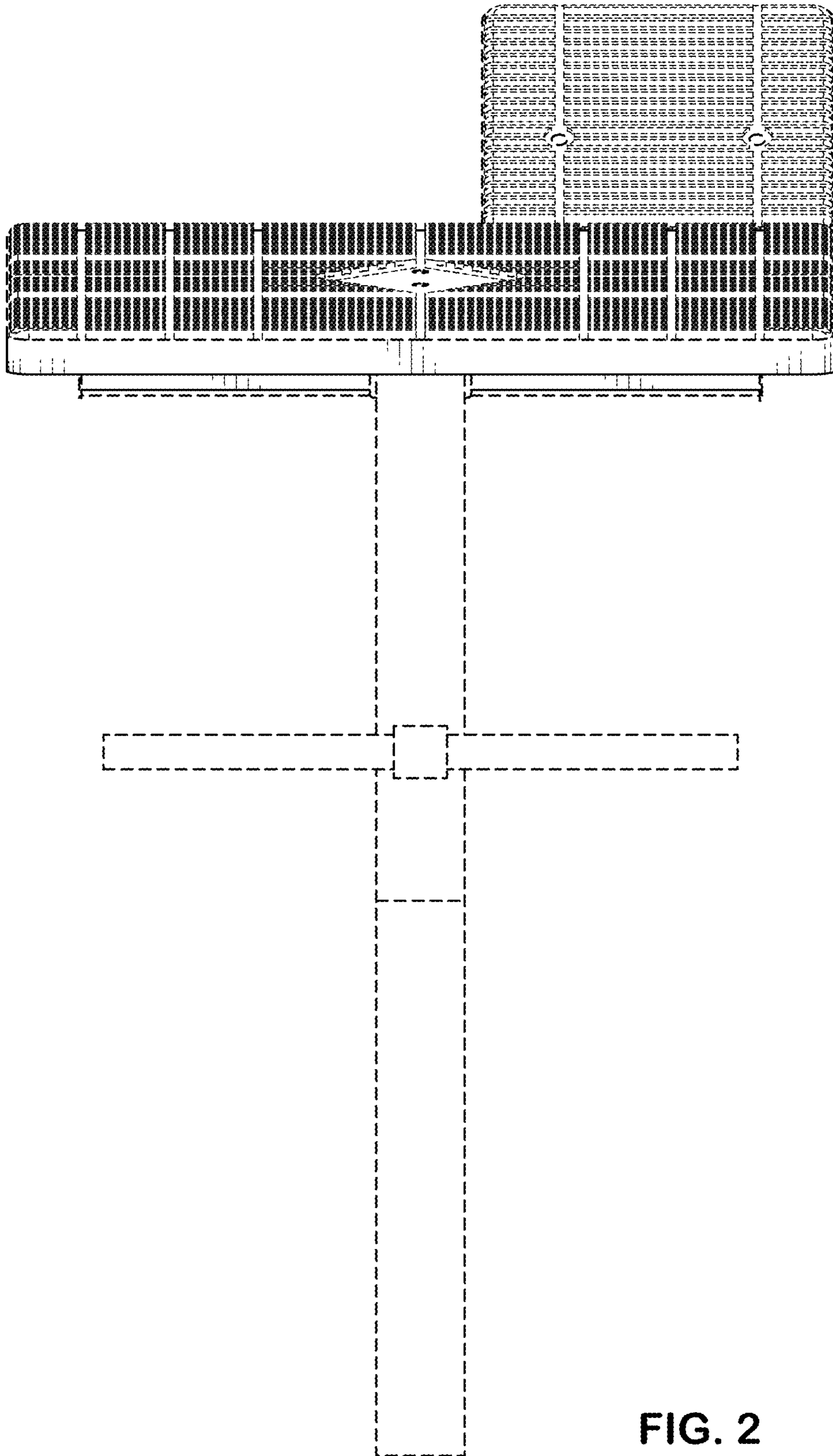


FIG. 2

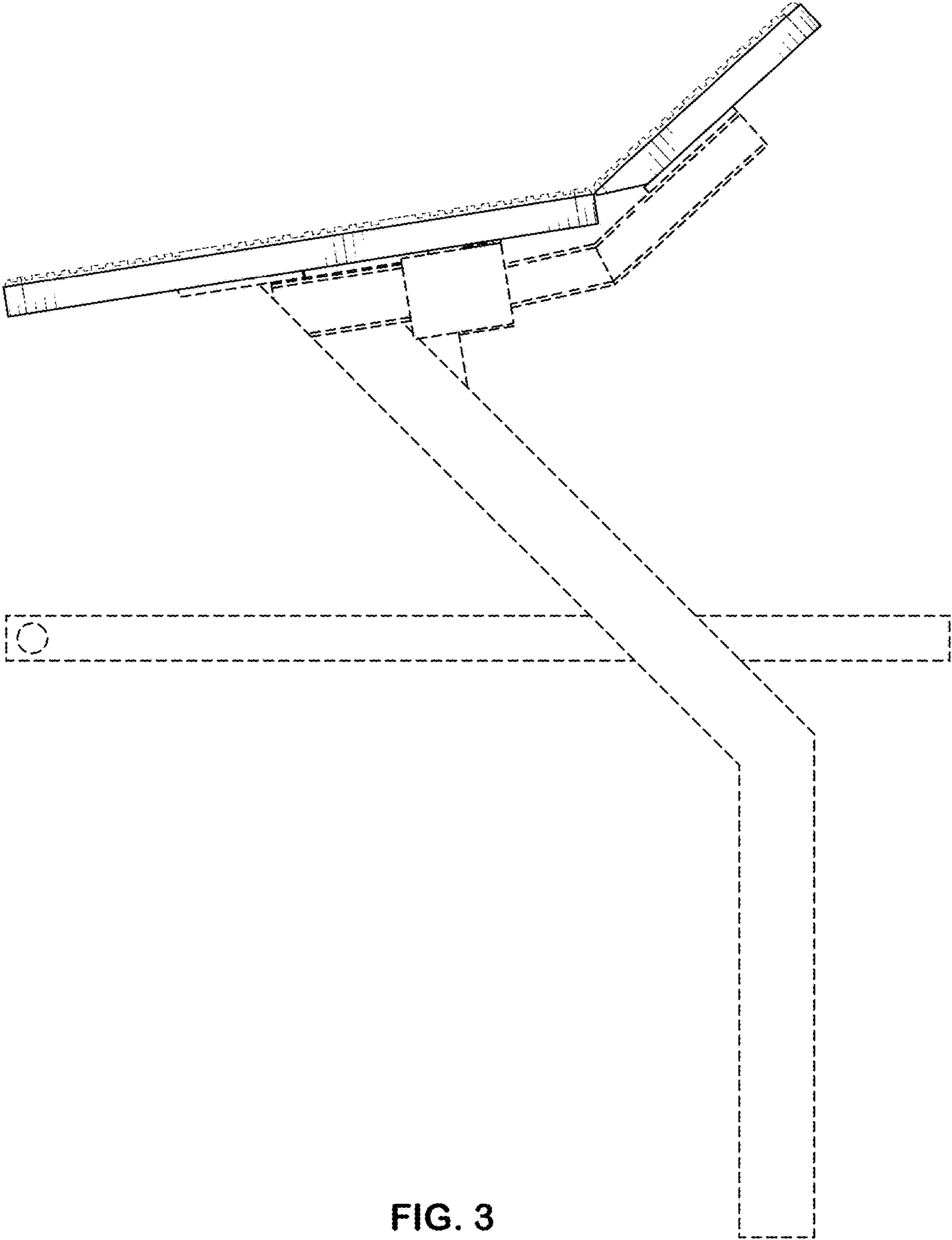


FIG. 3

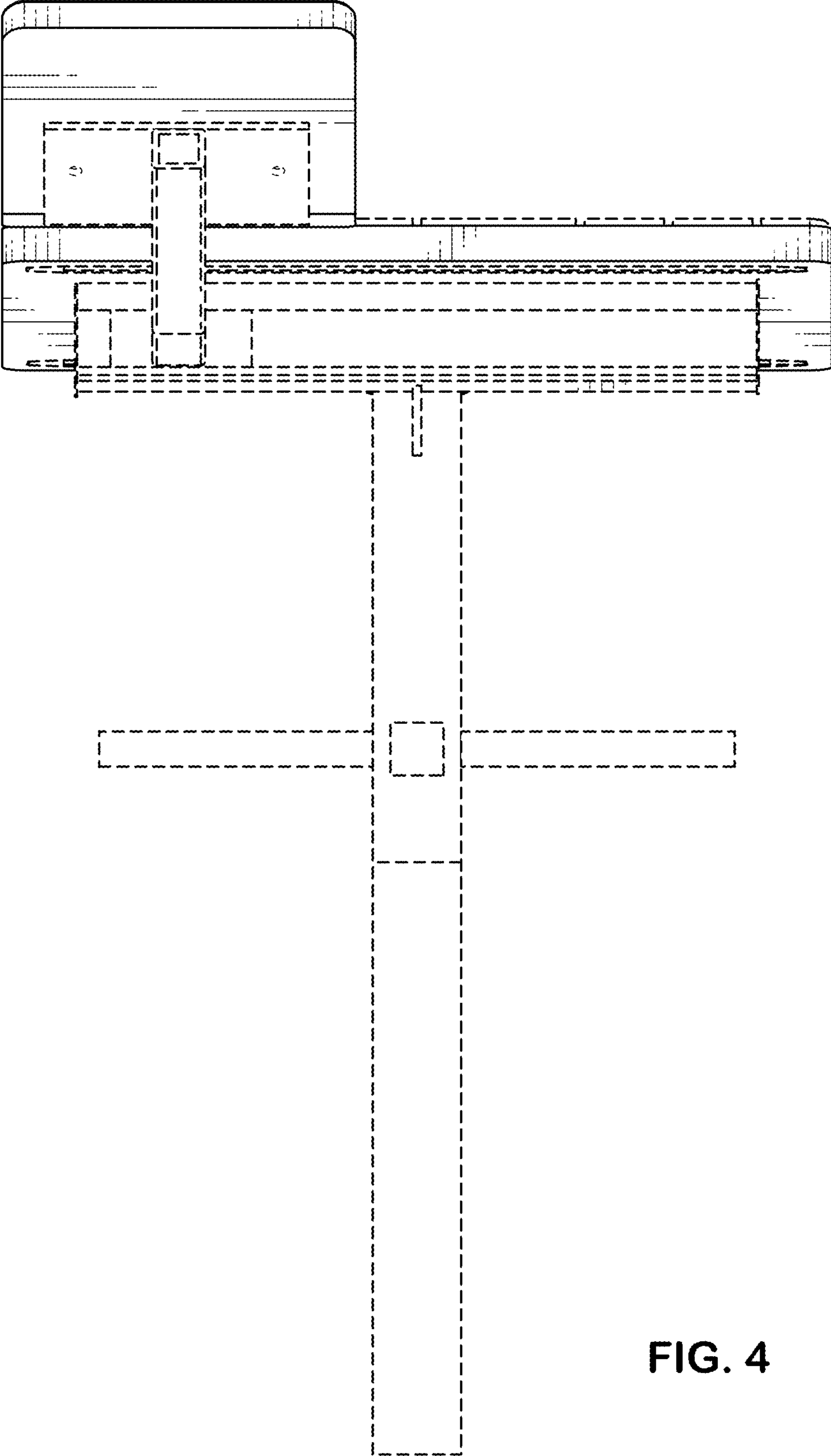


FIG. 4

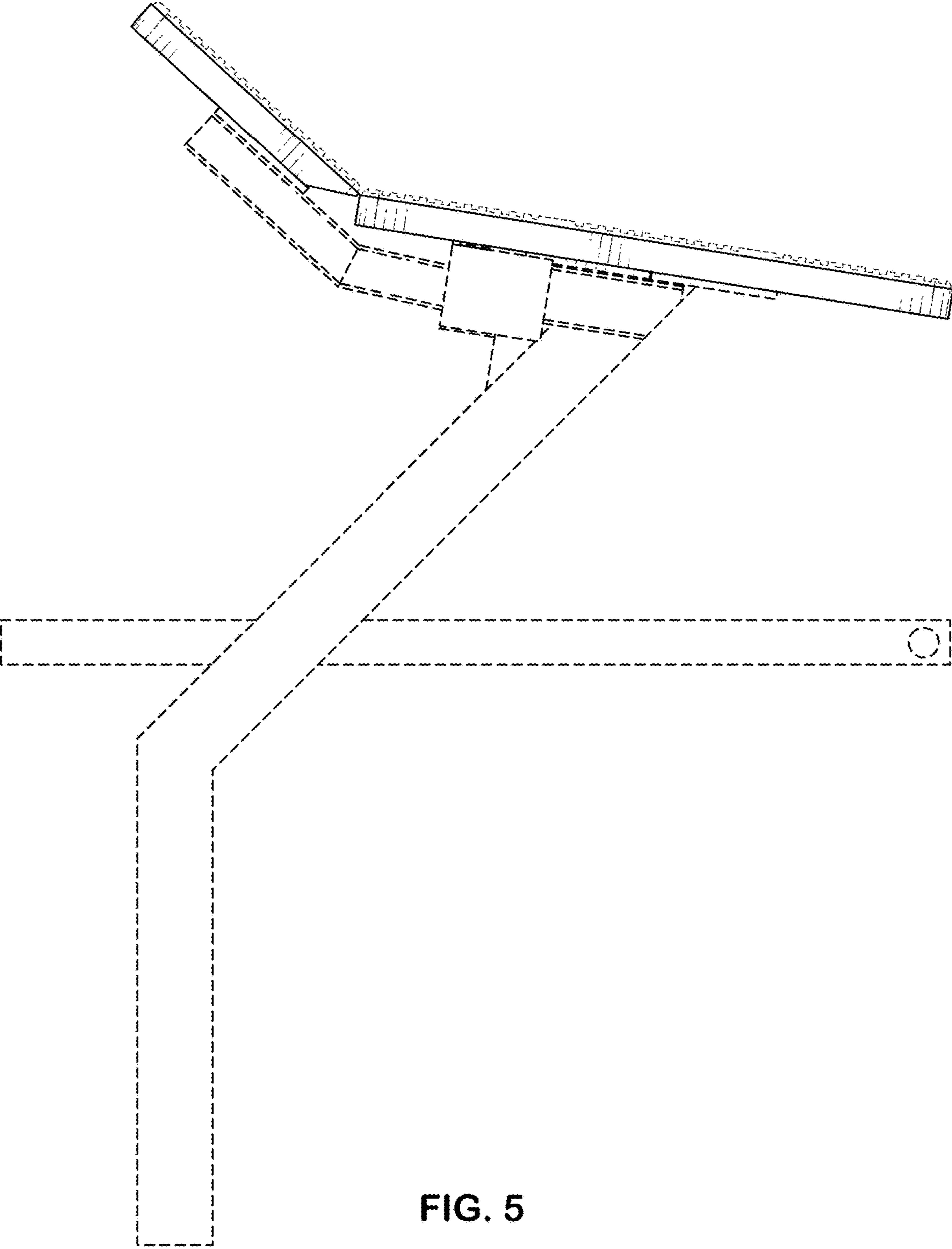


FIG. 5

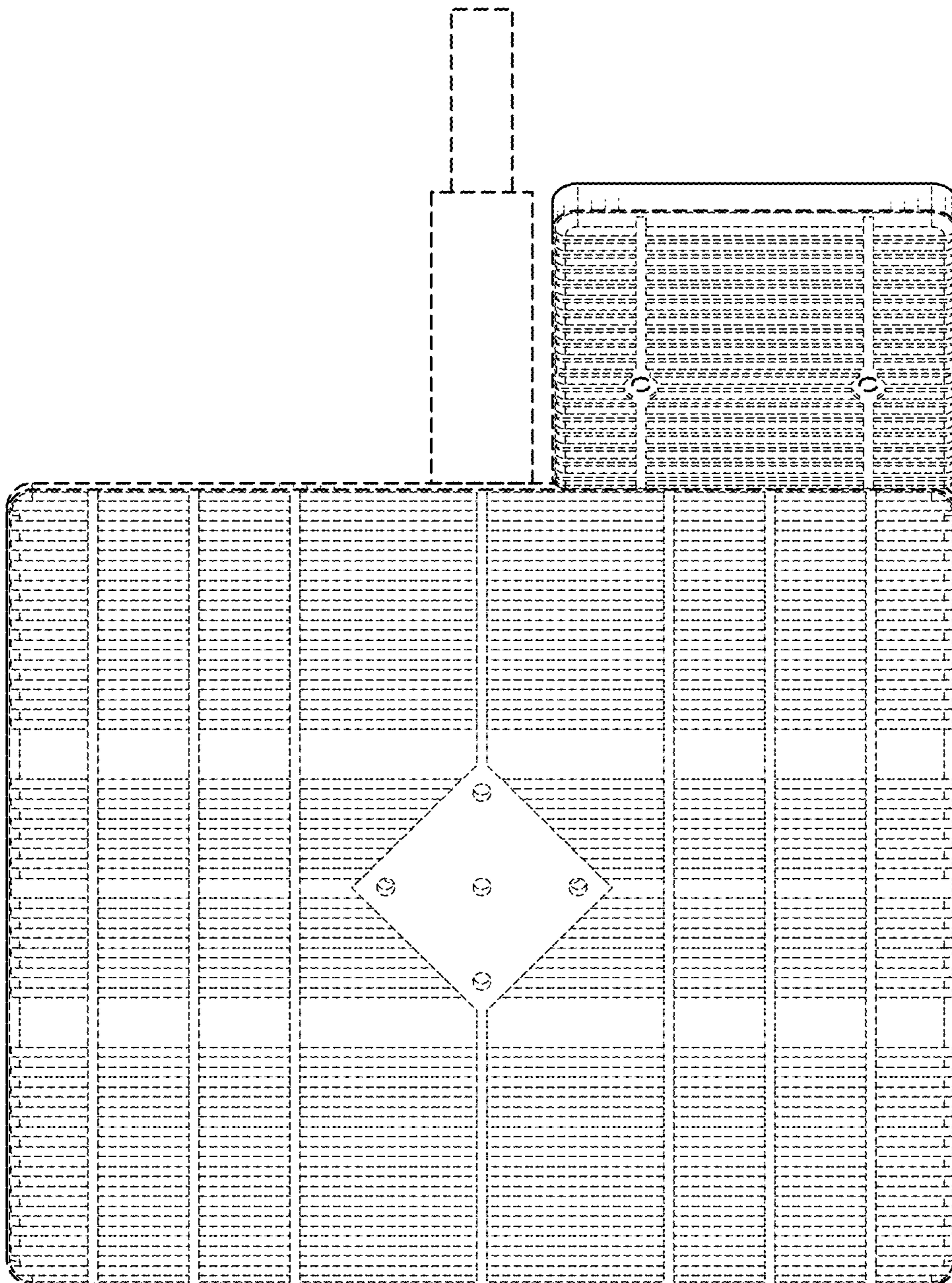


FIG. 6

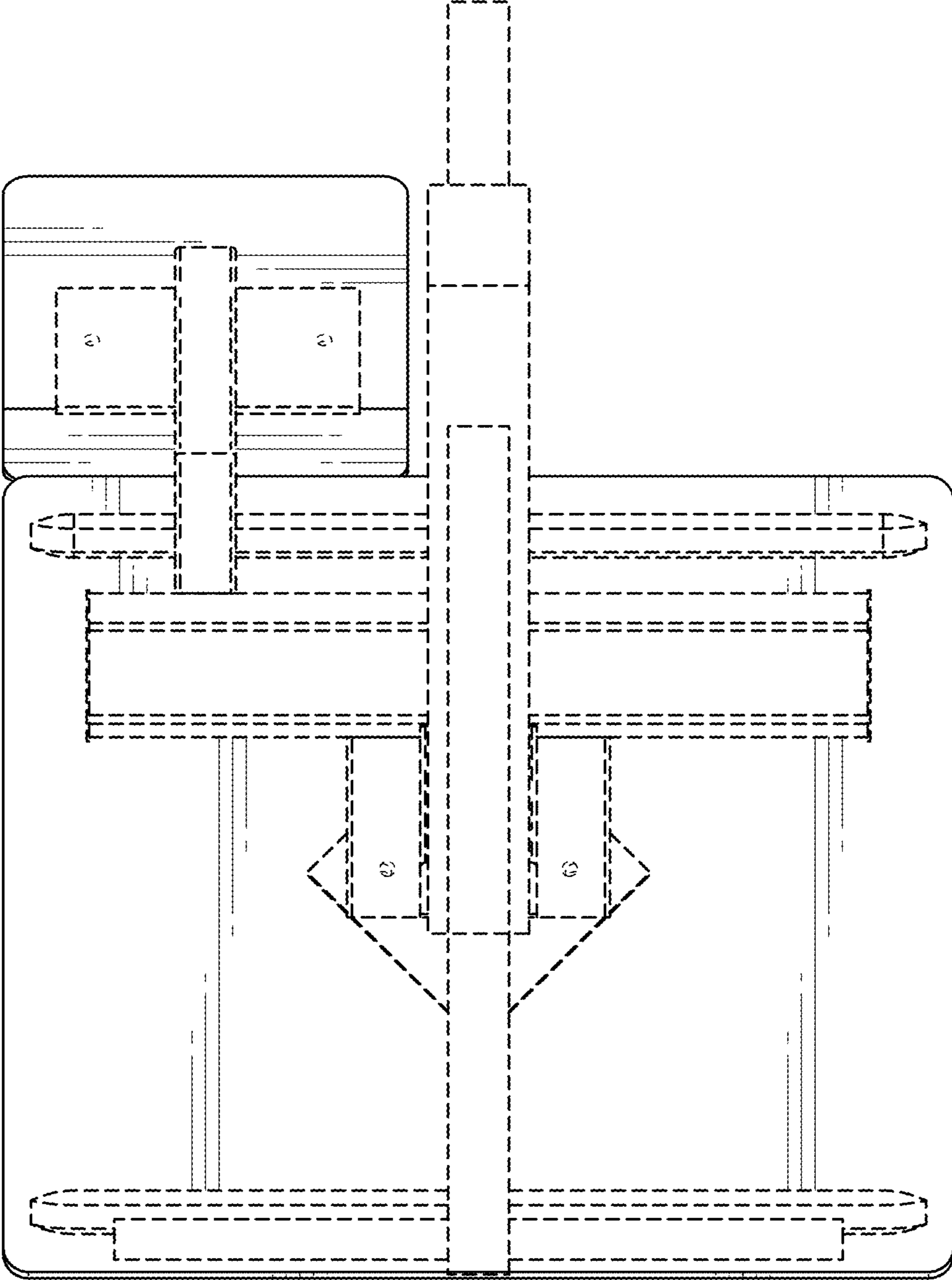


FIG. 7

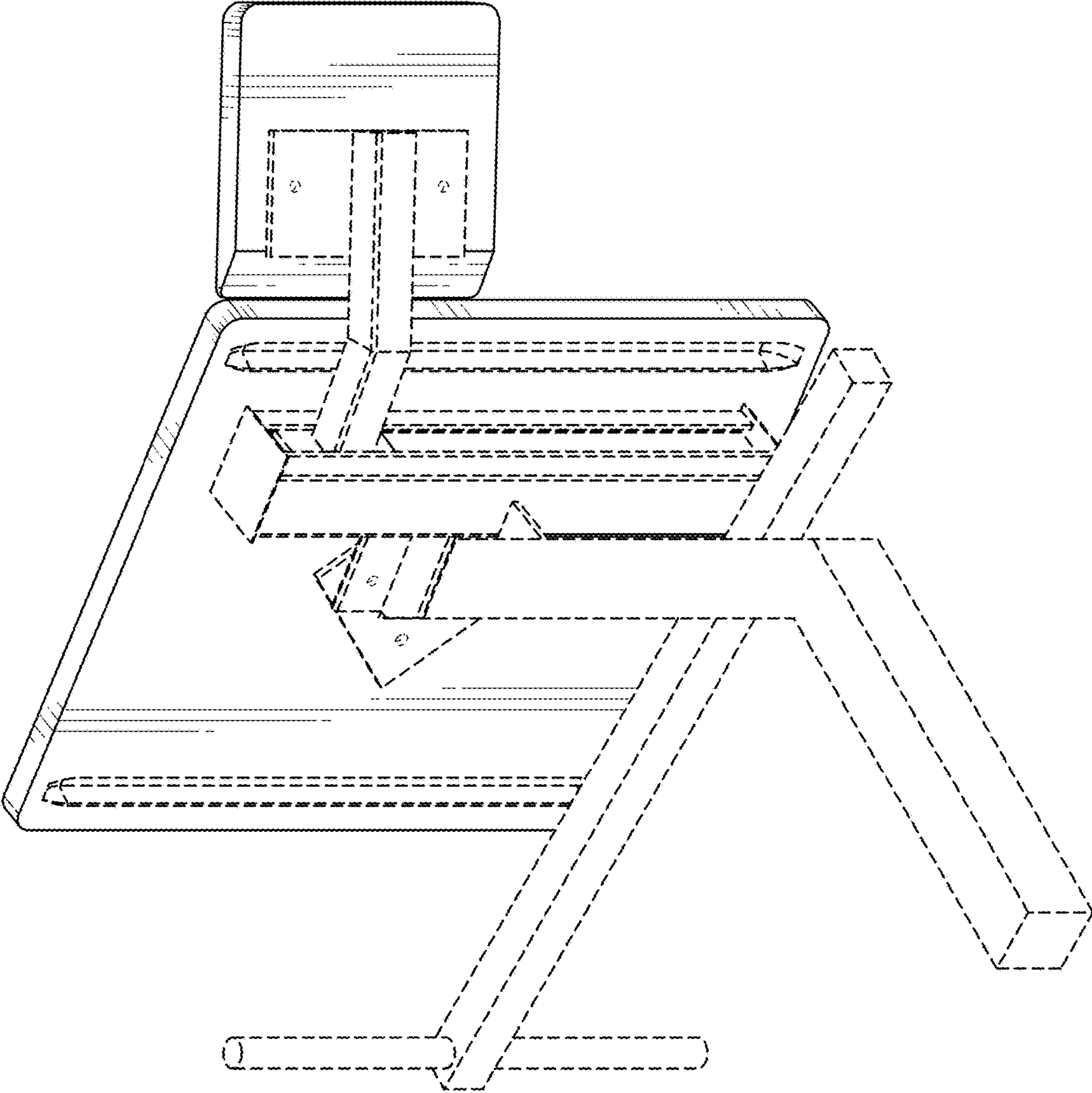


FIG. 8

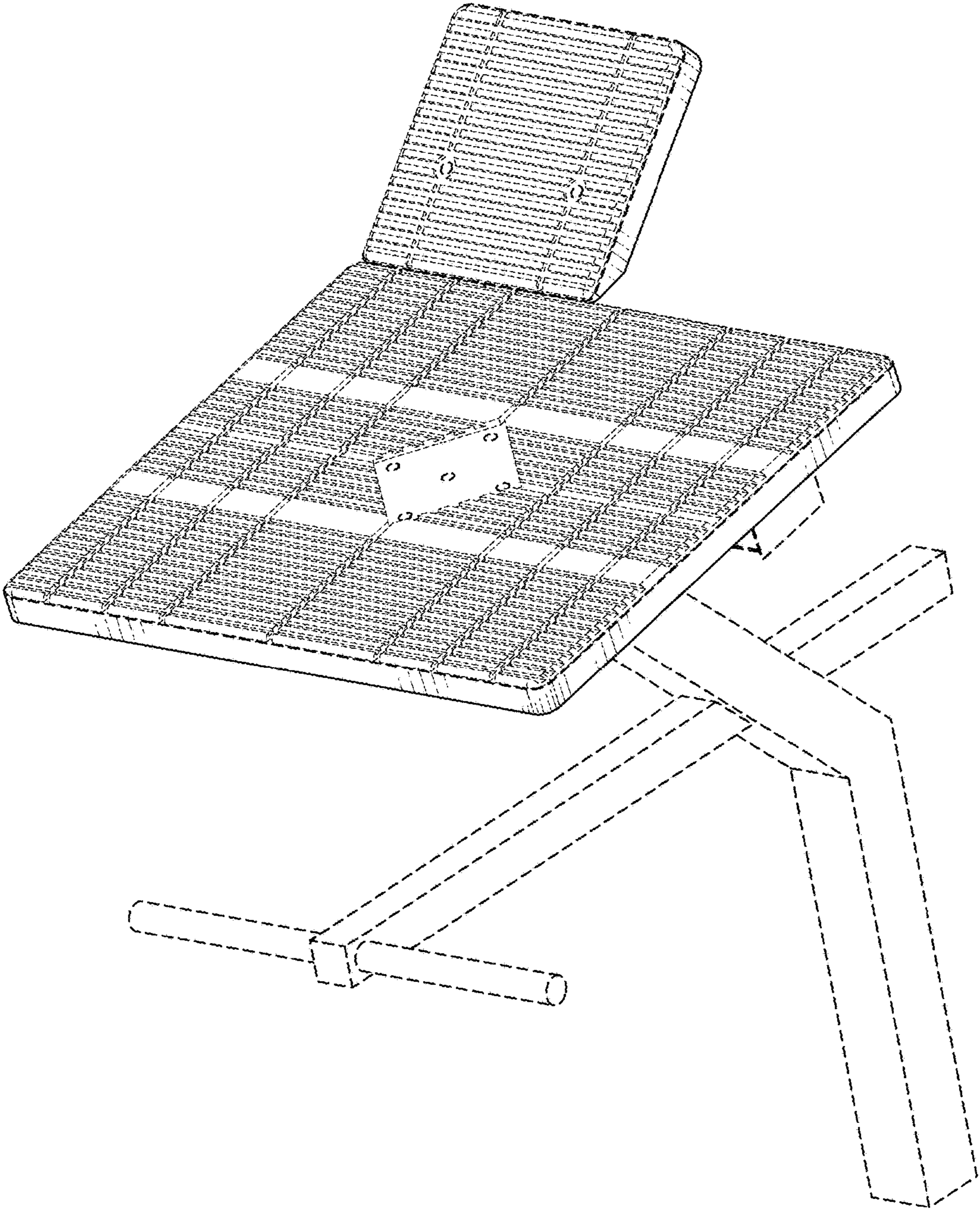


FIG. 9

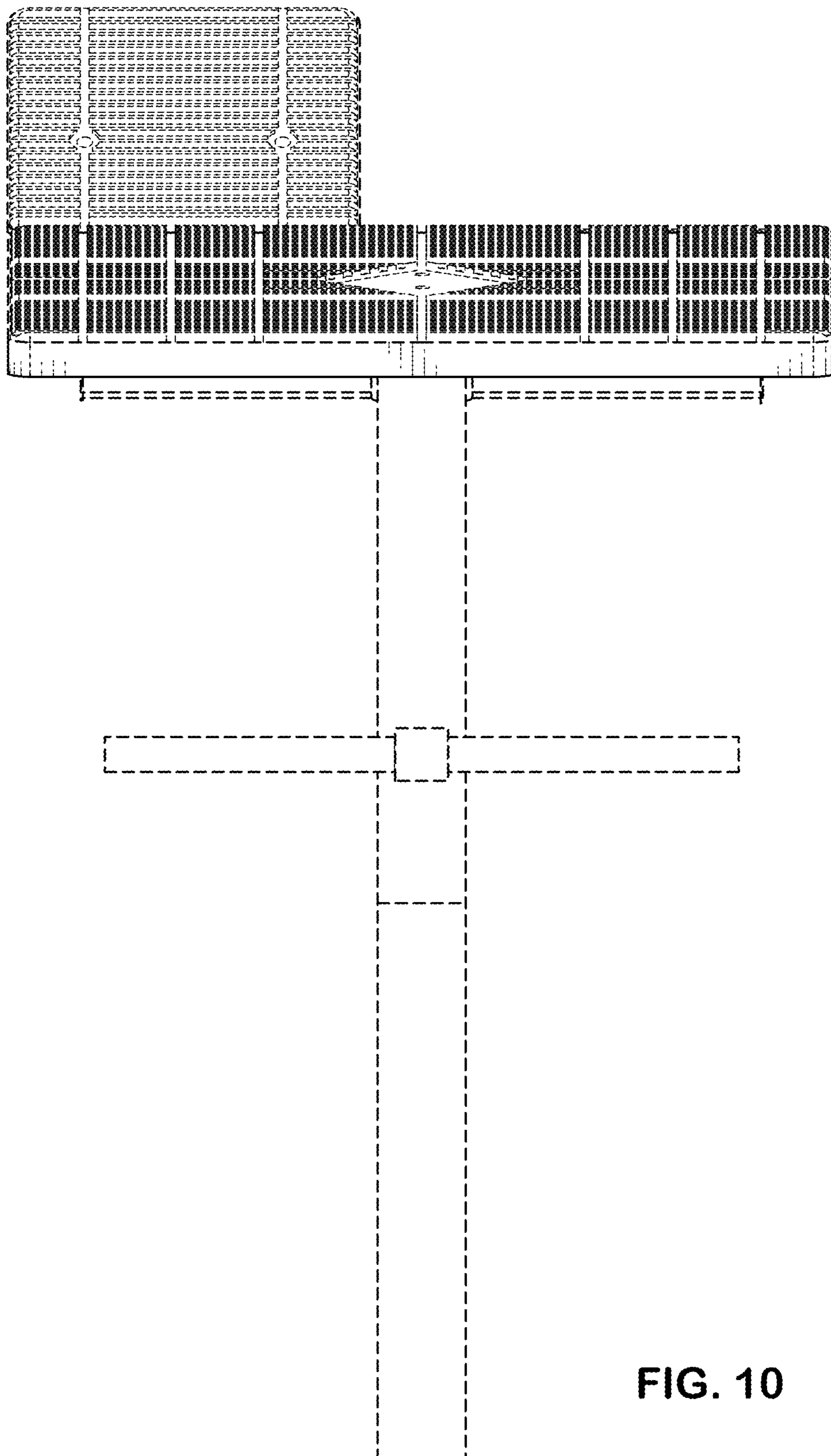


FIG. 10

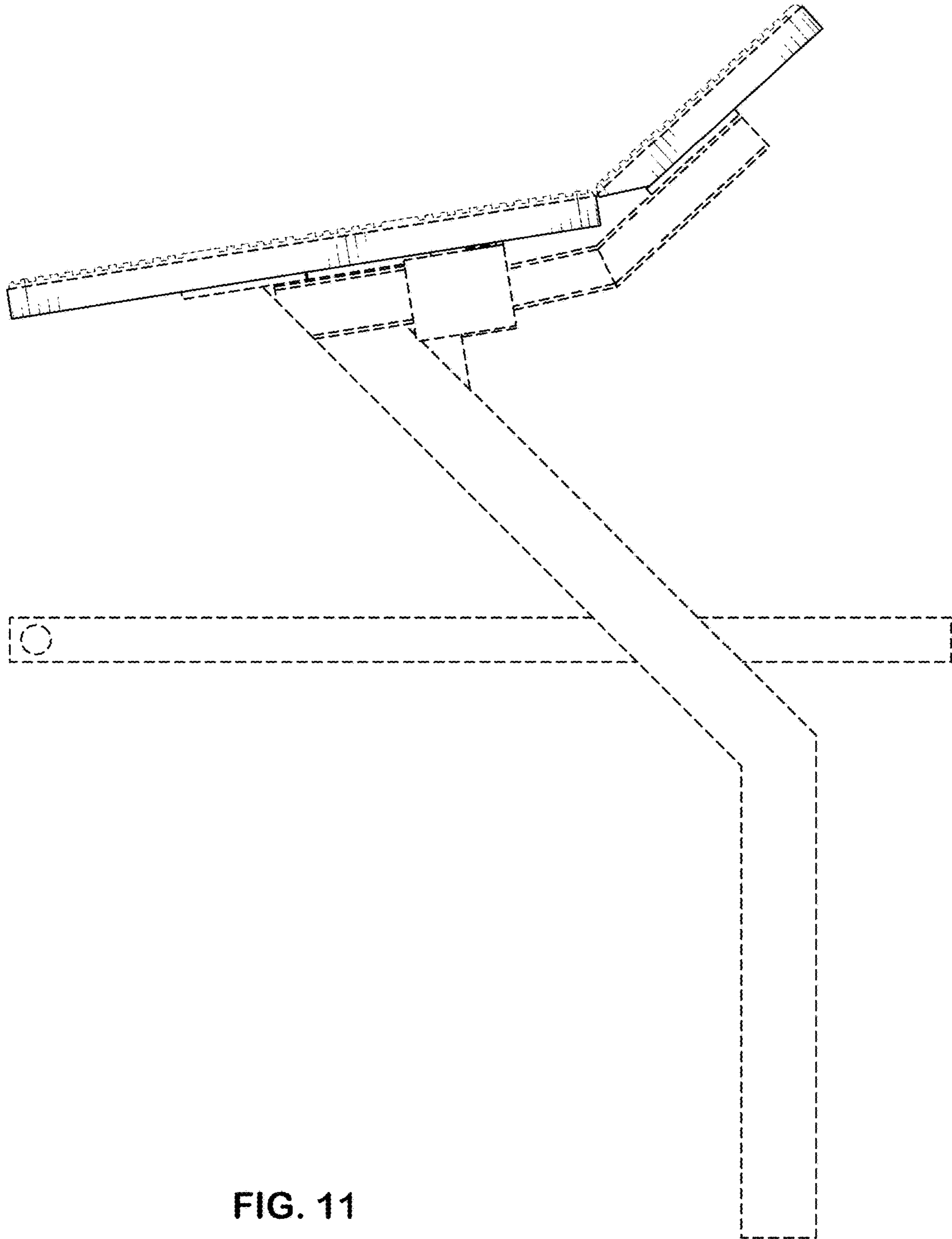


FIG. 11

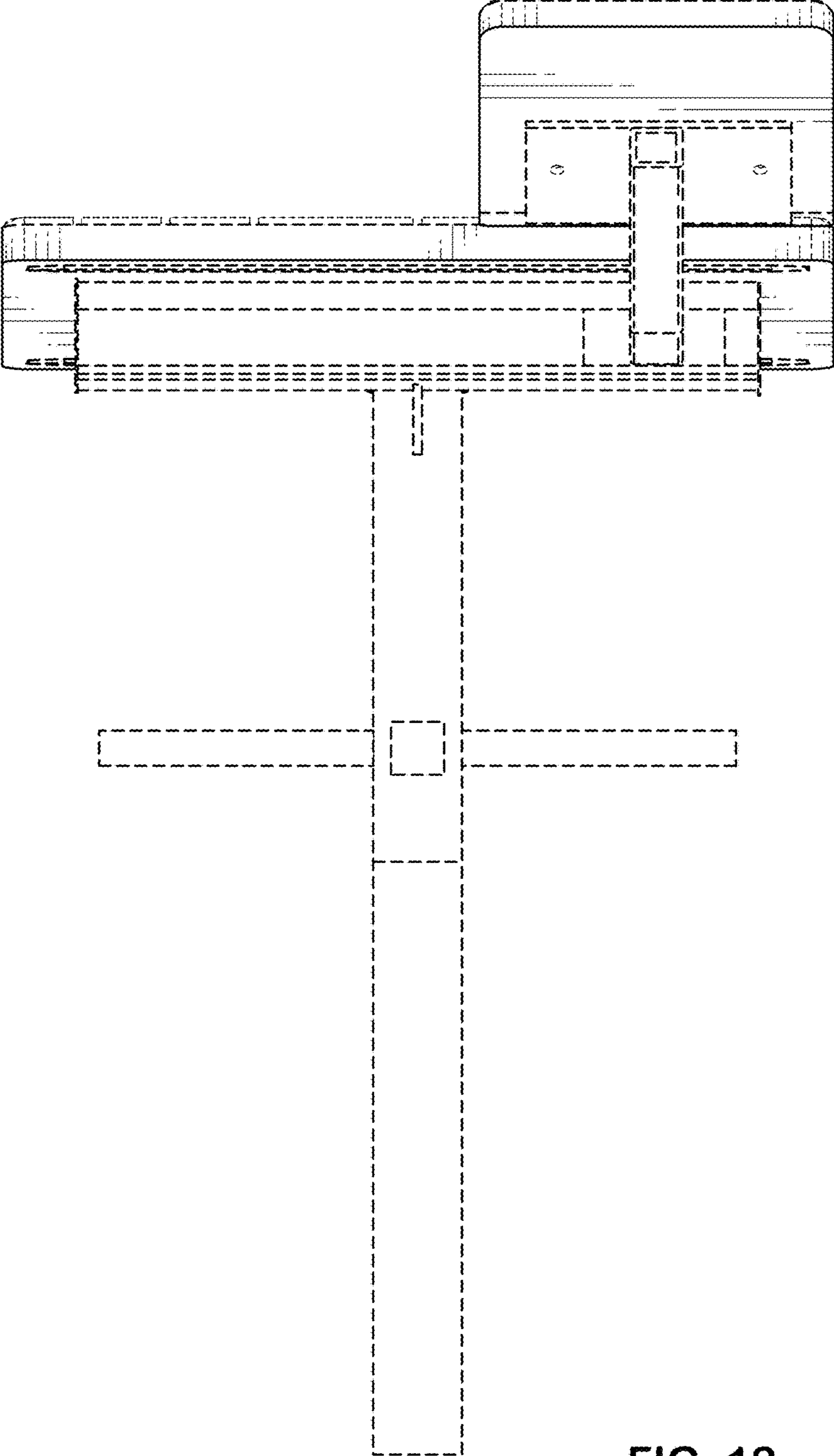


FIG. 12

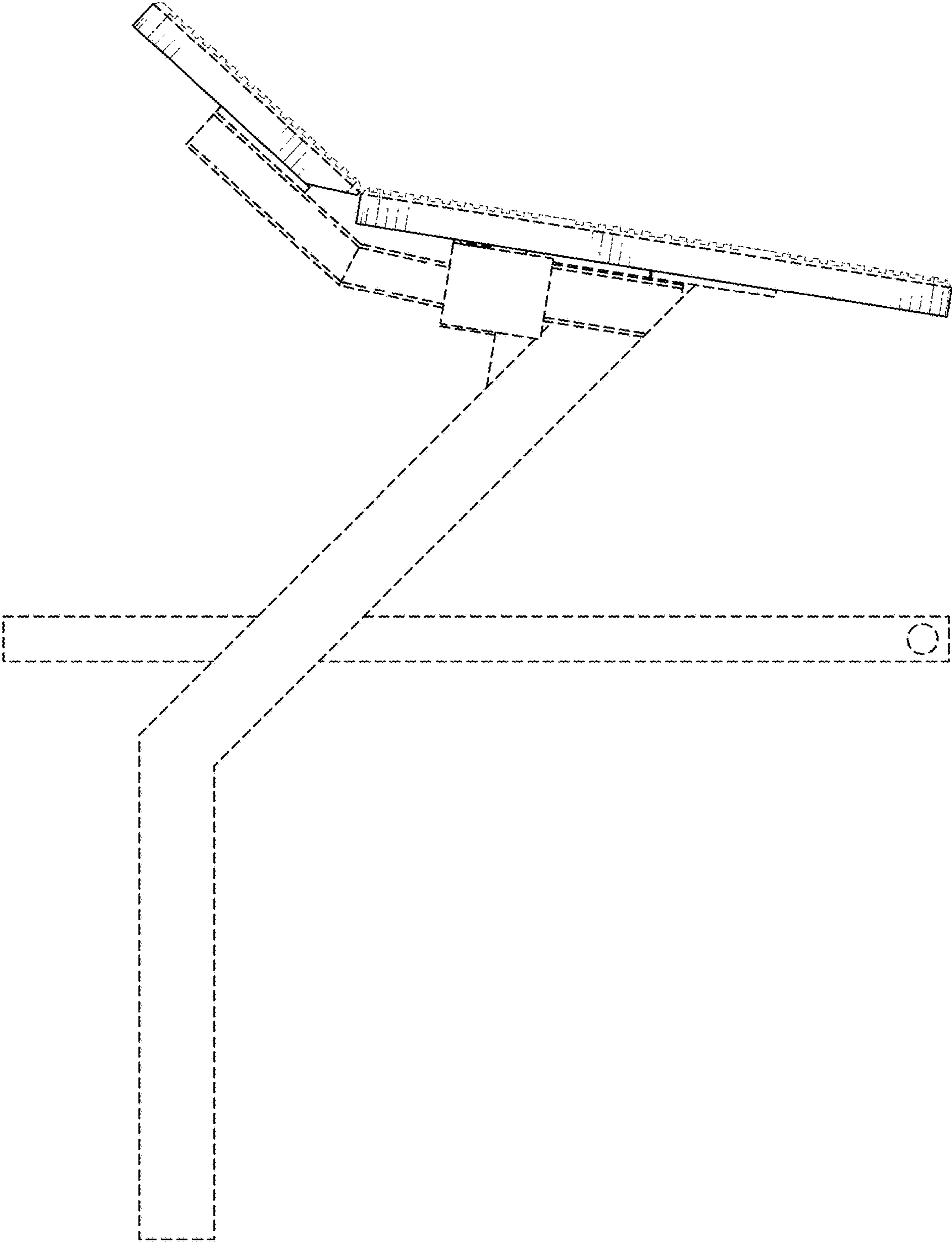


FIG. 13

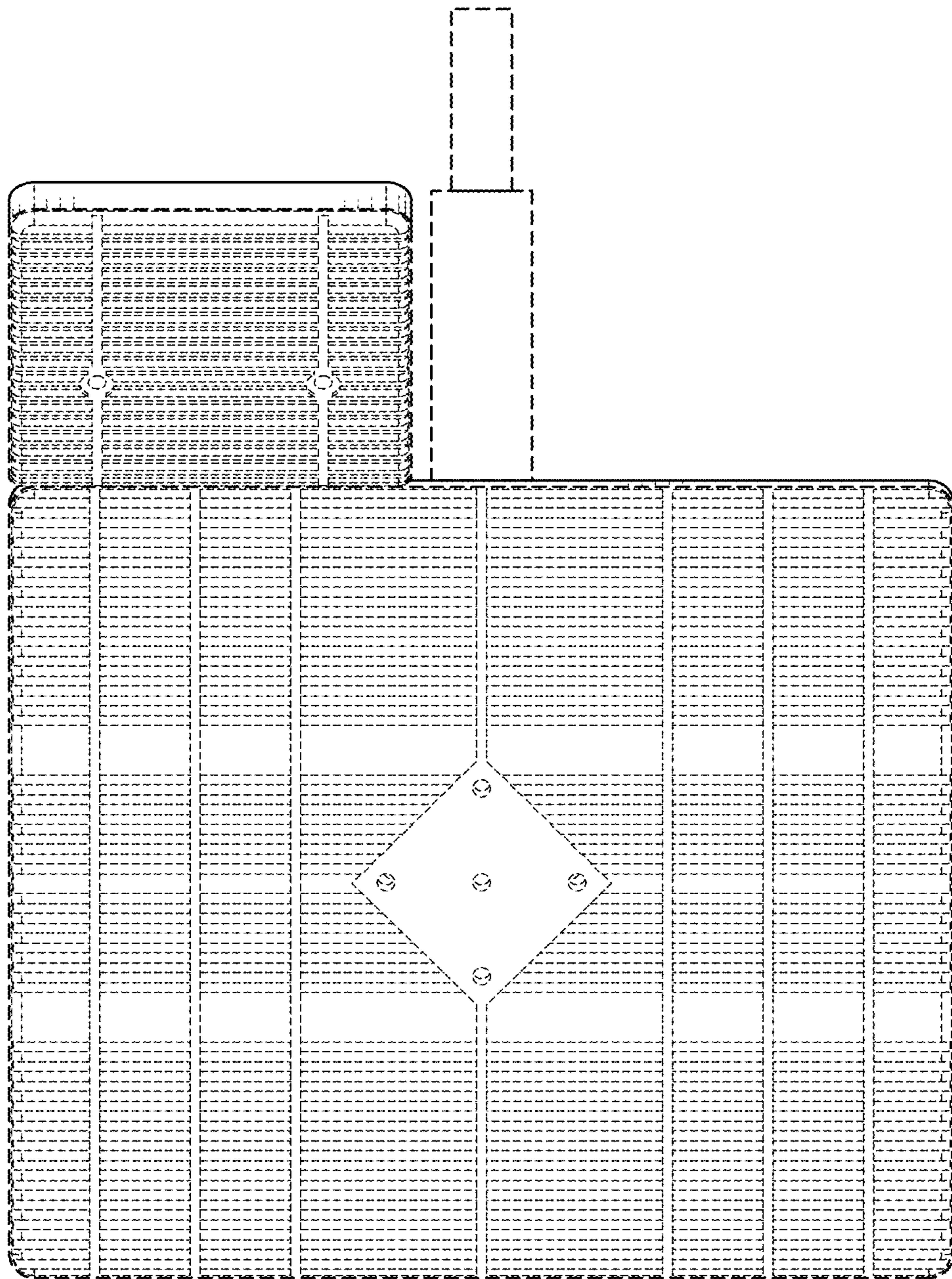


FIG. 14

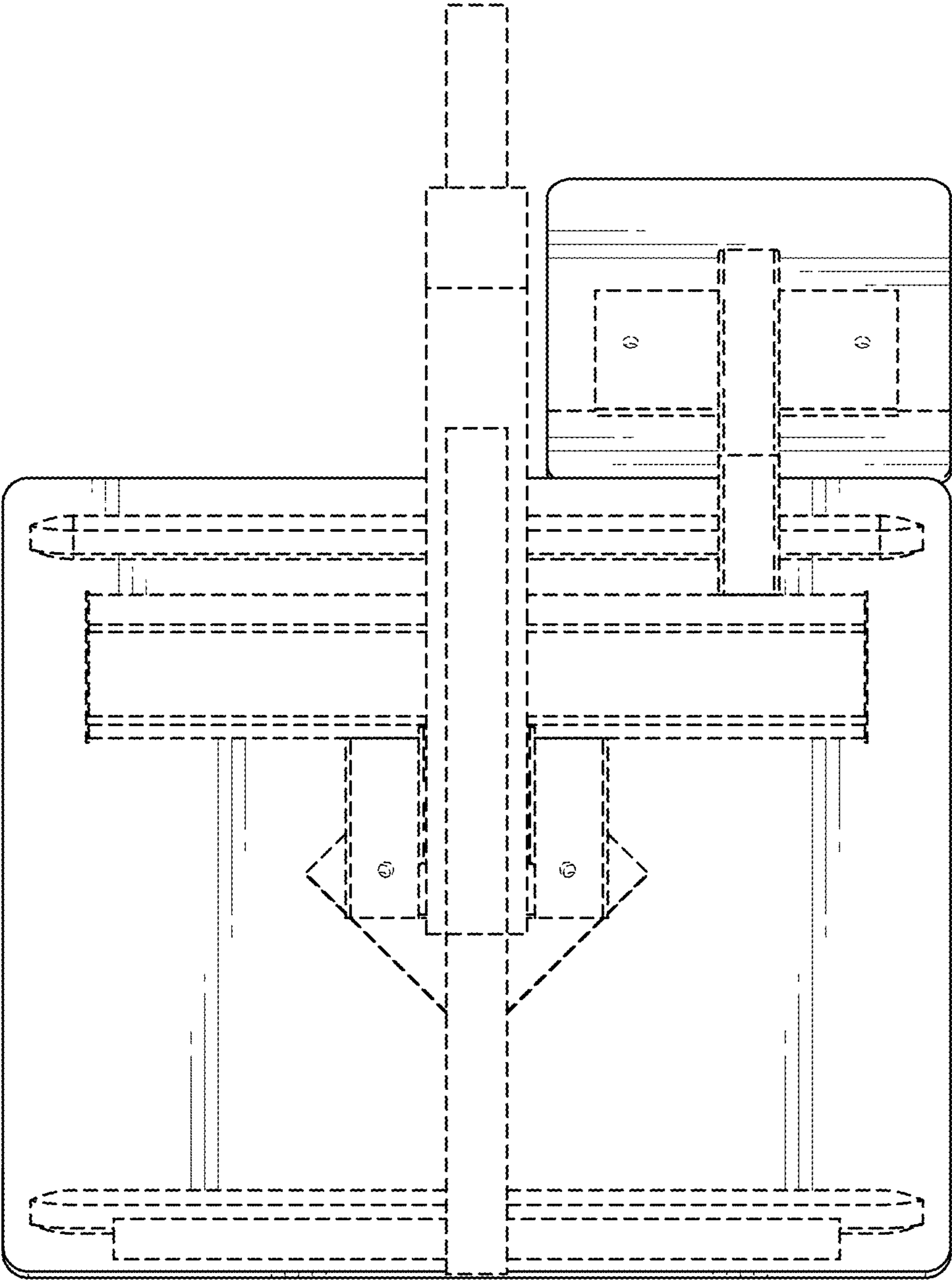


FIG. 15

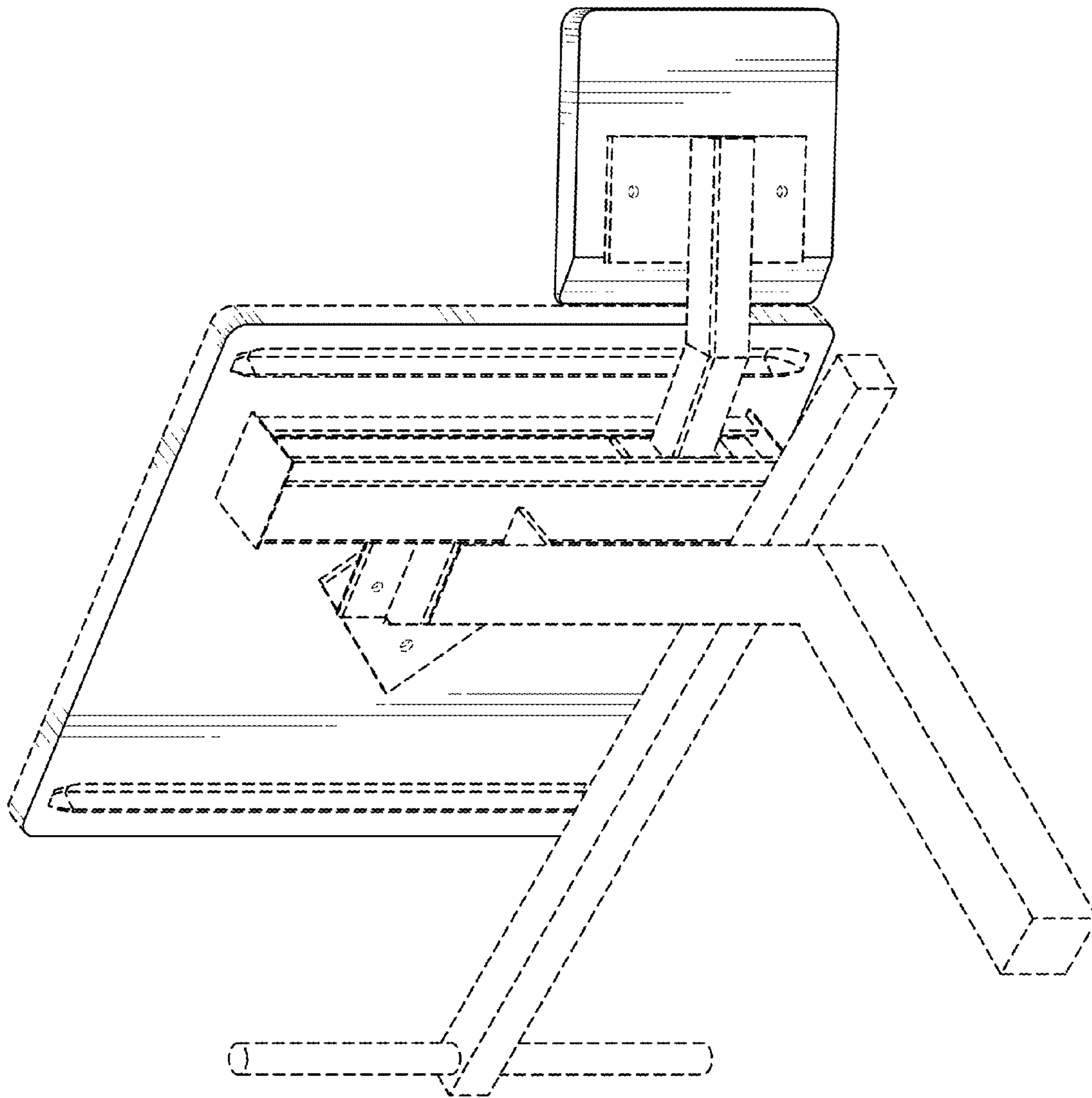


FIG. 16