



US00D791260S

(12) **United States Design Patent**
Ho et al.

(10) **Patent No.:** **US D791,260 S**
(45) **Date of Patent:** **** Jul. 4, 2017**

- (54) **TRAMPOLINE**
- (71) Applicants: **Wei-Teh Ho**, Taipei (TW); **Willy Wei Yu Ho**, Taipei (TW)
- (72) Inventors: **Wei-Teh Ho**, Taipei (TW); **Willy Wei Yu Ho**, Taipei (TW)
- (**) Term: **15 Years**
- (21) Appl. No.: **29/545,070**
- (22) Filed: **Nov. 9, 2015**
- (51) **LOC (10) Cl.** **21-02**
- (52) **U.S. Cl.**
USPC **D21/797**
- (58) **Field of Classification Search**
USPC D21/797, 668, 669, 834, 826, 671, 672;
D6/716; 482/27, 35, 29, 112, 33, 110,
482/148, 28, 77, 147, 51; 297/452.18;
135/96, 117; D30/112; D25/1, 16, 22,
D25/56; 446/220; 473/469; 182/139,
182/224; 273/395, 402
CPC A63B 5/11; A63B 21/023; A63B 2208/12;
A63B 71/022; A63B 2210/50
See application file for complete search history.

- 5,399,132 A * 3/1995 Bailey A63B 5/11
160/135
- 5,545,110 A * 8/1996 Hsiang A63B 5/11
482/27
- 5,613,922 A * 3/1997 Hsiang A63B 69/0097
108/8
- 6,001,045 A * 12/1999 Gift A63B 5/11
482/27
- 6,036,620 A * 3/2000 Yang A63B 5/11
482/27
- 6,155,495 A * 12/2000 Jones A63B 5/11
239/289
- D504,711 S * 5/2005 Hsiung D21/797
(Continued)

(56) **References Cited**

U.S. PATENT DOCUMENTS

- 3,948,515 A * 4/1976 McNeil A63B 5/11
482/27
- 4,139,192 A * 2/1979 McNeil A63B 5/11
403/293
- RE30,344 E * 7/1980 McNeil A63B 5/11
182/139
- D270,557 S * 9/1983 Williams D21/797
- 4,483,531 A * 11/1984 Laseman A63B 5/11
482/27
- 4,489,933 A * 12/1984 Fisher A63B 5/11
482/147
- D287,909 S * 1/1987 Weiss D21/797
- 5,007,638 A * 4/1991 Yukl A63B 69/0097
273/395

OTHER PUBLICATIONS

Proform by HSNtv dated Feb. 20, 2016. Found online [Dec. 16, 2016] <https://www.youtube.com/watch?v=xK3KNtMGJAQ>.*

Primary Examiner — Robert M Spear
Assistant Examiner — Ryan Harvey
(74) *Attorney, Agent, or Firm* — Blakely, Sokoloff, Taylor & Zafman LLP

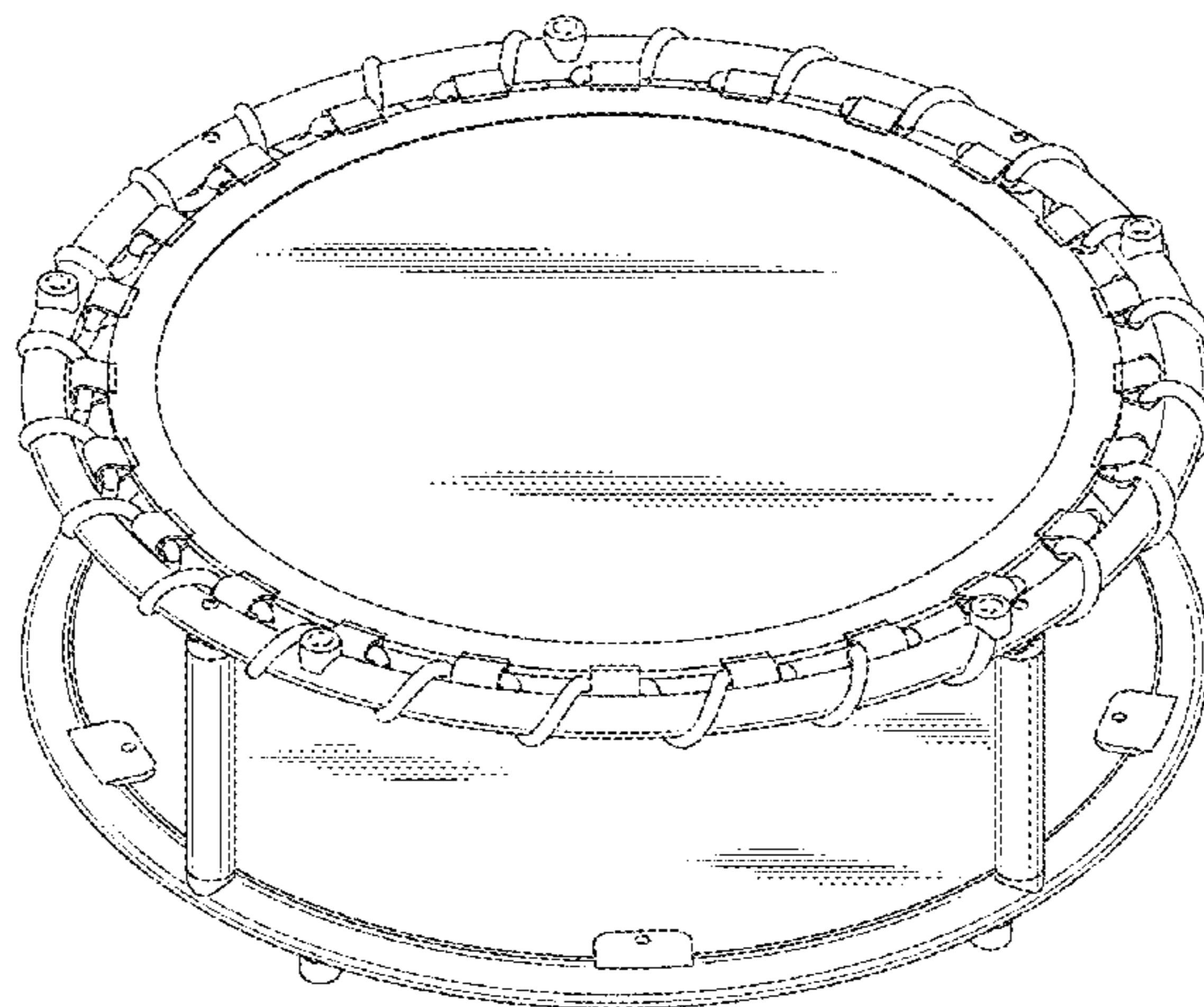
(57) **CLAIM**

The ornamental design for a trampoline, as shown and described.

DESCRIPTION

FIG. 1 is a perspective view of the new design for a trampoline;
FIG. 2 is a front view of the new design;
FIG. 3 is a rear view of the new design;
FIG. 4 is a right side view of the new design;
FIG. 5 is a left side view of the new design;
FIG. 6 is a top view of the new design; and,
FIG. 7 is a bottom view of the new design.
The broken lines depict environment and form no part of the claim.

1 Claim, 5 Drawing Sheets



(56)

References Cited

U.S. PATENT DOCUMENTS

7,494,445	B1 *	2/2009	Chen	A63B 5/11	482/27
7,794,360	B2 *	9/2010	Publicover	A63B 5/11	482/27
D633,162	S *	2/2011	Campanaro	D21/797	
D661,360	S *	6/2012	Campanaro	D21/797	
D680,609	S *	4/2013	Publicover	D21/797	
D716,574	S *	11/2014	Akkad	D6/368	
D720,550	S *	1/2015	Akkad	D6/368	
D737,587	S *	9/2015	Akkad	D6/368	
D758,515	S *	6/2016	Tsai	D21/797	
2002/0160884	A1 *	10/2002	Hall	A63B 5/11	482/23
2002/0183128	A1 *	12/2002	Cho	A63B 63/00	473/197
2003/0060309	A1 *	3/2003	Smith, IV	A63B 69/0002	473/431
2005/0113213	A1 *	5/2005	Alexander	A63B 5/11	482/27
2005/0137061	A1 *	6/2005	Wang	A63B 5/11	482/28
2005/0148433	A1 *	7/2005	Wang	A63B 5/11	482/27
2005/0227812	A1 *	10/2005	James	A63B 5/11	482/27
2006/0189442	A1 *	8/2006	Publicover	A63B 5/11	482/27
2009/0280961	A1 *	11/2009	Ikegami	A63B 5/11	482/27
2011/0021322	A1 *	1/2011	Schaffer	A63B 5/11	482/29
2011/0034300	A1 *	2/2011	Hall	A63B 5/11	482/1
2013/0210590	A1 *	8/2013	Publicover	A63B 5/11	482/110
2014/0051550	A1 *	2/2014	Chen	A63B 5/11	482/27
2014/0315691	A1 *	10/2014	Turner	A63B 26/003	482/27
2014/0342880	A1 *	11/2014	Nelson	A63B 5/11	482/27
2015/0080186	A1 *	3/2015	Carlin	A63B 5/11	482/27

* cited by examiner

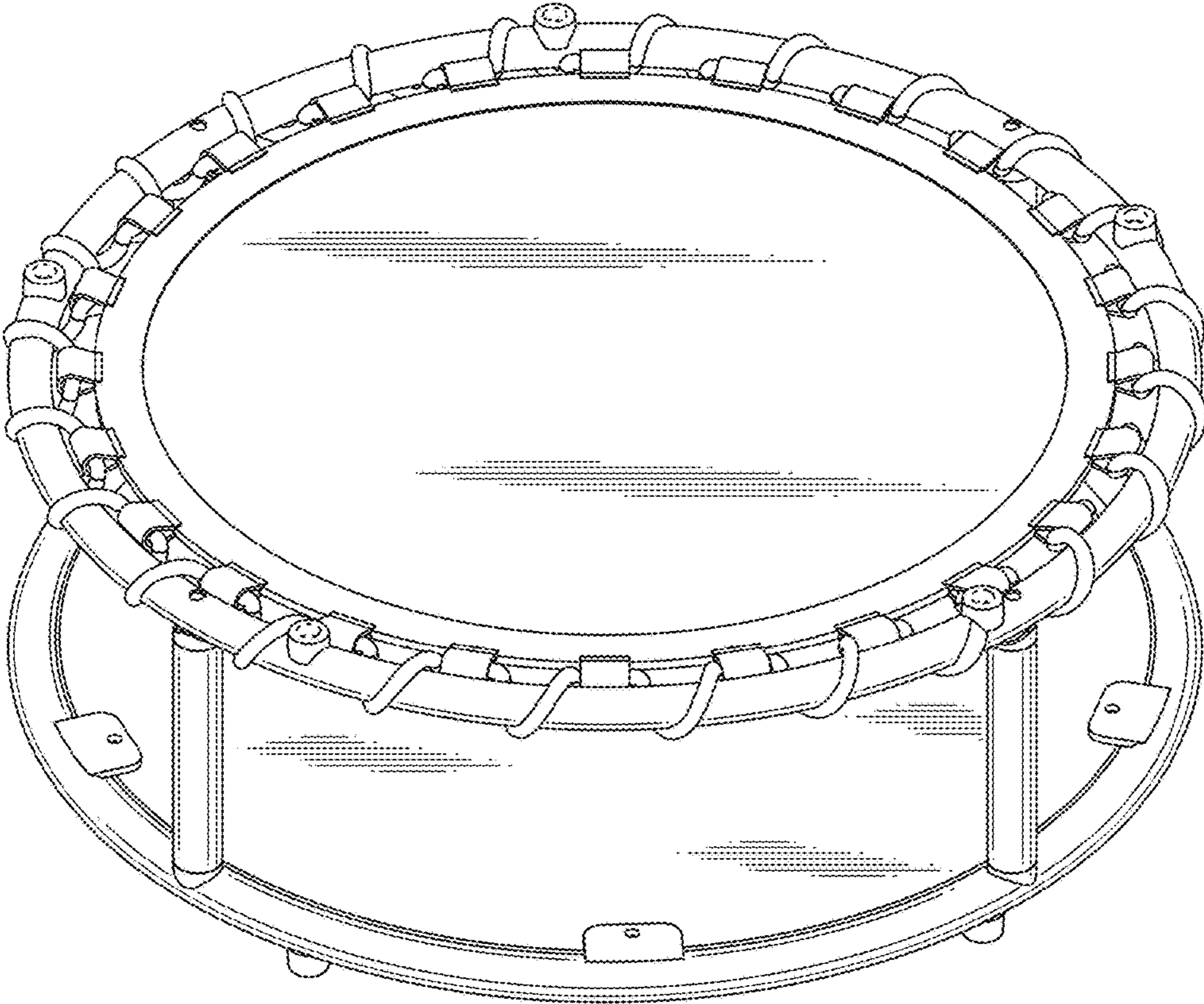


FIG. 1

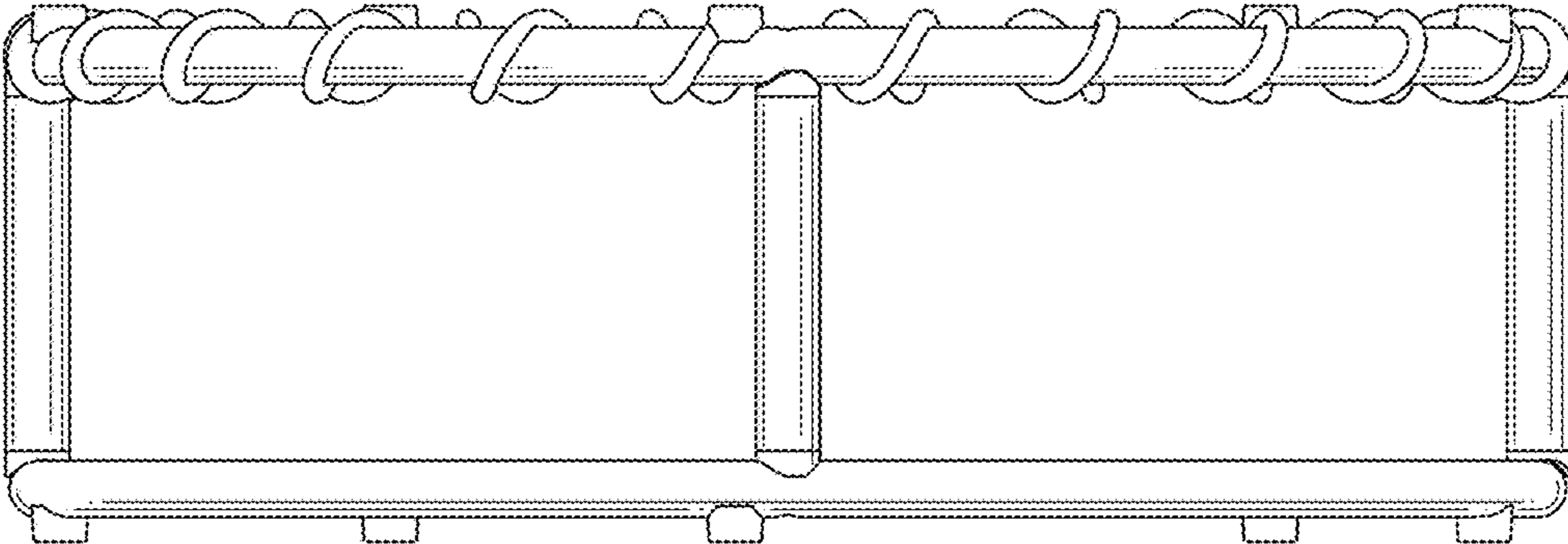


FIG. 2

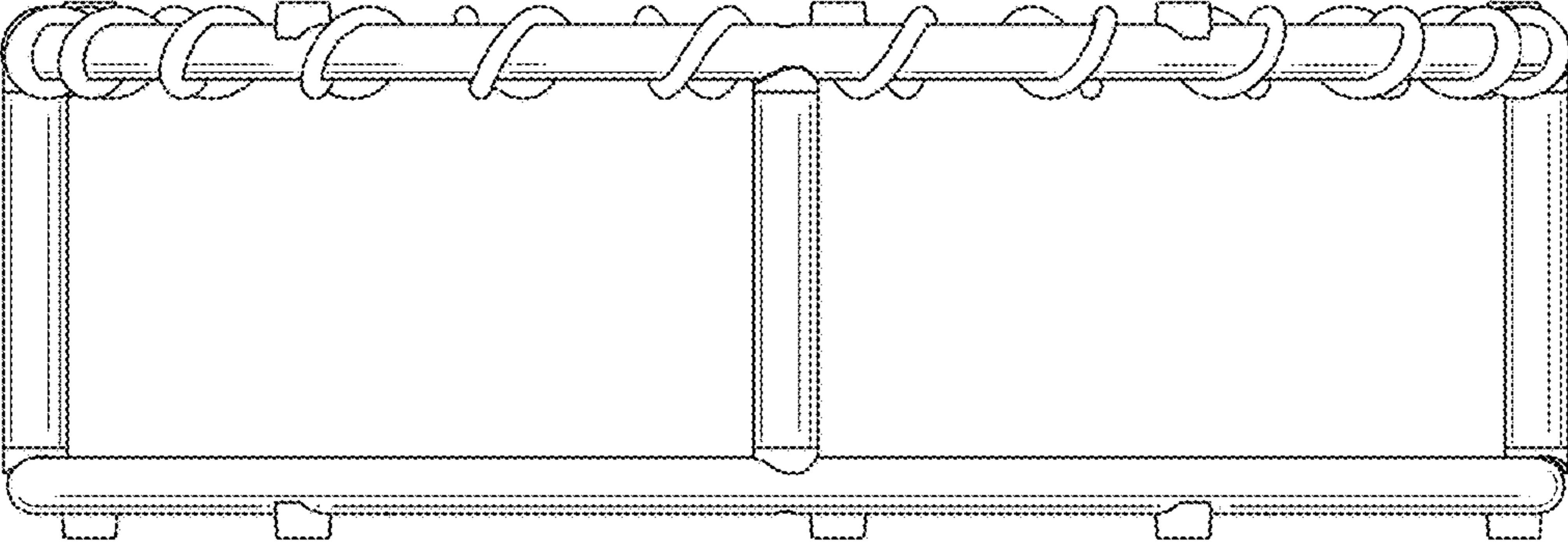


FIG. 3

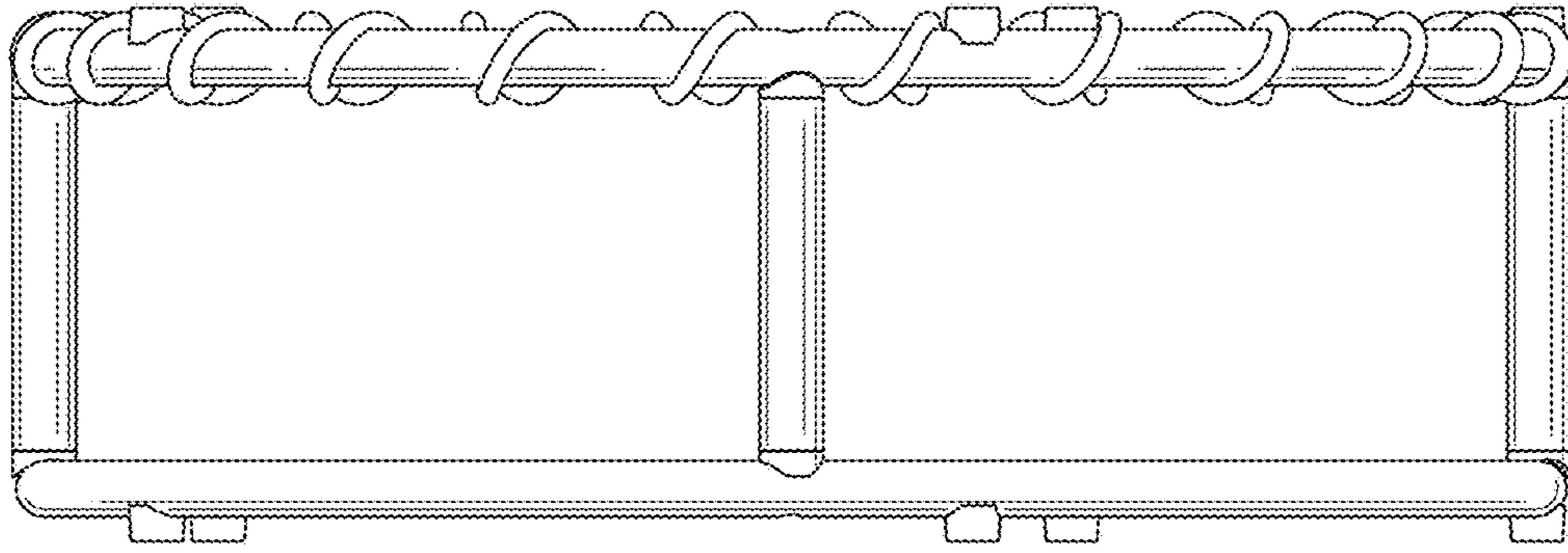


FIG. 4

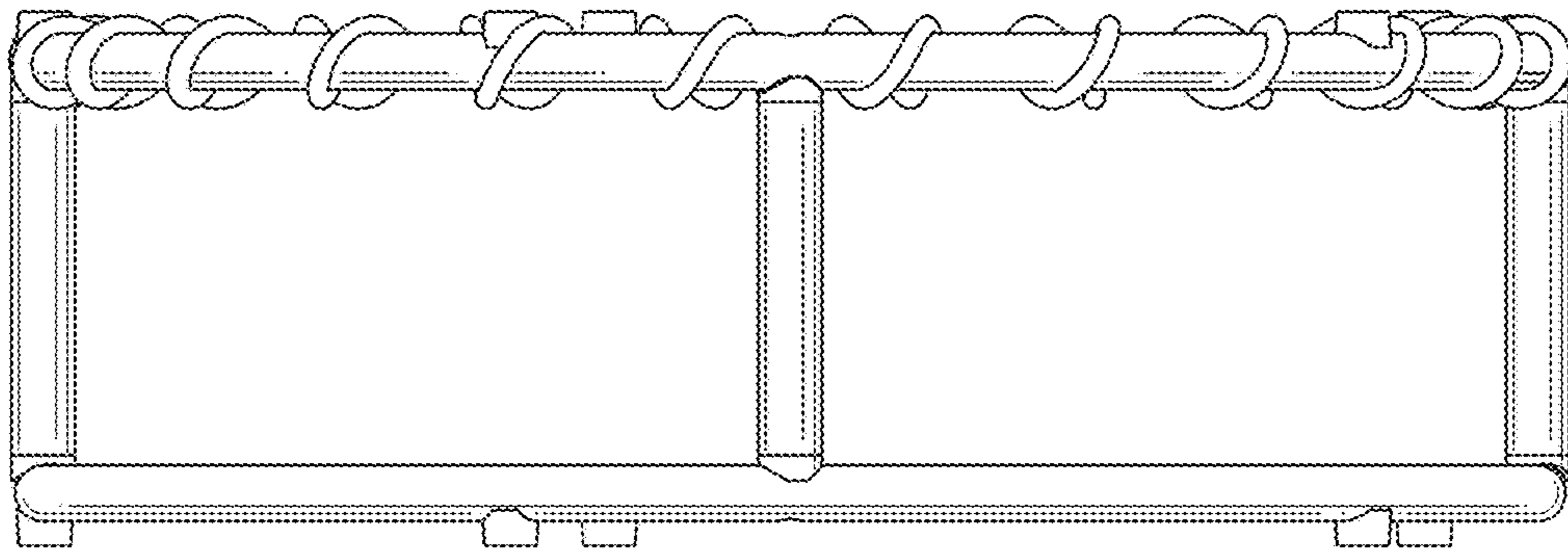


FIG. 5

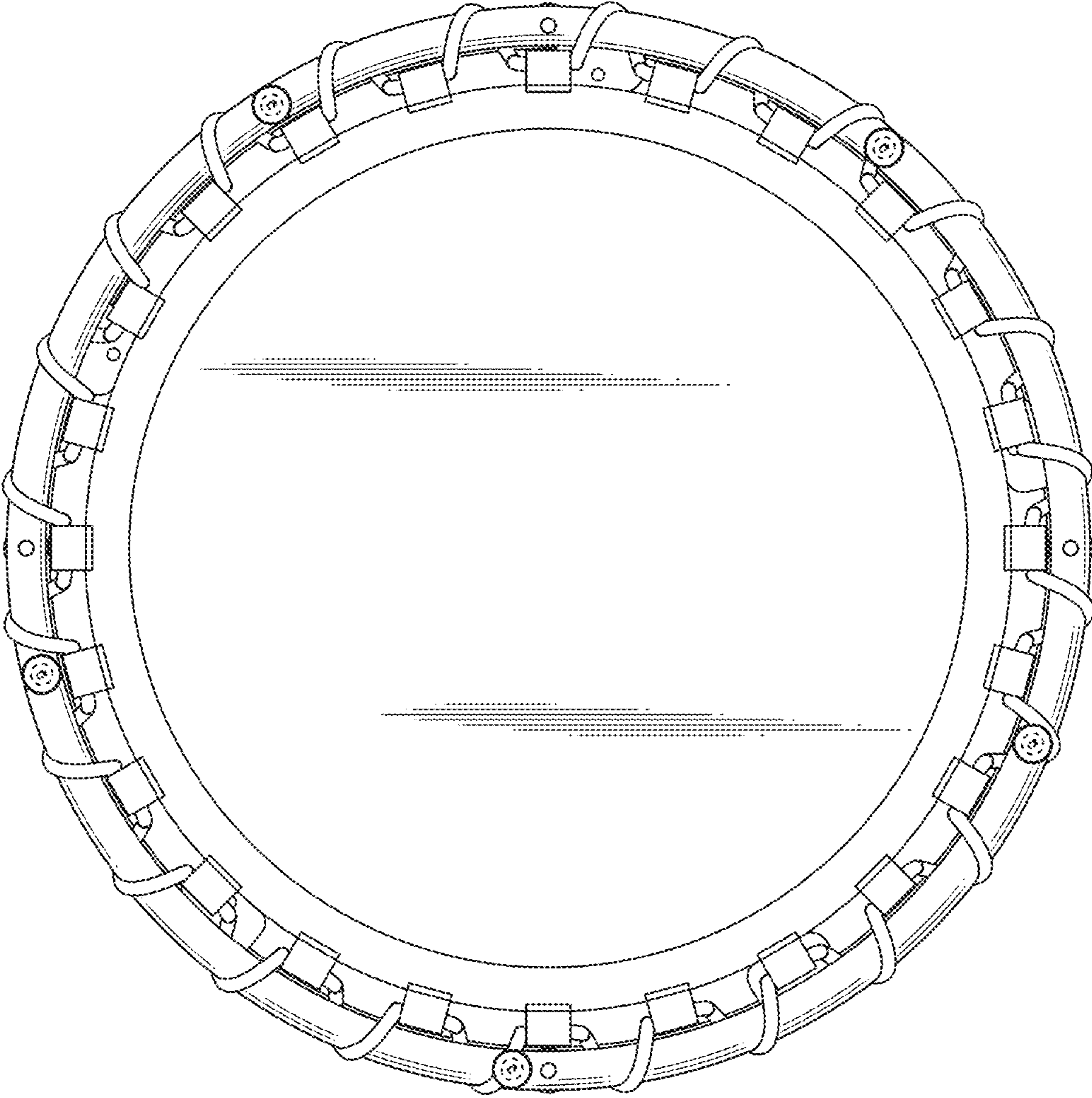


FIG. 6

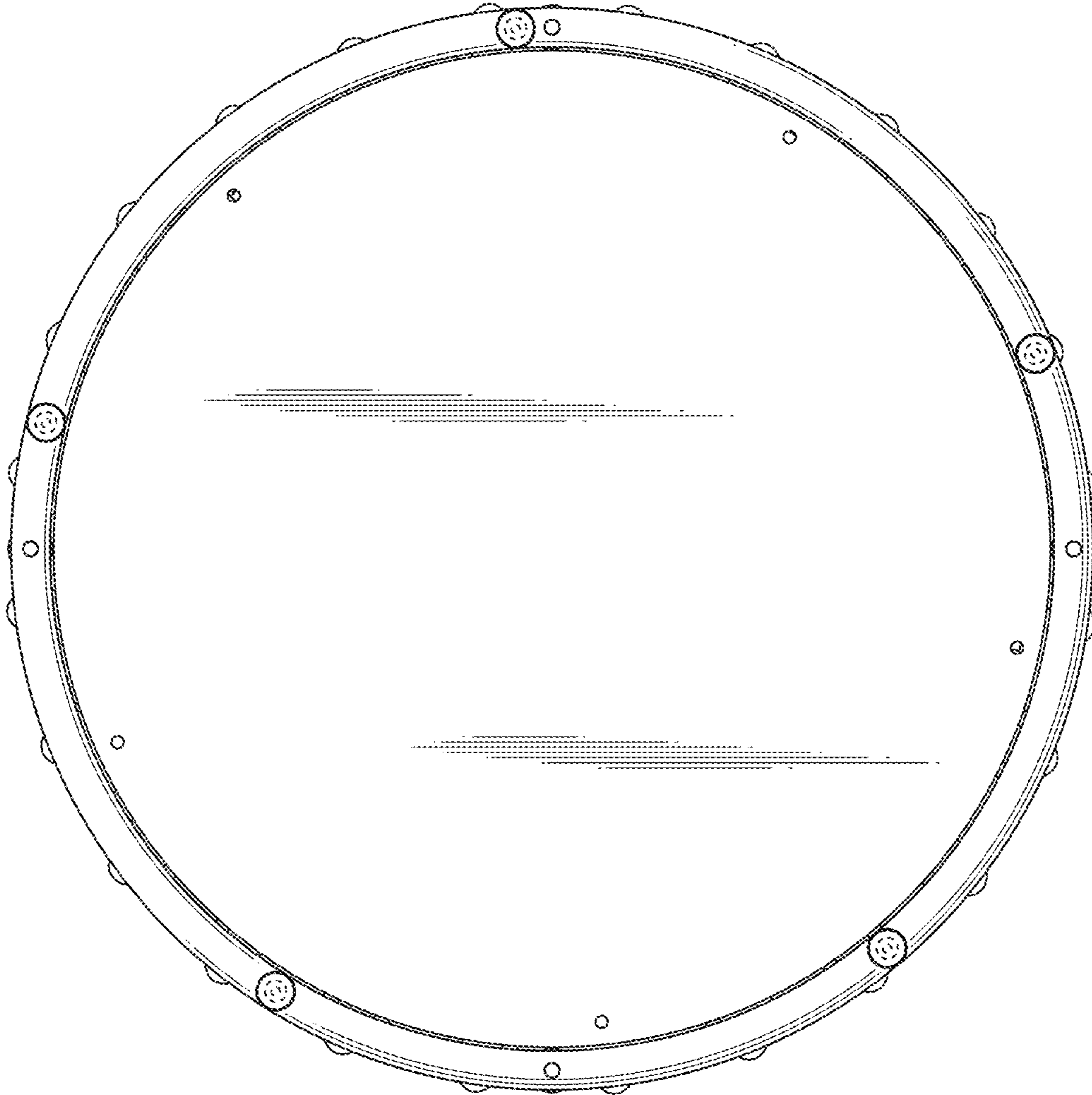


FIG. 7