



US00D791259S

(12) **United States Design Patent**  
**Elena**

(10) **Patent No.:** **US D791,259 S**  
(45) **Date of Patent:** **\*\* Jul. 4, 2017**

(54) **ONE PERSON VEHICLE**  
(71) Applicant: **LA REVOLTA DISSENY DE MOBILITAT, S.L.**, Barcelona (ES)  
(72) Inventor: **Xavier Garcia Elena**, Barcelona (ES)  
(73) Assignee: **LA REVOLTA DISSENY DE MOBILITAT, S.L.**, Barcelona (ES)  
(\*\*) Term: **15 Years**  
(21) Appl. No.: **29/532,888**  
(22) Filed: **Jul. 10, 2015**  
(30) **Foreign Application Priority Data**  
Jan. 12, 2015 (EM) ..... 002611566-0001  
(51) **LOC (10) Cl.** ..... **21-02**  
(52) **U.S. Cl.**  
USPC ..... **D21/765**  
(58) **Field of Classification Search**  
USPC ..... D21/419, 421, 423, 426, 662, 760, 765,  
D21/766, 769, 771, 776, 803; D12/1;  
(Continued)

(56) **References Cited**  
**U.S. PATENT DOCUMENTS**  
D252,346 S \* 7/1979 Solheim ..... D21/765  
4,775,162 A 10/1988 Chao  
(Continued)

**FOREIGN PATENT DOCUMENTS**  
EP 1391225 A1 2/2004  
ES 2556274 1/2016  
WO 2016005953 A1 1/2016

**OTHER PUBLICATIONS**  
European Patent Office; International Search Report for International Application No. PCT/IB2015/055230; Rijswijk, Netherlands; Oct. 13, 2015.

(Continued)

*Primary Examiner* — Cynthia M Chin  
(74) *Attorney, Agent, or Firm* — Thomas E. Lees, LLC

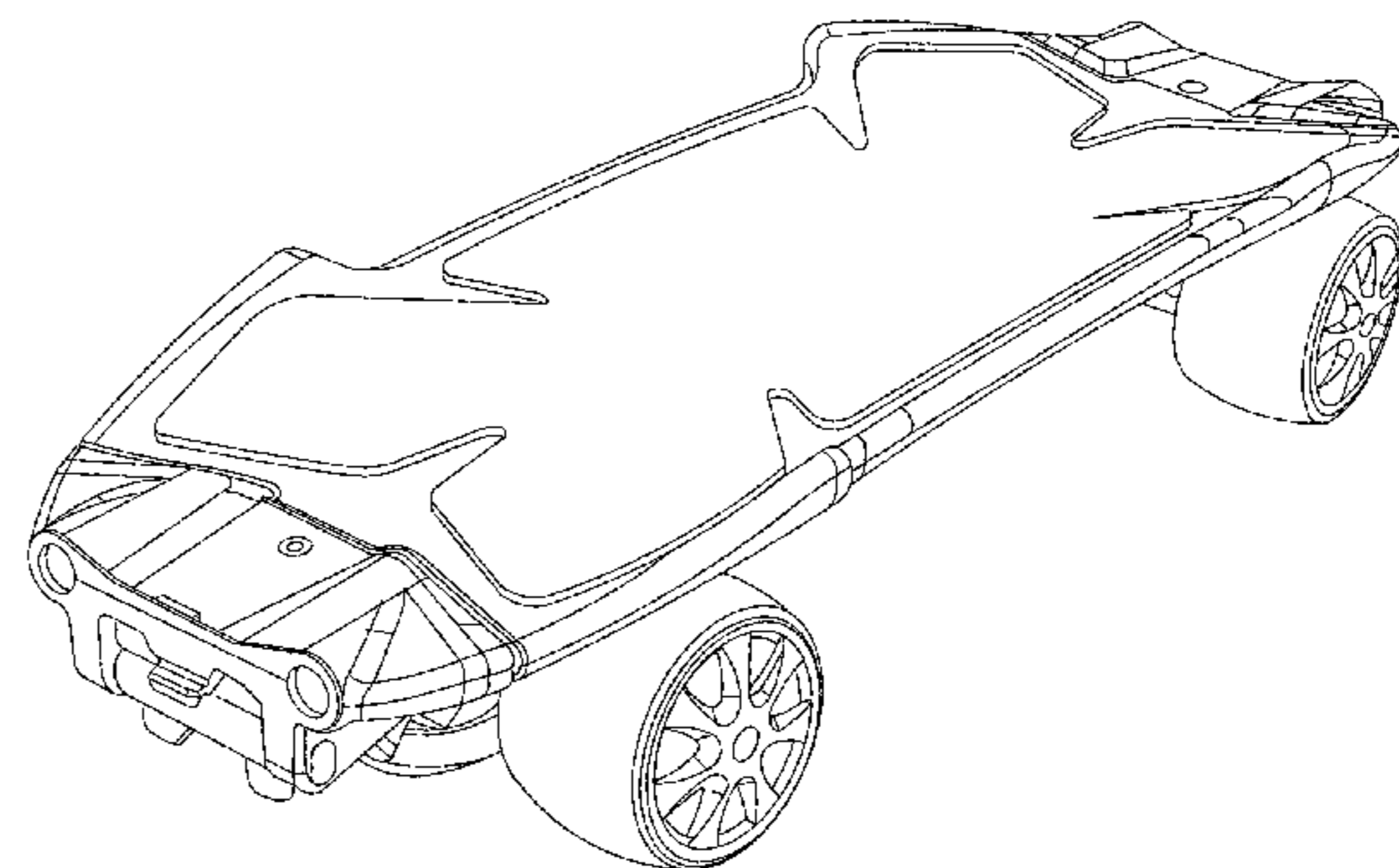
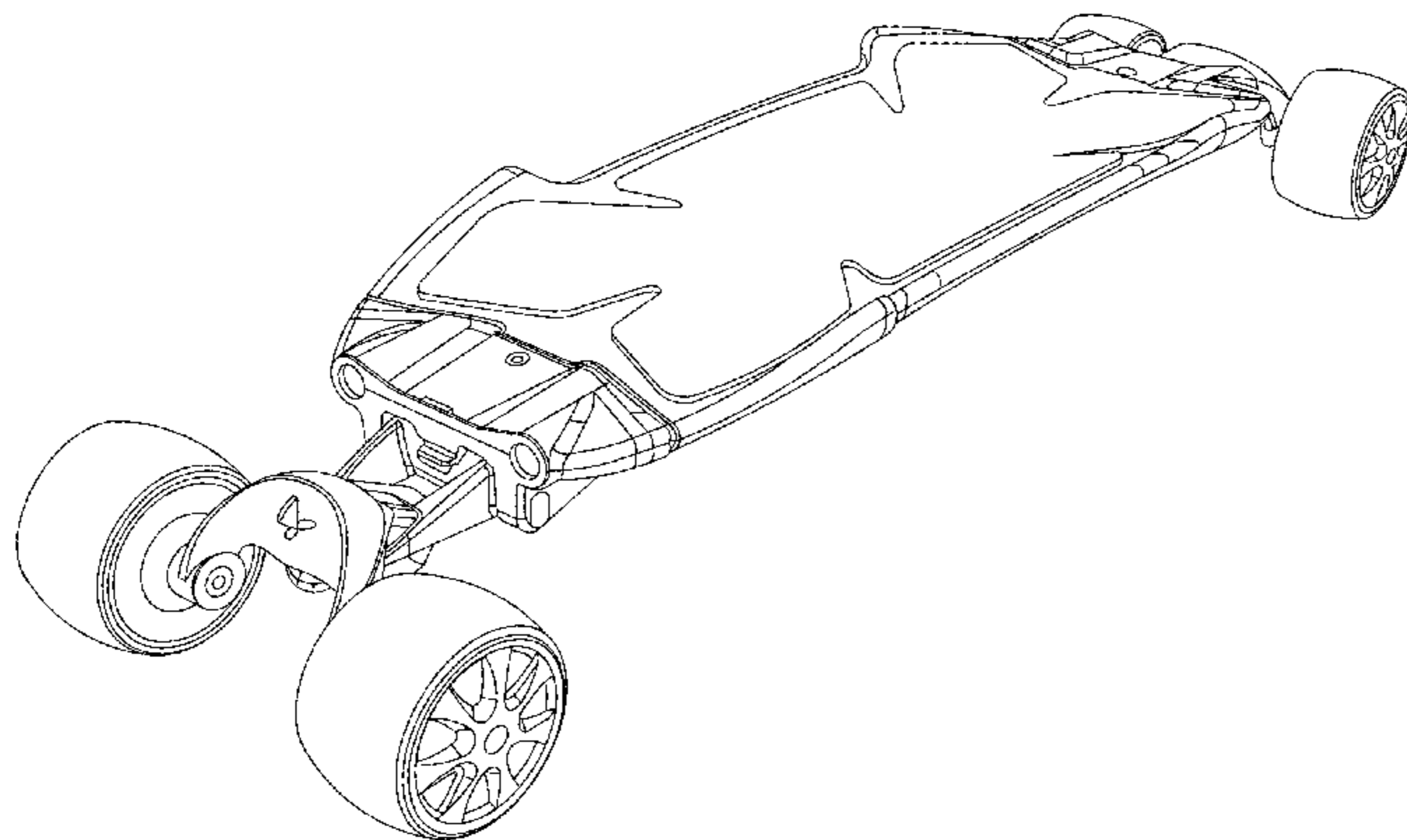
(57) **CLAIM**

I claim the ornamental design for a one person vehicle, as shown and described.

**DESCRIPTION**

FIG. 1 is a perspective view of the one person vehicle with the arms carrying the wheels in an unfolded position.  
FIG. 2 is another perspective view of the one person vehicle with the arms carrying the wheels in a folded position.  
FIG. 3 is a side elevation view of the one person vehicle with the arms carrying the wheels in an unfolded position, the opposite side view being a mirror image thereof;  
FIG. 4 is a side elevation view of the one person vehicle with the arms carrying the wheels in a folded position, the opposite side view being a mirror image thereof;  
FIG. 5 is a front elevation view of the one person vehicle with the arms carrying the wheels in an unfolded position, the rear elevation view being a mirror image thereof;  
FIG. 6 is a front elevation view of the one person vehicle with the arms carrying the wheels in a folded position, the rear elevation view being a mirror image thereof;  
FIG. 7 is a top plan view of the one person vehicle with the arms carrying the wheels in an unfolded position.  
FIG. 8 is a top plan view of the one person vehicle with the arms carrying the wheels in a folded position.  
FIG. 9 is a bottom view of the one person vehicle with the arms carrying the wheels in an unfolded position.  
FIG. 10 is a bottom view of the one person vehicle with the arms carrying the wheels in a folded position.  
FIG. 11 is a bottom perspective view of the one person vehicle with the arms carrying the wheels in an unfolded position; and,  
FIG. 12 is a bottom perspective view of the one person vehicle with the arms carrying the wheels in a folded position.

**1 Claim, 11 Drawing Sheets**



# US D791,259 S

Page 2

(58) **Field of Classification Search**

USPC ..... 280/7.14, 11.115, 11.19, 11.27, 11.28,  
280/14.21, 79.11, 79.2, 87.01, 87.021,  
280/87.03, 87.041, 87.042, 607, 608, 609,  
280/809; 180/180, 181; 434/247, 253,  
434/258  
CPC ..... A63C 17/01; A63C 17/011; A63C 17/012;  
A63C 17/014; A63C 17/015; A63C  
17/02; A63C 17/26; A63C 5/003; B60Q  
1/326; B62K 3/001

See application file for complete search history.

(56) **References Cited**

U.S. PATENT DOCUMENTS

5,794,955 A \* 8/1998 Flynn ..... A63C 17/01  
280/11.28  
D398,358 S \* 9/1998 Jeffreys ..... D21/765  
D413,954 S \* 9/1999 Gerlach ..... D21/765  
5,997,018 A \* 12/1999 Lee ..... A63C 17/0046  
280/11.28  
6,102,415 A \* 8/2000 Stewardson ..... A63C 17/0033  
280/11.27  
D444,197 S \* 6/2001 Augustin ..... D21/765

D505,704 S \* 5/2005 Ying ..... D21/765  
D509,871 S \* 9/2005 Lee ..... D21/765  
7,374,179 B2 \* 5/2008 Cole ..... A63C 17/0046  
280/11.27  
8,251,384 B1 \* 8/2012 Christensen ..... A63C 17/012  
280/11.115  
8,696,000 B1 4/2014 Chen  
D735,828 S \* 8/2015 Lai ..... D21/765  
2005/0012290 A1 1/2005 McClain  
2005/0051984 A1 3/2005 Williams  
2005/0280231 A1 12/2005 Gallipoli  
2006/0213711 A1 9/2006 Hara  
2010/0301572 A1 12/2010 Newton  
2010/0327546 A1 12/2010 Nelson et al.  
2013/0081891 A1 4/2013 Ulmen et al.  
2014/0151972 A1 6/2014 Williams

OTHER PUBLICATIONS

European Patent Office; Written Opinion of the International  
Searching Authority for International Application No. PCT/IB2015/  
055230; Munich, Germany; Oct. 13, 2015.  
Spanish Patent Office; Search Report for Spanish patent application  
No. 201431050; Oct. 21, 2015.

\* cited by examiner

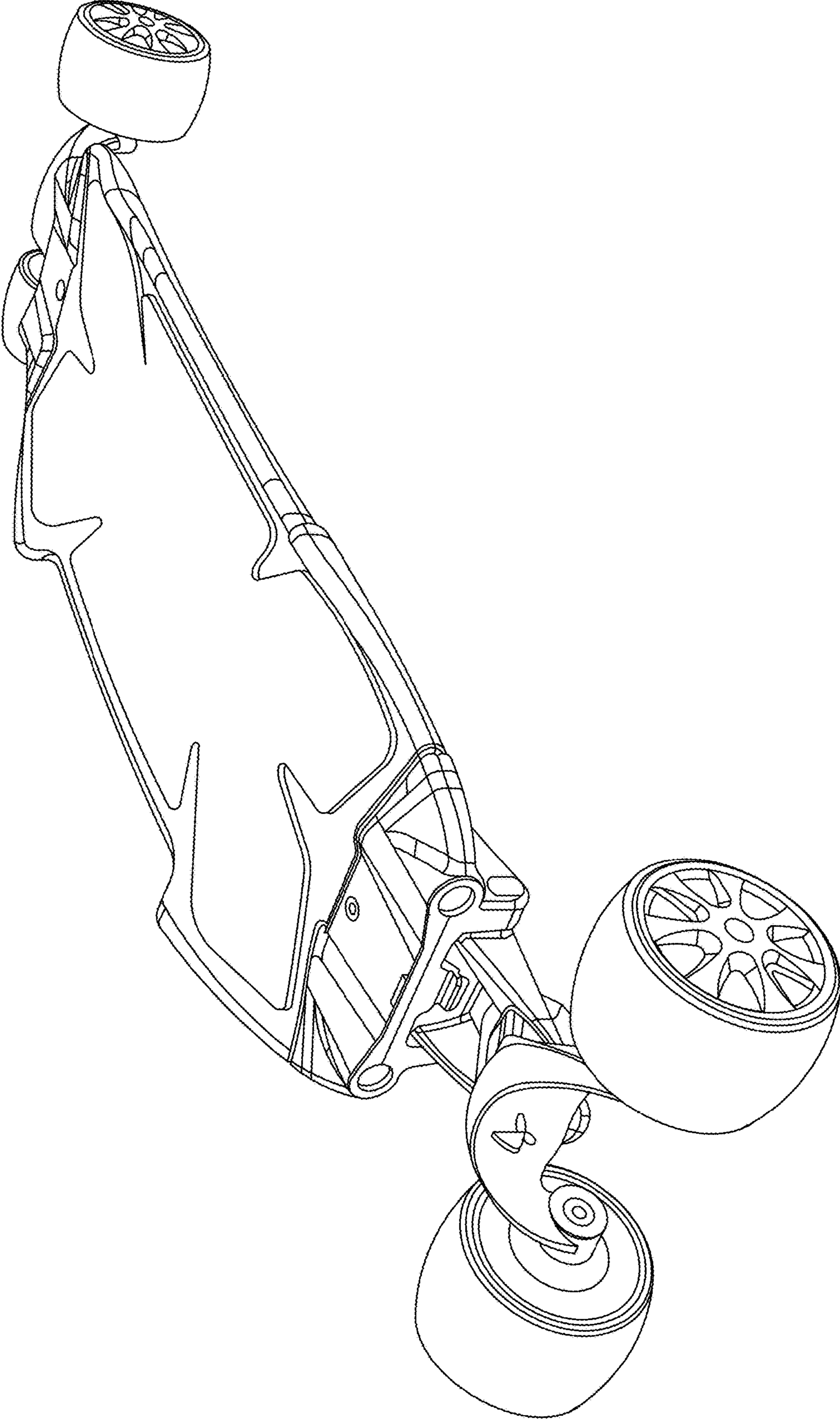


Fig. 1



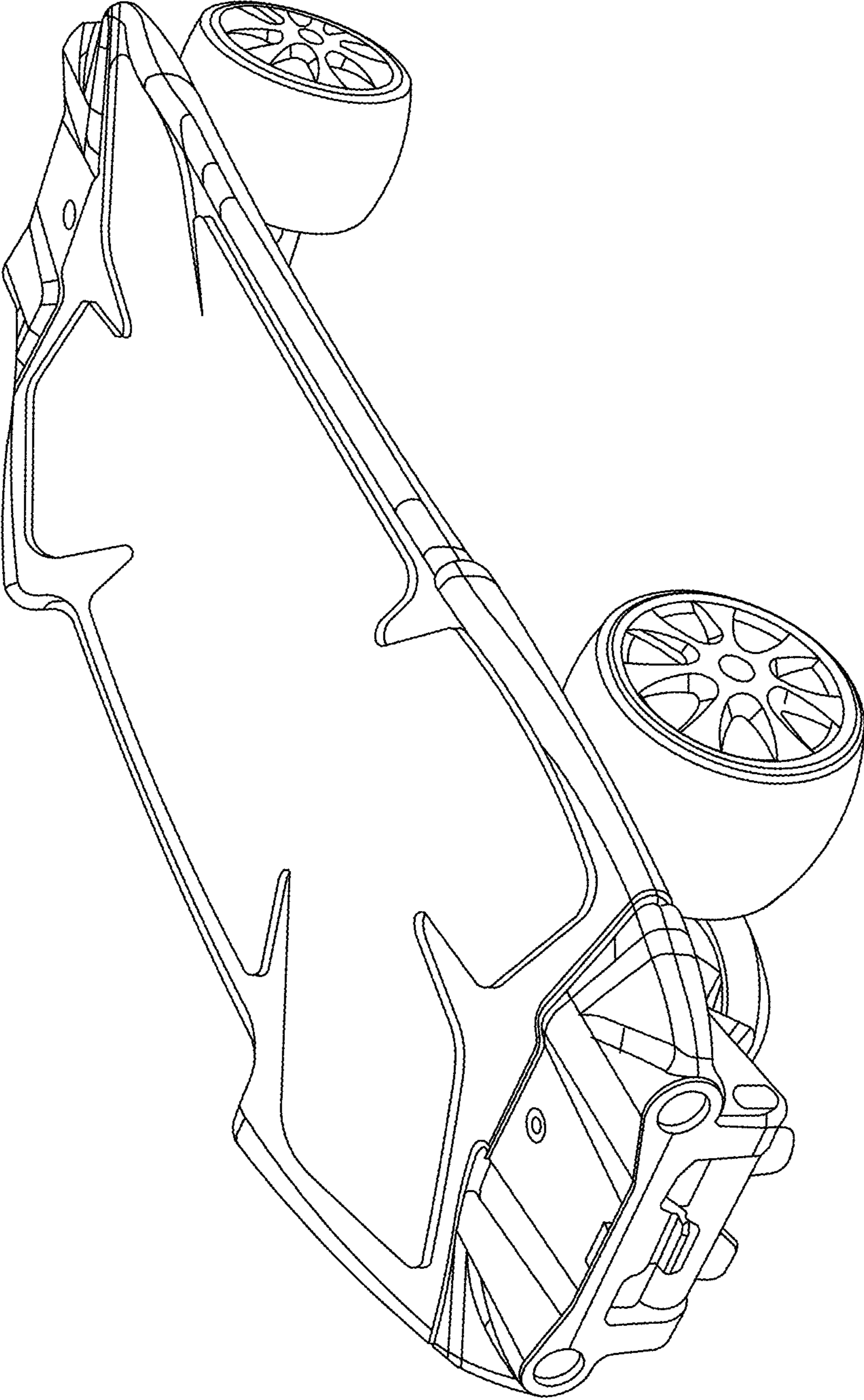


Fig. 2

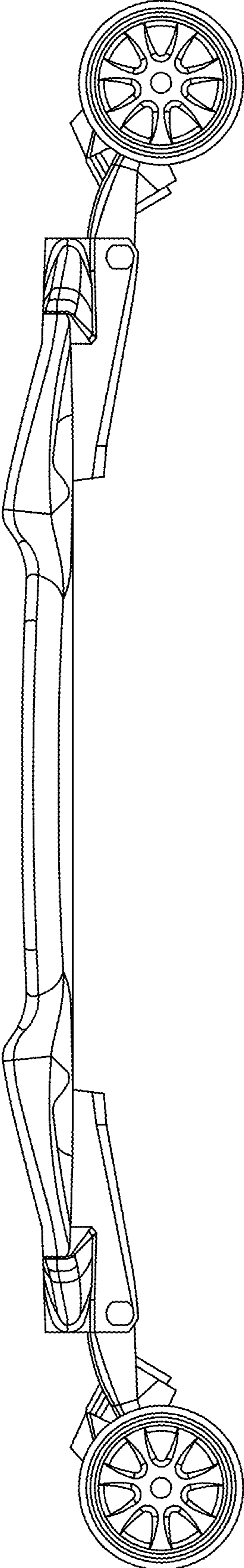


Fig. 3

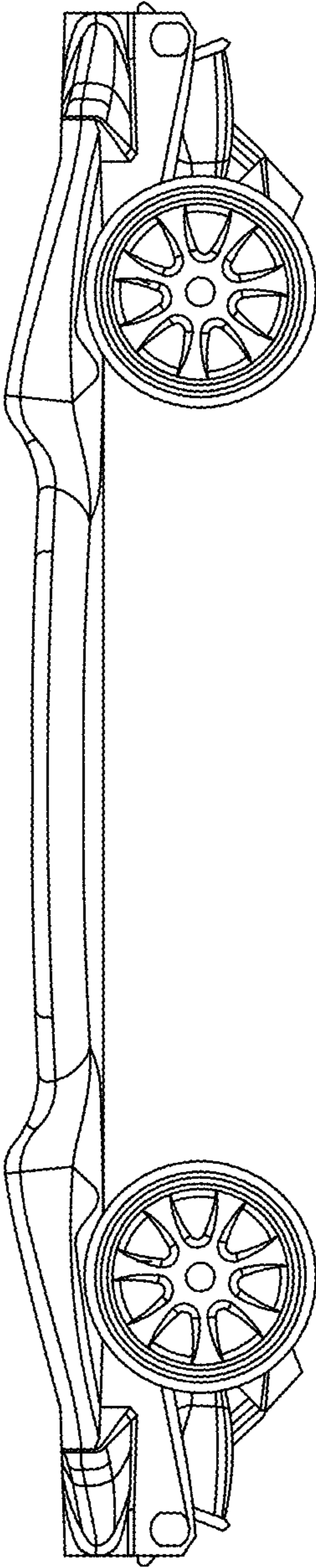


Fig. 4

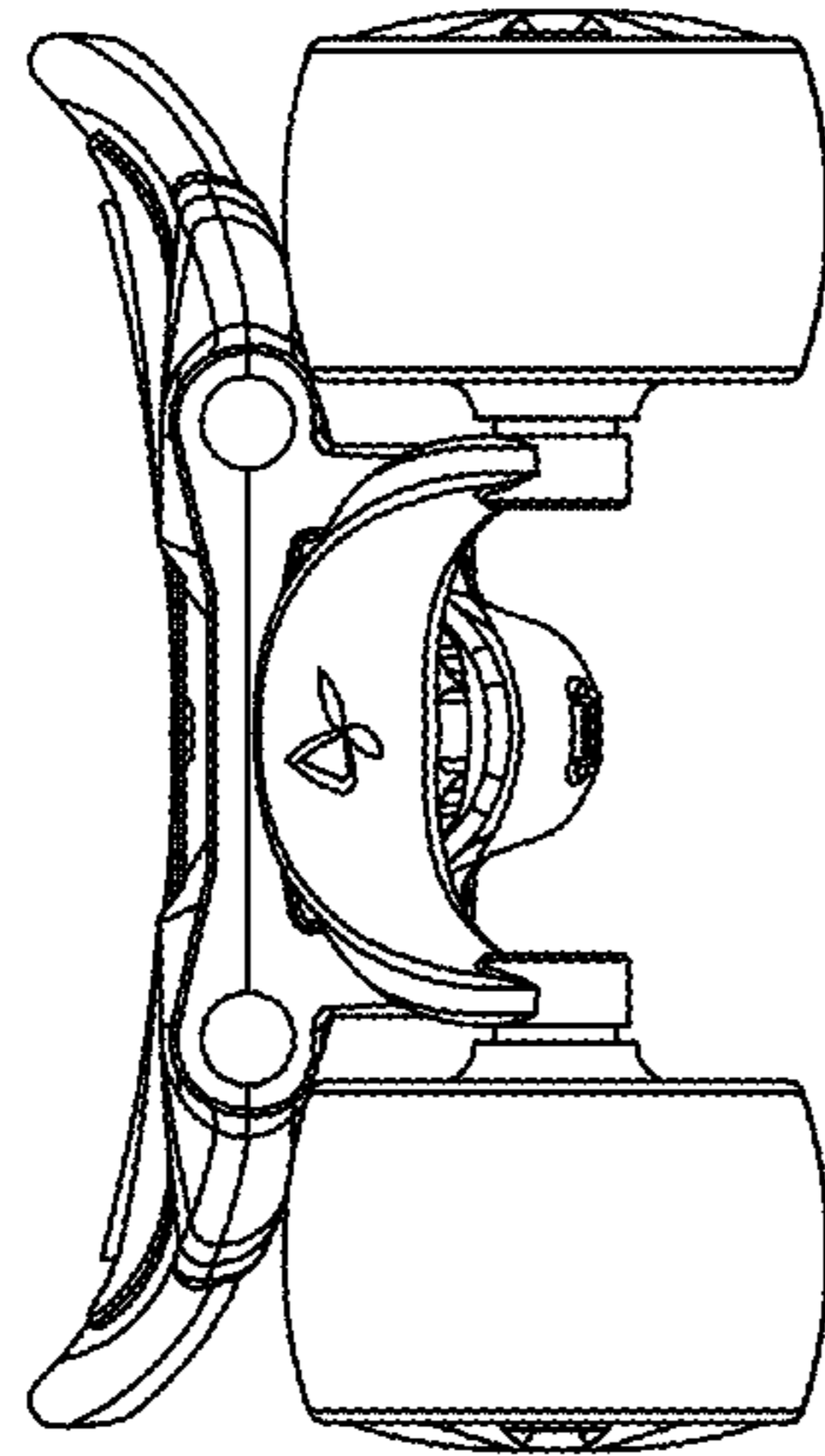


Fig. 5

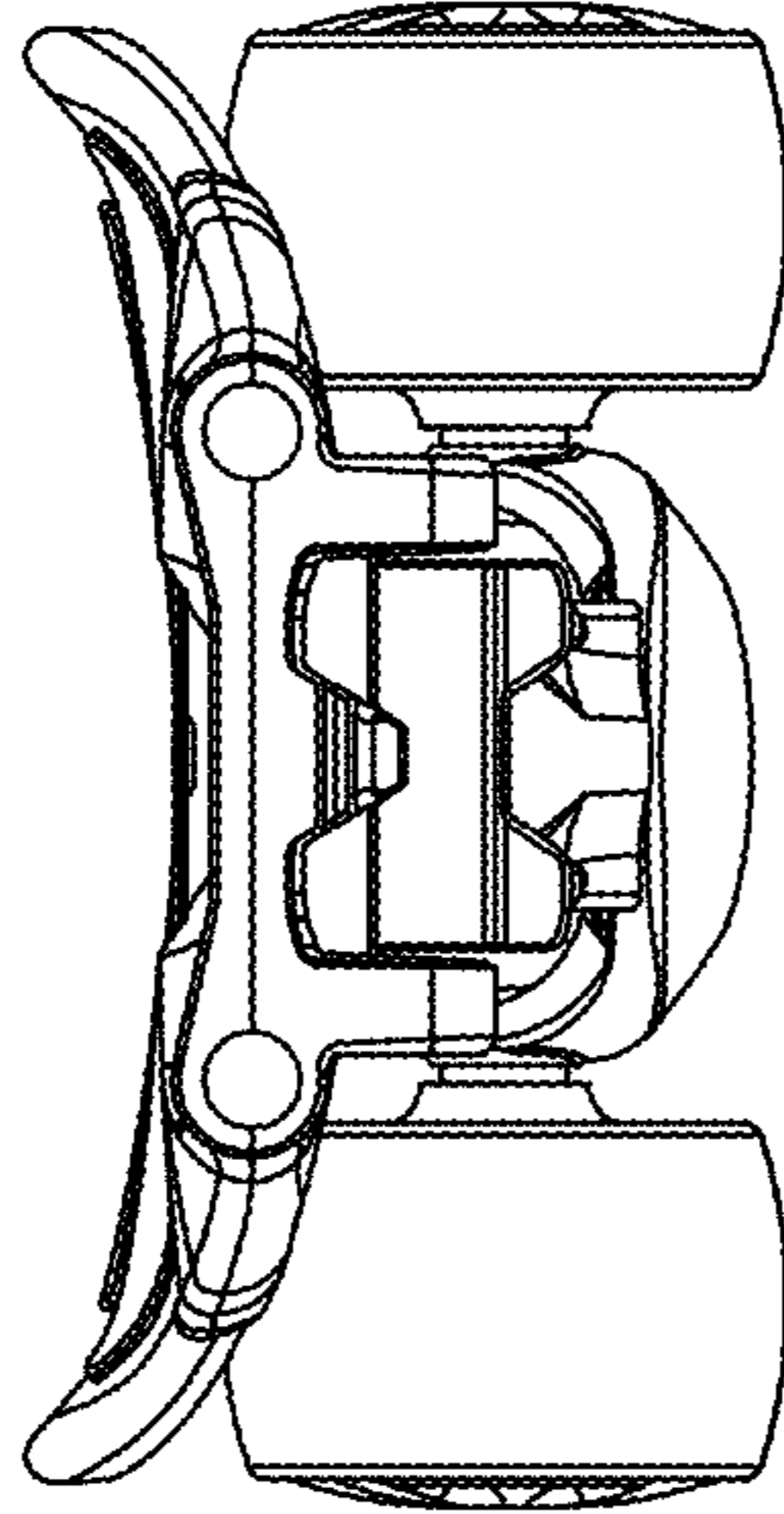


Fig. 6

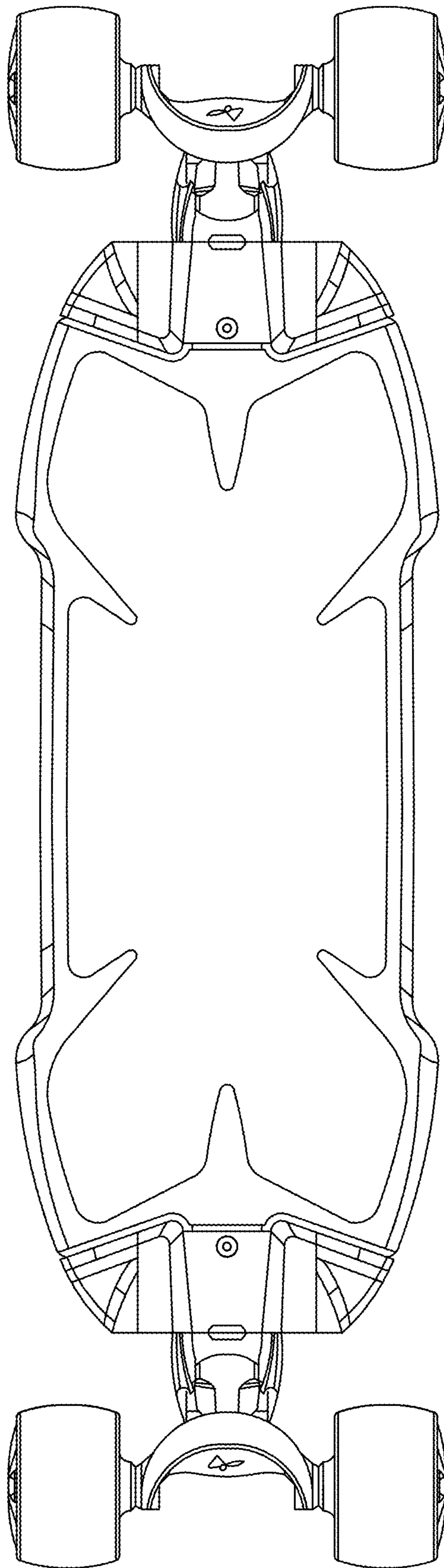


Fig. 7



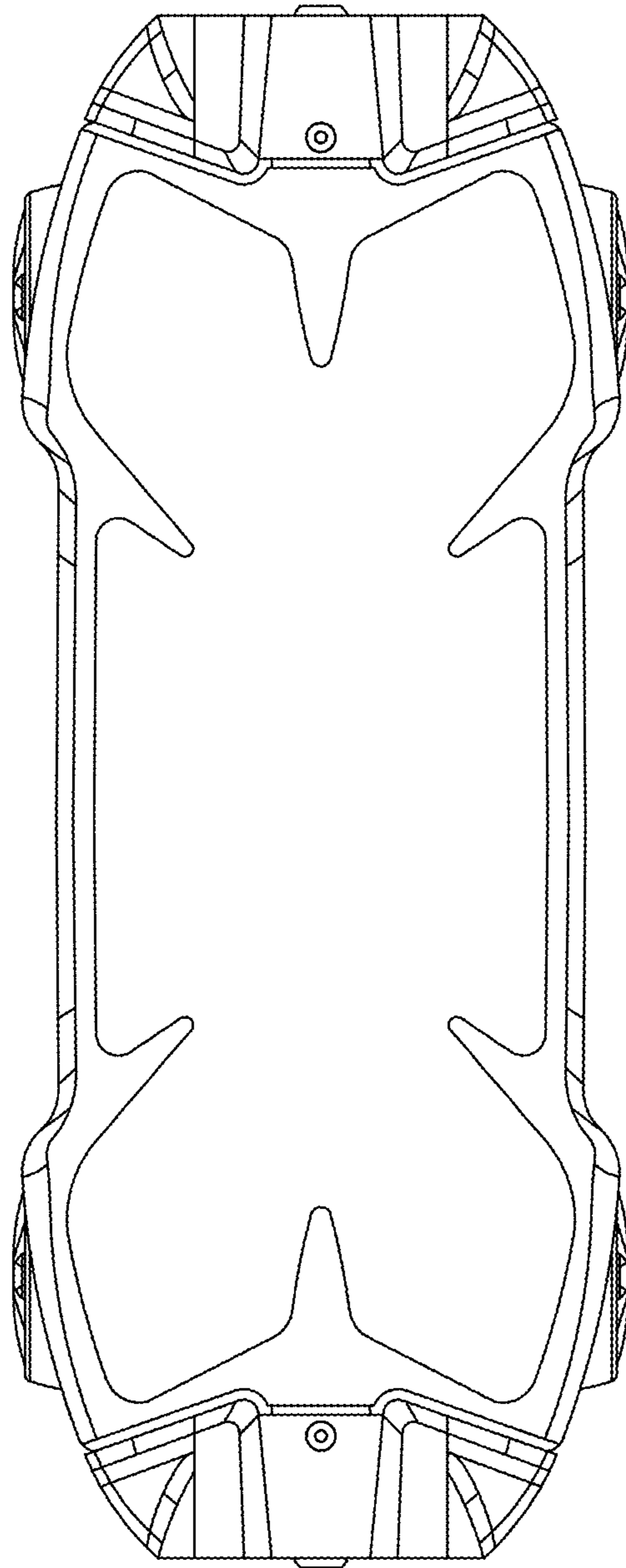


Fig. 8

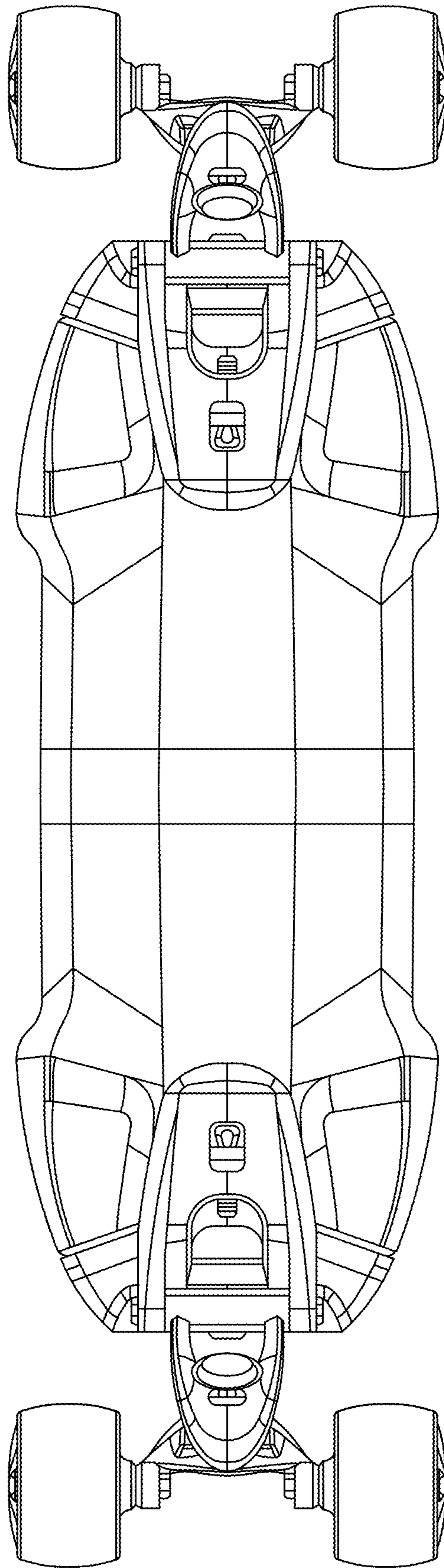


Fig. 9

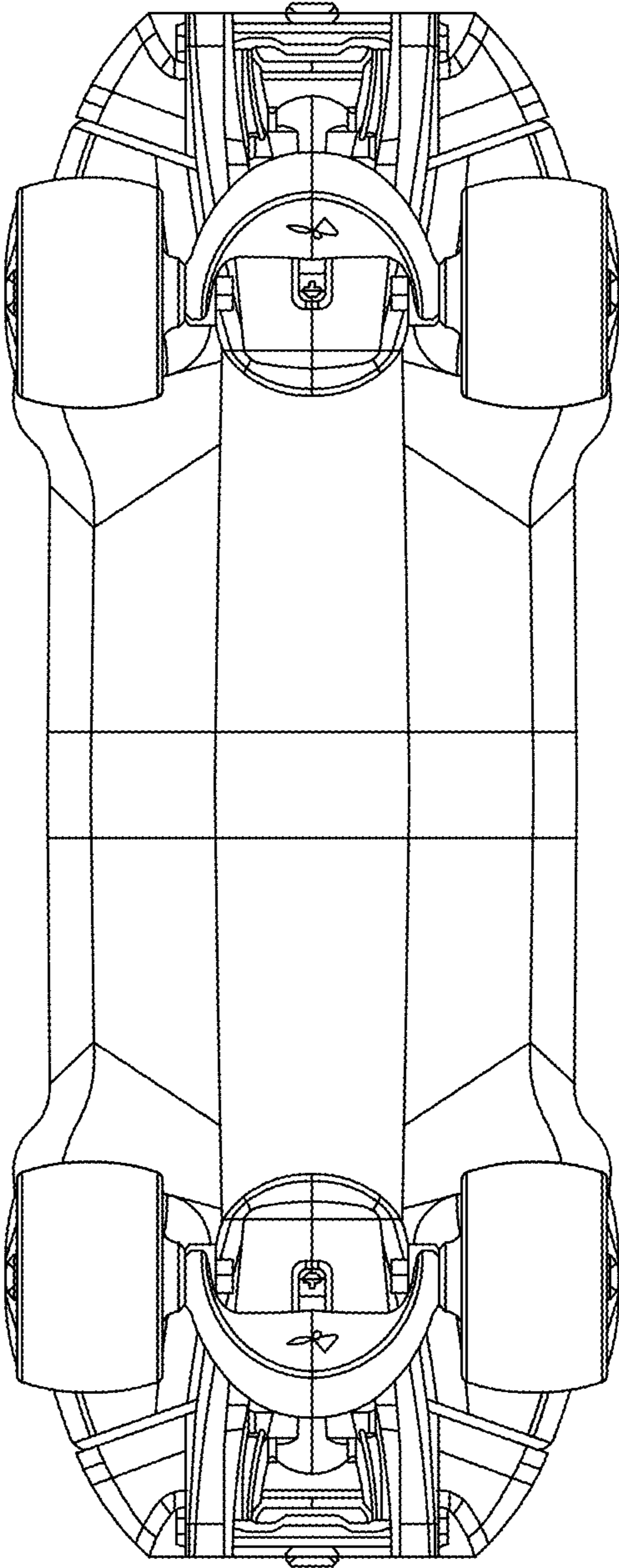


Fig. 10

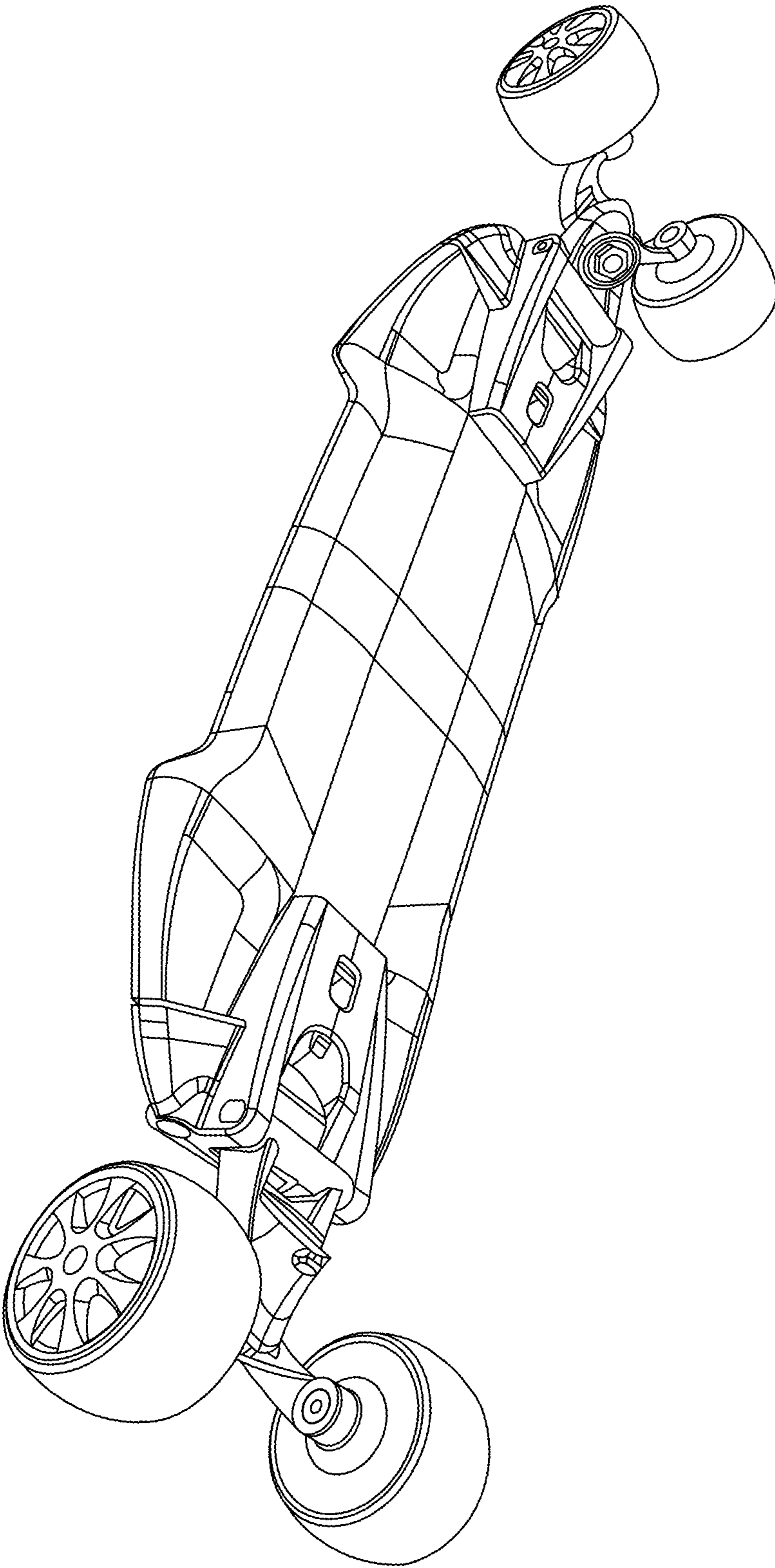


Fig. 11



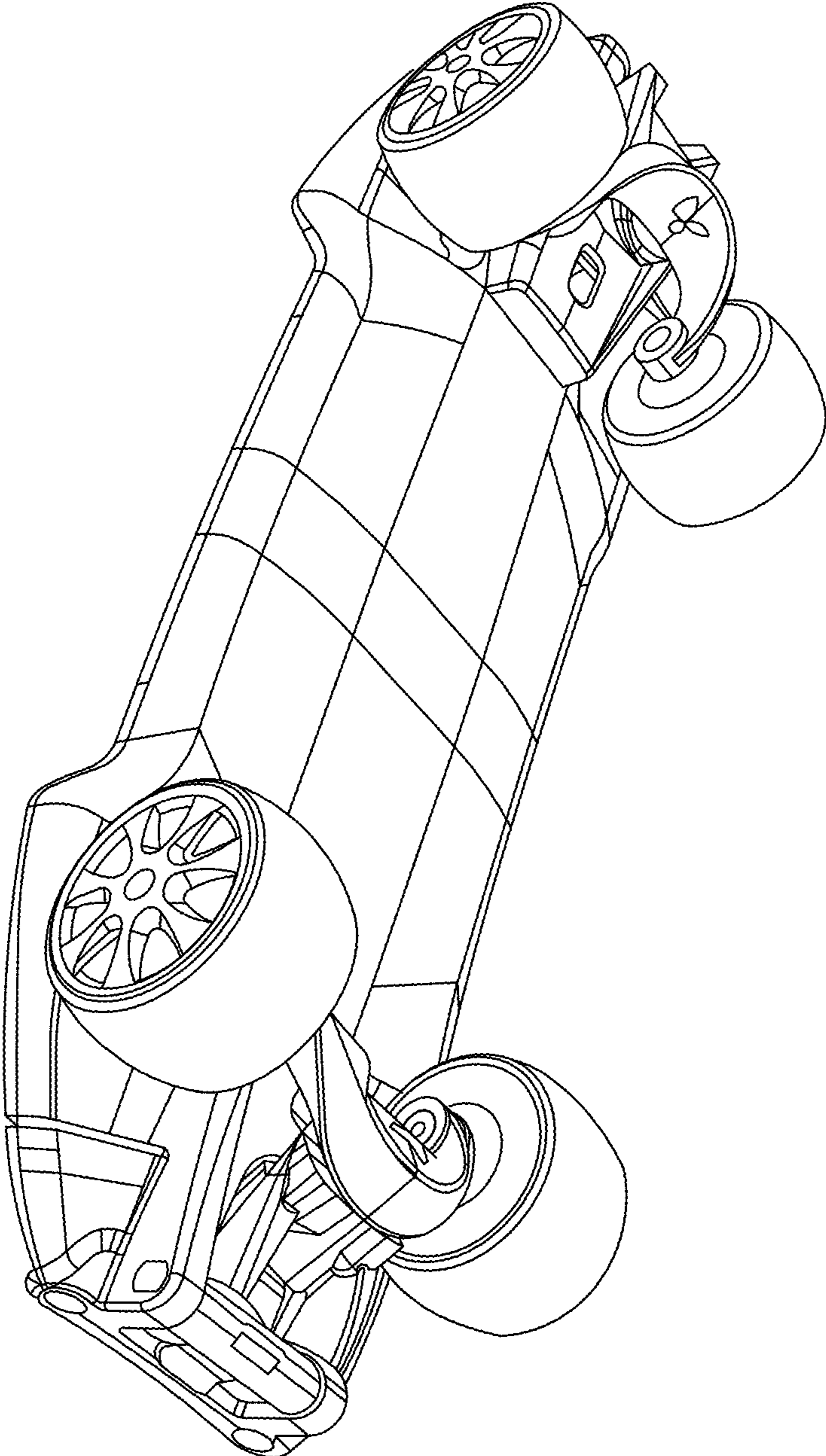


Fig. 12