



US00D791256S

(12) **United States Design Patent**  
**Nielson et al.**

(10) **Patent No.: US D791,256 S**

(45) **Date of Patent: \*\* Jul. 4, 2017**

(54) **GOLF CLUB HEAD**

D708,280 S \* 7/2014 Sargent ..... D21/759  
D709,570 S \* 7/2014 Mirafior, III ..... D21/759  
D709,571 S \* 7/2014 Sargent ..... D21/759

(71) Applicant: **Taylor Made Golf Company, Inc.**,  
Carlsbad, CA (US)

(Continued)

(72) Inventors: **Joseph Reeve Nielson**, Vista, CA (US);  
**Christian Reber Wester**, San Diego,  
CA (US); **Craig Richard Slyfield**, San  
Diego, CA (US); **Rachel Elizabeth  
Gardner**, Vista, CA (US); **Brian  
Bazzel**, Carlsbad, CA (US); **Robert  
Nunez**, Vista, CA (US)

**OTHER PUBLICATIONS**

“Cobra BiO Cell + Driver,” downloaded from <http://www.golfsmith.com/product/30101039/cobra-bio-cell-driver>, 1 page (document not dated, downloaded on May 12, 2015).

*Primary Examiner* — Mitchell Siegel

(73) Assignee: **TAYLOR MADE GOLF COMPANY, INC.**, Carlsbad, CA (US)

(74) *Attorney, Agent, or Firm* — Klarquist Sparkman, LLP

(\*\*) Term: **15 Years**

(57) **CLAIM**

We claim the ornamental design for a golf club head, as shown and described.

(21) Appl. No.: **29/544,675**

(22) Filed: **Nov. 5, 2015**

**DESCRIPTION**

**Related U.S. Application Data**

(63) Continuation of application No. 29/525,641, filed on Apr. 30, 2015, now Pat. No. Des. 767,694.

FIG. 1 is a perspective view of a golf club head, as viewed from the front, above and one side, according to one embodiment.

(51) **LOC (10) Cl.** ..... **21-02**

FIG. 2 is a front elevation view of the golf club head of FIG. 1.

(52) **U.S. Cl.**  
USPC ..... **D21/759**

FIG. 3 is a rear elevation view of the golf club head of FIG. 1.

(58) **Field of Classification Search**  
USPC ..... D21/733, 752, 759  
CPC ..... A63B 53/00; A63B 53/04; A63B 53/0466;  
A63B 2053/002; A63B 2053/0433; A63B  
2053/0437; A63B 2053/445; A63B  
2053/0491

FIG. 4 is a side elevation view of the toe of the golf club head of FIG. 1.

FIG. 5 is a side elevation view of the heel of the golf club head of FIG. 1.

See application file for complete search history.

FIG. 6 is a top plan view of the golf club head of FIG. 1; and, FIG. 7 is a bottom plan view of the golf club head of FIG. 1.

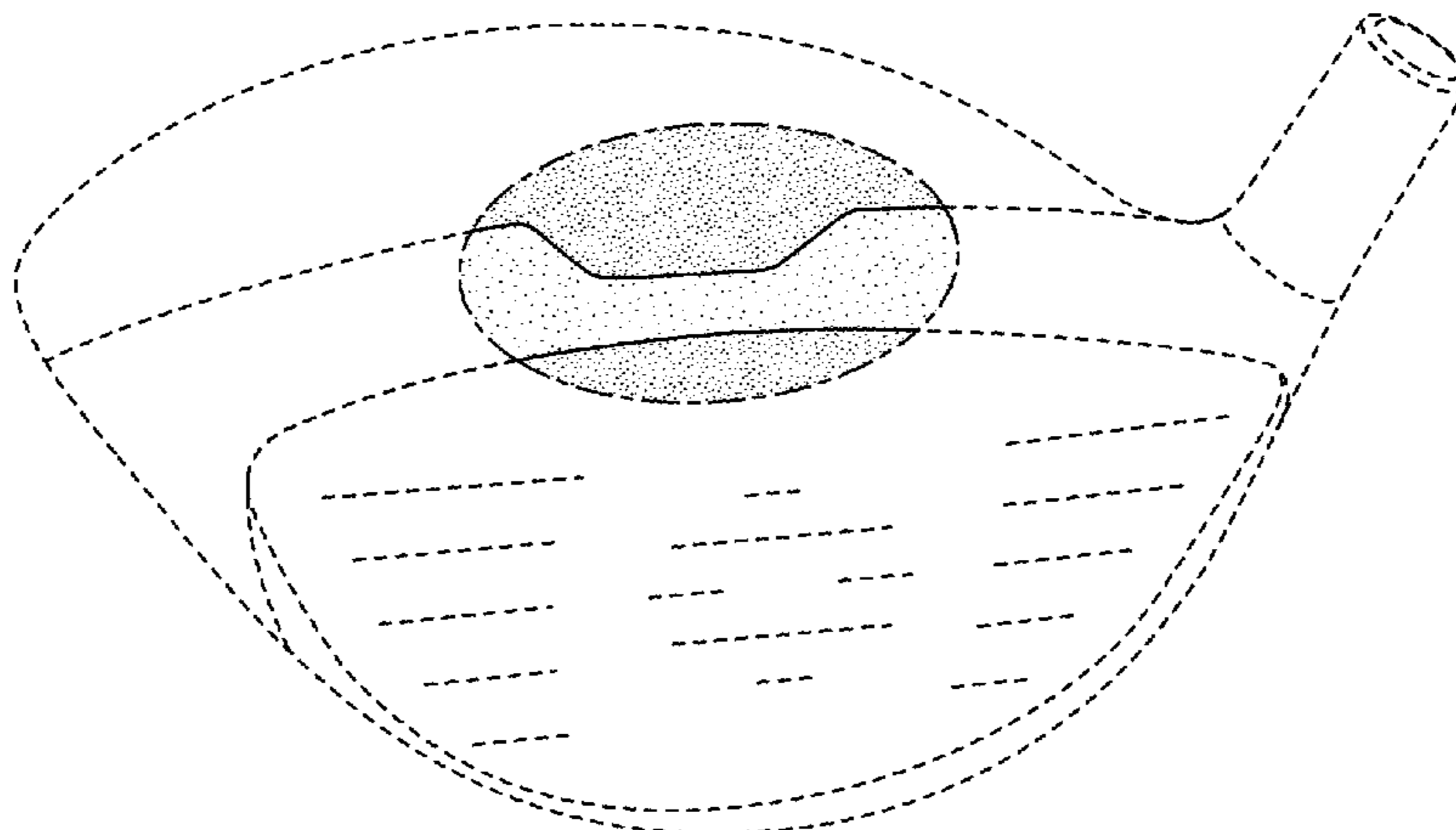
The broken line showing is included for the purpose of illustrating and forms no part of the claimed design. The dash-dot lines are included as boundary lines and form no part of the claimed design. A portion of the crown and face are stippled heavier and lighter to illustrate contrasting surfaces of different color.

(56) **References Cited**

**U.S. PATENT DOCUMENTS**

D627,408 S \* 11/2010 Lindsay ..... D21/733  
D643,079 S \* 8/2011 Lindsay ..... D21/733  
D664,222 S \* 7/2012 Lindsay ..... D21/733  
D697,152 S \* 1/2014 Harbert ..... D21/752

**1 Claim, 5 Drawing Sheets**



(56)

**References Cited**

U.S. PATENT DOCUMENTS

D709,572 S \* 7/2014 Sargent ..... D21/759  
D711,992 S \* 8/2014 Mirafior, III ..... D21/759  
D711,993 S \* 8/2014 Mirafior, III ..... D21/759  
8,821,312 B2 \* 9/2014 Burnett ..... A63B 49/06  
473/329  
8,827,831 B2 \* 9/2014 Burnett ..... A63B 49/06  
473/329  
D714,869 S \* 10/2014 Turner ..... D19/86  
8,888,607 B2 \* 11/2014 Harbert ..... A63B 53/04  
473/307  
D724,165 S \* 3/2015 Cardani ..... D21/759  
8,986,133 B2 \* 3/2015 Bennett ..... A63B 53/06  
473/329  
9,089,747 B2 \* 7/2015 Boyd ..... A63B 53/0466  
9,089,749 B2 \* 7/2015 Burnett ..... A63B 53/0466  
9,168,428 B2 \* 10/2015 Albertsen ..... A63B 53/0466  
9,220,953 B2 \* 12/2015 Beach ..... A63B 53/04  
D767,694 S \* 9/2016 Nielson ..... D21/733  
2007/0049417 A1 \* 3/2007 Shear ..... A63B 53/0466  
473/349  
2016/0059093 A1 \* 3/2016 Nielson ..... A63B 53/02  
473/338

\* cited by examiner

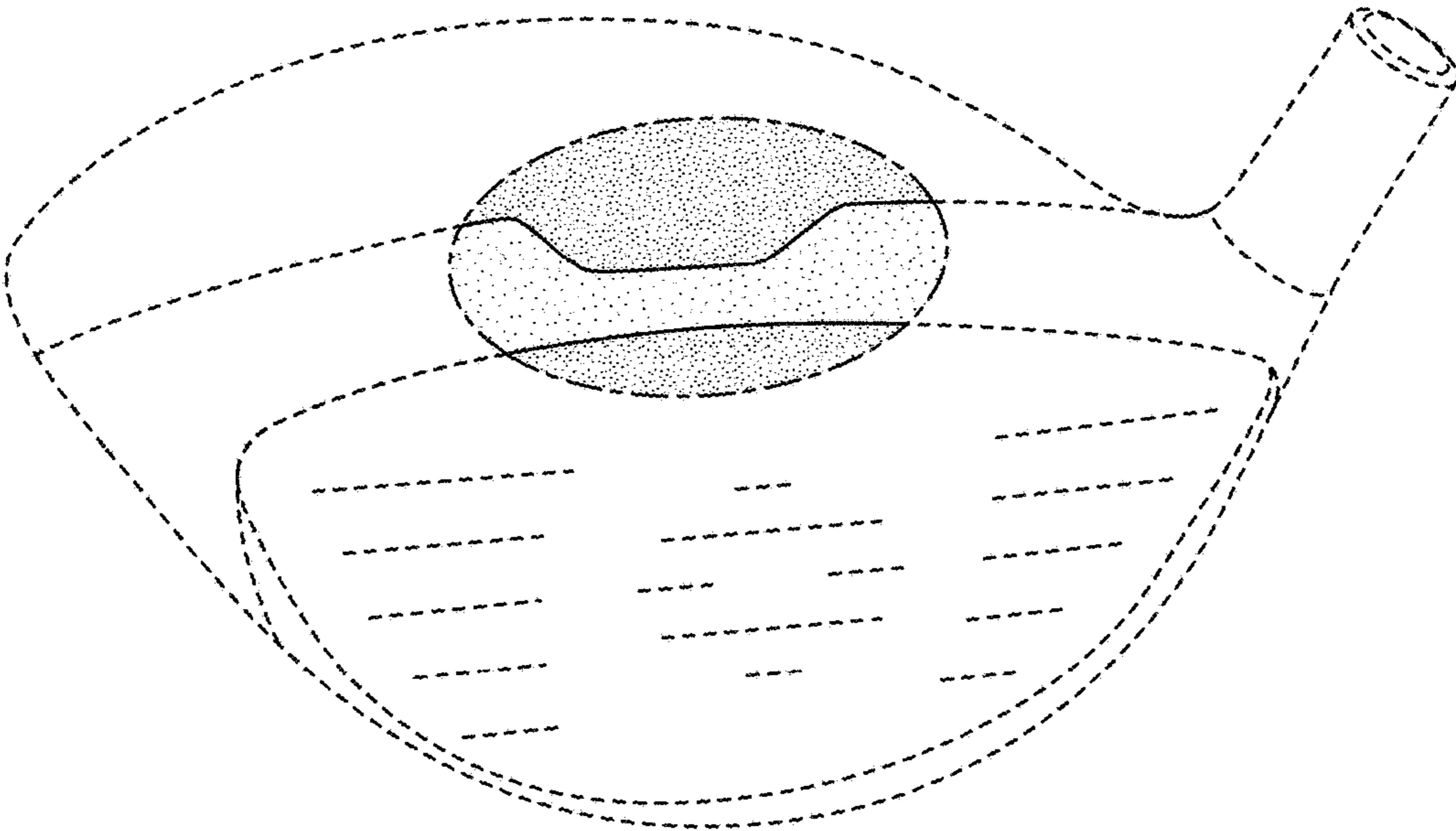


FIG. 1

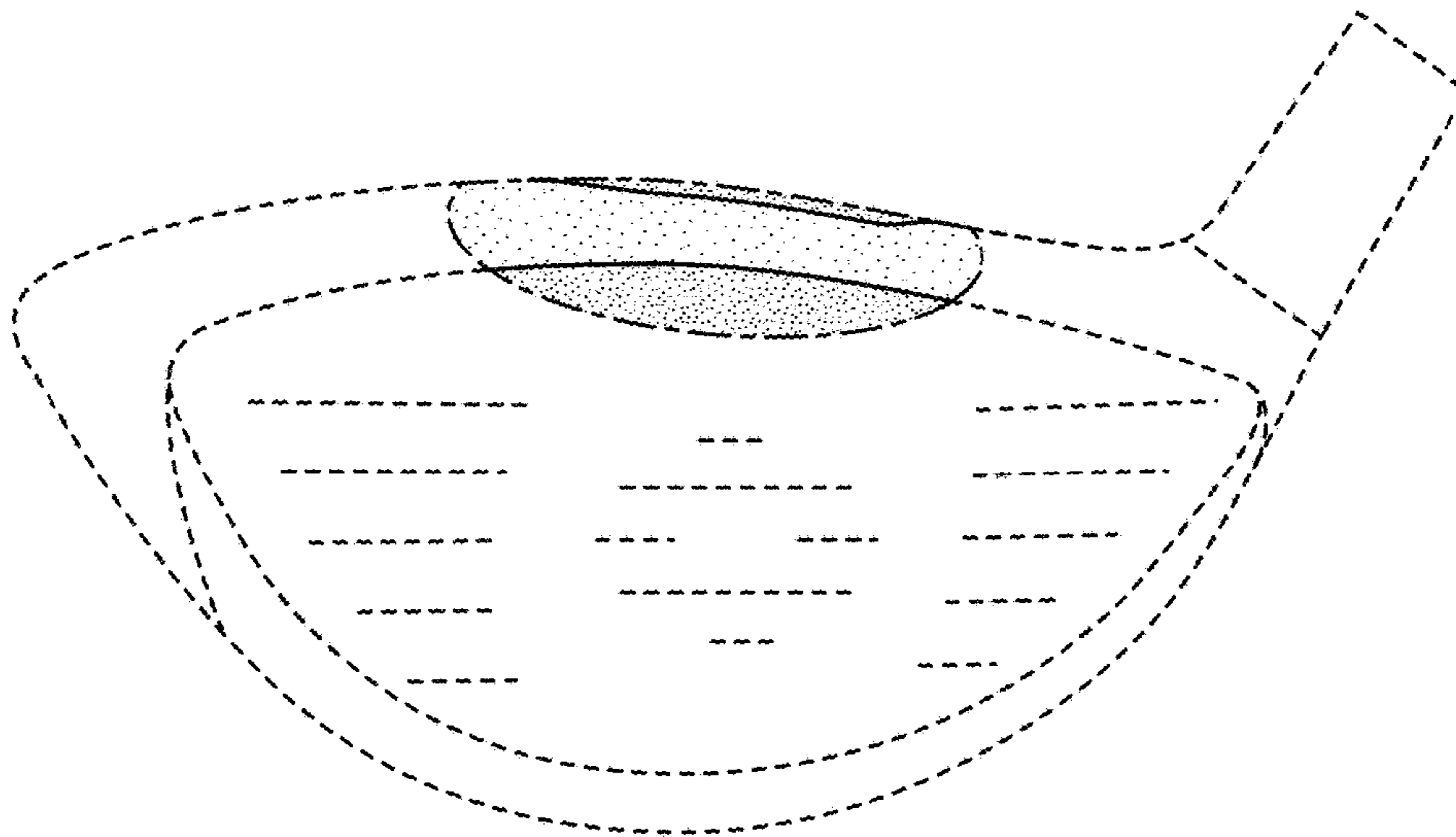


FIG. 2

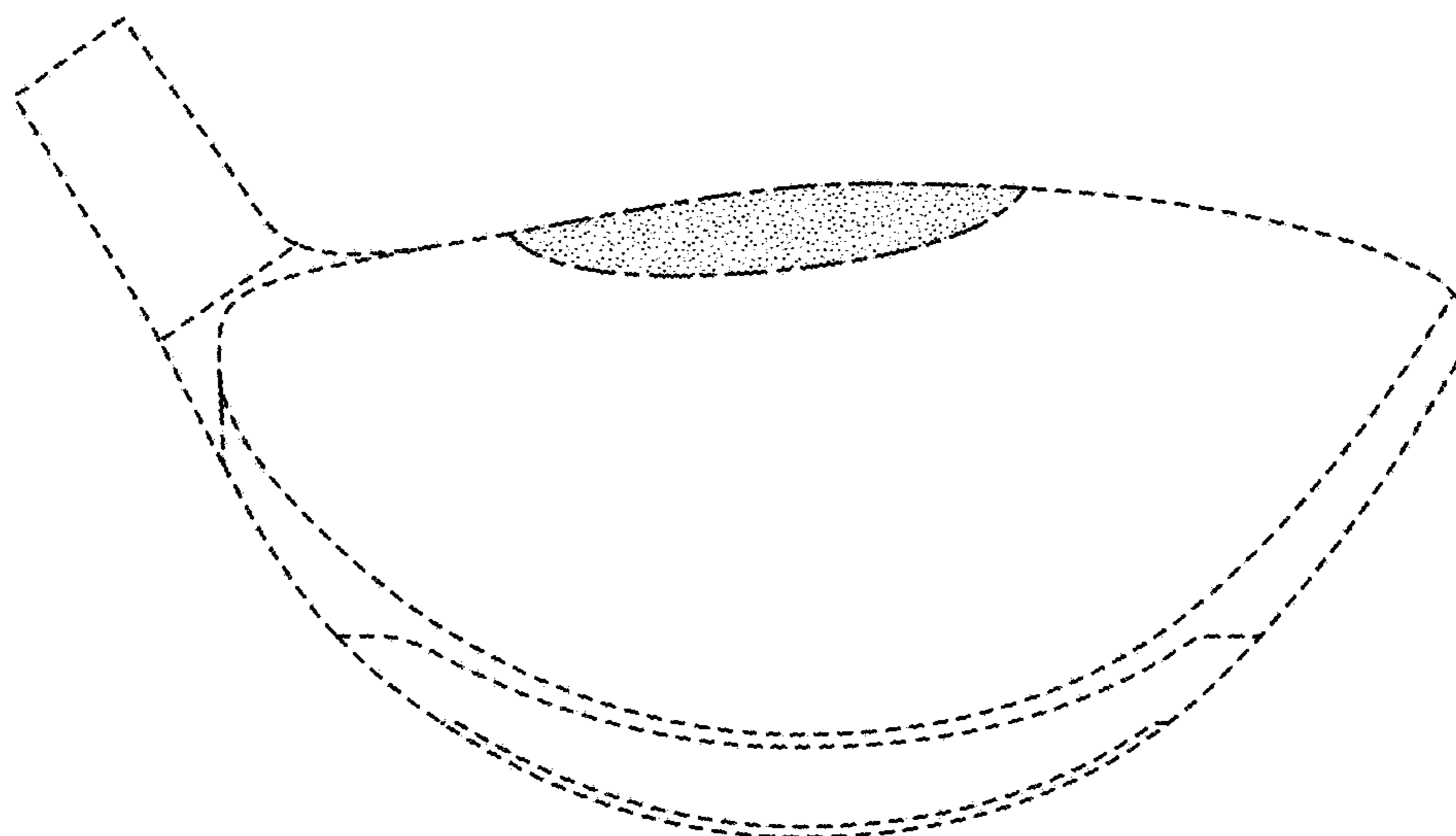


FIG. 3

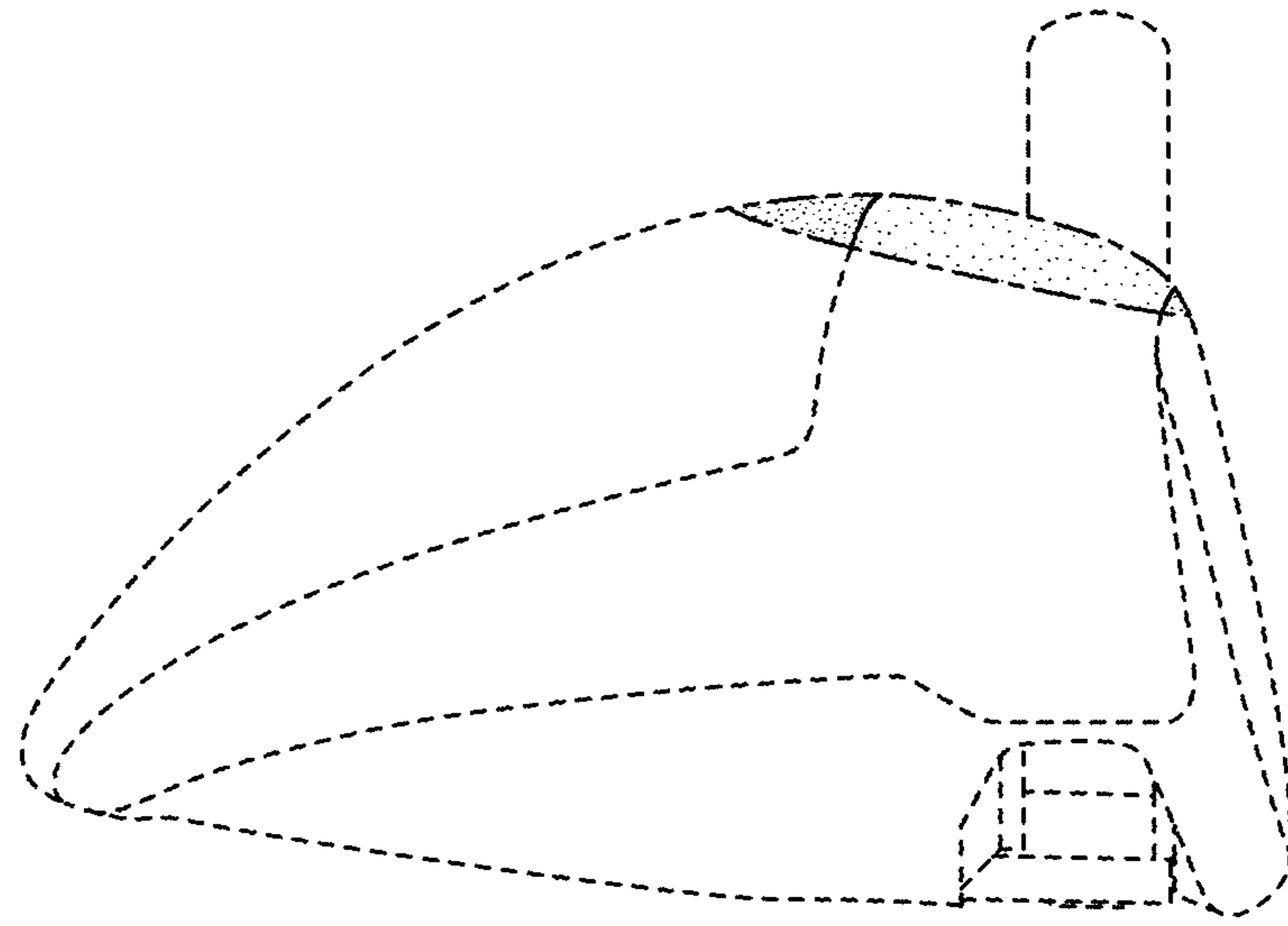


FIG. 4

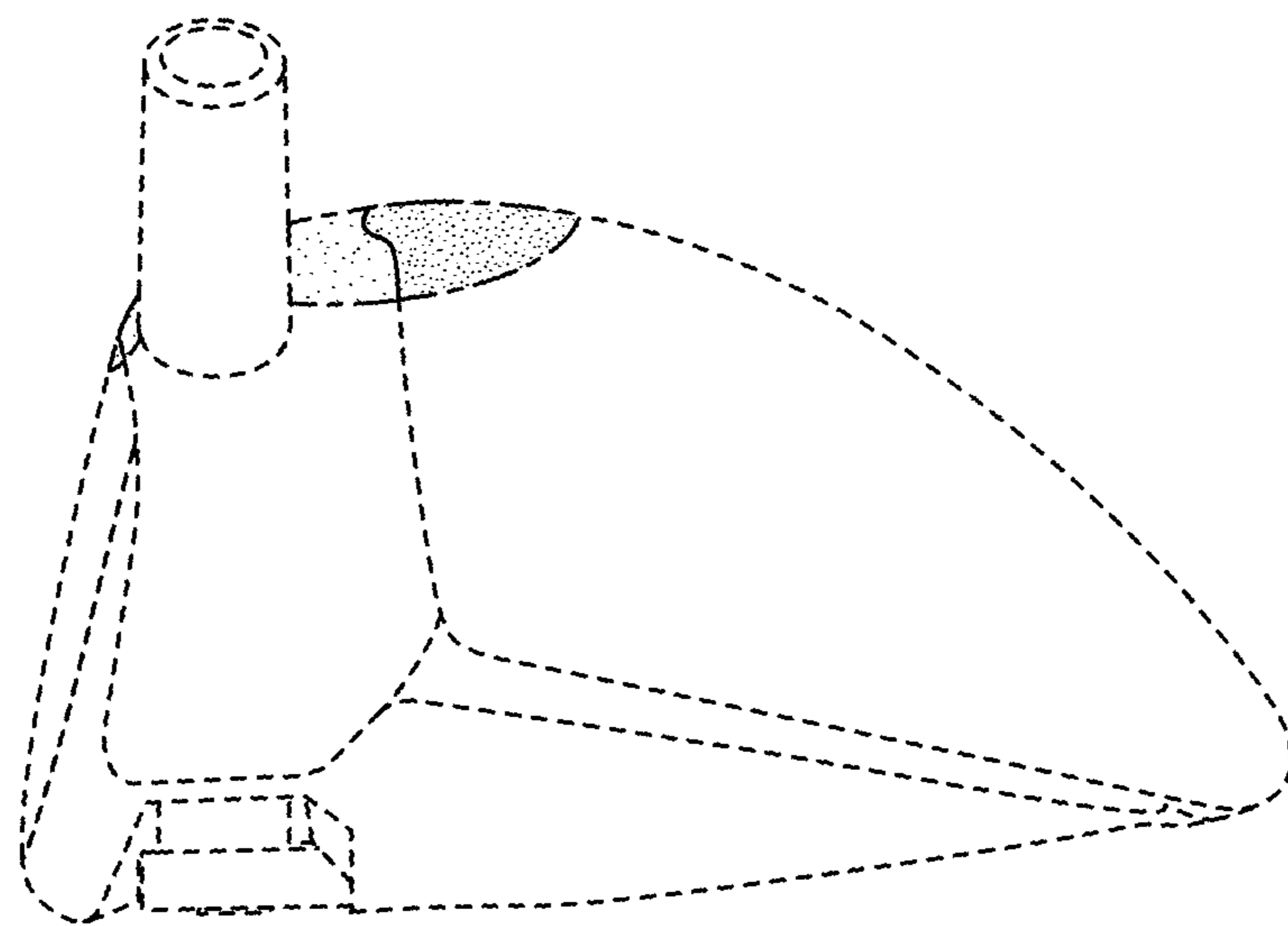


FIG. 5

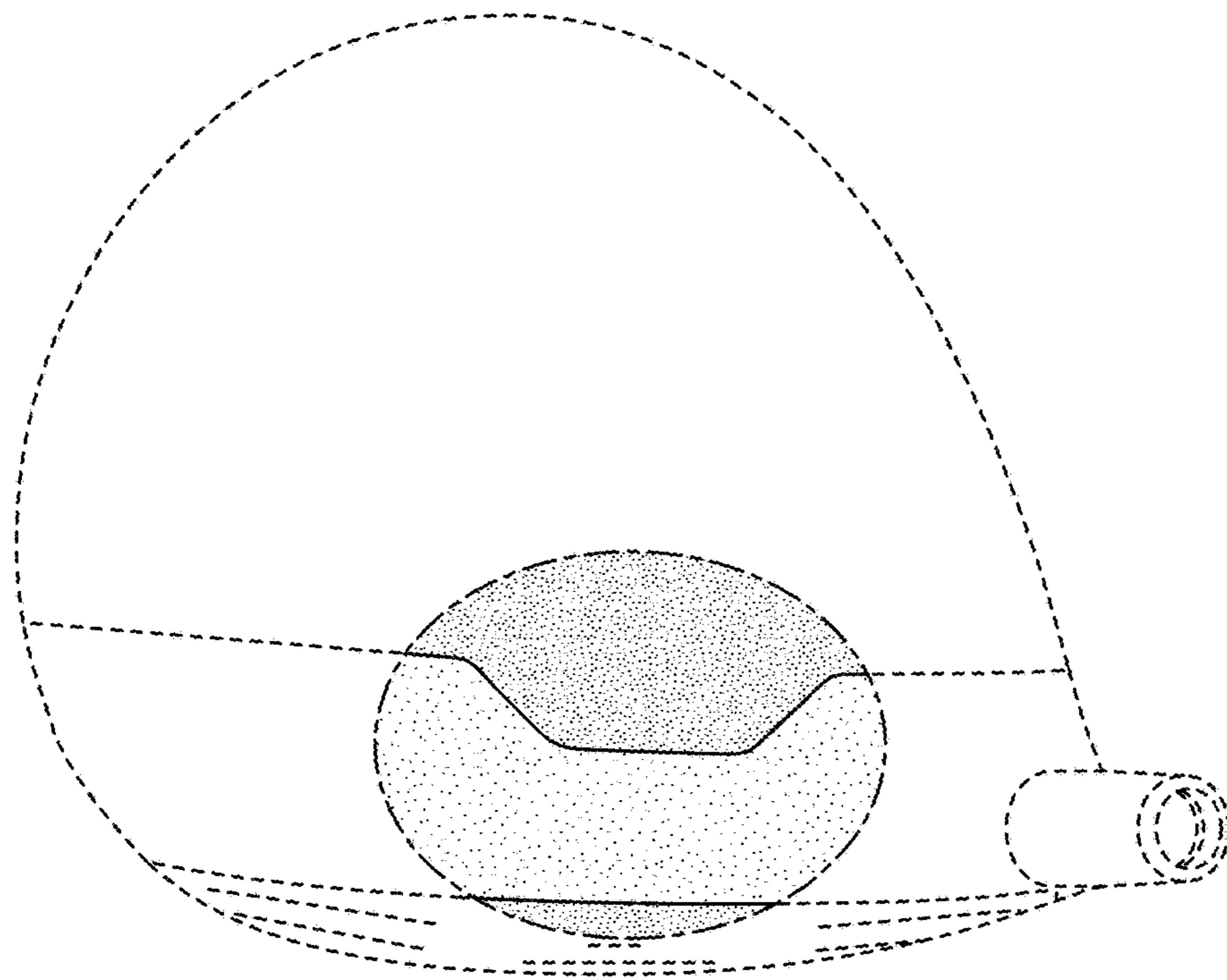


FIG. 6

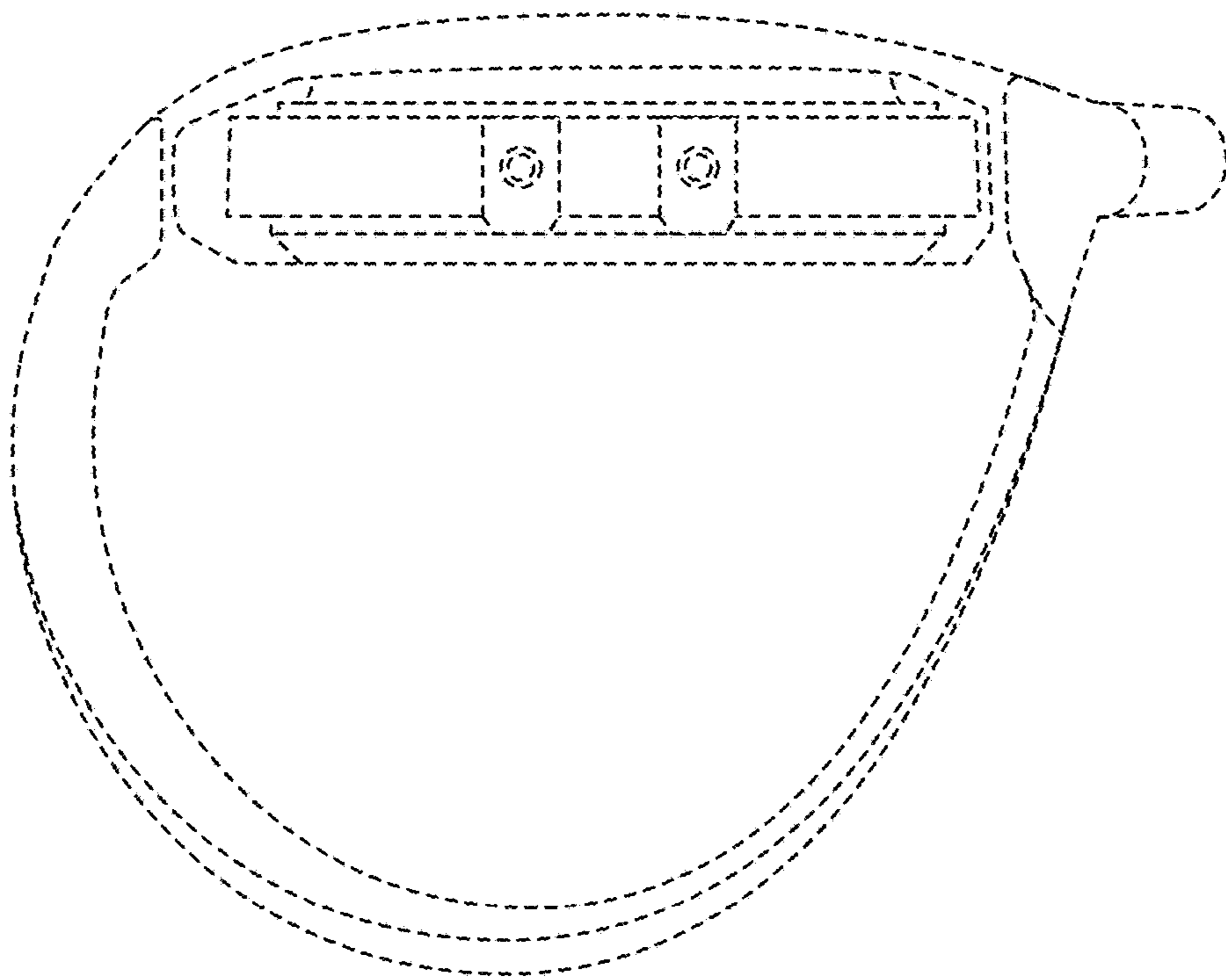


FIG. 7