



US00D791254S

(12) **United States Design Patent**  
**Ramsauer**

(10) **Patent No.:** **US D791,254 S**

(45) **Date of Patent:** **\*\* Jul. 4, 2017**

(54) **GOLF PUTTER**

(71) Applicant: **Dieter Ramsauer**, Schwelm (DE)

(72) Inventor: **Dieter Ramsauer**, Schwelm (DE)

(\*\*) Term: **15 Years**

(21) Appl. No.: **29/552,227**

(22) Filed: **Jan. 21, 2016**

(51) **LOC (10) Cl.** ..... **21-02**

(52) **U.S. Cl.**  
USPC ..... **D21/744**

(58) **Field of Classification Search**  
USPC ..... D21/736-746, 759  
CPC ..... A63B 53/00; A63B 53/04; A63B 53/007;  
A63B 53/065; A63B 53/0487  
See application file for complete search history.

(56) **References Cited**

**U.S. PATENT DOCUMENTS**

D220,274 S *	3/1971	Rango	.....	D21/739
3,708,172 A *	1/1973	Rango	.....	A63B 47/008
				473/249
D257,870 S *	1/1981	MacDougall	.....	D21/739
D402,724 S *	12/1998	Minami	.....	D21/743
D424,145 S *	5/2000	Minami	.....	D21/744
D486,540 S *	2/2004	Bettinardi	.....	D21/738
D486,541 S *	2/2004	Bettinardi	.....	D21/738
D500,539 S *	1/2005	Holloway	.....	D21/736
D507,613 S *	7/2005	Baiocchi	.....	D21/742
D521,088 S *	5/2006	Mercier	.....	D21/736
D529,109 S *	9/2006	Jones	.....	D21/743
D531,242 S *	10/2006	Adams	.....	D21/746

D542,869 S *	5/2007	Adams	.....	D21/742
D572,325 S *	7/2008	Baer	.....	D21/746
D606,140 S *	12/2009	Ramsauer	.....	D21/743
D606,141 S *	12/2009	Ramsauer	.....	D21/743
D606,142 S *	12/2009	Ramsauer	.....	D21/743
D643,894 S *	8/2011	Price	.....	D21/744

\* cited by examiner

*Primary Examiner* — Mitchell Siegel

(74) *Attorney, Agent, or Firm* — Haug Partners LLP

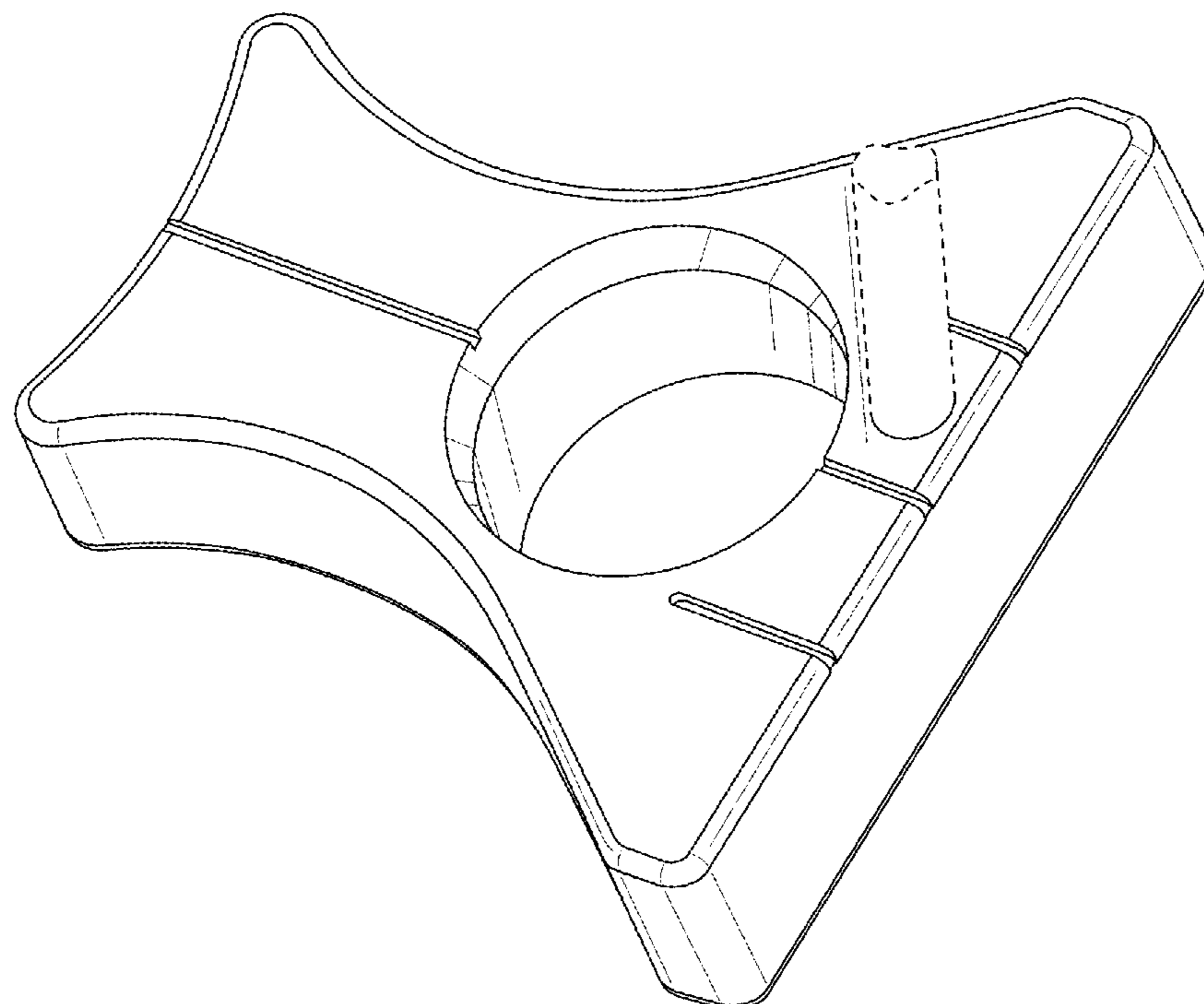
(57) **CLAIM**

The ornamental design for a golf putter, as shown and described.

**DESCRIPTION**

FIG. 1 is a top plan view of the golf putter in accordance with an embodiment of the invention.  
 FIG. 2 is a bottom plan view of the golf putter in accordance with an embodiment of the invention.  
 FIG. 3 is a side view of the golf putter in accordance with an embodiment of the invention; the opposite unshown side being a mirror image thereof.  
 FIG. 4 is a front view of the golf putter in accordance with an embodiment of the invention  
 FIG. 5 is a rear view of the golf putter, which is curved inwardly (concave), in accordance with an embodiment of the invention.  
 FIG. 6 is a top perspective view of the golf putter in accordance with an embodiment of the invention; and,  
 FIG. 7 is a cross-sectional view along the section line 7-7 of FIG. 2 of the golf putter in accordance with an embodiment of the invention.

**1 Claim, 7 Drawing Sheets**



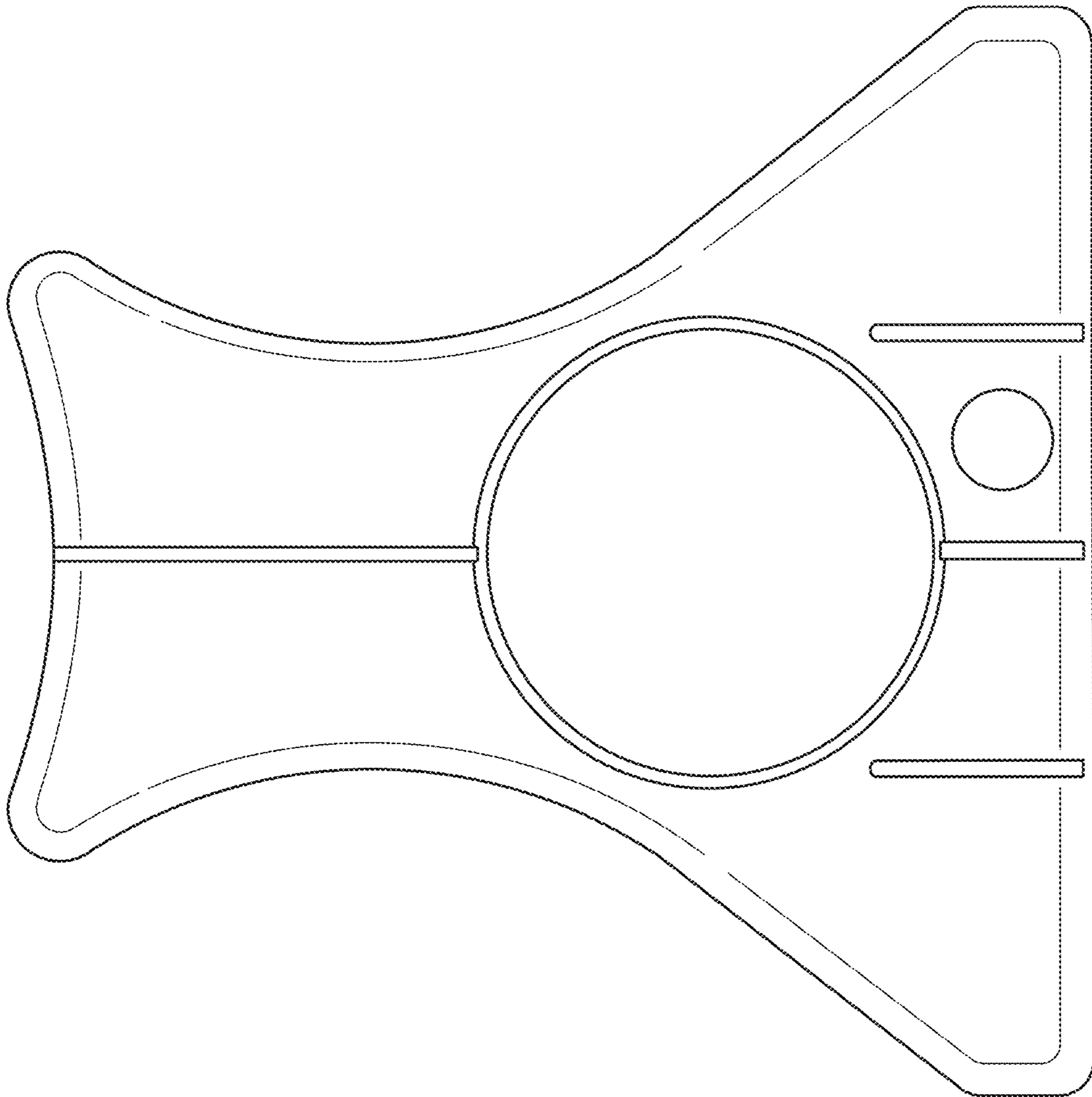


Fig. 1

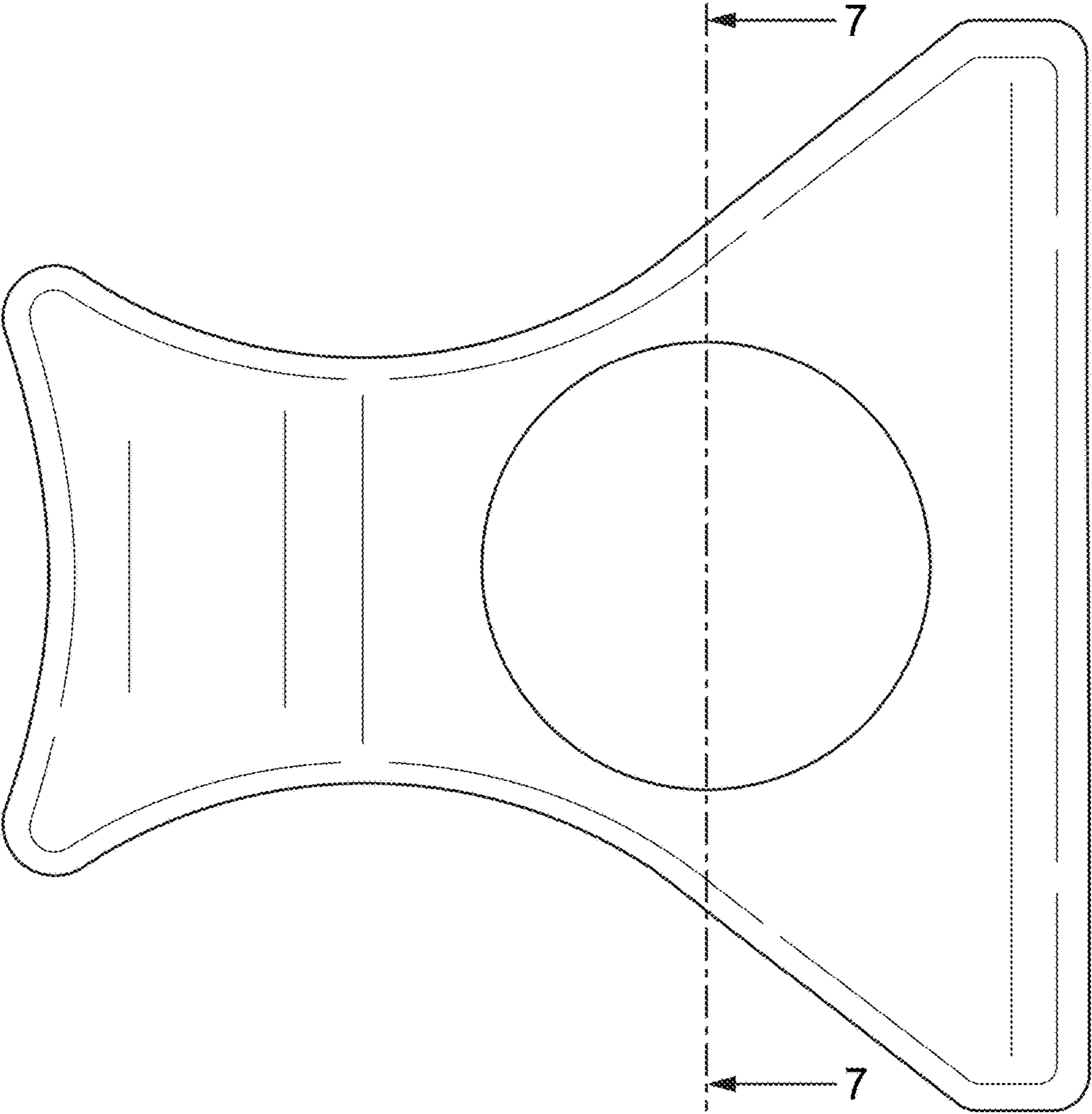


Fig. 2

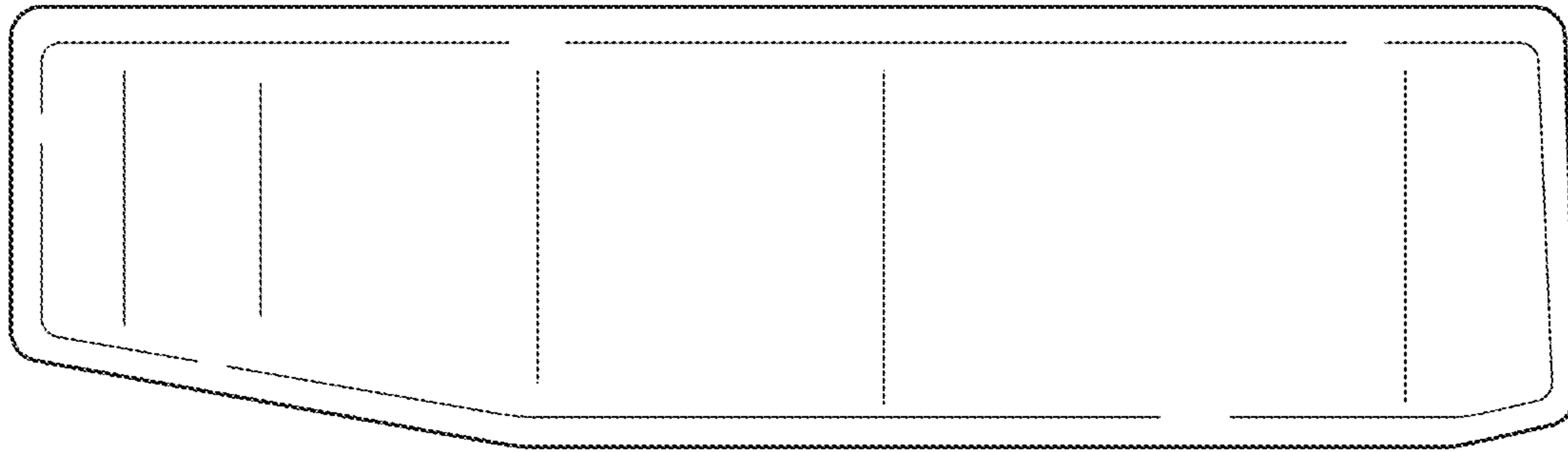


FIG. 3

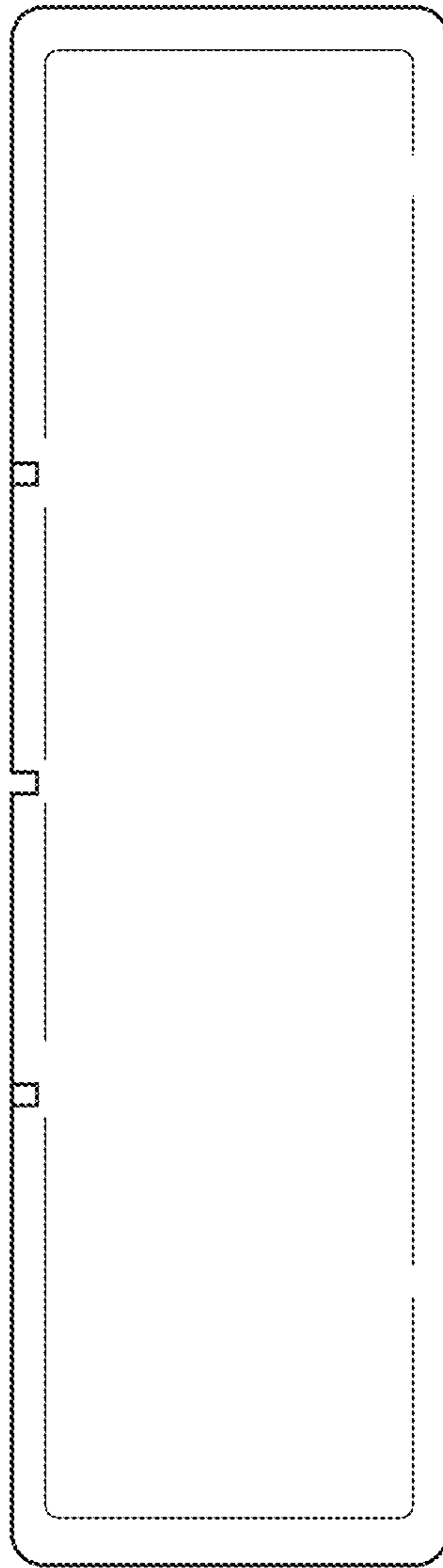


FIG. 4

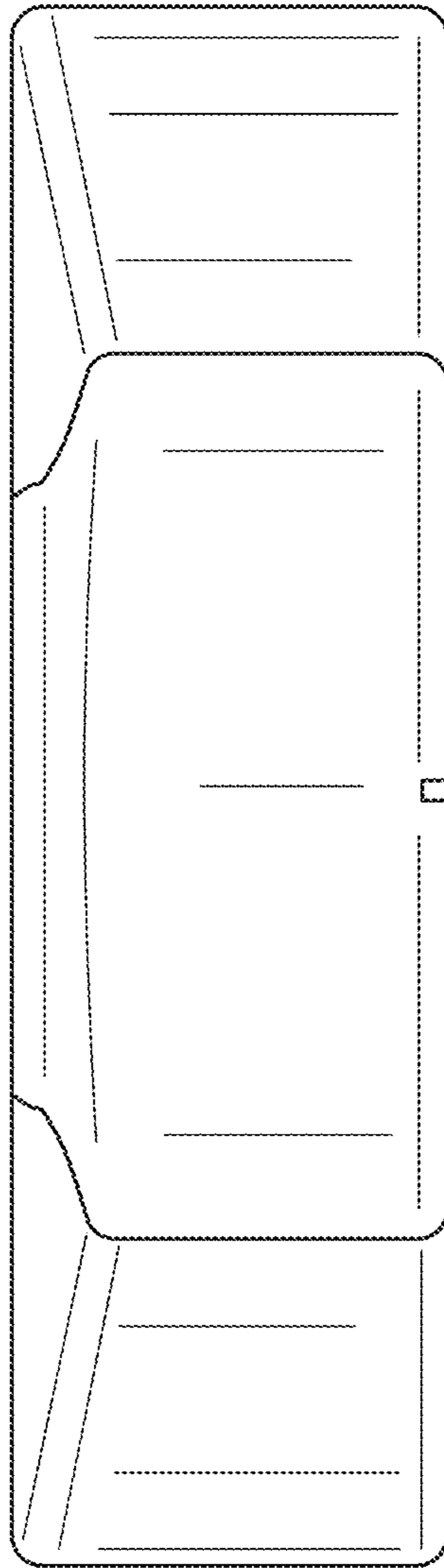


FIG. 5

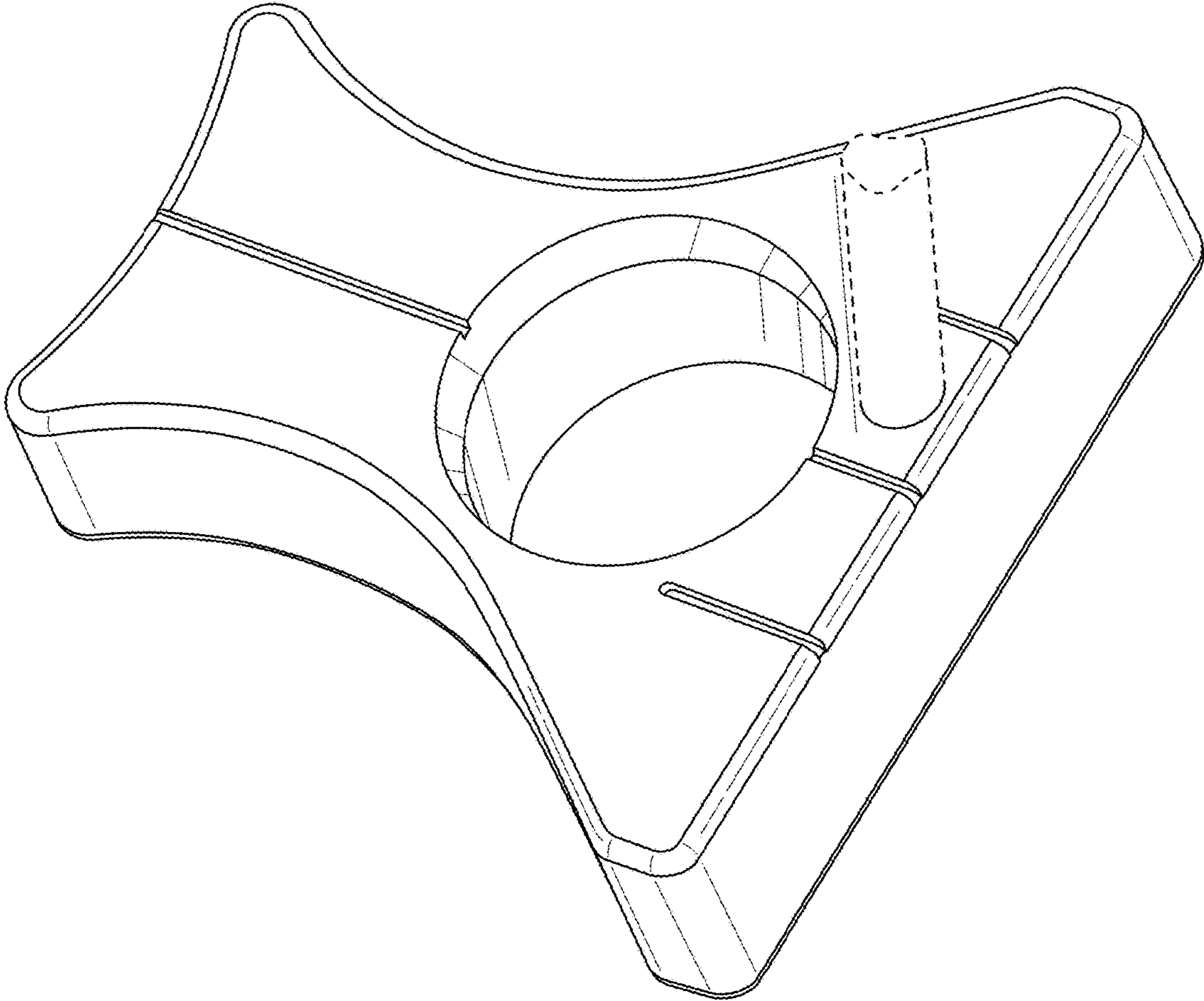


Fig. 6

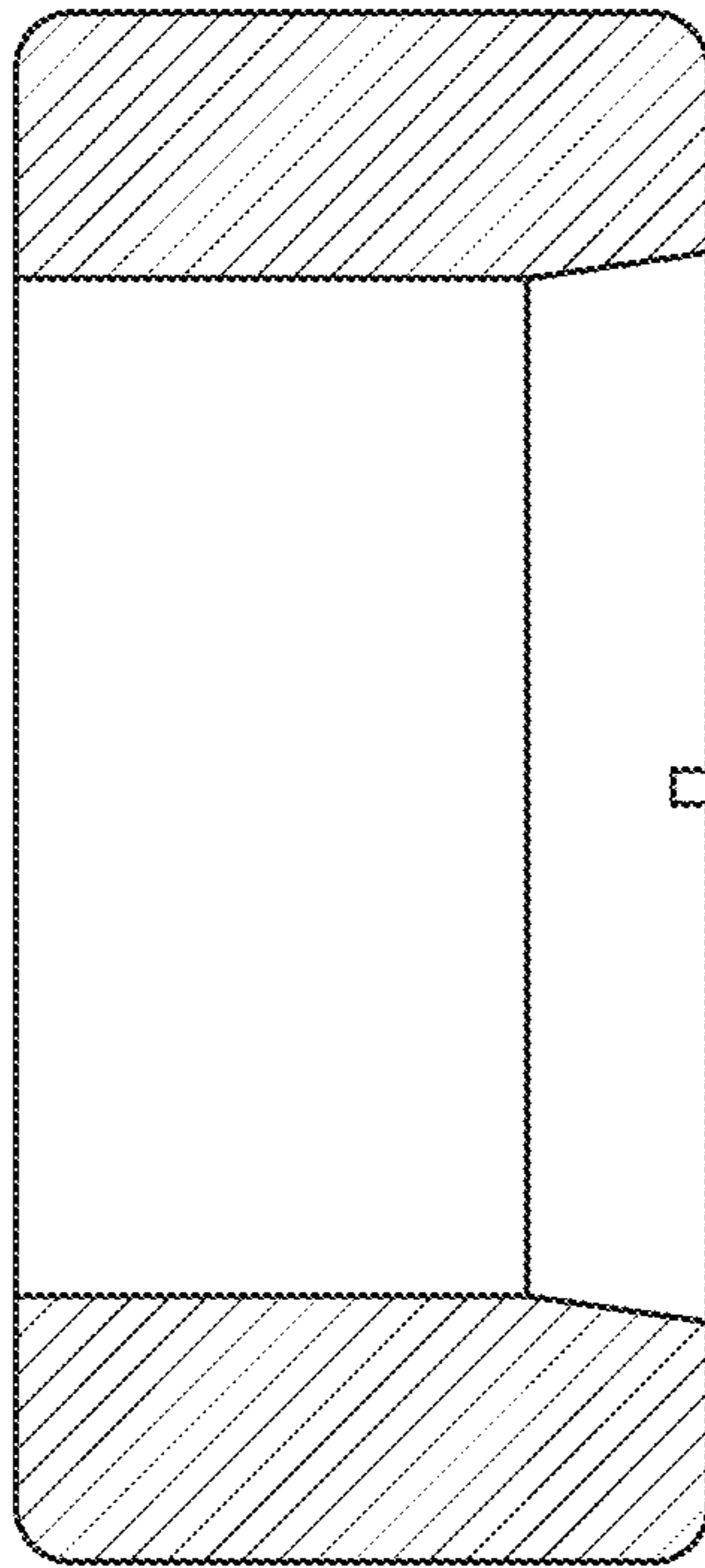


FIG. 7