



US00D791253S

(12) **United States Design Patent** (10) **Patent No.:** **US D791,253 S**
Attalah (45) **Date of Patent:** **** Jul. 4, 2017**

(54) **ABDOMINAL EXERCISE MACHINE**

(71) Applicant: **Omar Attalah**, Los Angeles, CA (US)

(72) Inventor: **Omar Attalah**, Los Angeles, CA (US)

(**) Term: **15 Years**

(21) Appl. No.: **29/528,013**

(22) Filed: **May 24, 2015**

Related U.S. Application Data

(63) Continuation-in-part of application No. 14/183,657, filed on Feb. 19, 2014, now Pat. No. 9,480,872.

(51) **LOC (10) Cl.** **21-02**

(52) **U.S. Cl.**
USPC **D21/692**

(58) **Field of Classification Search**

USPC D21/664, 673, 688, 662, 699, 705, 668, D21/769, 690, 788, 698, 534, 669, 302, D21/691, 681, 682, 800, 694, 686, 702, D21/676; 482/122, 142, 123, 129, 128, 482/93, 106, 74, 121, 130, 71, 72, 95, 96, 482/68, 66, 41, 141, 100, 115, 49, 146, 482/147, 42, 51, 35, 38, 23, 904, 91, 28, 482/140, 907, 86, 83, 87, 90, 131, 902, 482/61, 65, 17, 52, 62, 107, 108, 54, 105, 482/133, 148, 92, 138; 473/432, 445, 473/441, 197, 434, 438, 454, 478, 447, 473/422, 476; D12/317, 9, 6, 8, 130, D12/115; 273/400, 407, 396
CPC A63B 23/0211; A63B 2210/50; A63B 63/004; A63B 21/4047; A63B 2208/0233; A63B 21/068; F41J 1/10; Y10S 482/907
See application file for complete search history.

(56) **References Cited**

U.S. PATENT DOCUMENTS

D379,835 S * 6/1997 Chen D21/686
5,759,138 A * 6/1998 Boland A63B 23/0211
482/122

D413,948 S * 9/1999 Dalebout D21/662
D420,070 S * 2/2000 Zarillo D21/687
D463,837 S * 10/2002 Tuller D21/662
7,674,209 B2 * 3/2010 Greene A63B 21/00185
482/121
D668,305 S * 10/2012 Wu D21/692
D668,727 S * 10/2012 Ho D21/662
D678,435 S * 3/2013 Parsons D21/662
D682,375 S * 5/2013 Wu D21/662
2014/0249004 A1 * 9/2014 Attalah A63B 21/05
482/122

OTHER PUBLICATIONS

Abxcore by Next Generation Fitness posted it dated Jul. 13, 2014. Found online [Jul. 22, 2016] <https://www.kickstarter.com/projects/abxcore/abxcore-next-generation-abdominal-workout/comments>.*

* cited by examiner

Primary Examiner — Robert M Spear
Assistant Examiner — Ryan Harvey
(74) *Attorney, Agent, or Firm* — Kafantaris Law Offices;
Theo Kafantaris

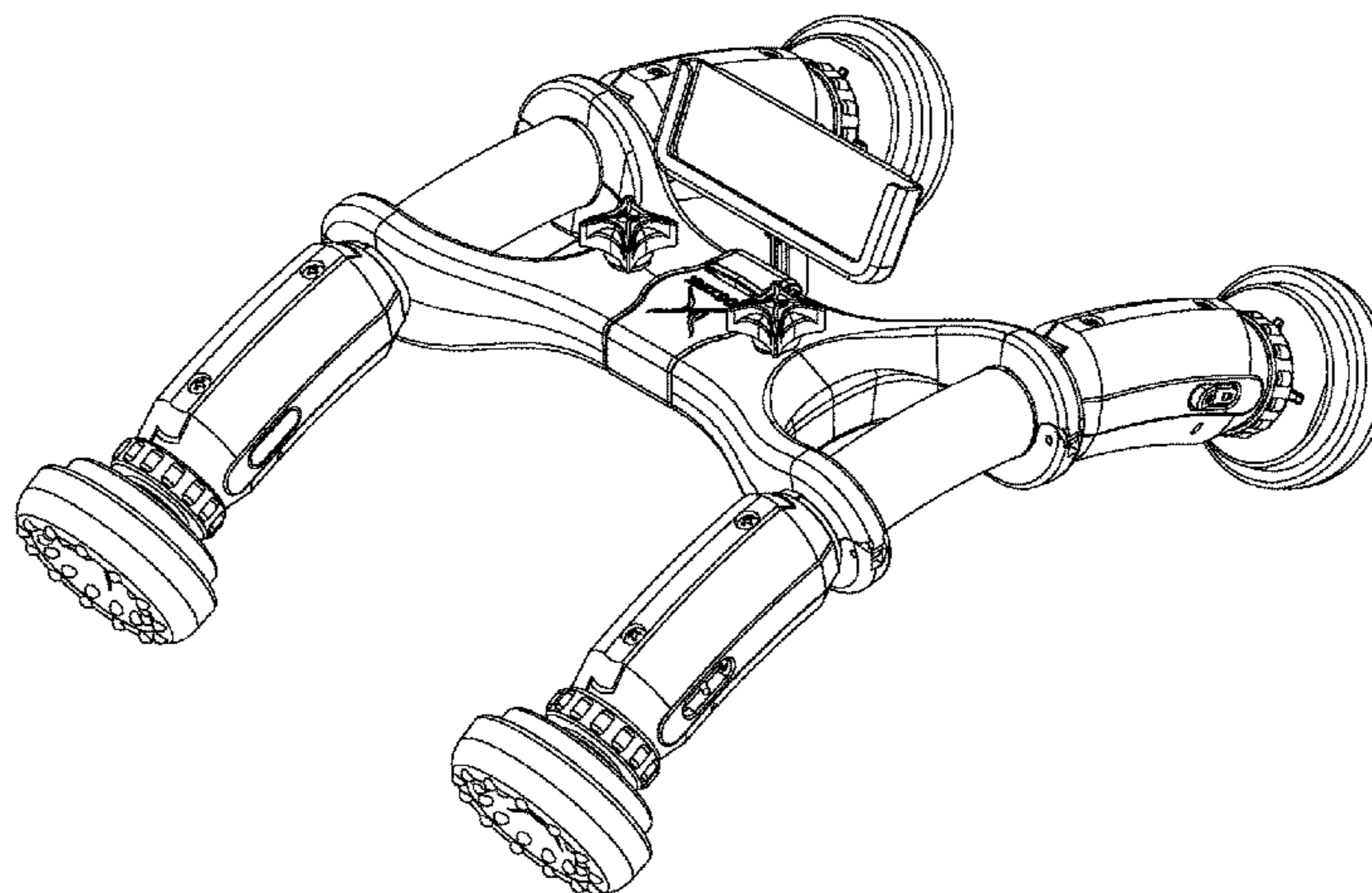
(57) **CLAIM**

The ornamental design for an abdominal exercise machine, as shown and described.

DESCRIPTION

FIG. 1 is a front perspective view of the abdominal exercise machine showing my new design;
FIG. 2 is a rear perspective view thereof;
FIG. 3 is a top plan view thereof;
FIG. 4 is a bottom plan view thereof;
FIG. 5 is a front elevation view thereof;
FIG. 6 is a rear elevation view thereof; and,
FIG. 7 is a side elevation view thereof.

1 Claim, 7 Drawing Sheets



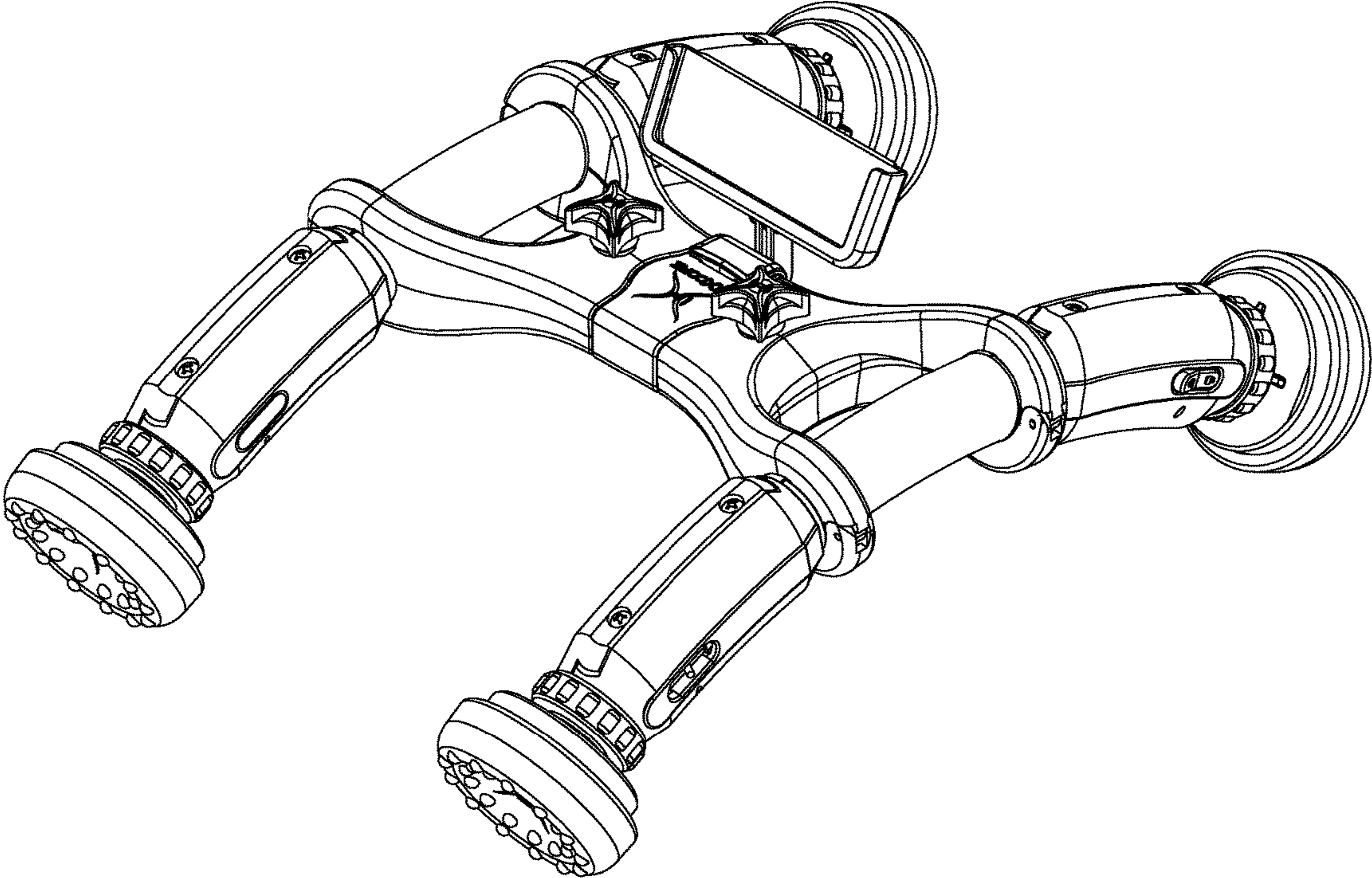


FIG. 1

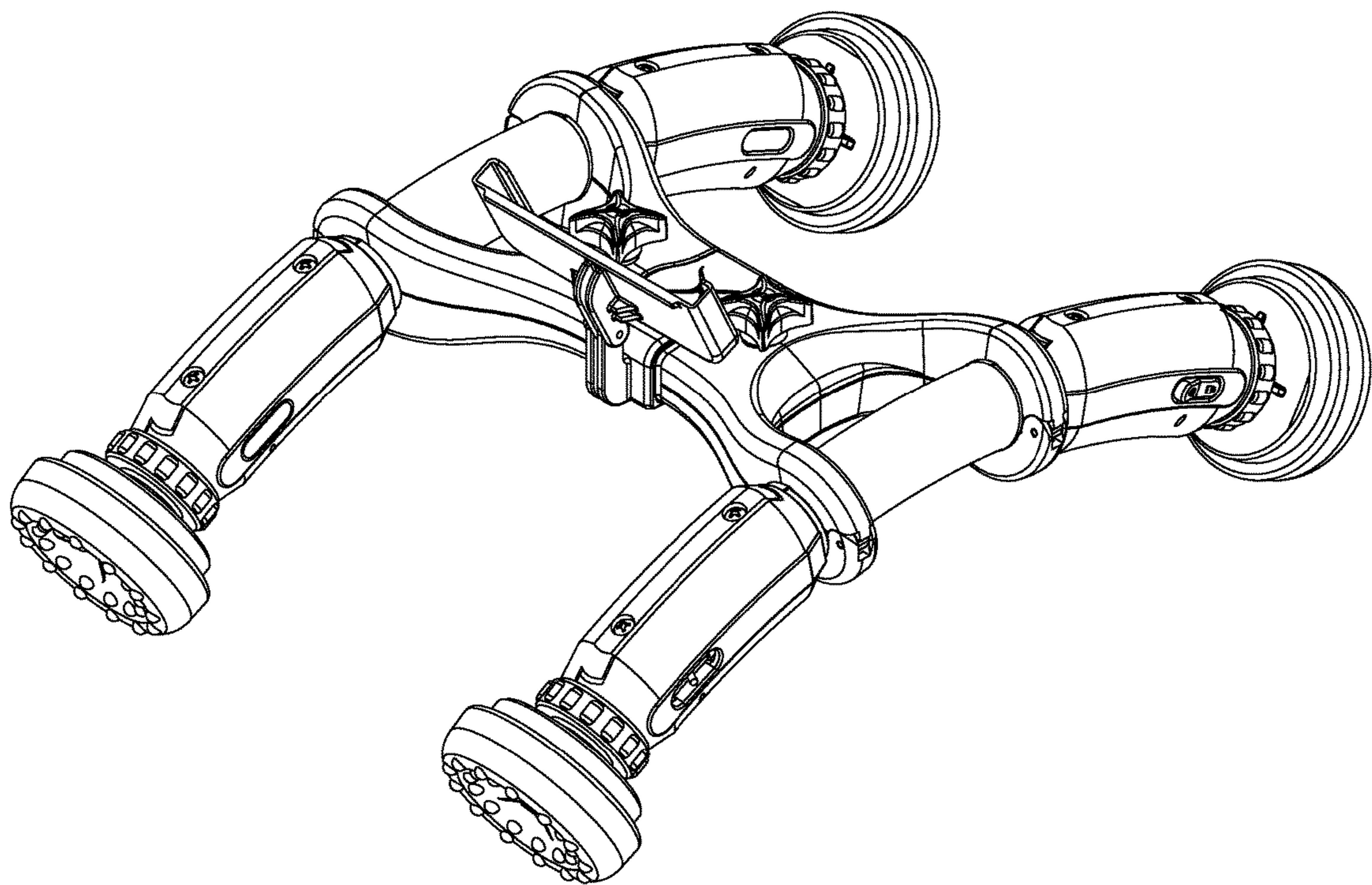


FIG. 2

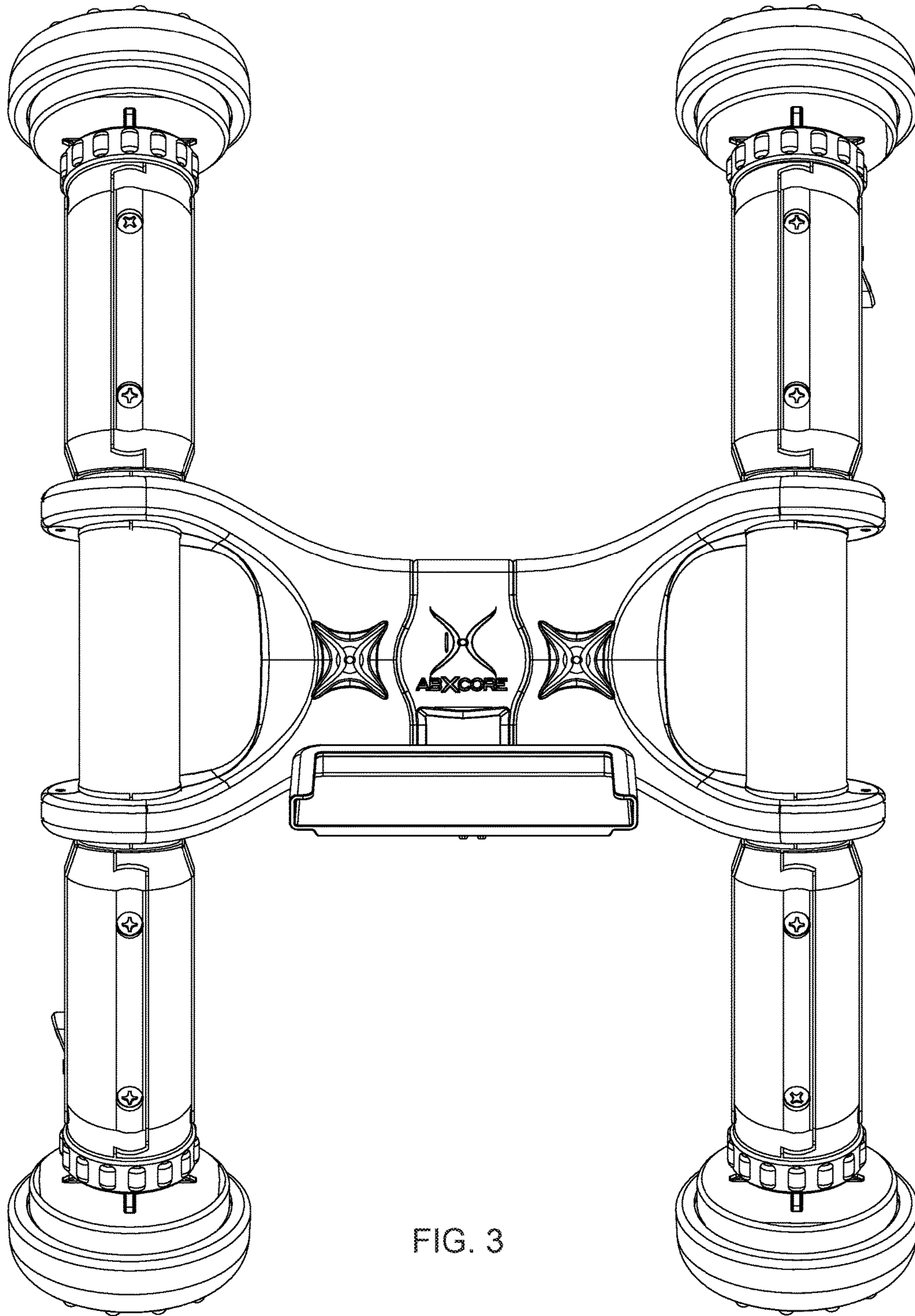


FIG. 3

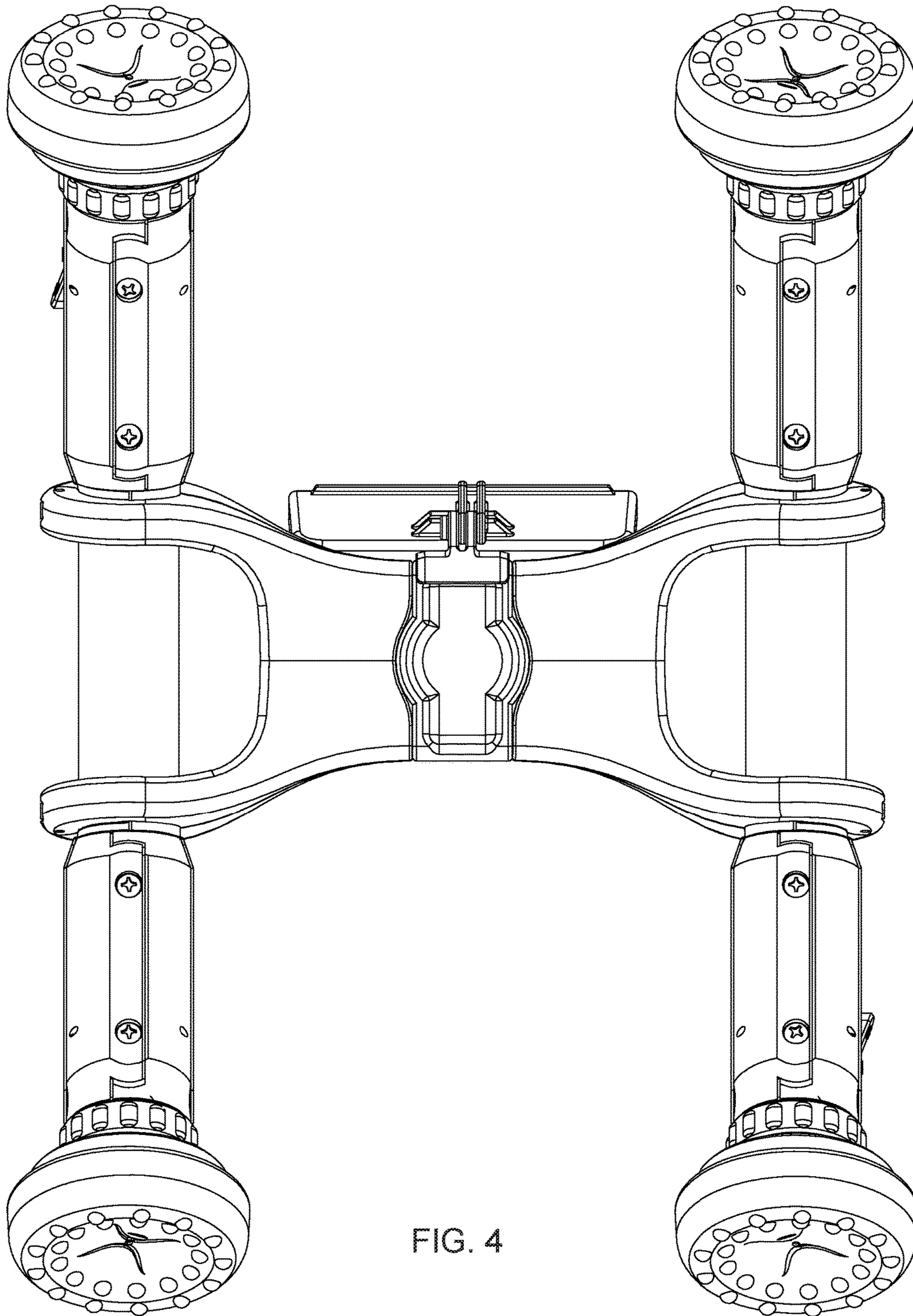


FIG. 4

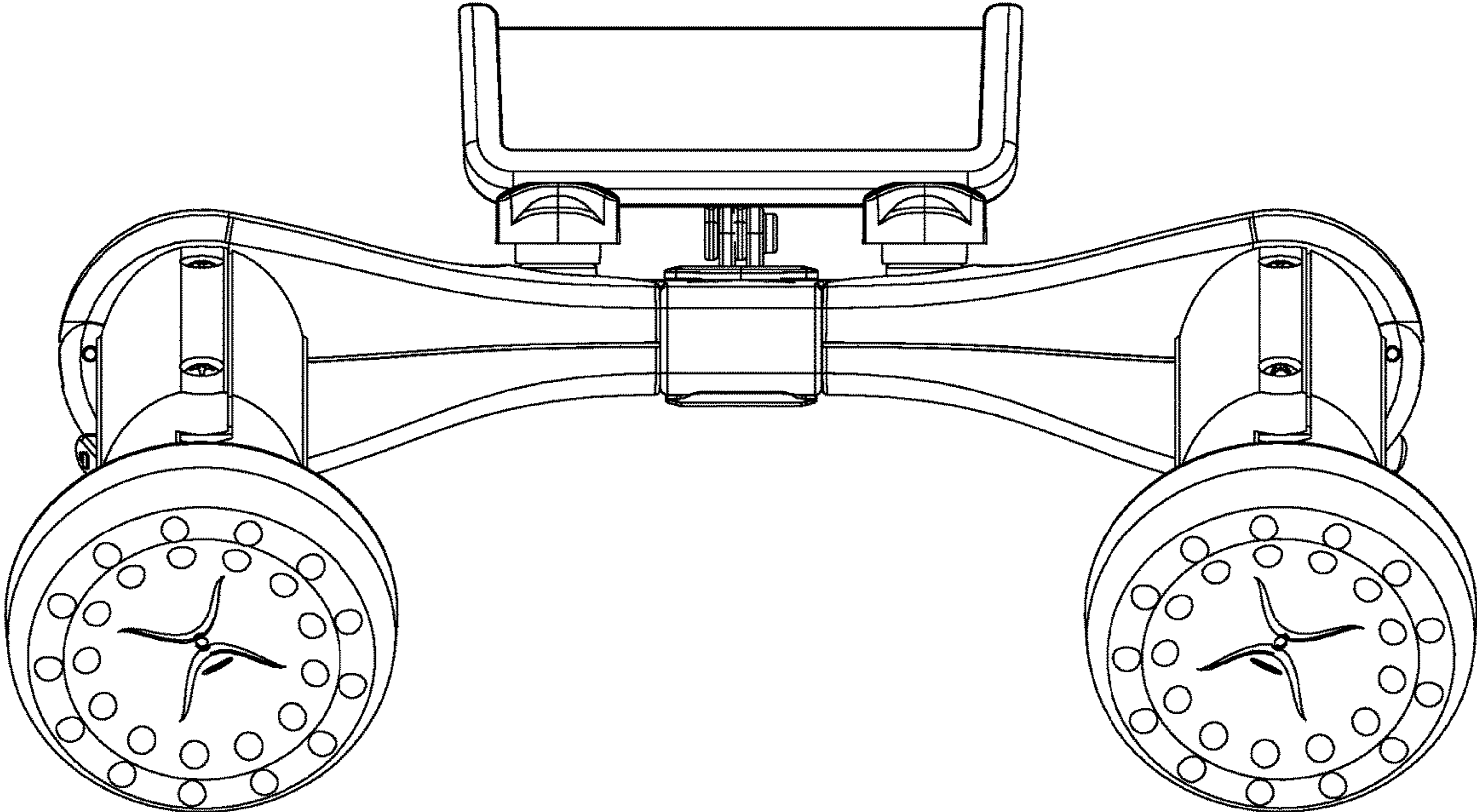


FIG. 5

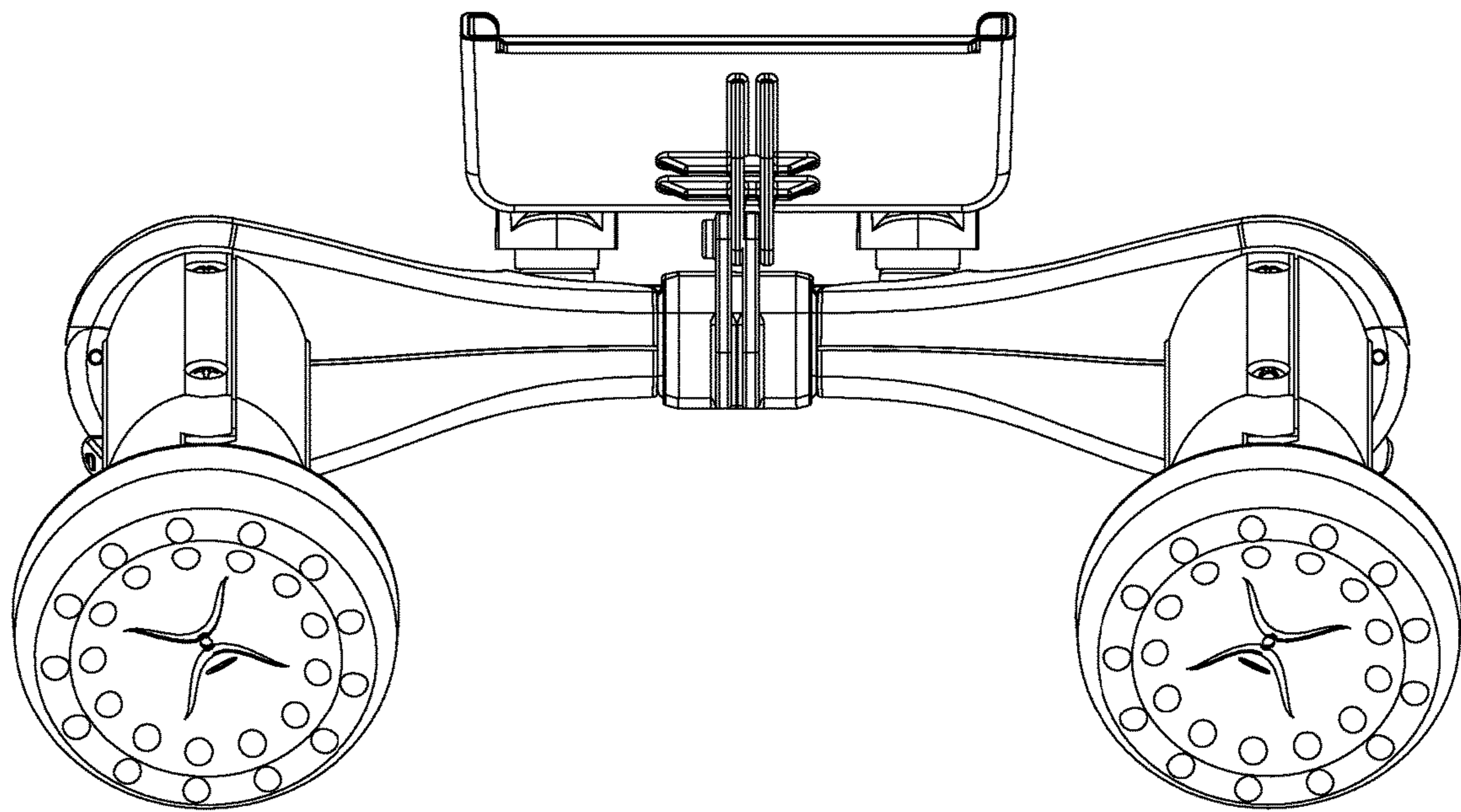


FIG. 6

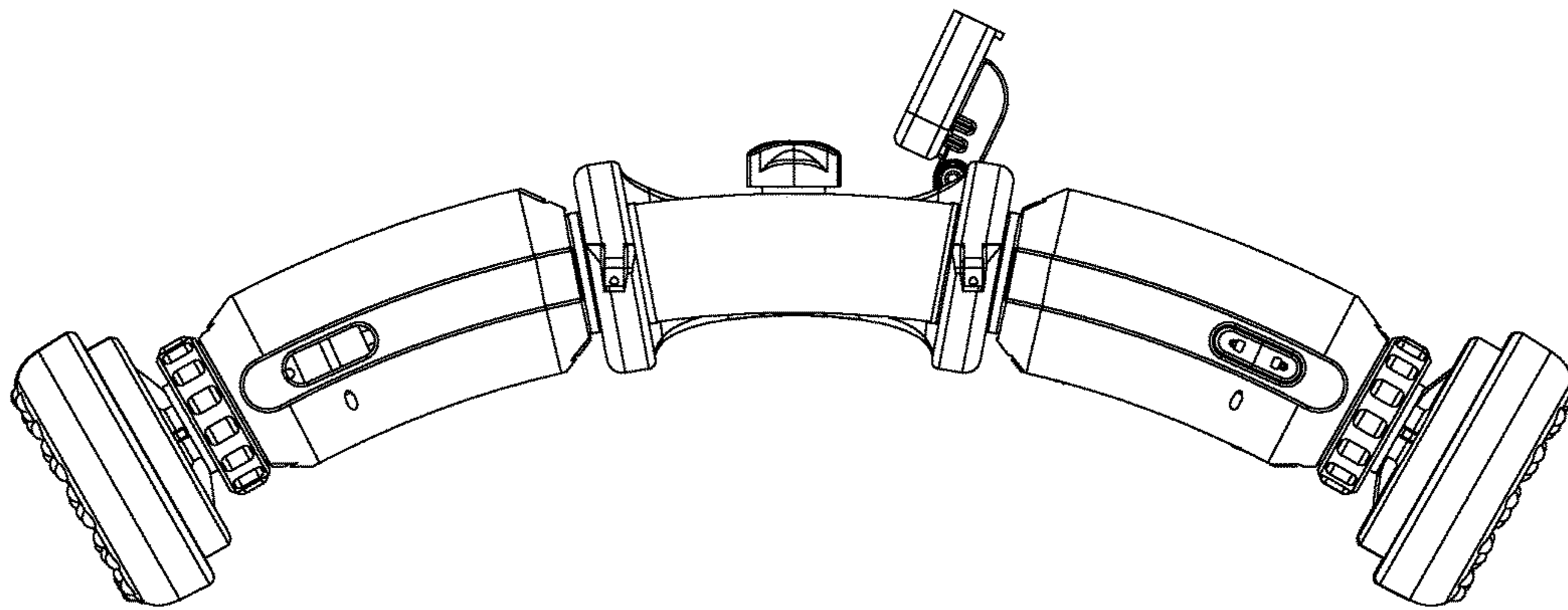


FIG. 7