



US00D791251S

(12) **United States Design Patent**
Kerdjoudj

(10) **Patent No.:** **US D791,251 S**

(45) **Date of Patent:** **** Jul. 4, 2017**

(54) **PORTABLE FITNESS TRAINER**
(71) Applicant: **Mohamed Kerdjoudj**, Aurora, IL (US)
(72) Inventor: **Mohamed Kerdjoudj**, Aurora, IL (US)
(73) Assignee: **Mohamed Kerdjoudj**, Aurora, IL (US)
(**) Term: **15 Years**

7,125,367 B1 * 10/2006 Stearns A63B 22/203
482/141
7,134,987 B2 * 11/2006 Goldstein A63B 23/1209
482/141
D546,403 S * 7/2007 Schaefer D21/662
D622,787 S * 8/2010 Masterson D21/668
D626,186 S * 10/2010 Tsai D21/668
D689,569 S * 9/2013 Kerdjoudj D21/668
D719,223 S * 12/2014 Tang D21/662
2002/0082146 A1 * 6/2002 Stearns A63B 22/203
482/54

(21) Appl. No.: **29/553,451**
(22) Filed: **Feb. 1, 2016**
(51) **LOC (10) Cl.** **21-02**
(52) **U.S. Cl.**
USPC **D21/662; D21/668**
(58) **Field of Classification Search**
USPC D21/662-664, 666-670, 674, 686-688
CPC A63B 23/00; A63B 23/12; A63B 23/1209;
A63B 22/03; A63B 21/00; A63B 24/00
See application file for complete search history.

* cited by examiner

Primary Examiner — Caron D Veynar
Assistant Examiner — Mehri Bajoul

(56) **References Cited**
U.S. PATENT DOCUMENTS
D225,343 S * 12/1972 Flick et al. D21/668
D303,131 S * 8/1989 Lo D21/668
D315,764 S * 3/1991 Friedebach D21/668
D328,934 S * 8/1992 Friedebach D21/668
D335,512 S * 5/1993 Gvoich D21/662
D340,095 S * 10/1993 Friedebach D21/668
6,186,930 B1 * 2/2001 Ignaczak A63B 23/12
482/141
D499,456 S * 12/2004 Hsu D21/668

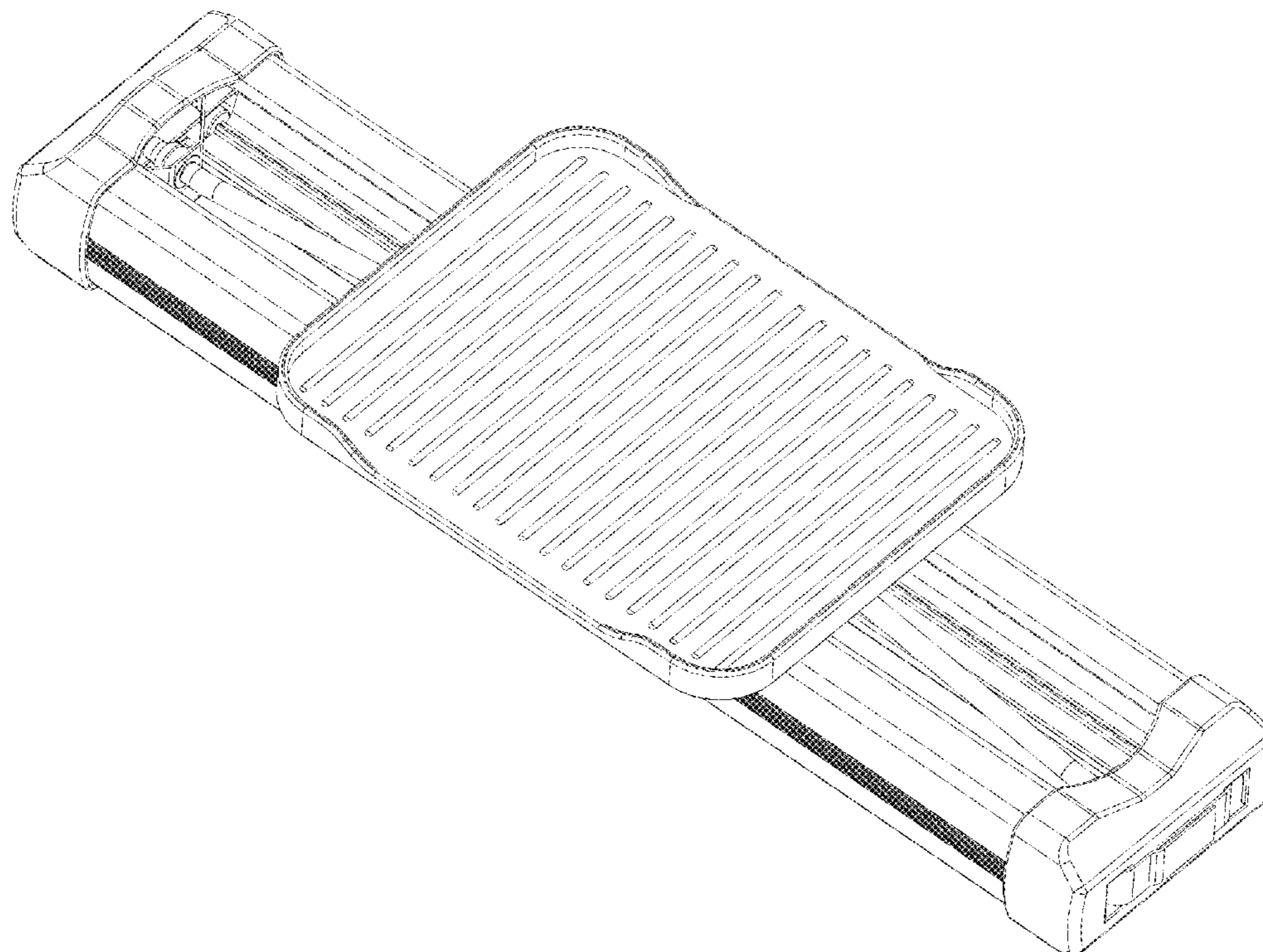
(57) **CLAIM**

The ornamental design for a portable fitness trainer, as shown and described.

DESCRIPTION

FIG. 1 is an isometric top left view of the portable fitness trainer showing my new design;
FIG. 2 is an isometric bottom view of FIG. 1 thereof;
FIG. 3 is a top plan view thereof;
FIG. 4 is a front elevation view thereof, the rear view being a mirror image thereof;
FIG. 5 is a right elevation view thereof, the left view being a mirror image thereof; and,
FIG. 6 is a bottom plan view thereof.

1 Claim, 6 Drawing Sheets



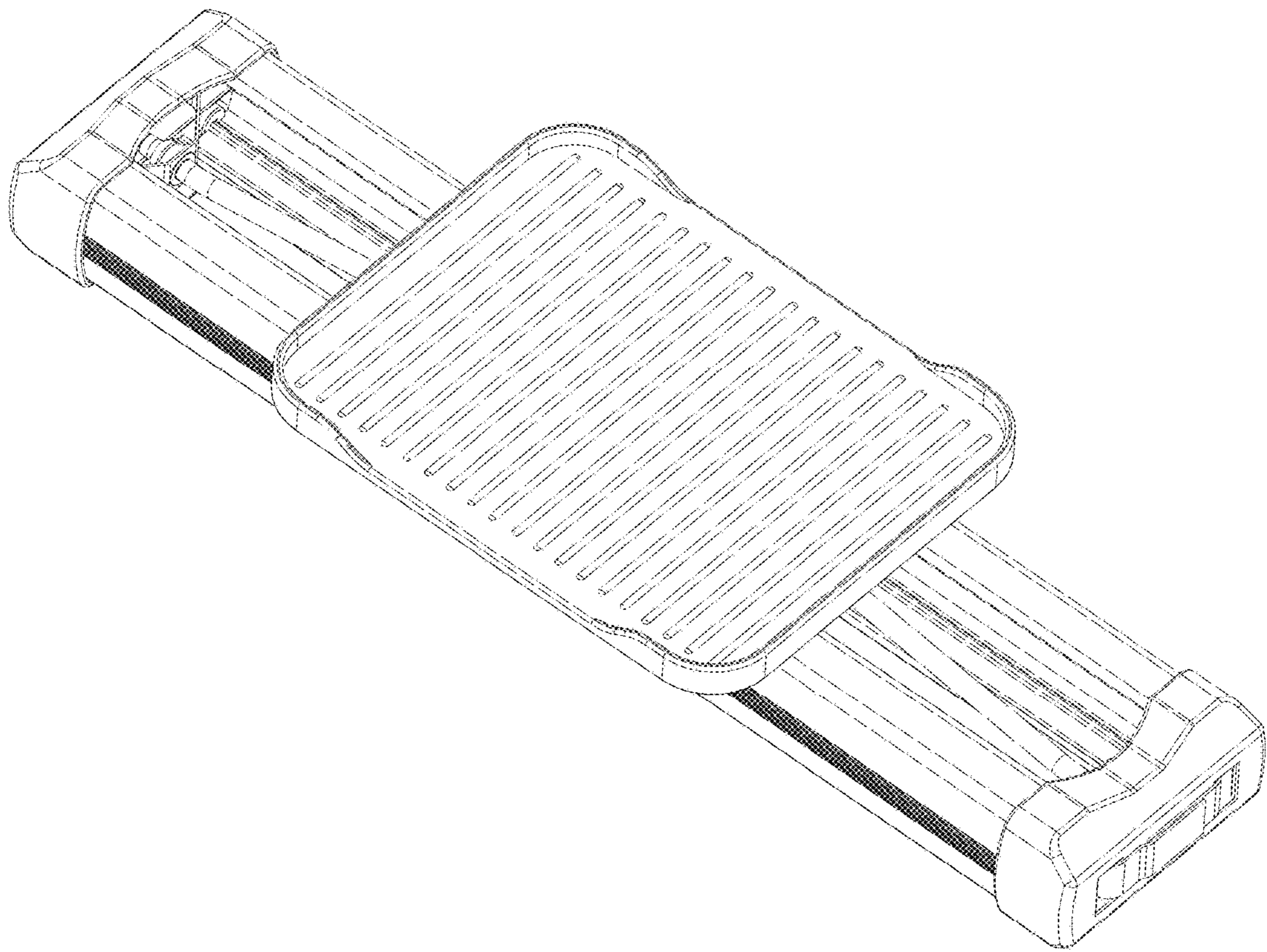


FIG. 1

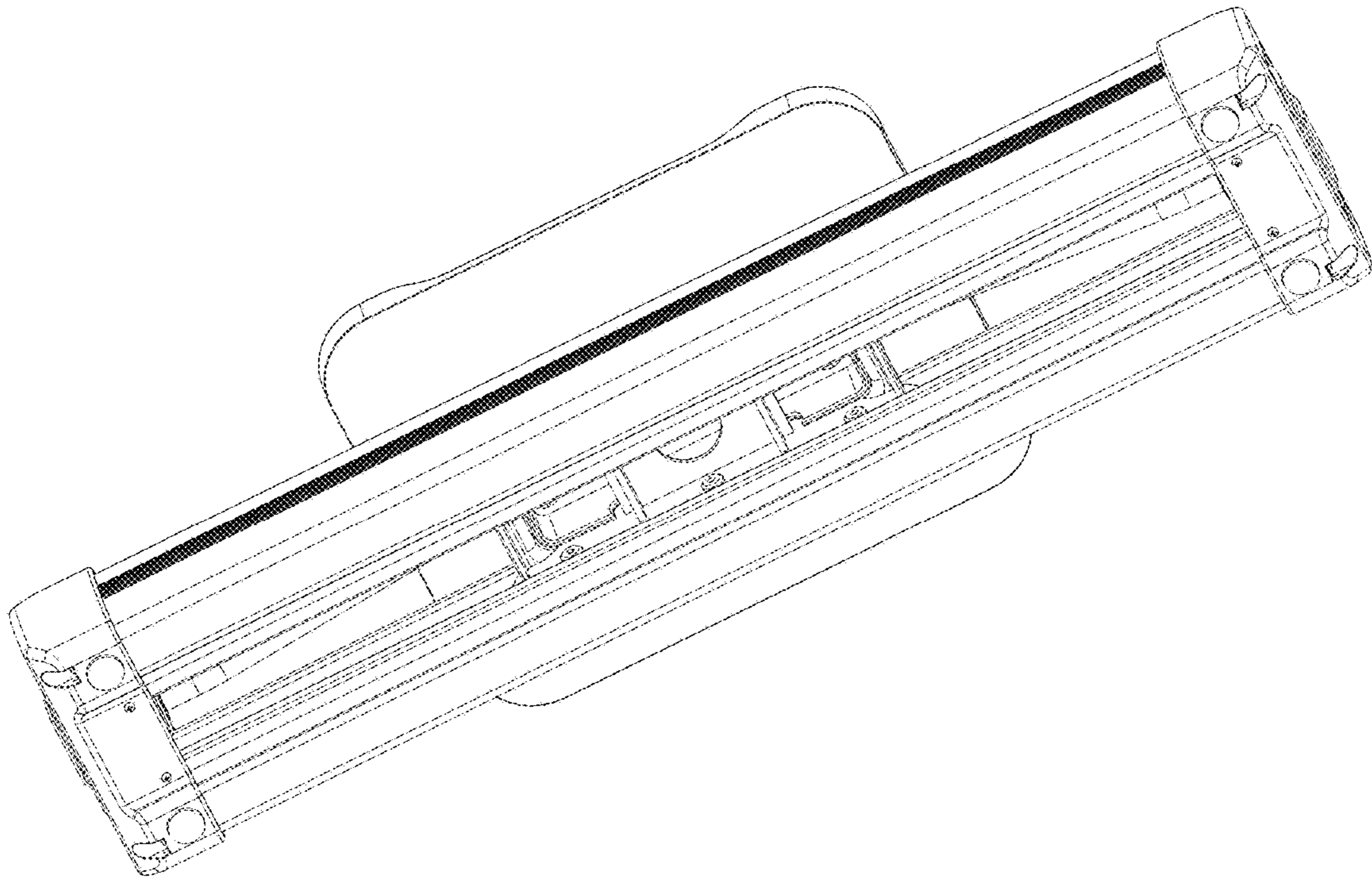


FIG. 2

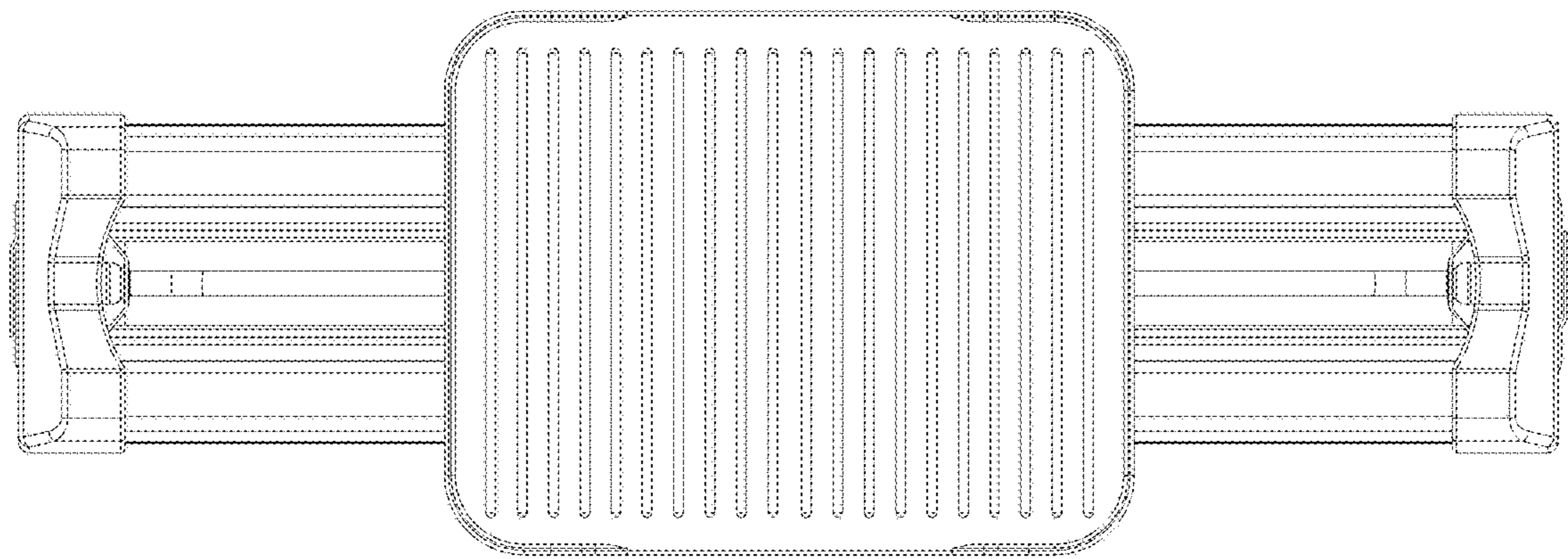


FIG. 3

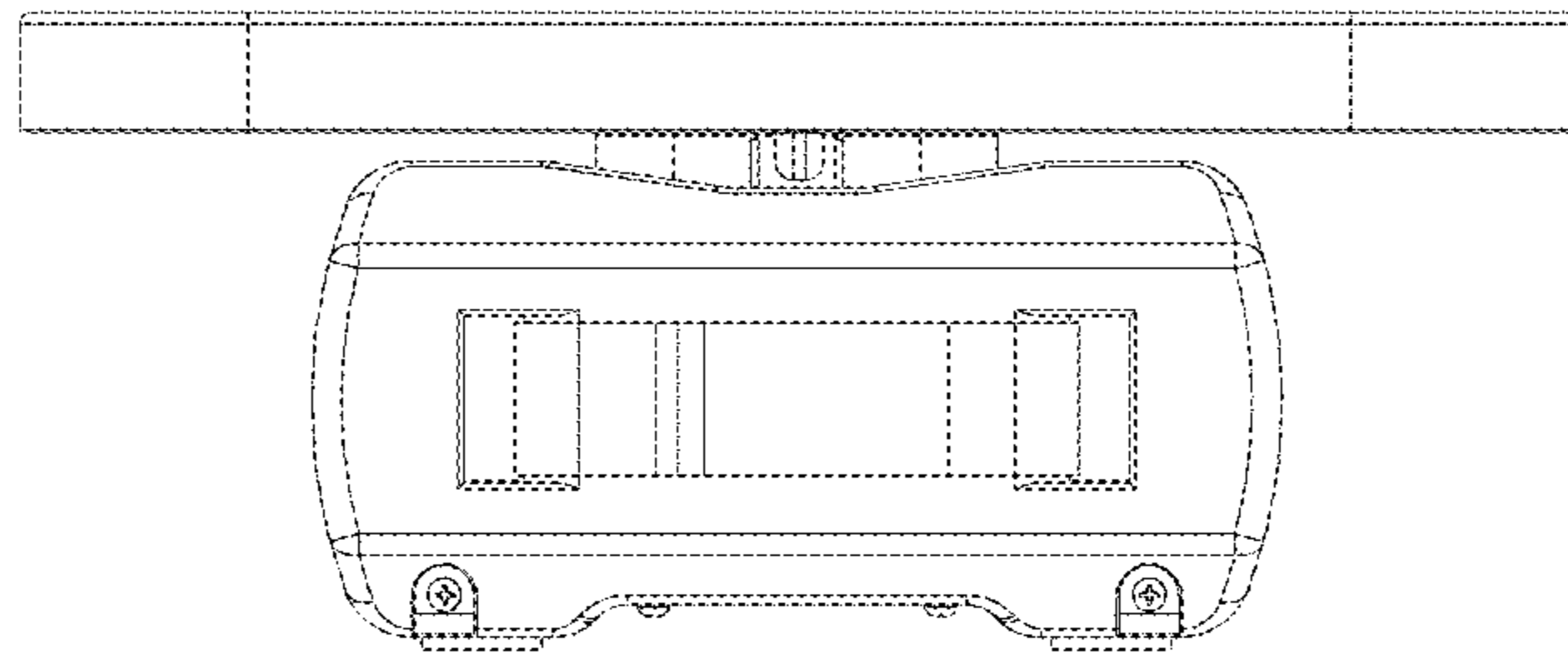


FIG. 4

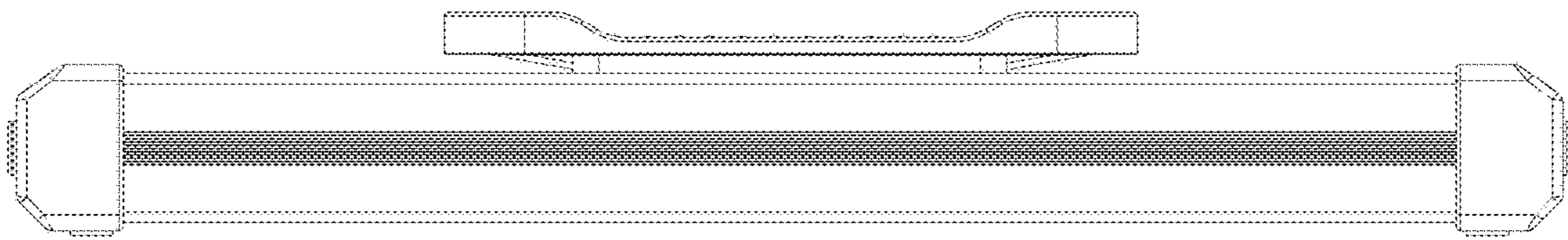


FIG. 5

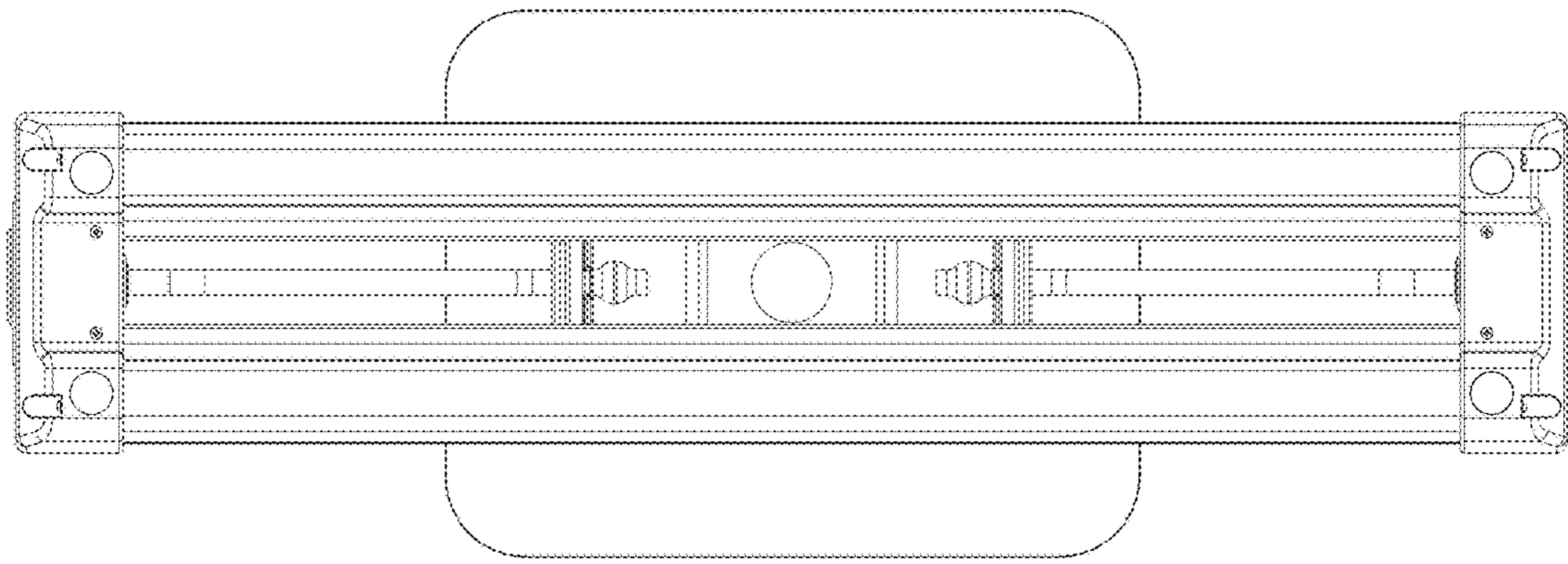


FIG. 6