



US00D791248S

(12) **United States Design Patent** (10) **Patent No.:** **US D791,248 S**  
**Cummings** (45) **Date of Patent:** **\*\* Jul. 4, 2017**

(54) **TOY BOW**  
(71) Applicant: **KMA Concepts Limited**, Tsim Sha Tsui, Kowloon (HK)  
(72) Inventor: **Peter Cummings**, Kowloon (HK)  
(73) Assignee: **KMA Concepts Limited**, Tsim Sha Tsui, Kowloon (HK)

5,979,425 A \* 11/1999 Loomis ..... 124/25.6  
7,373,934 B2 \* 5/2008 Smith et al. .... 124/25.6  
8,689,775 B2 \* 4/2014 Eee ..... 124/25.6  
D710,475 S \* 8/2014 Box et al. .... D22/108  
2004/0084039 A1 \* 5/2004 Andrews ..... 124/35.2  
2012/0060807 A1 \* 3/2012 Walterscheid ..... 124/20.3  
2012/0174902 A1 \* 7/2012 Jackson ..... 124/23.1  
2013/0263838 A1 \* 10/2013 Cummings ..... 124/20.1

(\* ) Notice: This patent is subject to a terminal disclaimer.  
(\*\* ) Term: **14 Years**

**OTHER PUBLICATIONS**

“NXT Generation Youth XFlite Compound Bow Package”. dickssportinggoods.com. Web. Apr. 21, 2010.\*  
“Genesis Youth Compound Bow Package”. dickssportinggoods.com. Web. Jun. 12, 2012.\*

(21) Appl. No.: **29/455,283**  
(22) Filed: **May 19, 2013**  
(51) **LOC (10) Cl.** ..... **21-01**  
(52) **U.S. Cl.**  
USPC ..... **D21/571**  
(58) **Field of Classification Search**  
USPC ..... D21/574, 573, 570, 571, 575, 567, 145, D21/568, 569, 572; 124/16, 23.1, 35.2, 124/25.7, 45, 82, 20.1, 27; 222/79; 446/400, 401, 403; D22/100, 104, 108, D22/107, 106, 102  
CPC ..... A63F 9/0252; F41B 5/0094; F41B 5/10  
See application file for complete search history.

\* cited by examiner

*Primary Examiner* — Robert M Spear  
*Assistant Examiner* — Kendra L Hamilton  
(74) *Attorney, Agent, or Firm* — LaMorte & Associates P.C.

(56) **References Cited**

**U.S. PATENT DOCUMENTS**

D271,411 S \* 11/1983 Adkins ..... D22/107  
D286,659 S \* 11/1986 Chu ..... D21/571  
5,349,937 A \* 9/1994 Burling ..... 124/25.6  
5,746,192 A \* 5/1998 Gissel ..... 124/1  
5,762,060 A \* 6/1998 Larson ..... 124/88

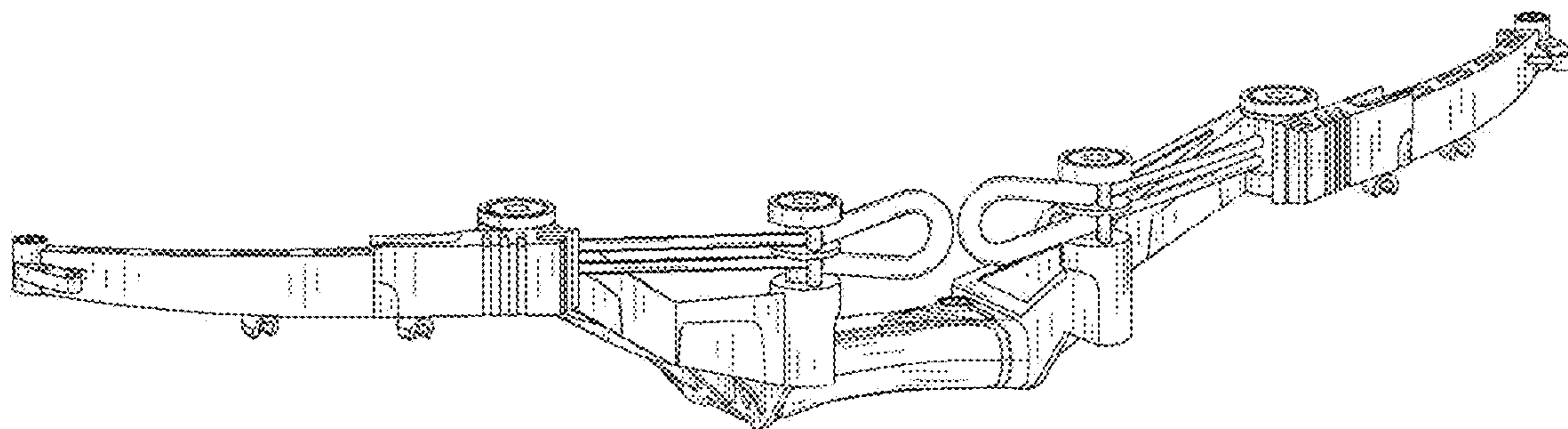
(57) **CLAIM**

The ornamental design for a toy bow, as shown and described.

**DESCRIPTION**

FIG. 1 is a front and left perspective view thereof;  
FIG. 2 is a rear and right perspective view thereof;  
FIG. 3 is a rear view thereof;  
FIG. 4 is a front view thereof;  
FIG. 5 is a top view thereof;  
FIG. 6 is a bottom view thereof;  
FIG. 7 is a left view thereof; and,  
FIG. 8 is a right view thereof.  
Portions of the disclosure shown in broken lines form no part of the claimed design.

**1 Claim, 5 Drawing Sheets**



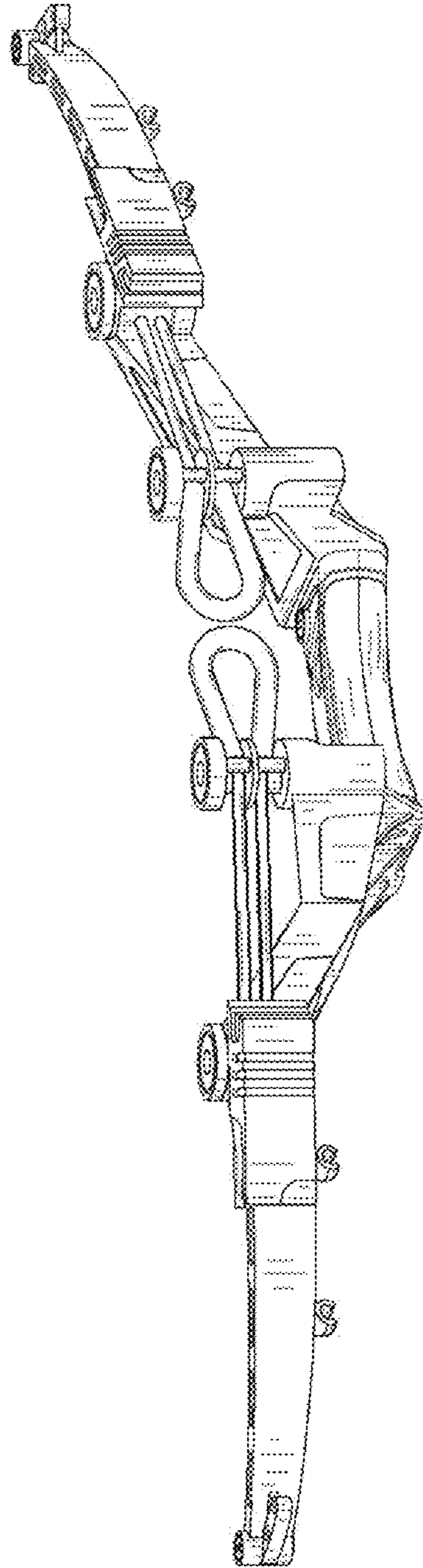


FIG. 1

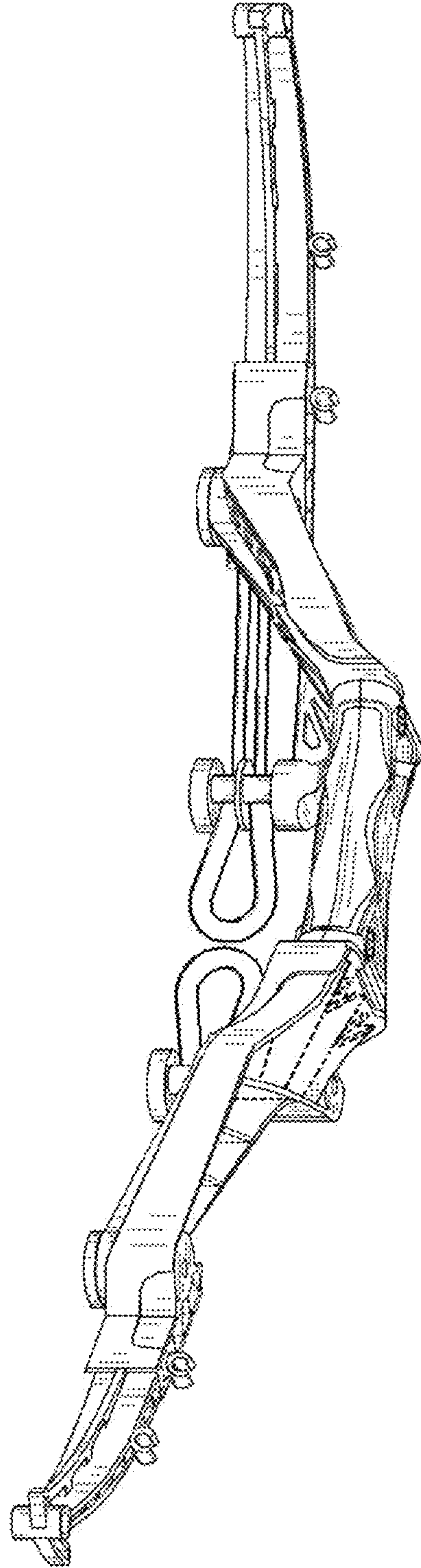


FIG. 2



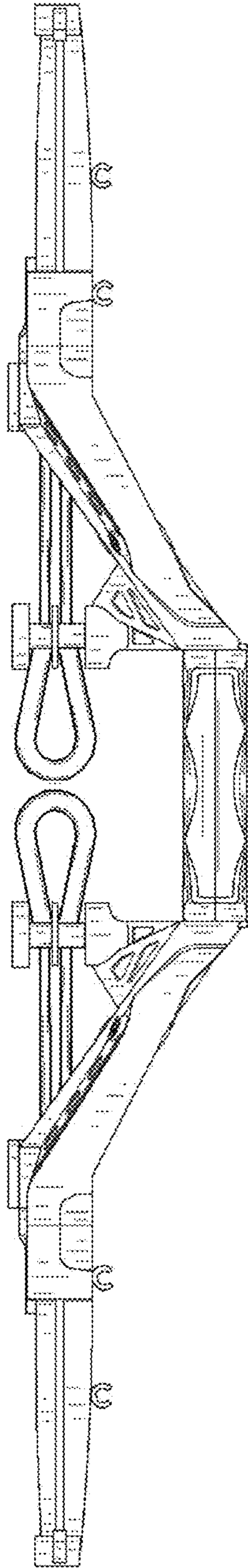


FIG. 3

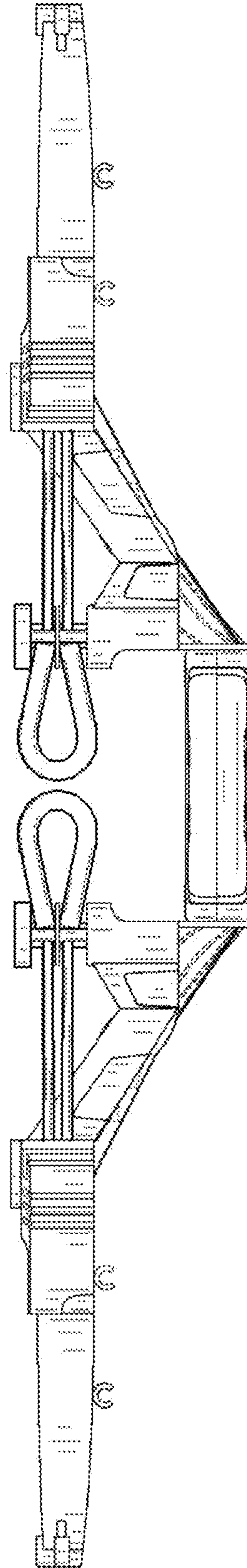


FIG. 4

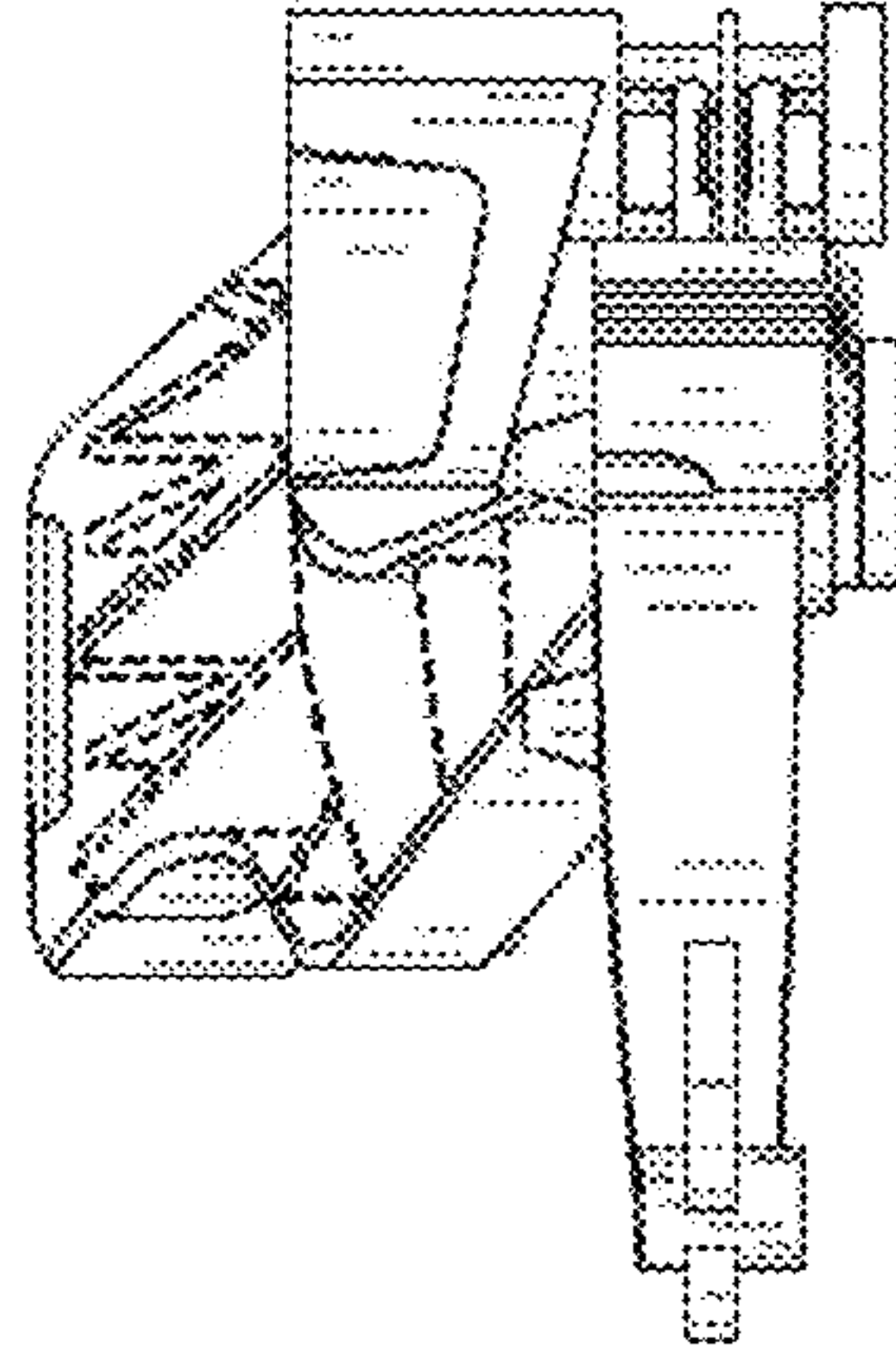


FIG. 6

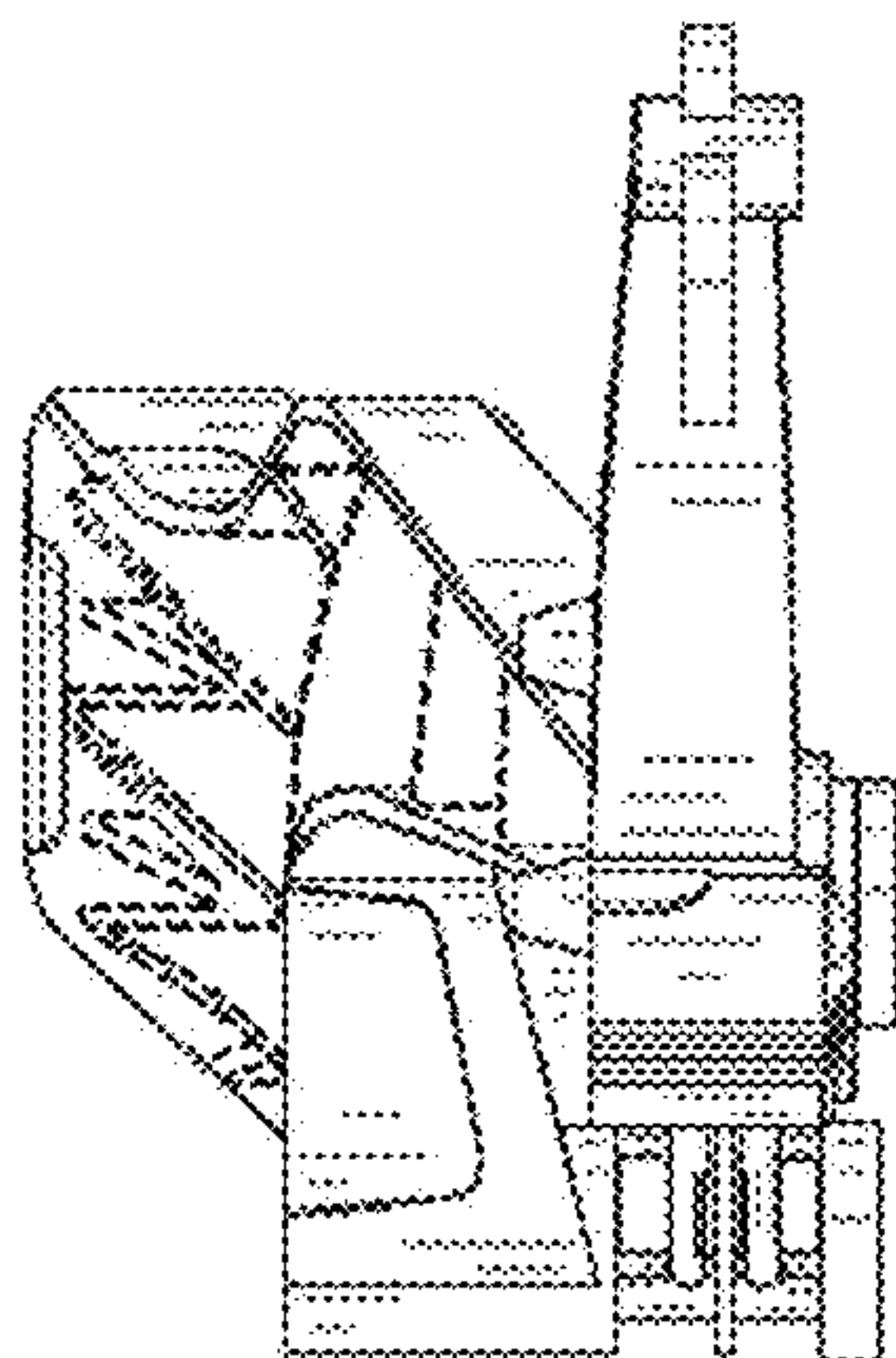


FIG. 5

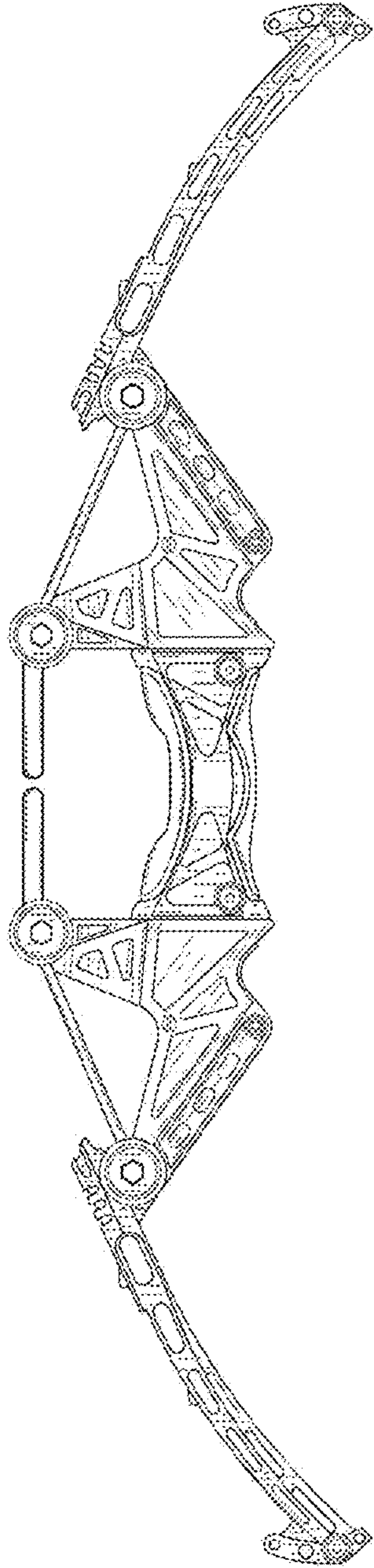


FIG. 7

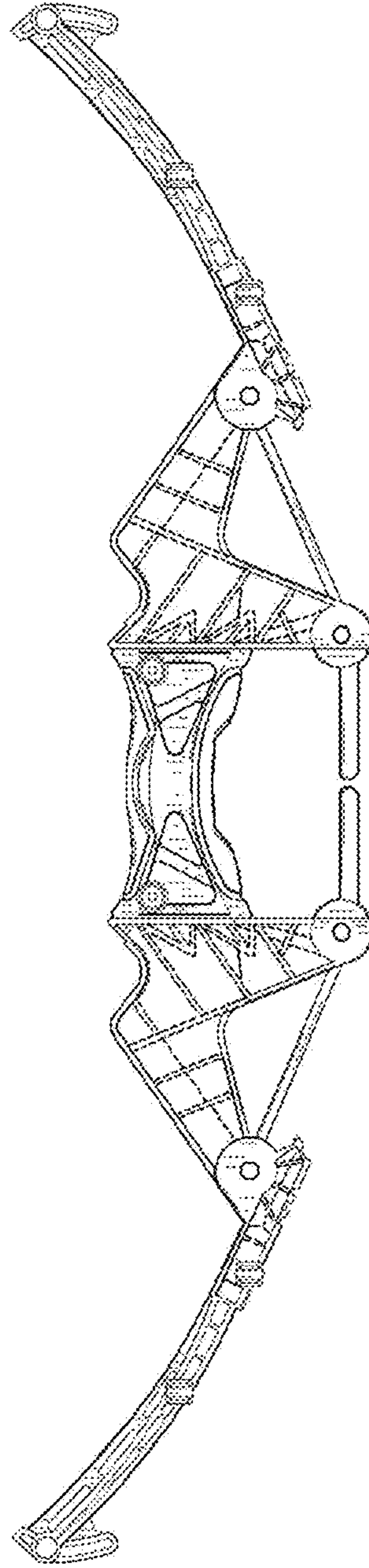


FIG. 8