



US00D791247S

(12) **United States Design Patent** (10) **Patent No.:** **US D791,247 S**
O'Brien et al. (45) **Date of Patent:** **** Jul. 4, 2017**

(54) **BOUNCE BOARD WITH HANDLES** 5,897,474 A * 4/1999 Romero A63B 22/14
446/396
(71) Applicant: **BRAND 44 TRADING LLC**, Denver, CO (US) D540,887 S 4/2007 Goldman et al.
7,303,512 B1 12/2007 Goldman et al.
D564,604 S * 3/2008 Mikail D21/688
(72) Inventors: **Ed O'Brien**, Denver, CO (US); D709,136 S 7/2014 Goldman et al.
Jonathan Curts, Denver, CO (US); D709,137 S 7/2014 Goldman et al.
Bryan Krueger, Denver, CO (US) 2004/0087421 A1 * 5/2004 Lin A63B 21/0004
482/146

(Continued)

(73) Assignee: **Brand 44 Trading, LLC**, Denver, CO (US)

(**) Term: **15 Years**

(21) Appl. No.: **29/564,371**

(22) Filed: **May 12, 2016**

(51) **LOC (10) Cl.** **21-01**

(52) **U.S. Cl.**
USPC **D21/412**; D21/421

(58) **Field of Classification Search**
USPC D21/797, 694, 671, 686, 698, 699, 680,
D21/685, 692, 662, 687, 689, 318, 688,
D21/412, 333, 683, 798, 421, 399;
482/142, 52, 51, 30, 74, 91, 140, 25, 94,
482/105, 93, 110, 146, 125, 126, 123,
482/139, 79, 80, 71, 147, 34, 77;
428/122; D6/349, 582, 592, 335, 350,
D6/583, 588, 585; 297/461, 223, 423.41;
248/678; 473/278, 218, 269; 280/205,
280/87.042, 609; D19/59; 1/1
CPC A63B 26/003; A63B 22/16; A63B 22/18;
A63B 21/0442; A63B 21/4035; A63B
2208/0204; A63B 21/0004; A63B 22/14;
A63B 69/0093; A63B 23/0458

See application file for complete search history.

(56) **References Cited**

U.S. PATENT DOCUMENTS

3,604,726 A * 9/1971 Tracy A63B 21/0004
280/205
3,716,229 A * 2/1973 Van Der Cleyen A63B 5/166
482/77

OTHER PUBLICATIONS

Slackers Sky Board by Slackersline dated no date given. Found online [Feb. 13, 2017] <https://slackersline.com/product/sky-board/>.*

(Continued)

Primary Examiner — Robert M Spear
Assistant Examiner — Ryan Harvey
(74) *Attorney, Agent, or Firm* — Westerman, Hattori,
Daniels & Adrian, LLP

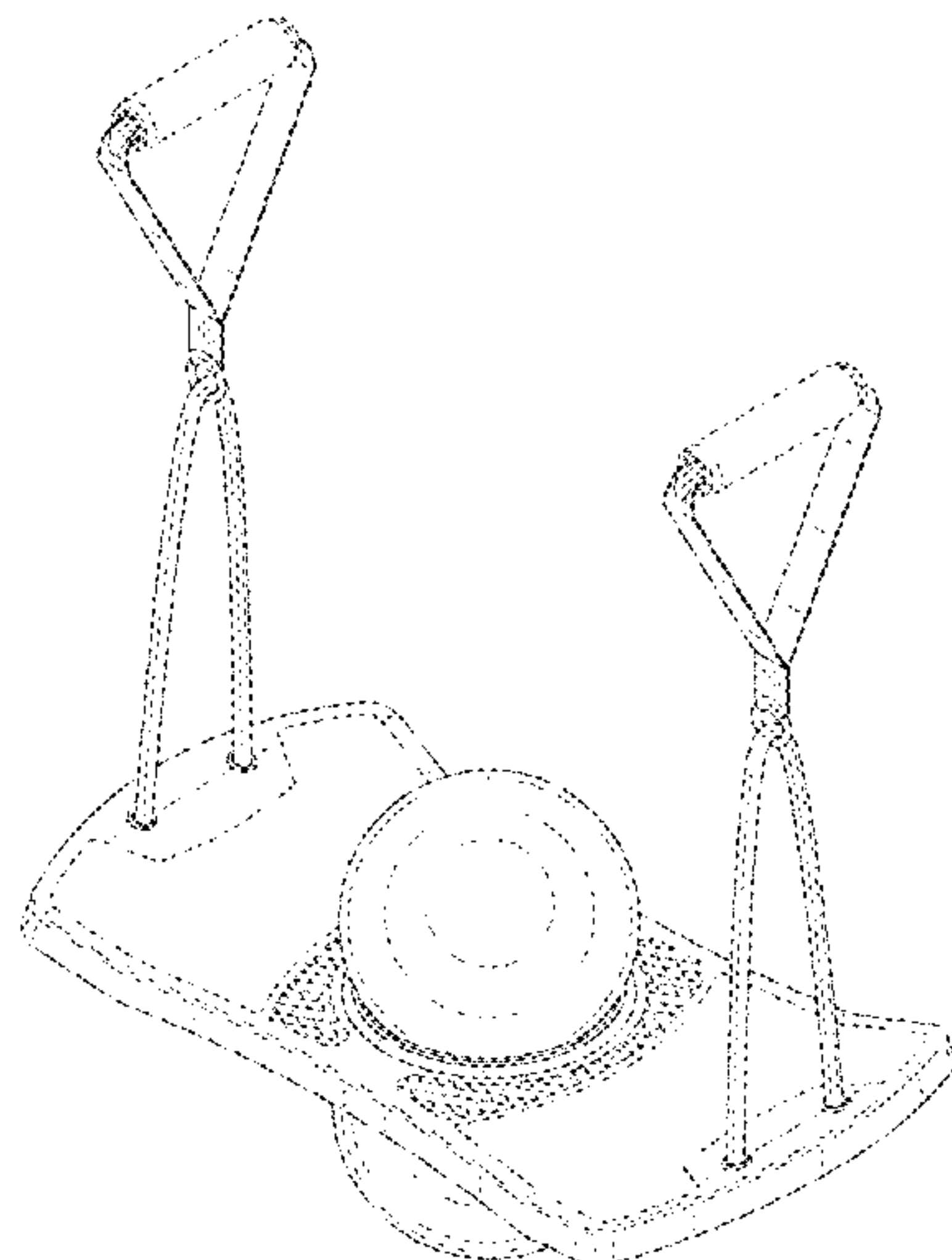
(57) **CLAIM**

The ornamental design for a bounce board with handles, as shown and described.

DESCRIPTION

FIG. 1 is a top perspective view of the bounce board with handles;
FIG. 2 is a bottom perspective view thereof;
FIG. 3 is a front view of thereof;
FIG. 4 is a back view thereof;
FIG. 5 is a left side view thereof;
FIG. 6 is a right side view thereof;
FIG. 7 is a top view thereof; and,
FIG. 8 is a bottom view thereof.
The broken lines form no part of the claimed design.

1 Claim, 8 Drawing Sheets



(56)

References Cited

U.S. PATENT DOCUMENTS

2014/0121082 A1* 5/2014 Kramer A63B 26/003
482/142
2015/0238793 A1* 8/2015 Kramer A63C 17/0093
482/142

OTHER PUBLICATIONS

<http://www.amazon.com/gp/product/B004LCMKAG/ref=pd_lpo_sbs_dp_ss_1?pf_rd_p=1944687582&pf_rd_s=lpo-top-stripe-1&pf_rd_t=201&pf_rd_i=B00I4EM1QK&pf_rd_m=ATVPDKIKX0DER&pf_rd_r=14Q6HF8SSVV8VS0J7D9P>“Geospace Jumparoo Air POGO Jumper by Air Kicks”, GeoSpace, Accessed May 9, 2016.
<<http://www.amazon.com/Goliath-Zoingo-Boingo-Flexible-Freestyle/dp/B00I4EM1QK>>, “Goliath Zoingo Boingo—The Flexible Freestyle Pogo, Blue/Orange”, Goliath Games, Accessed May 9, 2016.

<http://www.amazon.com/gp/product/B00UNAJJ9A/ref=pd_lpo_sbs_dp_ss_3?pf_rd_p=1944687602&pf_rd_s=lpo-top-stripe-1&pf_rd_t=201&pf_rd_i=B00I4EM1QK&pf_rd_m=ATVPDKIKX0DER&pf_rd_r=0NMZYGWRZ4SKGCMJWR9N>, “ZB Freestyle Board”, Tucker Toys, Accessed May 4, 2016.
<http://www.amazon.com/Kidoozie-G02404-Foam-Pogo-Jumper/dp/B00704IO48/ref=pd_bxgy_21_img_3?e=UTF8&refRID=0B0M3K483PVBY6NGAR9D>, “Kidoozie Foam Pogo Jumper—Fun and Safe Play—Encourages an Active Lifestyle—Makes Squeaky Sounds—For All Sizes, 250 Pound Capacity”, Kidoozie, Accessed May 9, 2016.
<http://www.amazon.com/Pedal-Roller-Balance-Toy-Kids/dp/B003Y72UJA/ref=pd_sbs_21_7?e=UTF8&dpID=41NJIJs2EL&dpSrc=sims&preST=_AC_UL160_SR160%2C160_&refRID=04R17GXDKS0ZRZT2B8GX>, “Pedal Roller II Balance Toy For Kids”, Constructive Playthings, Accessed May 9, 2016.

* cited by examiner

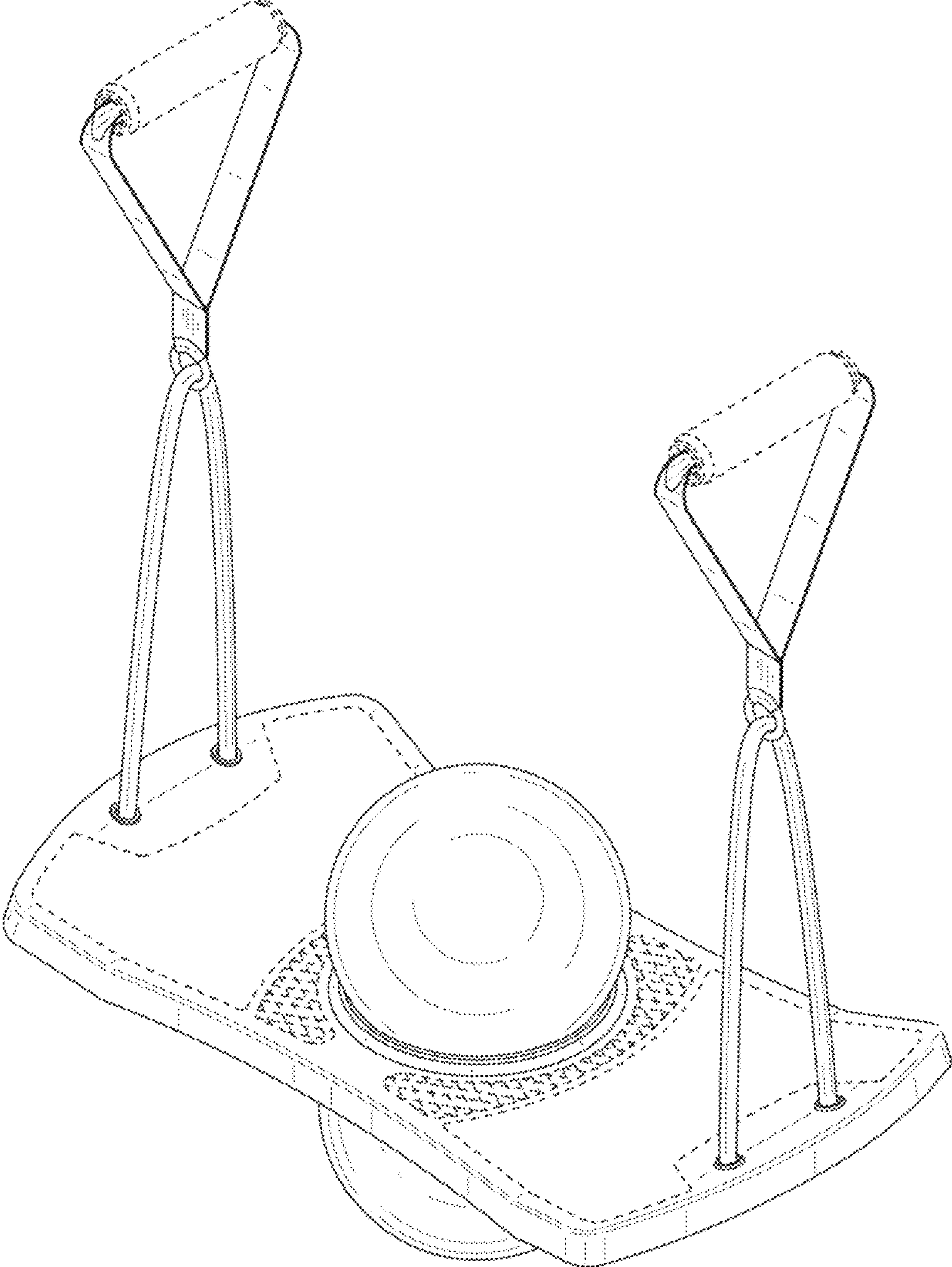


FIG. 1

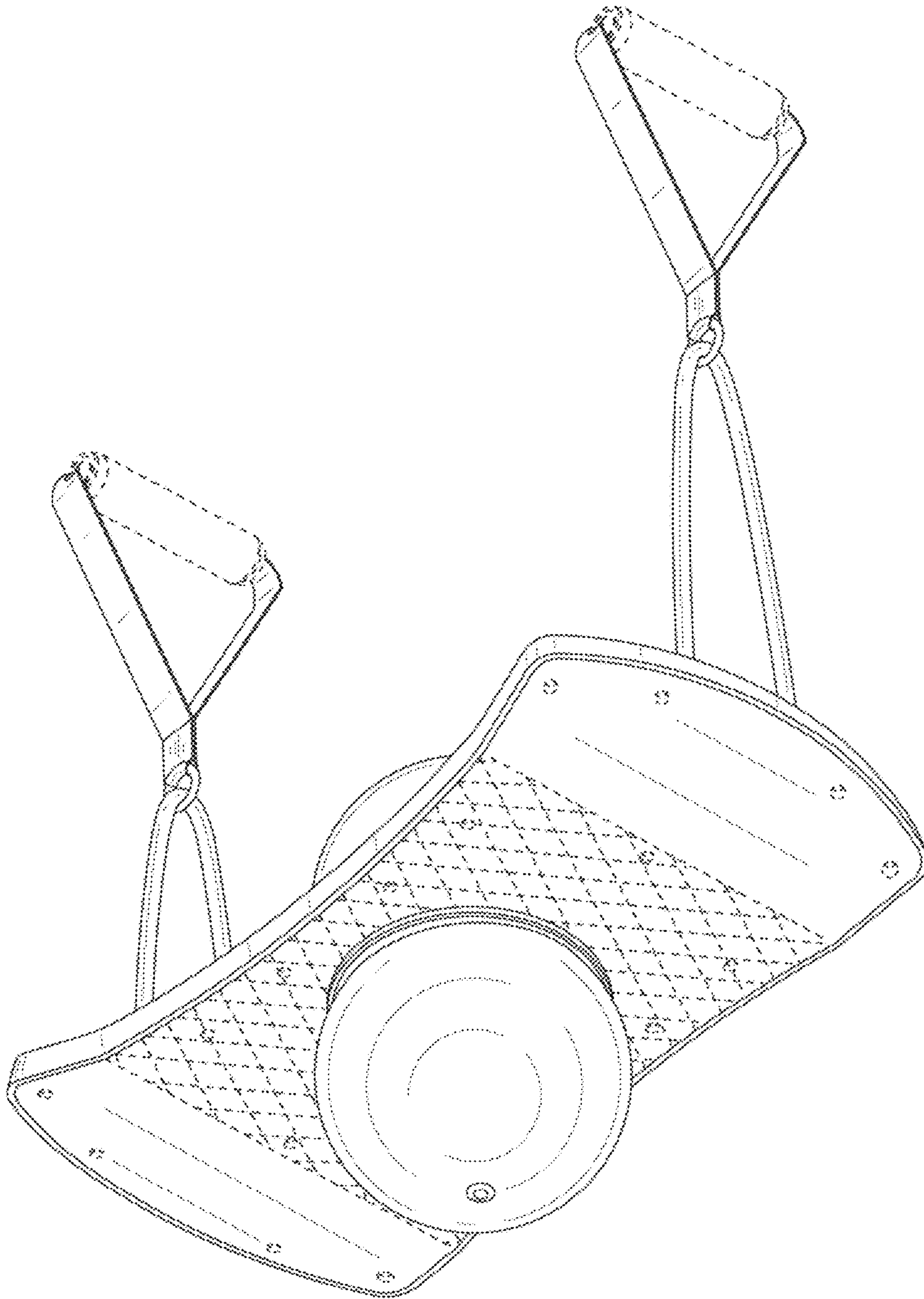


FIG. 2

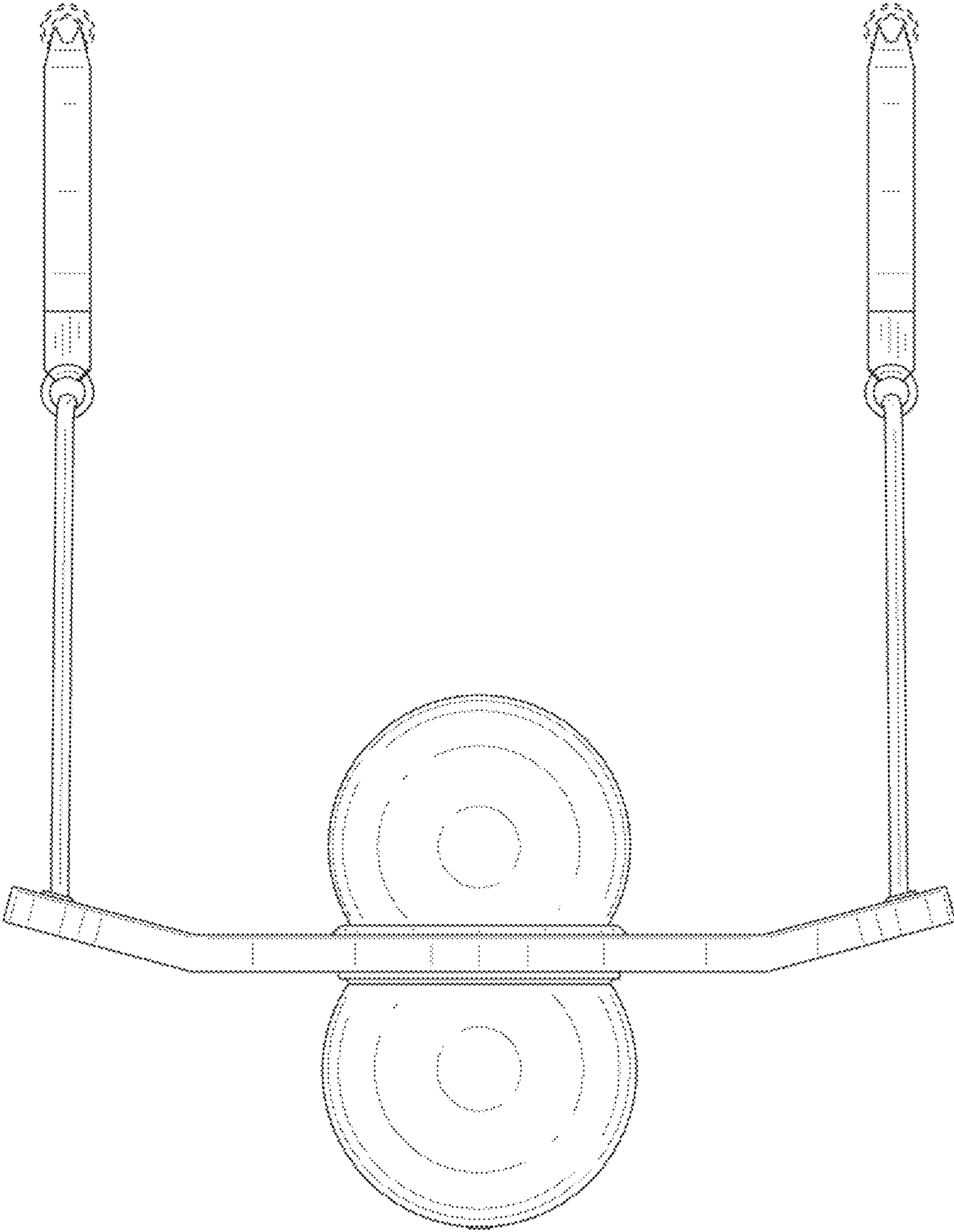


FIG. 3

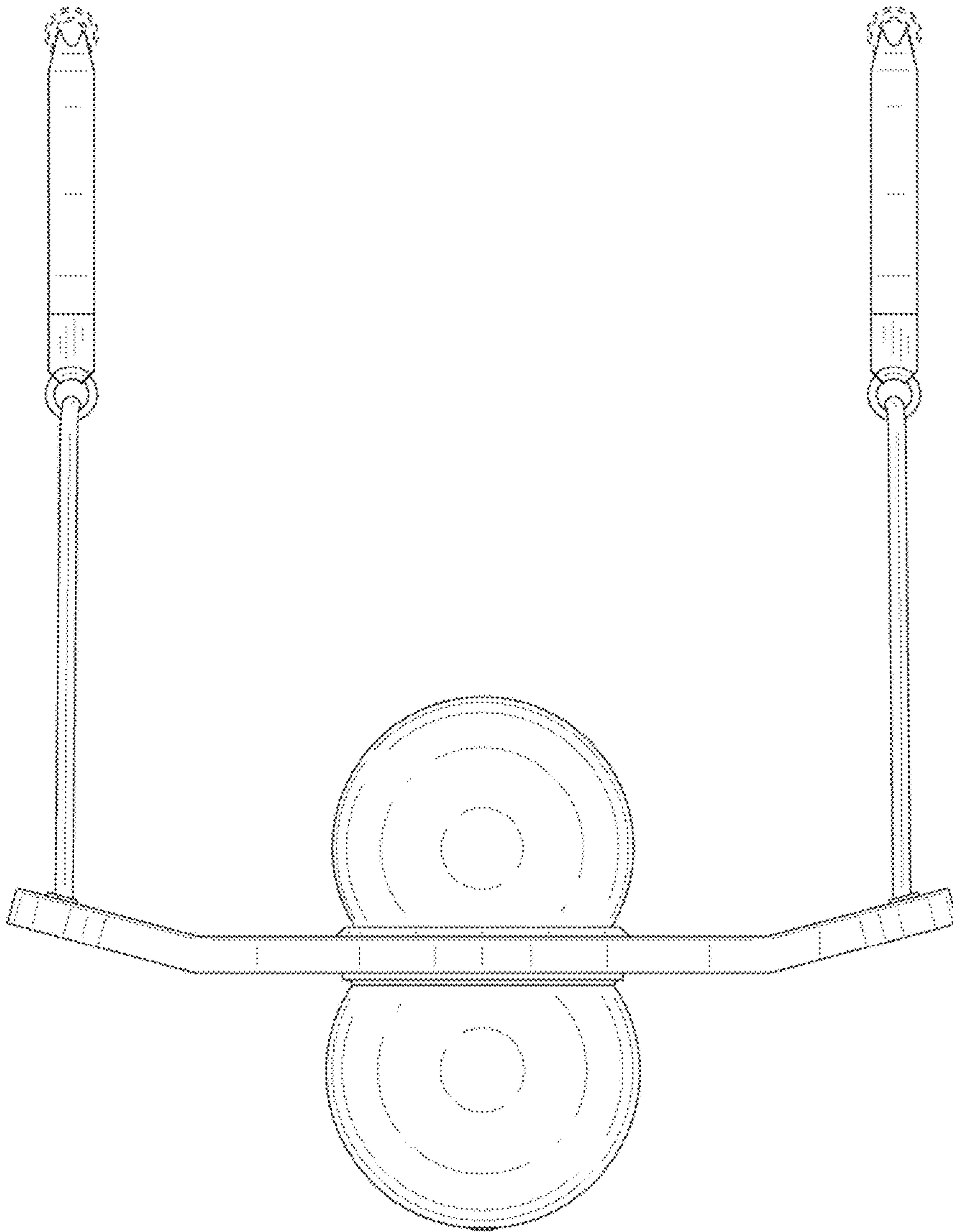


FIG. 4

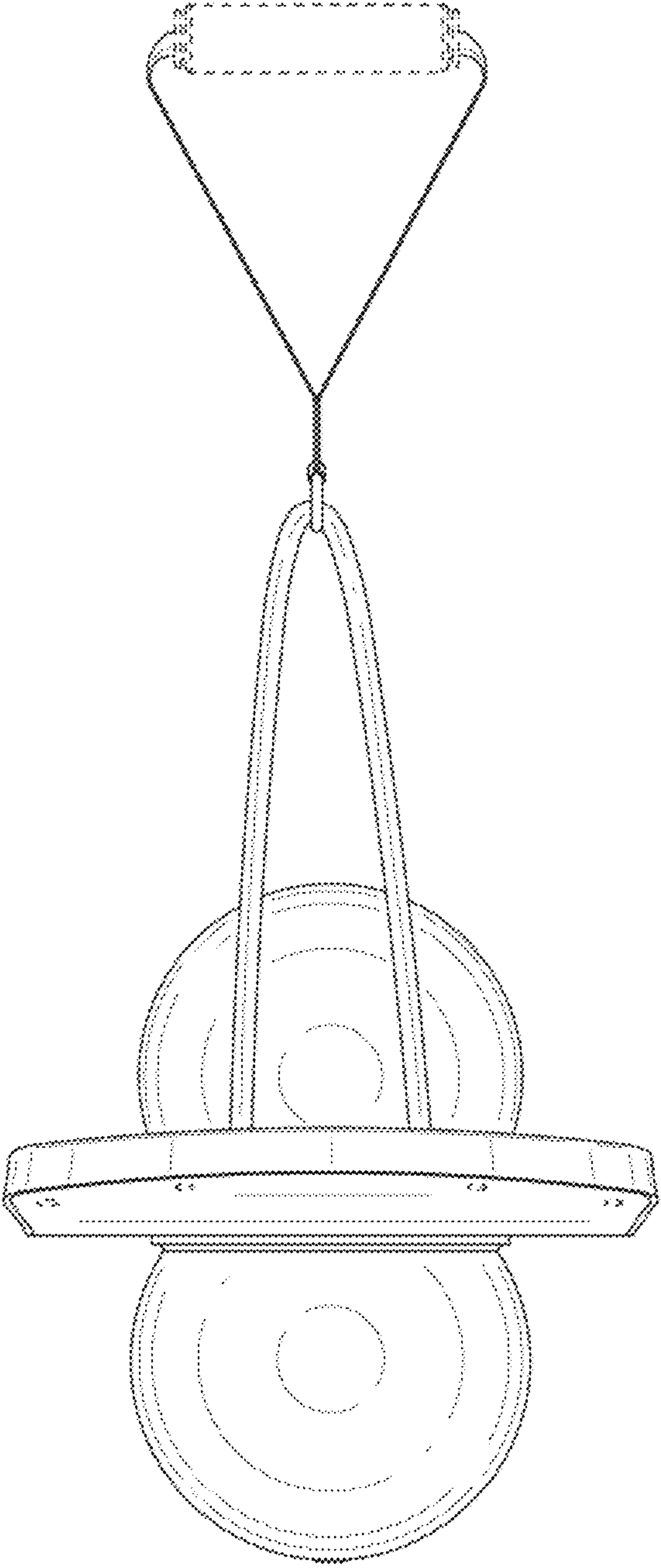


FIG. 5

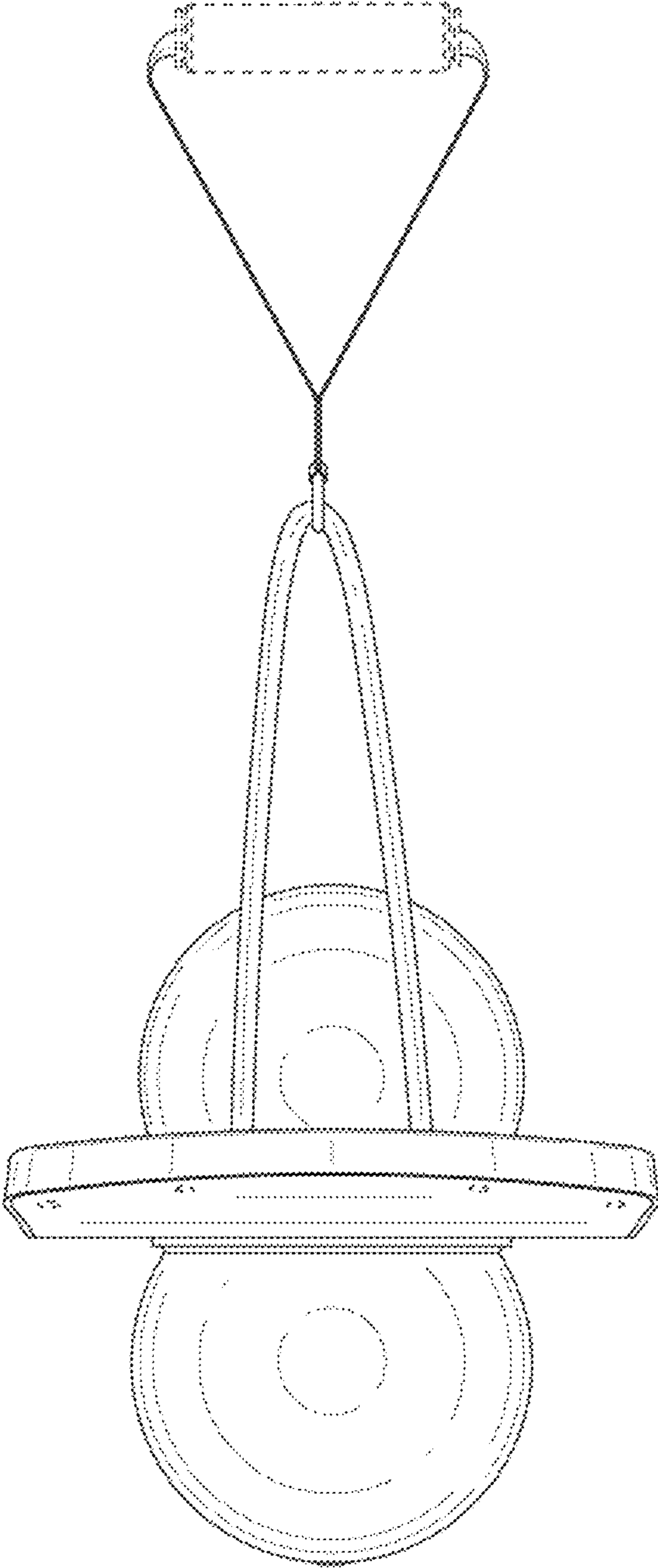


FIG. 6

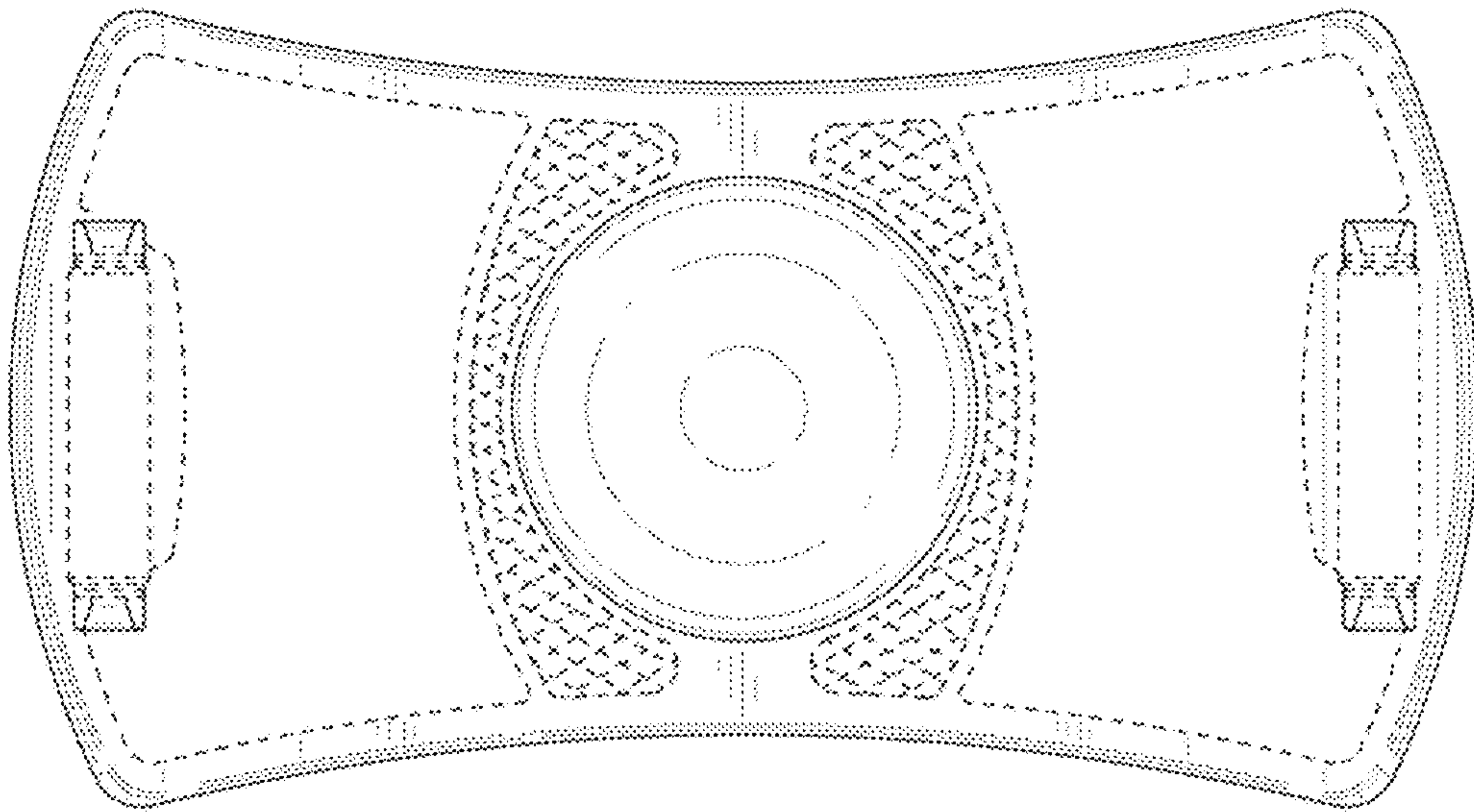


FIG. 7

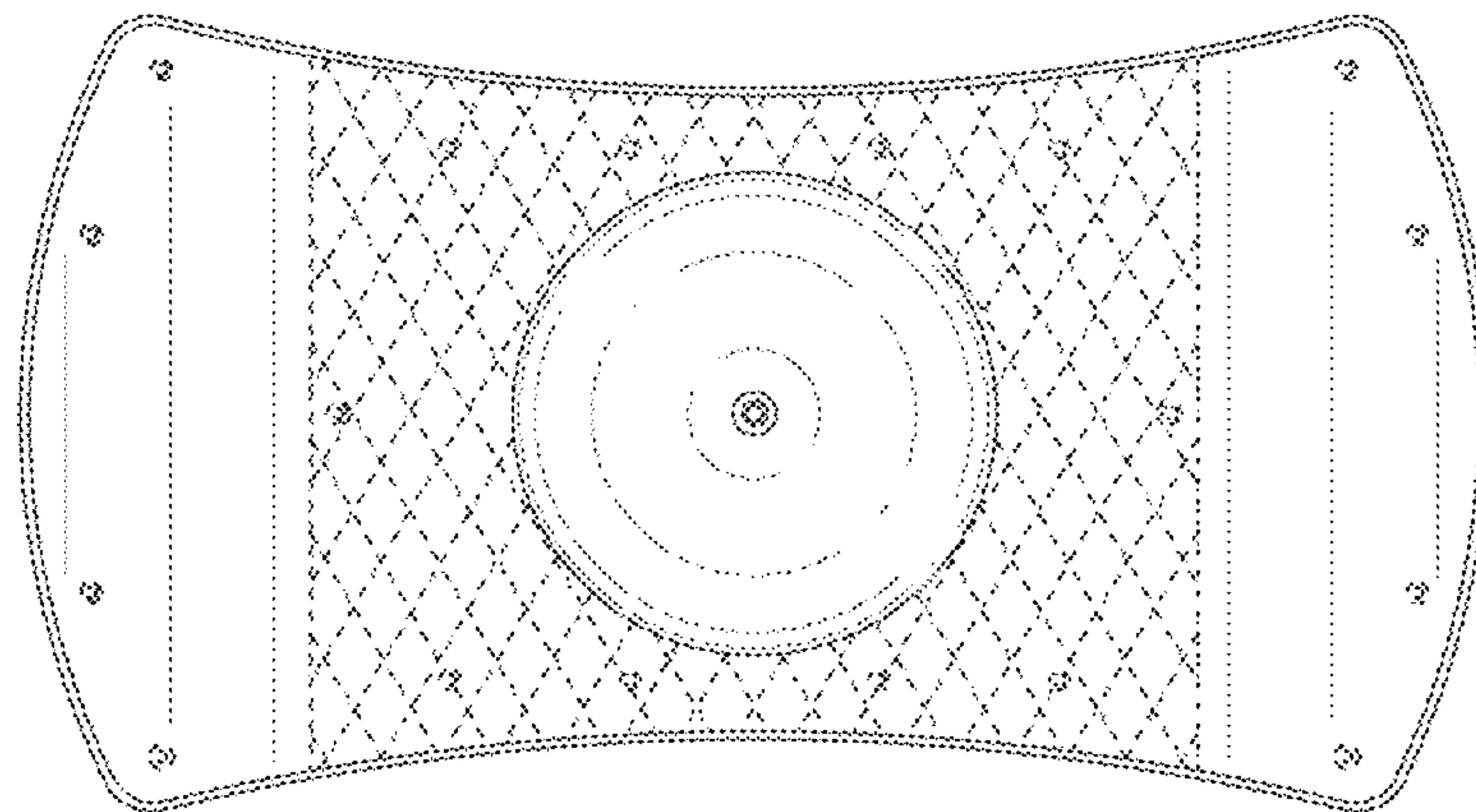


FIG. 8