



US00D791246S

(12) **United States Design Patent** (10) **Patent No.:** **US D791,246 S**  
**Foley** (45) **Date of Patent:** **\*\* Jul. 4, 2017**

(54) **DART BODY**

(71) Applicant: **Scott Foley**, Fullerton, CA (US)

(72) Inventor: **Scott Foley**, Fullerton, CA (US)

(\*\*) Term: **15 Years**

(21) Appl. No.: **29/545,327**

(22) Filed: **Nov. 11, 2015**

(51) **LOC (10) Cl.** ..... **21-01**

(52) **U.S. Cl.**  
USPC ..... **D21/387**

(58) **Field of Classification Search**  
USPC ..... D21/301, 308, 385, 387  
CPC ..... F42B 12/72; F42B 6/003  
See application file for complete search history.

(56) **References Cited**

**U.S. PATENT DOCUMENTS**

D254,559	S	*	3/1980	Chmela	.....	D21/387
D380,784	S	*	7/1997	Smith	.....	D21/387
D381,372	S	*	7/1997	Smith	.....	D21/387
D387,845	S	*	12/1997	Smith	.....	D21/387
D393,665	S	*	4/1998	Smith	.....	D21/387
D394,085	S	*	5/1998	Leedy	.....	401/195
D395,465	S	*	6/1998	Smith	.....	D21/387
D399,539	S	*	10/1998	Smith	.....	D21/387
D403,370	S	*	12/1998	Bottelsen	.....	D21/387
D437,620	S	*	2/2001	Smith	.....	D21/387
D477,640	S	*	7/2003	Gamble	.....	D21/387
D494,226	S	*	8/2004	Perez	.....	D21/387
D677,603	S	*	3/2013	Kenn	.....	D12/114
D690,775	S	*	10/2013	Chen	.....	D21/387
D692,962	S	*	11/2013	Williams	.....	D21/387

\* cited by examiner

*Primary Examiner* — Darlington Ly

*Assistant Examiner* — Daniel J Domino

(74) *Attorney, Agent, or Firm* — The Law Office of Austin Bonderer, PC; Austin Bonderer

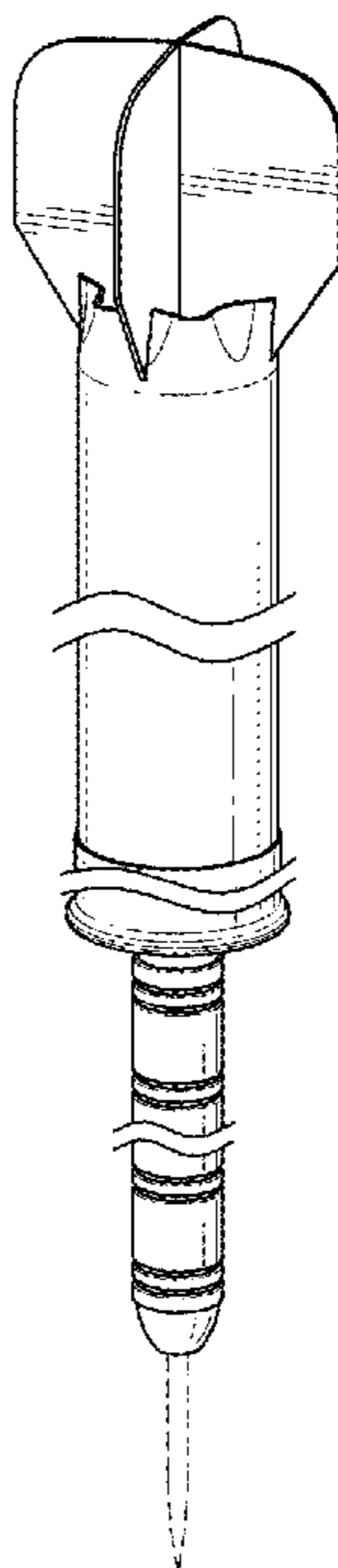
(57) **CLAIM**

The ornamental design for a dart body, as shown and described.

**DESCRIPTION**

FIG. 1 is a top perspective view of a dart body showing my new design;  
FIG. 2 is a bottom perspective view thereof;  
FIG. 3 is a side view thereof;  
FIG. 4 is an opposing side view thereof;  
FIG. 5 is a top plan view thereof;  
FIG. 6 is a bottom plan view thereof;  
FIG. 7 is a top perspective view of a second embodiment thereof;  
FIG. 8 is a bottom perspective view thereof;  
FIG. 9 is a side view thereof;  
FIG. 10 is an opposing side view thereof;  
FIG. 11 is a top plan view thereof; and,  
FIG. 12 is a bottom plan view thereof.  
The broken lines showing portions of the dart body illustrate portions of the article and form no part of the claimed design. FIGS. 1-12 are shown with symbolic breaks in their length. The appearance of any portion of the article between the break lines forms no part of the claimed design.

**1 Claim, 4 Drawing Sheets**



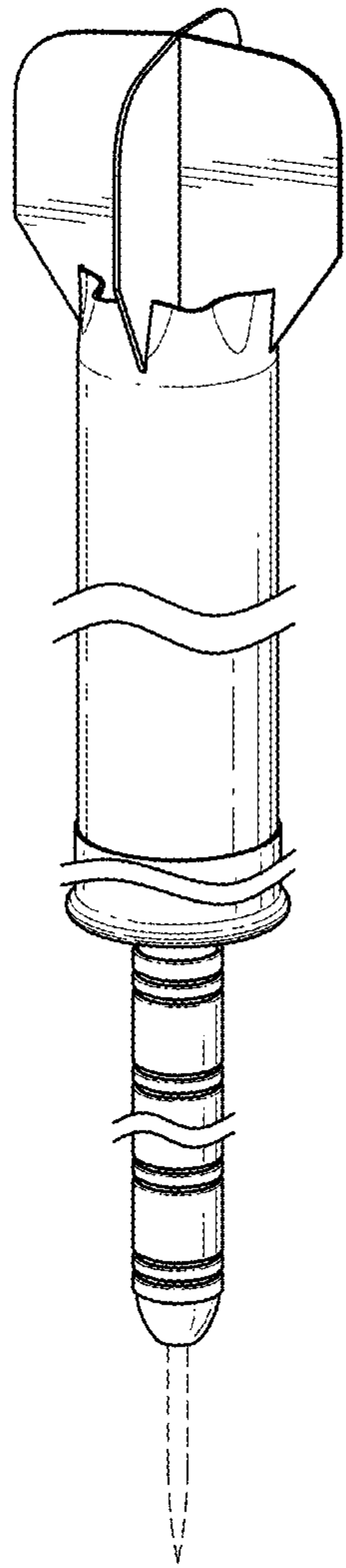


FIG. 1

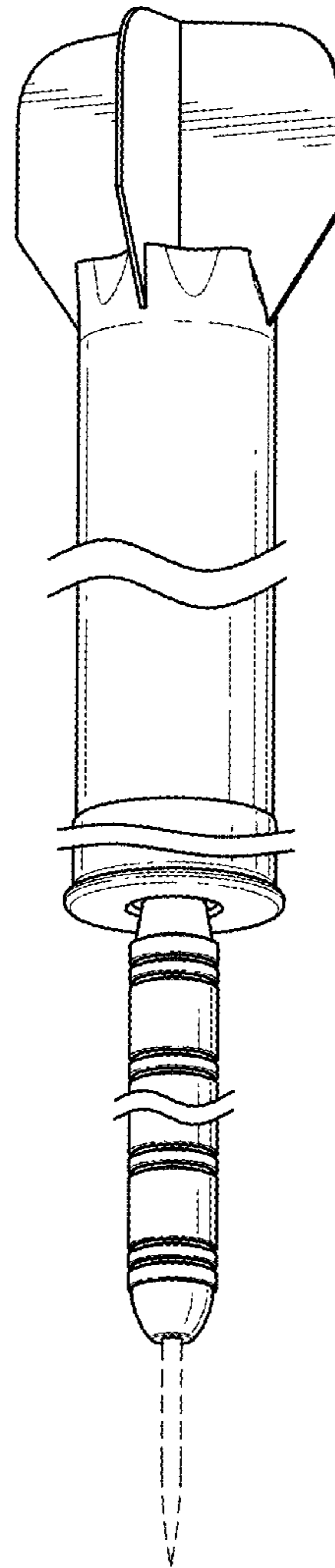


FIG. 2

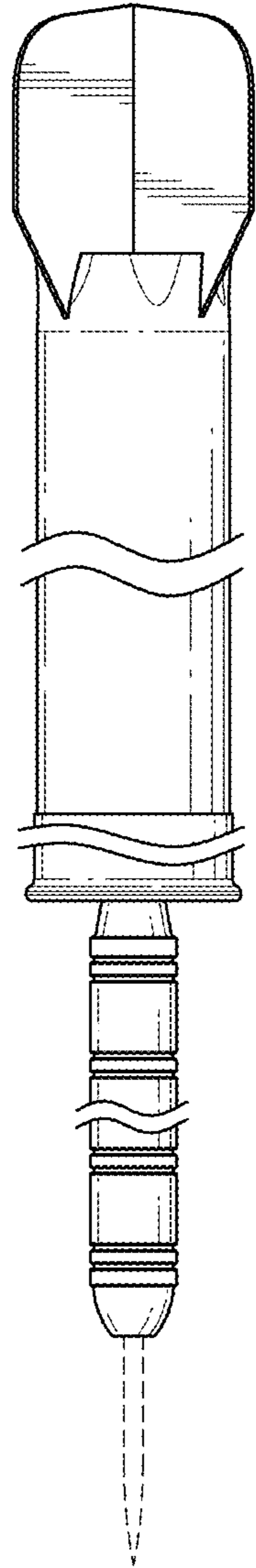


FIG. 3

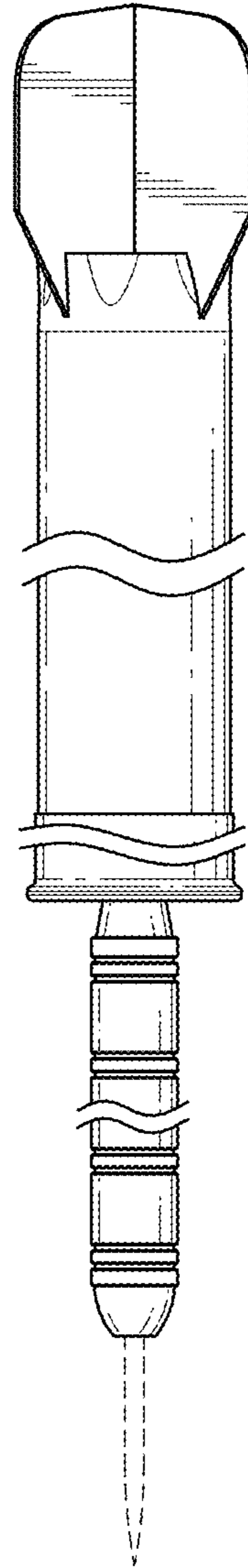


FIG. 4

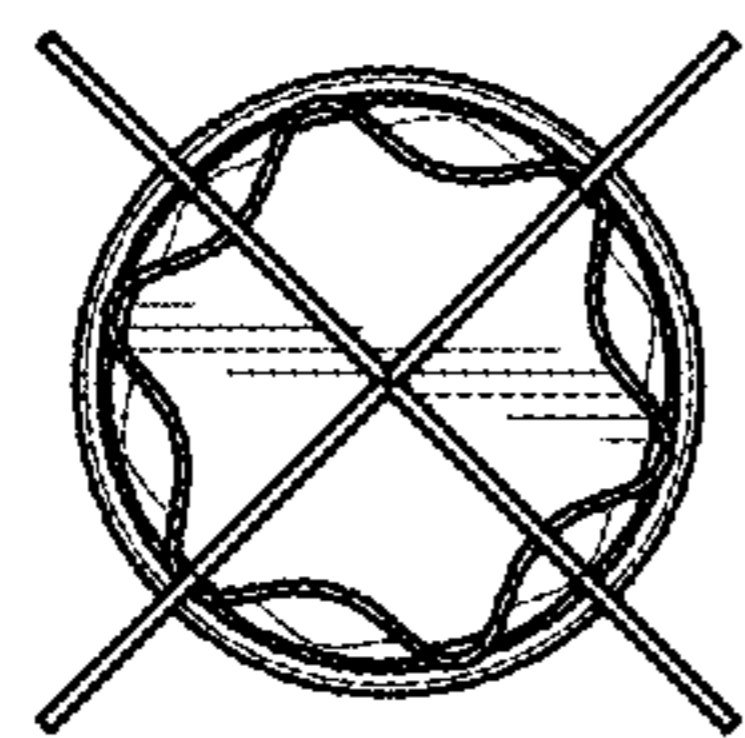


FIG. 5

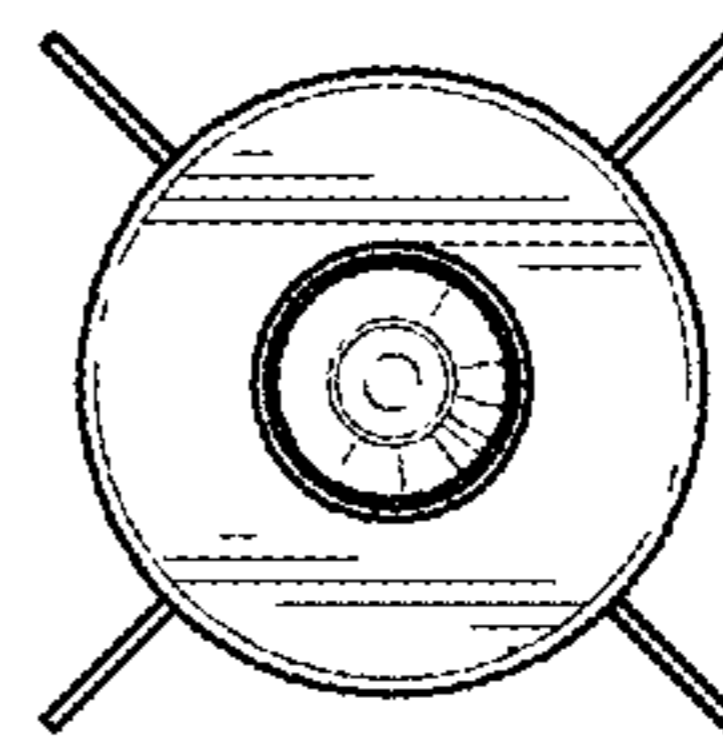


FIG. 6

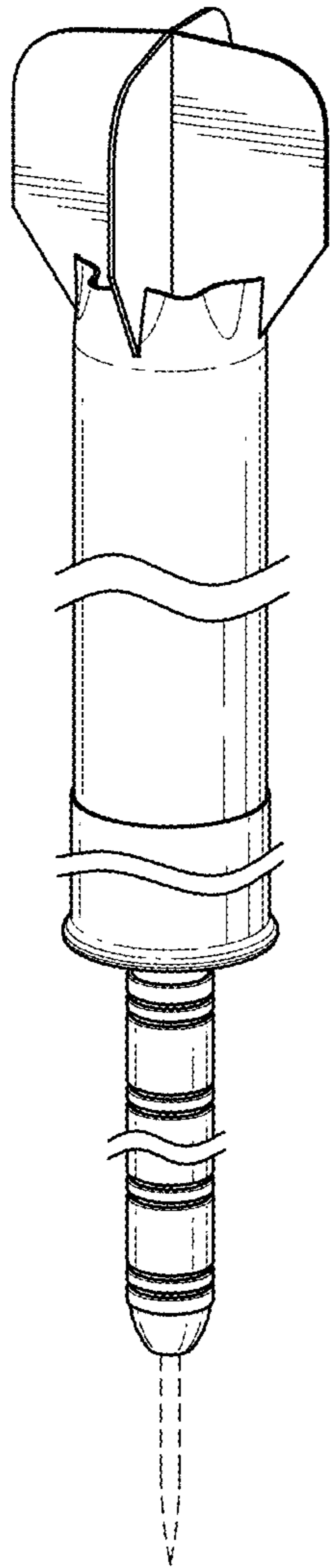


FIG. 7

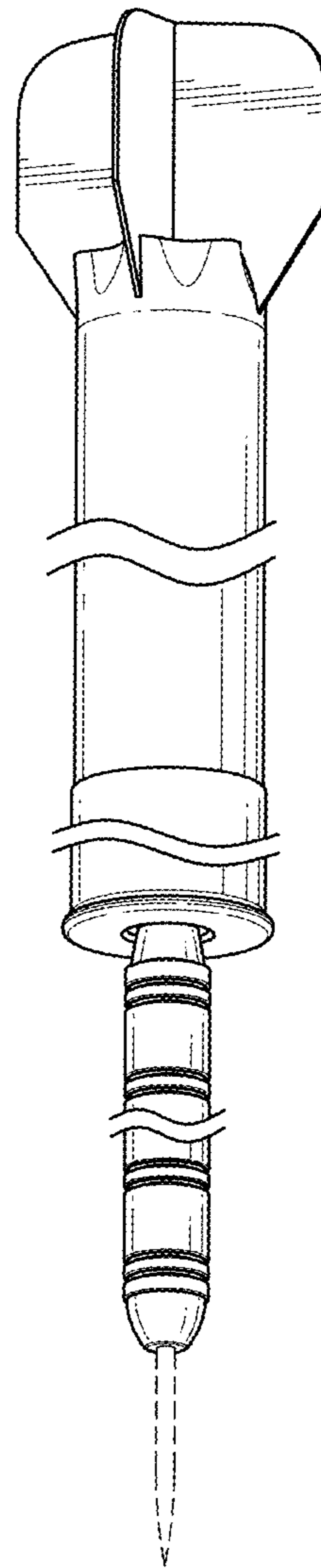


FIG. 8

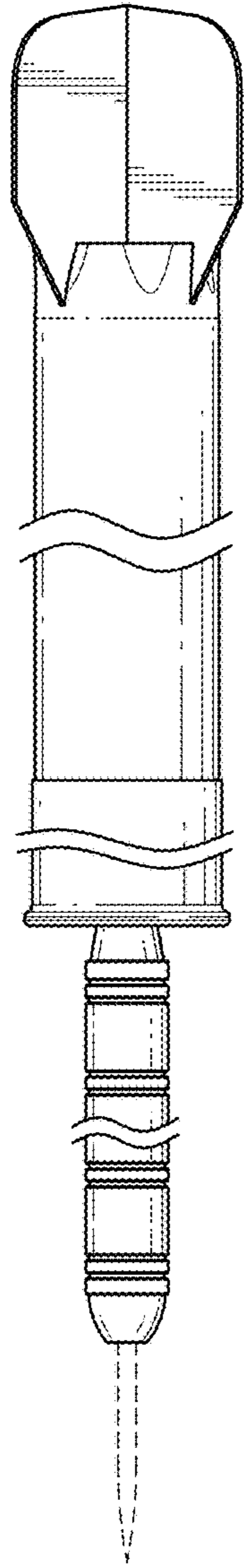


FIG. 9

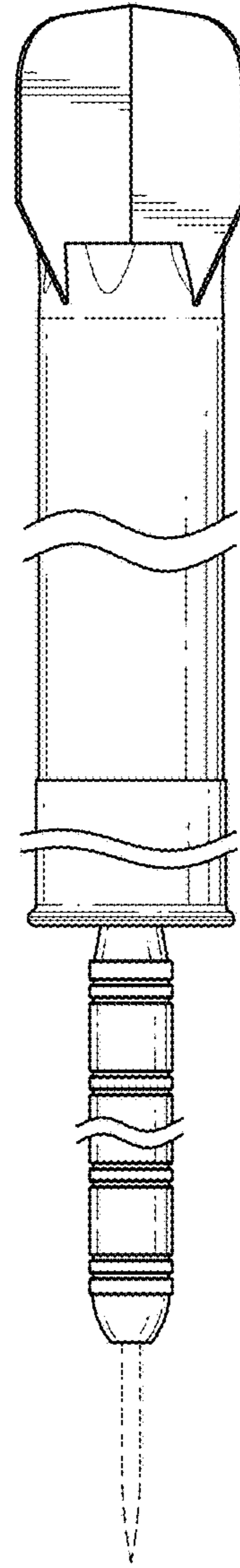


FIG. 10

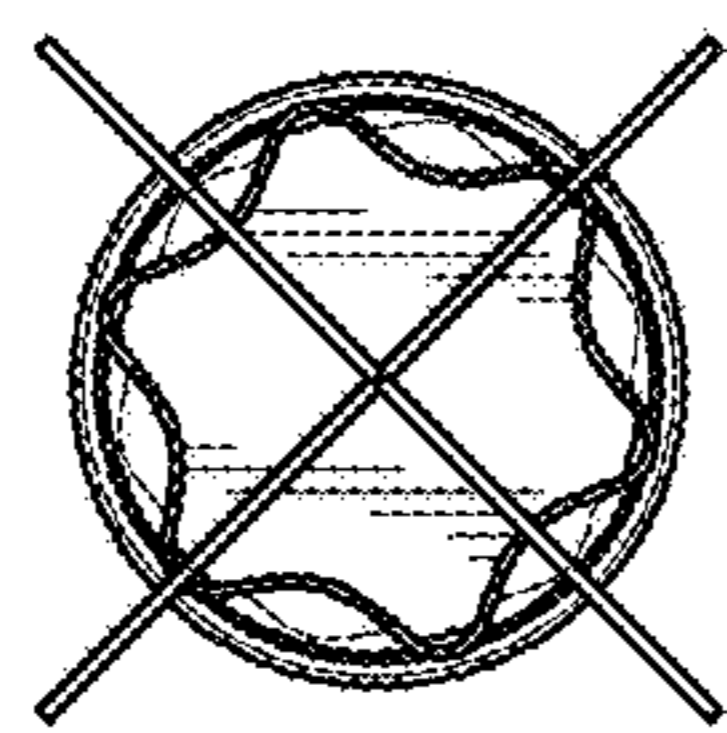


FIG. 11

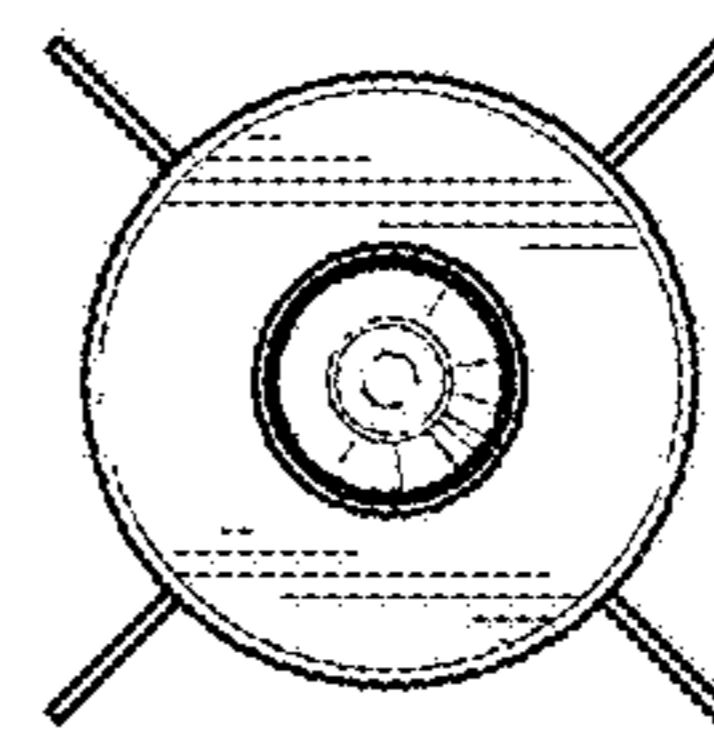


FIG. 12