



US00D791244S

(12) **United States Design Patent**
Sabin et al.

(10) **Patent No.:** **US D791,244 S**
(45) **Date of Patent:** **** Jul. 4, 2017**

(54) **GIFT CARD GEAR PUZZLE**

(71) Applicants: **Paul Sabin**, Needham, MA (US);
Adrienne Jalbert, Waltham, MA (US);
Emily Batt, Merrimack, NH (US)

(72) Inventors: **Paul Sabin**, Needham, MA (US);
Adrienne Jalbert, Waltham, MA (US);
Emily Batt, Merrimack, NH (US)

(73) Assignee: **FIKST, LLC**, Woburn, MA (US)

(**) Term: **15 Years**

(21) Appl. No.: **29/528,413**

(22) Filed: **May 28, 2015**

(51) **LOC (10) Cl.** **21-01**

(52) **U.S. Cl.**
USPC **D21/323; D21/478**

(58) **Field of Classification Search**
USPC D21/323, 478, 811, 812, 300, 310–313,
D21/320, 322, 325, 326, 336, 340, 369,
D21/398, 468, 475, 813, 488; D19/2, 9,
D19/59, 60, 62, 64; 273/153 R, 155,
273/153 S, 317.7, 341.1, 370, 398, 400,
273/406, 108, 108.21, 108.57, 109–124 R,
273/118 D, 127 R, 129 W, 242, 243, 275,
273/280, 287, 138.3–138.5, 440, 441,
273/445–450, 454–461;
40/124.01–124.04, 124.06, 124.08,
40/124.16, 124.19, 1, 409, 426, 427, 446;
463/7, 9, 10, 15, 37, 46–49, 58, 61, 63,
463/64, 68, 69; 446/26, 71, 73, 75, 102,
446/103, 118, 124, 168, 170–172, 176,
446/192, 267, 475, 491; 434/401;
74/412 R, 416, 438, 439, 445
CPC .. A63F 7/00; A63F 7/0088; A63F 7/02; A63F
7/025; A63F 7/04–7/048; A63F 7/3622;
A63F 9/0857; A63F 9/34; A63F 9/00;
A63F 9/0819; A63F 9/0823; A63D 13/00;
A63H 31/00; A63H 31/04; A63H 31/06;

A63H 31/08; G07F 7/0833; G07F 7/08;
G07F 7/0806; G09B 1/00; G09B 25/02;
G09B 23/00; G09B 23/182; G09B 23/188

See application file for complete search history.

(56) **References Cited**

U.S. PATENT DOCUMENTS

329,269 A *	10/1885	Brown	A63F 9/0078
				273/153 R
332,211 A *	12/1885	Protheroe	A63F 9/0826
				273/153 S
636,109 A *	10/1899	Bowers	A63F 9/0823
				273/153 S
814,653 A *	3/1906	Healey	G09B 17/00
				273/153 S

(Continued)

Primary Examiner — Susan Moon Lee

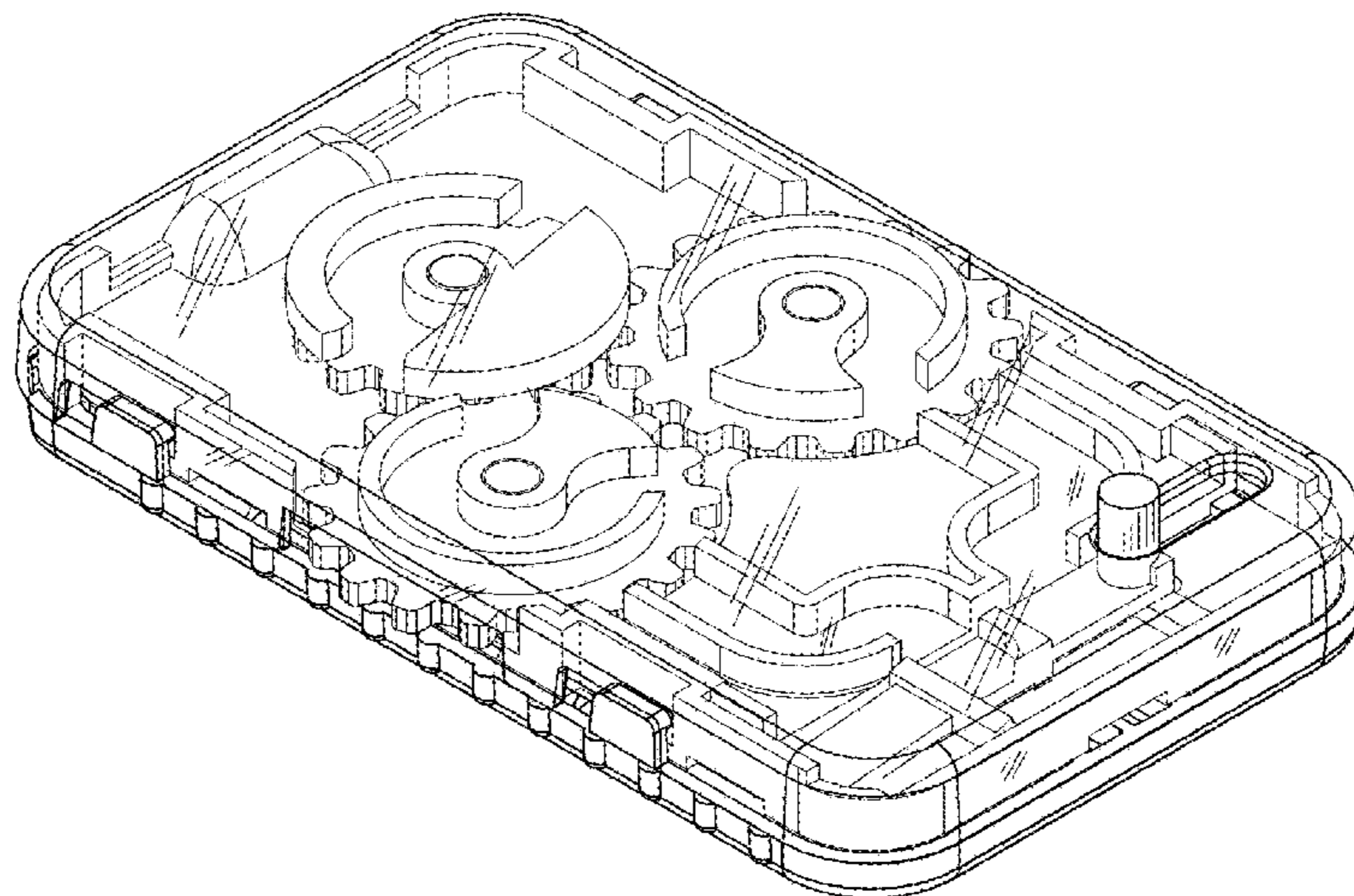
(57) **CLAIM**

The ornamental design for a gift card gear puzzle, as shown and described.

DESCRIPTION

FIG. 1 is a top perspective view of a gift card gear puzzle showing our new design;
FIG. 2 is a bottom perspective view thereof;
FIG. 3 is a top view thereof;
FIG. 4 is a bottom view thereof;
FIG. 5 is a right side view thereof, the left side view is a mirror images of the right side;
FIG. 6 is a back view thereof; and,
FIG. 7 is a front view thereof.
The broken line showing of the words “Puzzlerz!” and “OPEN” depicted on the bottom surface of the invention in FIGS. 2 and 4 is for illustrative purposes only and forms no part of the claimed design.
The gift card gear puzzle is designed to hold a gift card or money.

1 Claim, 4 Drawing Sheets



US D791,244 S

(56)

References Cited

U.S. PATENT DOCUMENTS

908,410 A *	12/1908	Jensen	A63F 9/0826 273/153 S	4,159,593 A *	7/1979	Miller	A63F 7/02 273/456
911,461 A *	2/1909	Trout	A63F 9/0078 273/153 R	4,239,222 A *	12/1980	Hori	A63F 7/025 273/121 R
1,046,633 A *	12/1912	Oliver	G06M 1/343 235/144 MG	4,244,572 A *	1/1981	Hatakeyama	A63F 7/00 273/119 A
1,560,921 A *	11/1925	Von Bultzingslowen ..	A63F 3/00634 273/153 S	4,258,918 A *	3/1981	Nishimiya	A63F 7/386 273/110
1,948,784 A *	2/1934	Casler	A63F 7/025 273/129 R	D260,537 S *	9/1981	Mayuzumi	D21/312
1,995,263 A *	3/1935	Lindstrom	A63F 7/025 273/121 R	D260,820 S *	9/1981	Kato	D21/323
2,095,046 A *	10/1937	Wilner	A63F 9/0819 273/153 R	4,287,680 A *	9/1981	Allen	A63F 7/3622 446/172
2,140,424 A *	12/1938	Friedman	G09C 1/04 380/57	D261,911 S *	11/1981	Mayuzumi	D21/340
2,199,327 A *	4/1940	Ahrens	A63F 7/027 273/120 R	4,299,387 A *	11/1981	Nishimiya	A63F 7/025 273/119 A
D141,391 S *	5/1945	Wilson	D21/478	D263,862 S *	4/1982	Mayuzumi	D21/323
2,477,441 A *	7/1949	Cole	A63H 33/042 434/401	D264,097 S *	4/1982	Mayuzumi	D21/313
2,545,131 A *	3/1951	Ayres	A63F 3/0457 434/401	D264,098 S *	4/1982	Mayuzumi	D21/340
2,692,443 A *	10/1954	Milligan	G09B 25/02 434/401	D264,103 S *	4/1982	Yoshimura	D21/320
2,994,154 A *	8/1961	McCaa	A63H 33/042 248/220.42	4,335,878 A *	6/1982	Nishimiya	A63F 7/305 273/119 R
3,133,358 A *	5/1964	Schramm	G09B 19/02 235/61 A	D265,747 S *	8/1982	Takahashi	D21/311
3,134,593 A *	5/1964	Mouigal	A63F 9/0819 273/242	D265,917 S *	8/1982	Hamaguchi	D21/311
3,172,666 A *	3/1965	Ryan	G09B 25/02 273/243	4,361,327 A *	11/1982	Kurita	A63F 7/04 273/119 R
3,193,293 A *	7/1965	Schaper	A63F 3/00261 273/153 R	4,395,041 A *	7/1983	Goldfarb	A63F 7/0076 273/119 A
3,212,200 A *	10/1965	Lundberg	G09B 23/04 235/74	D270,073 S *	8/1983	Morey	434/388
D211,806 S *	7/1968	Genin	D21/512	4,468,033 A *	8/1984	Minami	A63F 9/0823 273/117
3,417,996 A *	12/1968	Janiszewski	A63F 9/0819 273/157 R	4,487,417 A *	12/1984	Engel	A63F 9/083 273/115
3,436,013 A *	4/1969	Campbell	G06C 15/02 235/74	4,589,663 A *	5/1986	Doroslovac	A63F 9/0819 273/155
3,437,338 A *	4/1969	Giraud	A63F 11/0011 273/138.1	D286,060 S *	10/1986	Morey	D19/62
D217,272 S *	4/1970	Genin	D21/528	D286,651 S *	11/1986	Morey	D19/62
3,577,661 A *	5/1971	Usrey	G09B 19/02 235/114	4,784,387 A *	11/1988	Liversidge	A63F 9/0819 273/275
3,592,471 A *	7/1971	Swimmer	A63F 9/00 273/109	5,100,142 A *	3/1992	Cannata	A63F 9/0819 273/153 S
3,608,233 A *	9/1971	Aoki	A63H 33/042 446/118	5,135,225 A *	8/1992	Pszotka	A63F 9/0823 273/153 S
3,628,795 A *	12/1971	Hopkins	A63F 9/181 273/161	5,188,556 A *	2/1993	Hartelius	A63F 7/3622 124/78
3,655,194 A *	4/1972	Pierson	A63F 3/00261 273/153 S	5,194,031 A *	3/1993	Sahler	A63H 31/00 446/103
3,758,113 A *	9/1973	Trbovich	A63F 7/06 273/108.4	5,244,208 A *	9/1993	Kalapacs	A63F 9/0823 273/153 S
D228,560 S *	10/1973	Trbovich	D21/323	5,259,803 A *	11/1993	Lyman	A63H 31/00 446/103
3,897,063 A *	7/1975	Lehwalder	A63F 3/00895 108/103	5,310,184 A *	5/1994	Grist	A63F 7/041 273/153 R
3,965,610 A *	6/1976	Den Ouden	A63H 33/042 434/401	5,346,420 A *	9/1994	Glickman	A63H 33/042 446/124
3,975,019 A *	8/1976	Barlow	A63F 7/027 200/61.11	5,423,707 A *	6/1995	Glickman	A63H 33/042 446/124
D243,780 S *	3/1977	Yamagata	D21/323	5,634,641 A *	6/1997	Roman	A63F 9/0819 273/153 R
D243,781 S *	3/1977	Yamagata	D21/312	D383,509 S *	9/1997	Karasaw	446/471
D245,354 S *	8/1977	Yamagata	D21/320	D394,286 S *	5/1998	Hirose	D21/528
D245,355 S *	8/1977	Yamagata	D21/320	5,857,674 A *	1/1999	Legrand	A63F 3/00145 273/153 S
4,058,317 A *	11/1977	McCarthy	A63F 3/00261 273/153 R	D405,480 S *	2/1999	Yamazaki	D21/475
D247,859 S *	5/1978	Sato	D21/312	5,983,439 A *	11/1999	Hojnacki	B60S 1/166 15/250.17
				6,183,332 B1 *	2/2001	Yamazaki	A63H 31/00 446/103
				D442,250 S *	5/2001	Leung	D21/811
				6,257,086 B1 *	7/2001	Petersen	A63H 31/00 74/425
				6,361,048 B1 *	3/2002	Lynn	A63F 3/00006 273/243
				6,412,362 B1 *	7/2002	Leung	A63H 31/00 446/118
				6,508,467 B1 *	1/2003	Guindon	A63F 9/0823 273/153 S

(56)

References Cited

U.S. PATENT DOCUMENTS

6,561,866 B1 *	5/2003	Lee	A63H 33/06 446/103	D720,004 S *	12/2014	Roberts	G06Q 20/105 D19/9
6,821,182 B2 *	11/2004	Polick	G09B 1/00 281/15.1	D723,632 S *	3/2015	Kanbar	D21/488
D528,162 S *	9/2006	Lucas	D19/62	9,072,962 B1 *	7/2015	Grist	A63F 7/04
D528,865 S *	9/2006	Barton	D7/554.2	D774,146 S *	12/2016	Stoyanov	D21/478
D538,346 S *	3/2007	Rowe	D19/59	2002/0065016 A1 *	5/2002	Huang	A63H 33/042 446/103
7,309,064 B1 *	12/2007	Engel	A63F 9/0823 273/153 S	2006/0157554 A1 *	7/2006	Halbur	A63F 7/041 235/380
7,316,357 B2 *	1/2008	Lindahl	G06K 19/00 235/380	2007/0194128 A1 *	8/2007	Coe	A45C 11/00 235/486
7,520,425 B2 *	4/2009	Clegg	G06K 7/006 150/147	2007/0241198 A1 *	10/2007	Halbur	G06Q 20/3437 235/487
7,604,234 B2 *	10/2009	Cutrofello	A63F 9/0819 273/153 S	2008/0245875 A1 *	10/2008	Holt	G06Q 20/363 235/487
D609,089 S *	2/2010	Knox, Jr.	D9/432	2009/0050693 A1 *	2/2009	Clegg	B42D 15/022 235/380
D613,330 S *	4/2010	Ho	D18/2	2009/0055253 A1 *	2/2009	Halbur	G06Q 30/0215 705/14.17
7,861,926 B2 *	1/2011	Sheldon	G06Q 20/3415 235/380	2009/0085286 A1 *	4/2009	Grist	A63F 7/025 273/121 D
D634,780 S *	3/2011	Schumann	D19/9	2009/0108078 A1 *	4/2009	Schumann	G06Q 20/105 235/492
D635,187 S *	3/2011	Pompei	D19/9	2009/0108079 A1 *	4/2009	Reynolds	G06Q 20/3433 235/494
D636,817 S *	4/2011	Elder	D19/62	2009/0166436 A1 *	7/2009	Haugen	G06Q 20/105 235/494
D652,447 S *	1/2012	Knox, Jr.	D19/2	2009/0308920 A1 *	12/2009	Holt	A45C 11/182 235/379
8,151,991 B2 *	4/2012	Ehrlich	B65D 73/0028 206/459.5	2011/0161187 A1 *	6/2011	Albrecht	A45C 11/182 705/17
8,220,799 B2 *	7/2012	Pompei	G06Q 20/204 273/285					
D672,401 S *	12/2012	Dawes	D21/488					
8,683,721 B1 *	4/2014	Bogdanski	A63F 7/022 40/124.02					

* cited by examiner

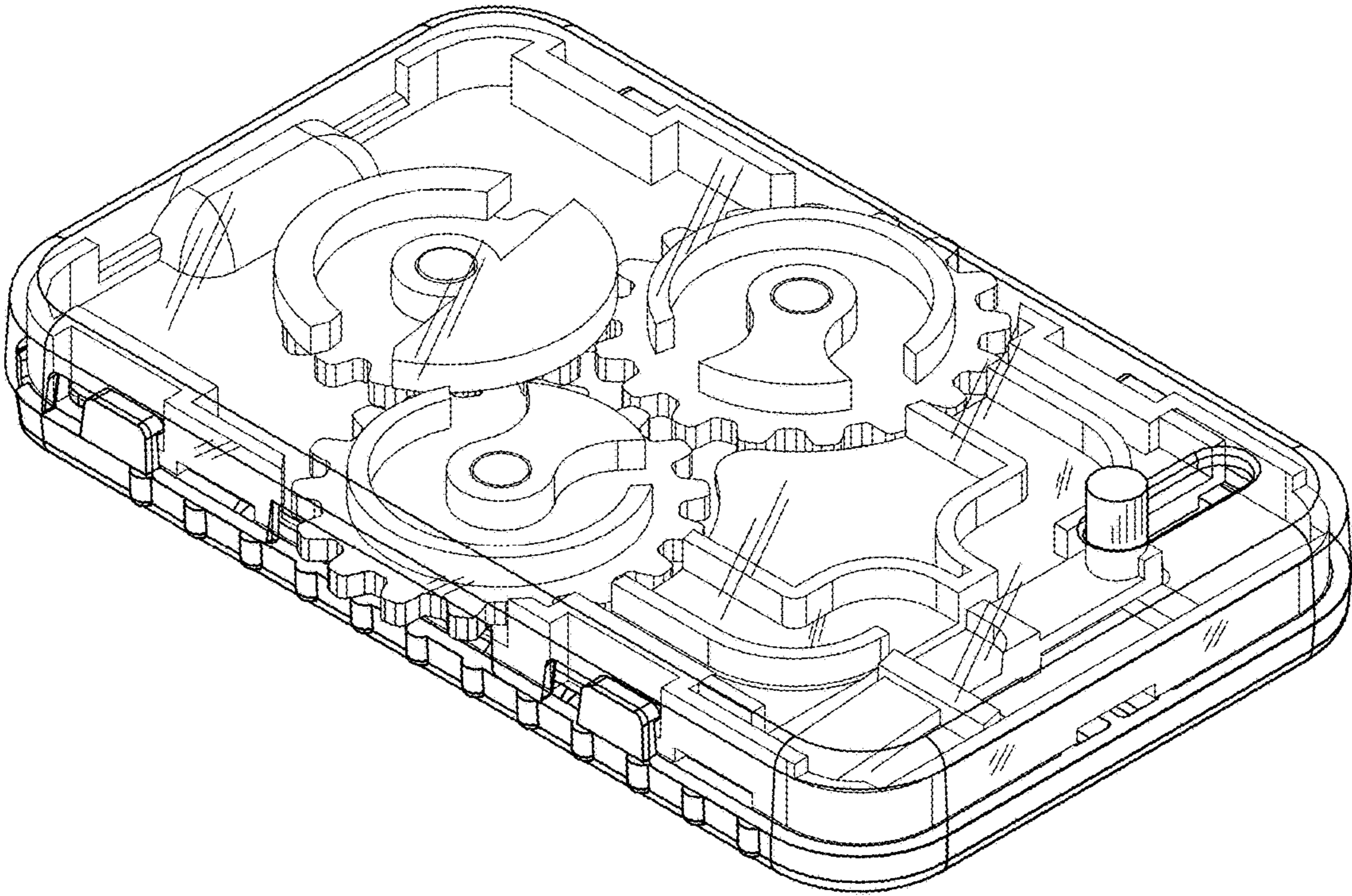


FIG 1

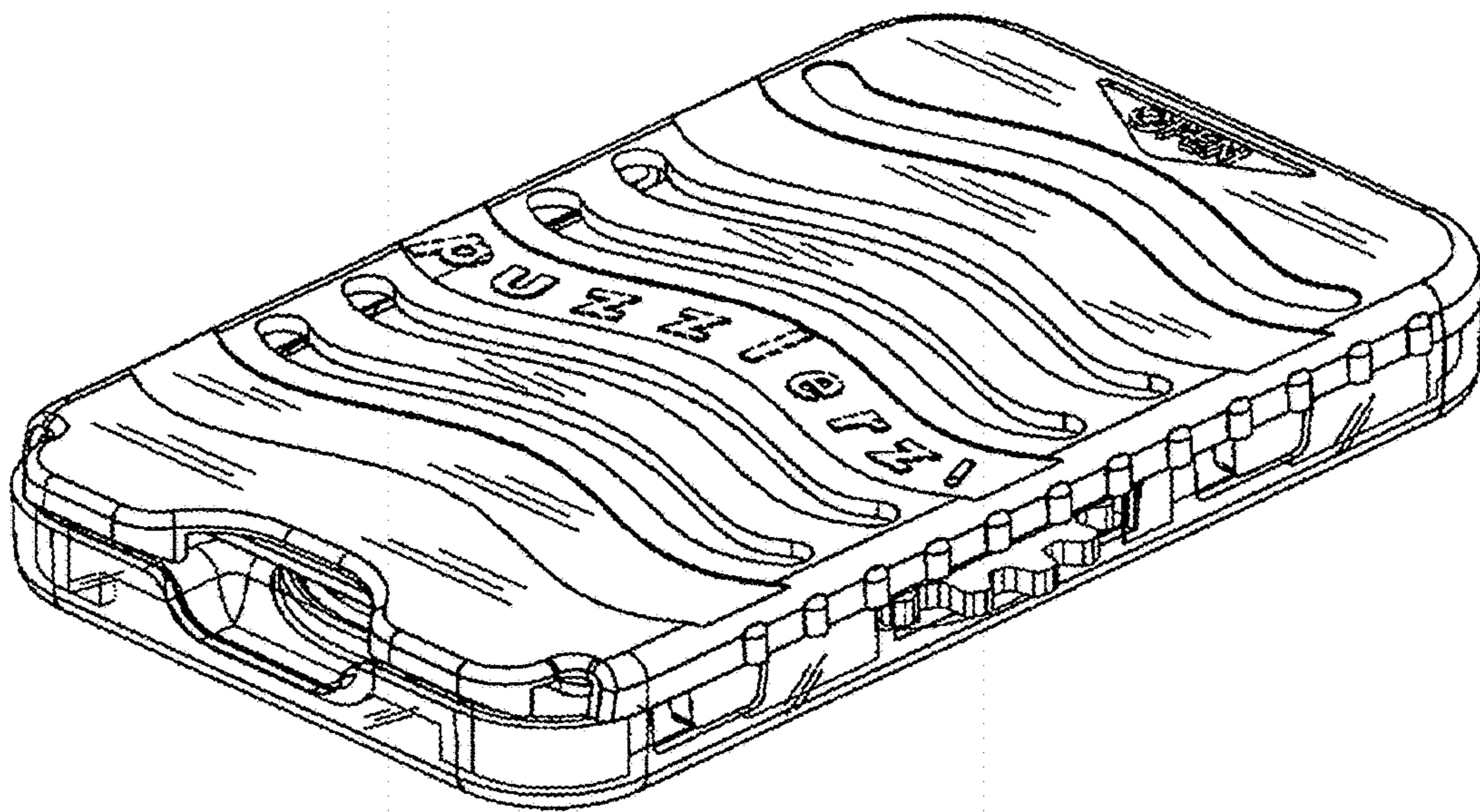


FIG 2

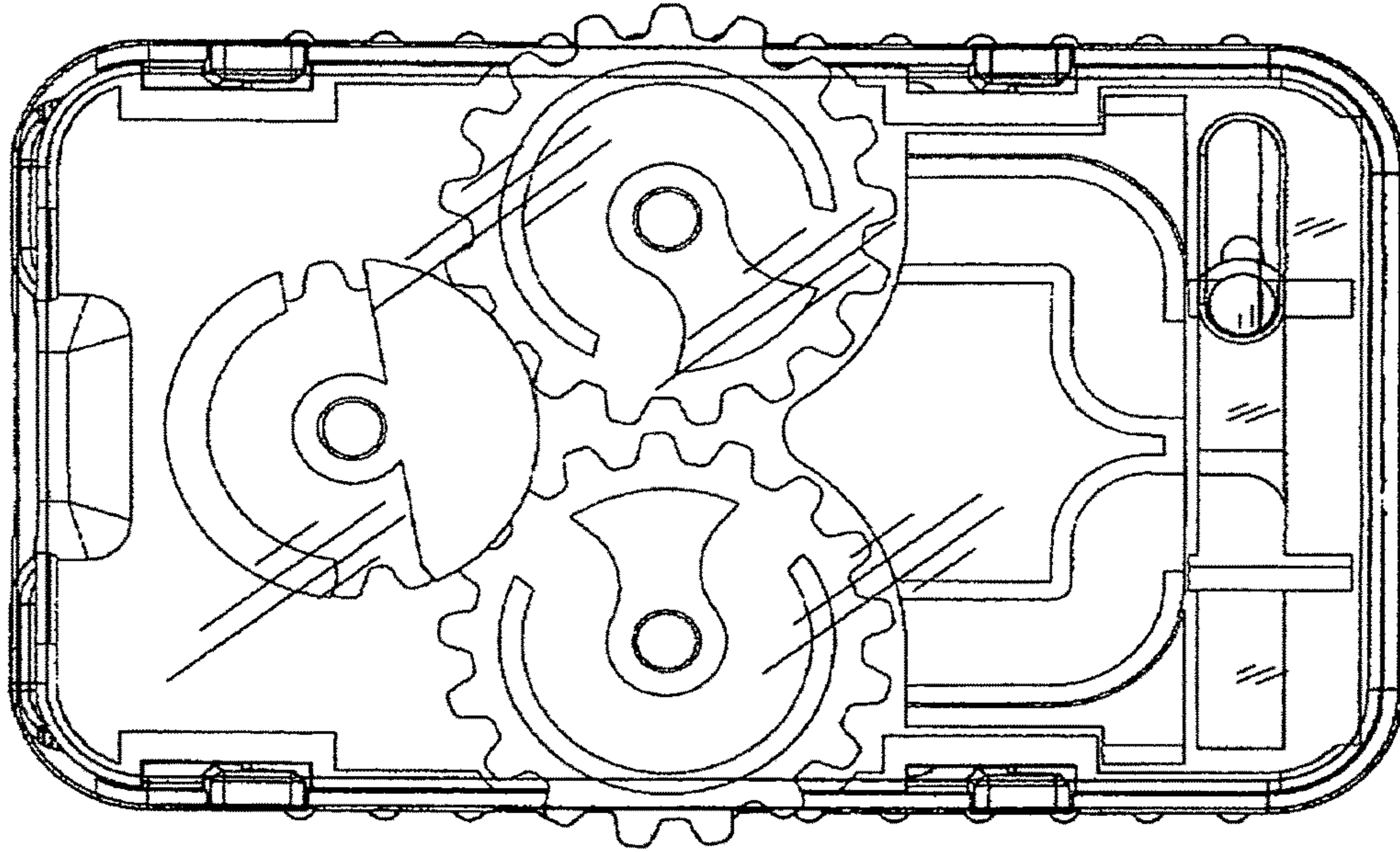


FIG 3

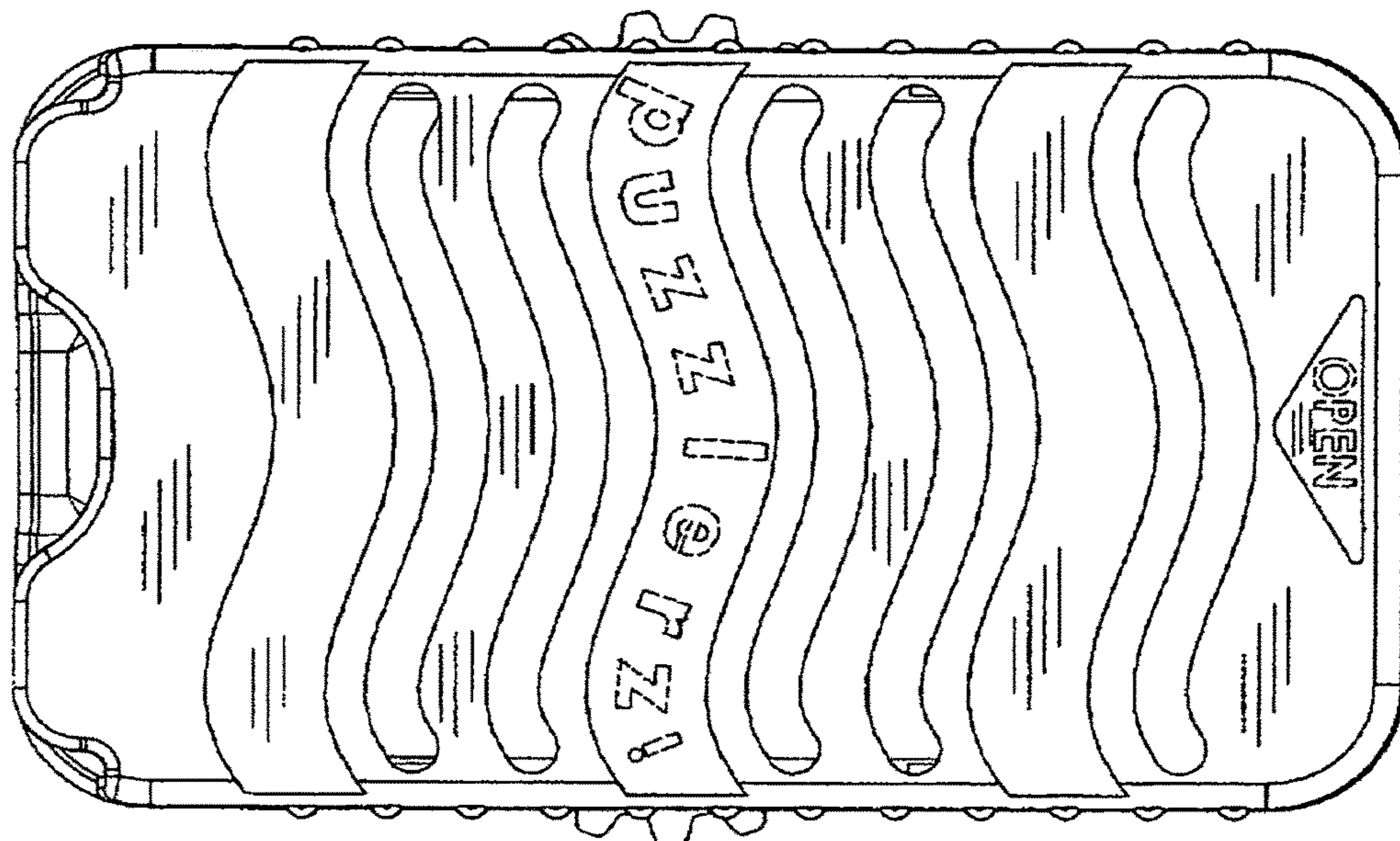


FIG 4

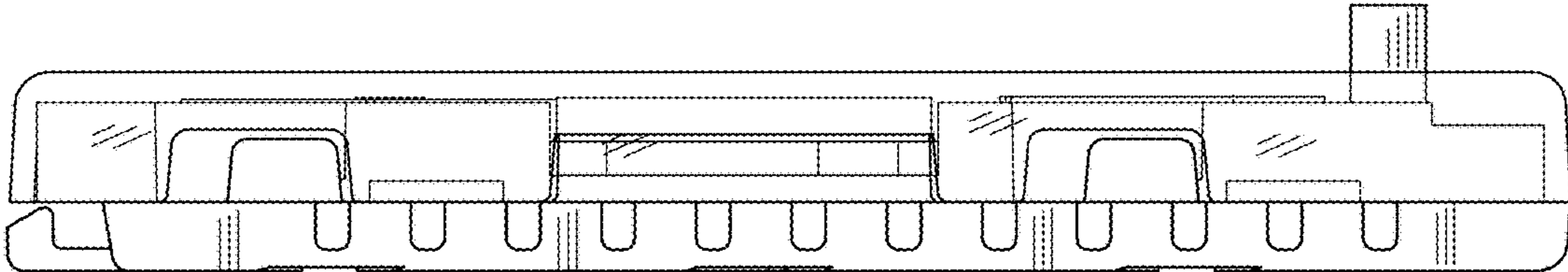


FIG 5

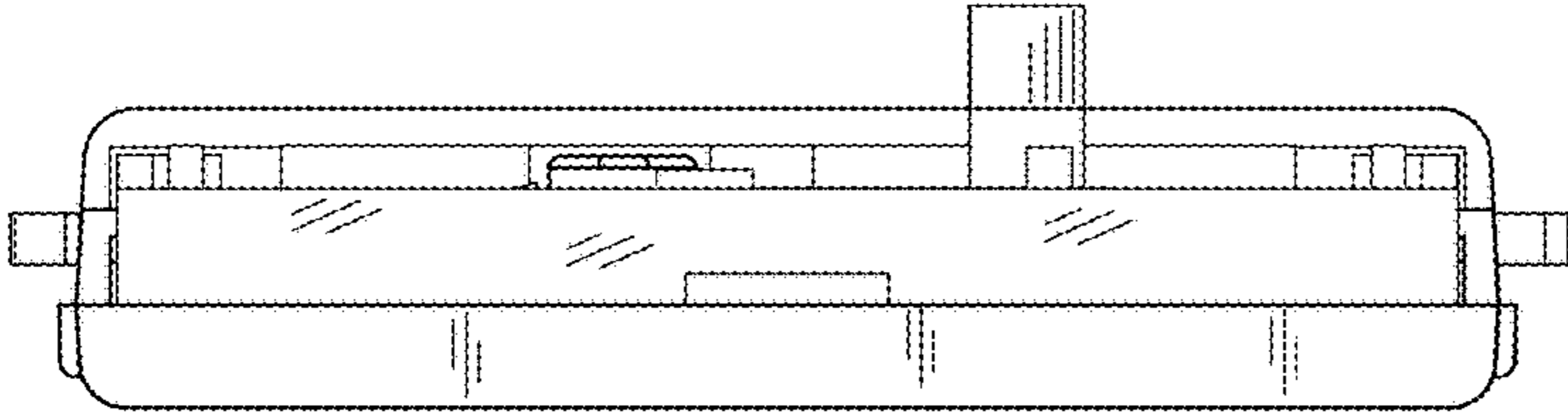


FIG 6

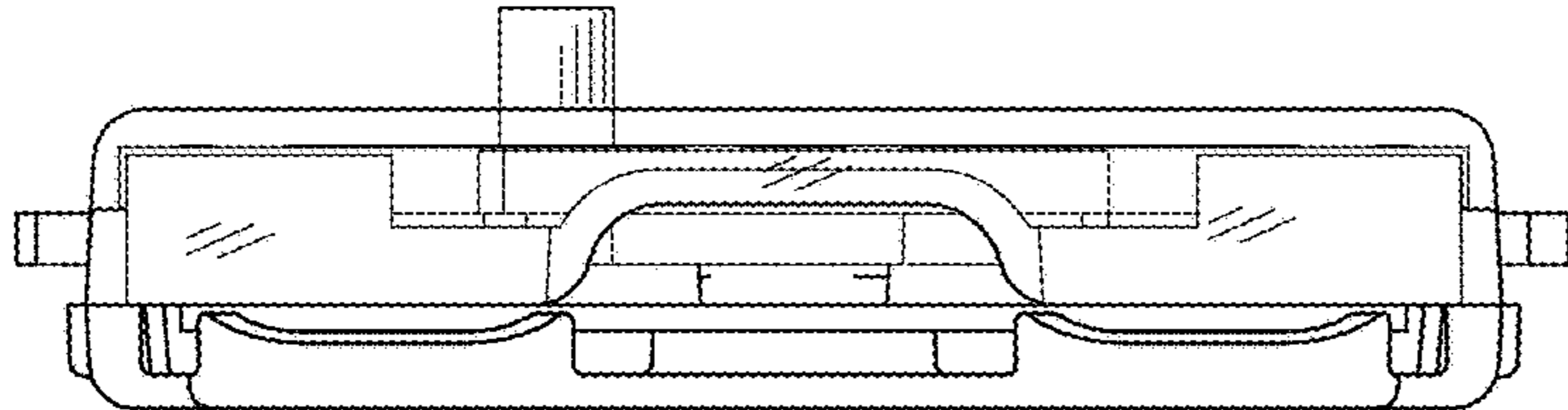


FIG 7