



US00D791243S

(12) **United States Design Patent** (10) **Patent No.:** **US D791,243 S**  
**Loew** (45) **Date of Patent:** **\*\* Jul. 4, 2017**

- (54) **ILLUMINATED SIGN**
- (71) Applicant: **BOT HOME AUTOMATION, INC.**,  
Santa Monica, CA (US)
- (72) Inventor: **Christopher Loew**, Palto Alto, CA  
(US)
- (73) Assignee: **BOT Home Automation, Inc.**, Santa  
Monica, CA (US)
- (\*\*) Term: **15 Years**
- (21) Appl. No.: **29/566,096**
- (22) Filed: **May 26, 2016**
- (51) **LOC (10) Cl.** ..... **20-02**
- (52) **U.S. Cl.**  
USPC ..... **D20/41**
- (58) **Field of Classification Search**  
USPC ..... D3/10, 207, 219, 318; D20/10, 22, 27,  
D20/28, 41, 99; D10/109.1, 113.4  
CPC ..... G09F 1/00; G09F 1/02; G09F 2003/023;  
G09F 2003/0261; G09F 2003/0264; G09F  
7/00; G09F 3/206; G09F 2007/1807;  
G09F 13/00; G09F 13/04; G09F  
2013/0427; G09F 2013/0495; G09D 3/00  
See application file for complete search history.

(56) **References Cited**

U.S. PATENT DOCUMENTS

D59,626 S *	11/1921	Dunlapp	.....	D10/109.1
D60,872 S *	4/1922	Minoff	.....	D10/109.1
3,102,352 A *	9/1963	White	.....	G09F 7/18 248/219.2
D213,907 S *	4/1969	Woother	.....	D3/207
D307,213 S *	4/1990	Scungio	.....	D3/207
D315,695 S *	3/1991	DeCaro	.....	D10/109.1
D330,686 S *	11/1992	Campagna	.....	D10/114.9
D382,218 S *	8/1997	Hall	.....	D10/114.9
D397,364 S *	8/1998	Barrett	.....	D10/109.1

D399,260 S *	10/1998	Thimote	.....	D10/109.1
D407,987 S *	4/1999	Dittmore	.....	D10/109.1
D410,861 S *	6/1999	De Winter	.....	D10/109.1
D425,812 S *	5/2000	Bodo	.....	D10/113.4
D438,134 S *	2/2001	Sloven	.....	D10/109.1
D440,512 S *	4/2001	Mugleston	.....	D10/109.1
D446,379 S *	8/2001	Taylor	.....	D99/29
6,519,884 B1 *	2/2003	Duhamel	.....	G09F 7/00 40/606.19
D479,561 S *	9/2003	Meyer	.....	D20/22
D487,406 S *	3/2004	Anderson	.....	D10/109.1

(Continued)

*Primary Examiner* — Mary Ann Calabrese  
*Assistant Examiner* — Sloan Rozin  
(74) *Attorney, Agent, or Firm* — White and Williams LLP

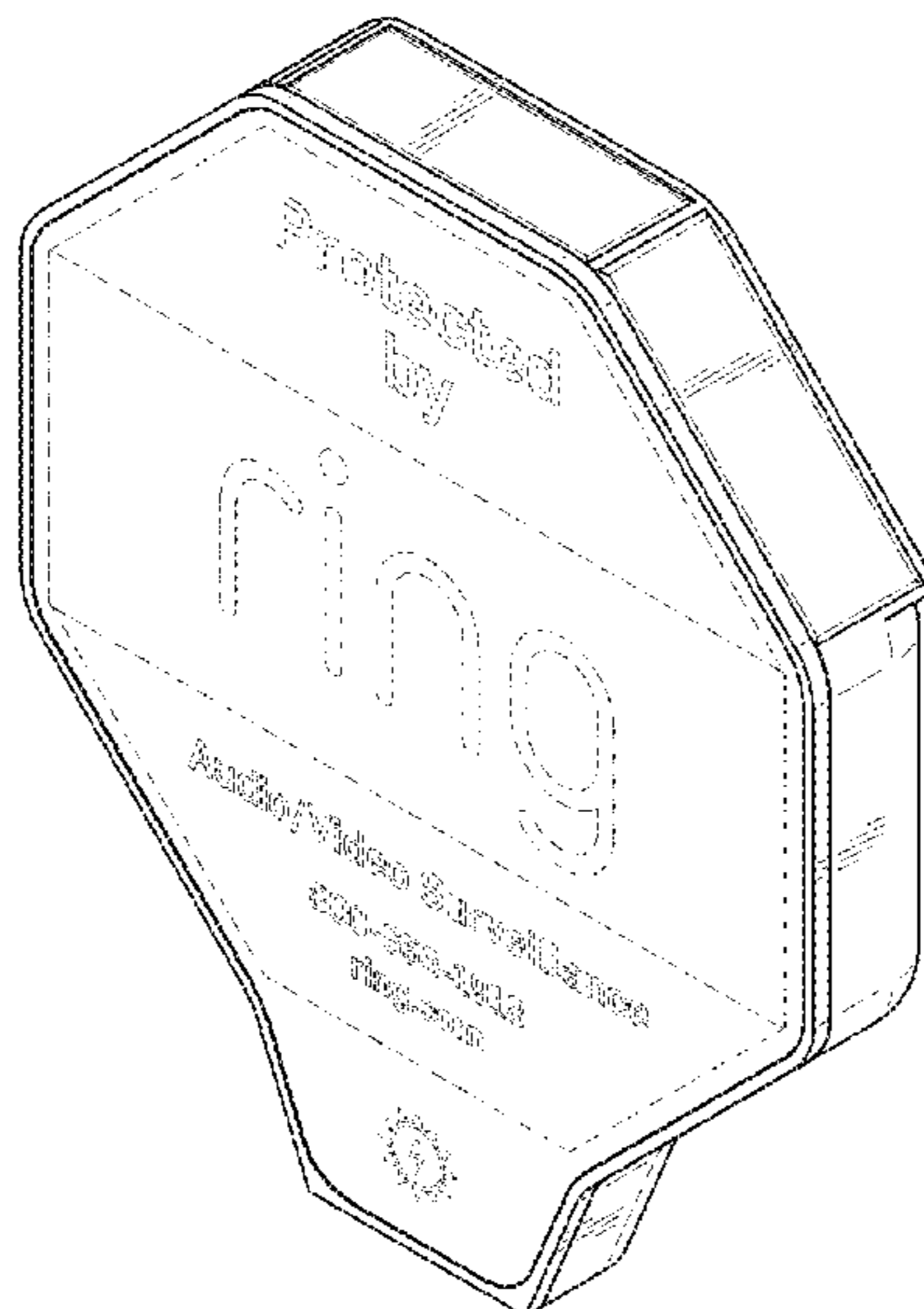
(57) **CLAIM**

The ornamental design for an illuminated sign, as shown and described.

**DESCRIPTION**

FIG. 1 is a front prospective view of the illuminated sign according to the present design;  
FIG. 2 is a front elevational view of the illuminated sign of FIG. 1;  
FIG. 3 is a rear elevational view of the illuminated sign of FIG. 1;  
FIG. 4 is a right-side elevational view of the illuminated sign of FIG. 1, the left-side elevational view being a mirror image thereof;  
FIG. 5 is a top plan view of the illuminated sign of FIG. 1;  
FIG. 6 is a bottom plan view of the illuminated sign of FIG. 1; and,  
FIG. 7 is a front perspective view of the illuminated sign of FIG. 1, showing the illuminated sign in a manner of use.  
The broken line showing of elements on the illuminated sign illustrate portions of the article and form no part of the claimed design.

**1 Claim, 6 Drawing Sheets**



(56)

**References Cited**

U.S. PATENT DOCUMENTS

D498,162 S *	11/2004	Evans .....	D10/109.1
D561,260 S *	2/2008	Ferry .....	D20/19
D664,055 S *	7/2012	Call .....	D10/109.1
D754,014 S *	4/2016	Hart .....	D10/109.1
2014/0165437 A1 *	6/2014	Barker .....	G09F 7/00 40/607.01

\* cited by examiner

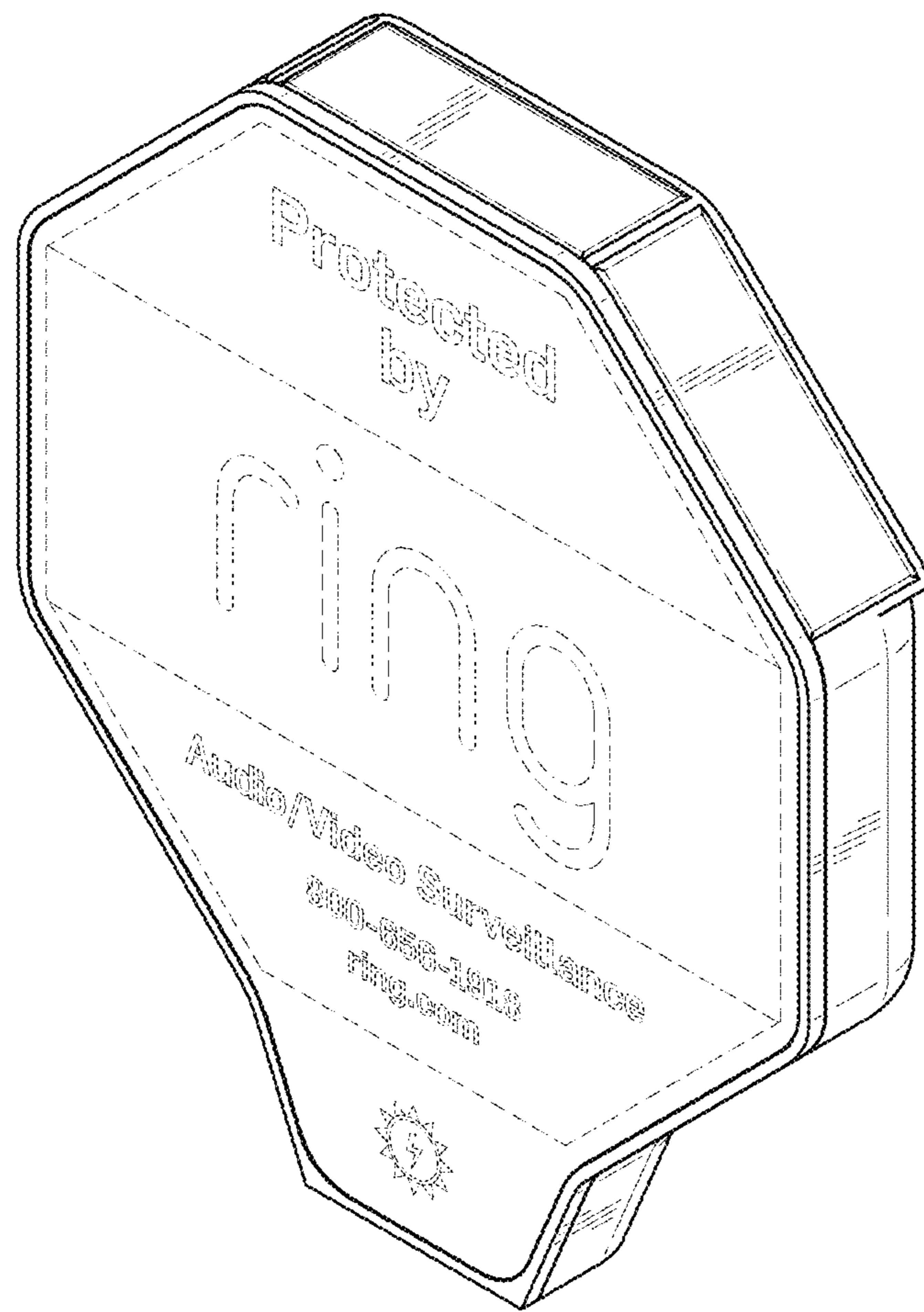


FIG. 1



FIG. 2

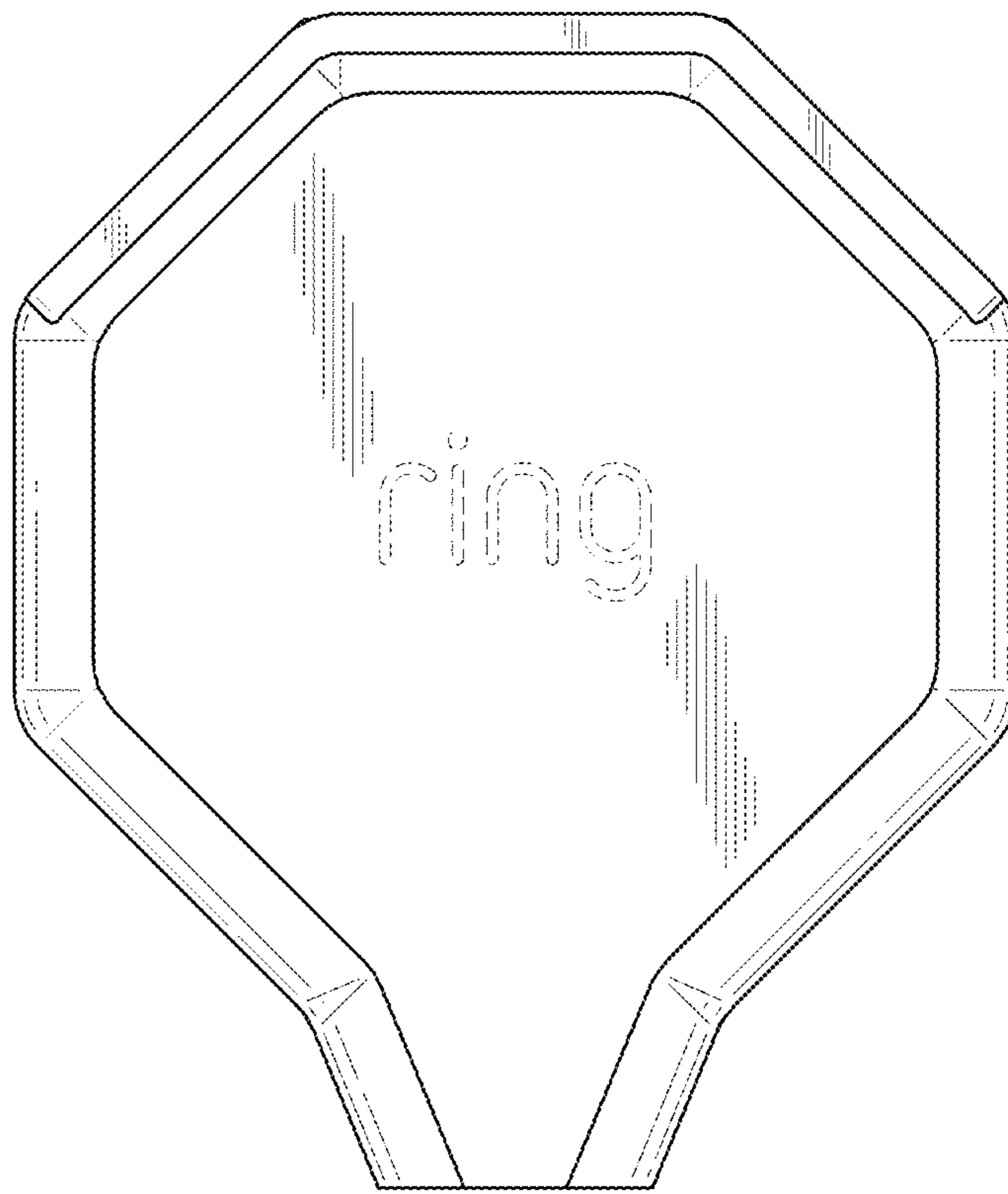


FIG. 3

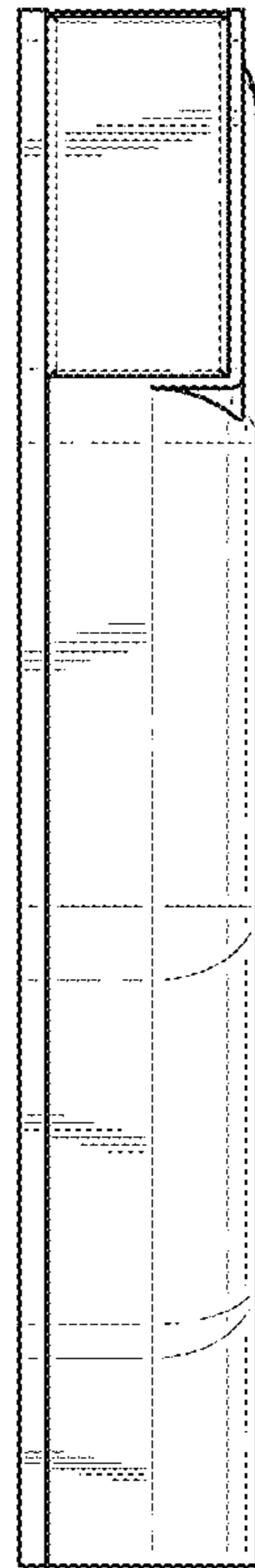


FIG. 4

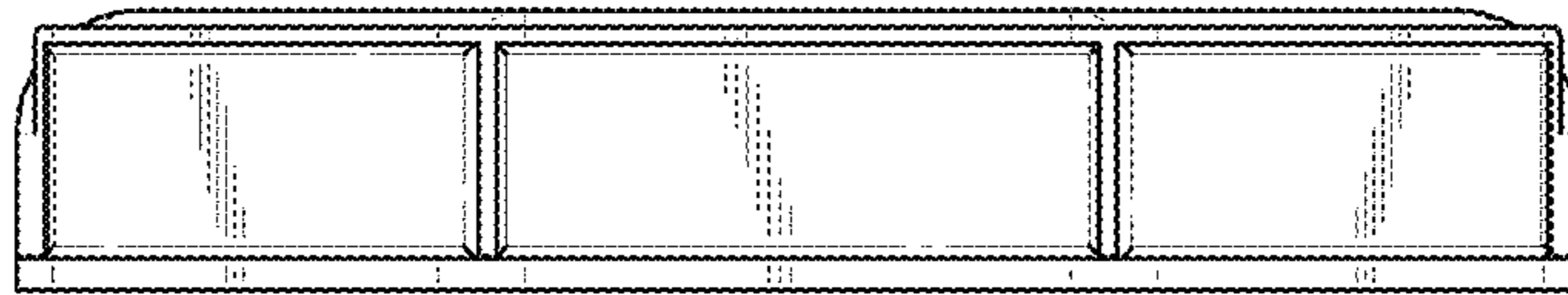


FIG. 5

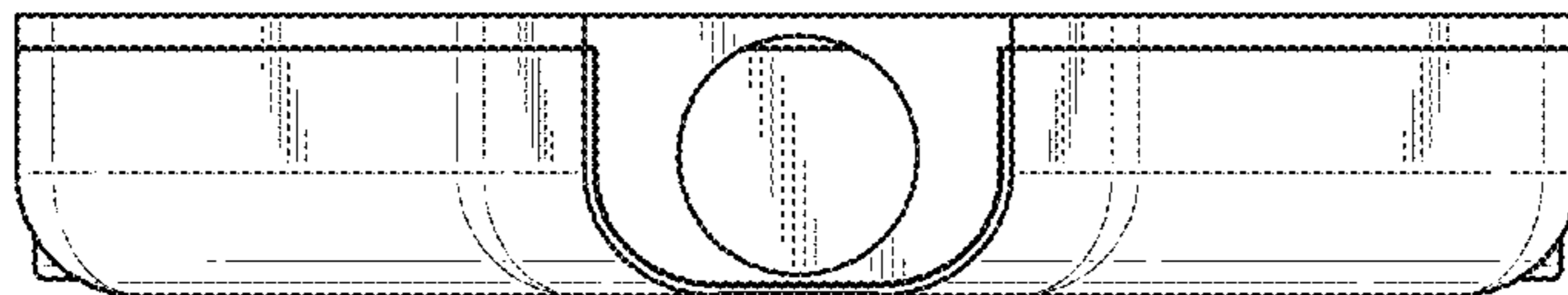


FIG. 6

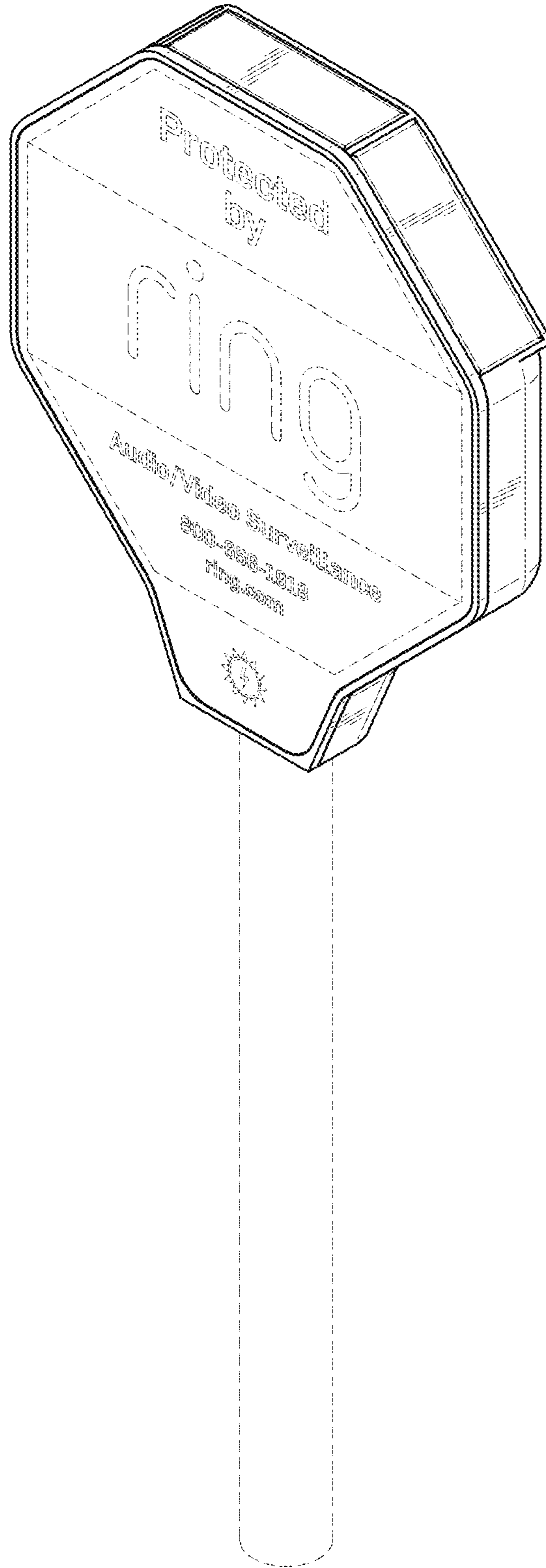


FIG. 7