



US00D791241S

(12) **United States Design Patent** (10) **Patent No.:** **US D791,241 S**  
**Lemberger et al.** (45) **Date of Patent:** **\*\* Jul. 4, 2017**

(54) **ILLUMINATED SIGN**  
(71) Applicant: **BOT HOME AUTOMATION, INC.**,  
Santa Monica, CA (US)  
(72) Inventors: **Elliott Lemberger**, Santa Monica, CA  
(US); **James Siminoff**, Pacific  
Palisades, CA (US)  
(73) Assignee: **BOT Home Automation, Inc.**, Santa  
Monica, CA (US)

D424,734 S \* 5/2000 Gager ..... D20/41  
D429,177 S \* 8/2000 Jennings ..... D10/113.4  
D436,135 S \* 1/2001 Emert ..... D20/10  
D440,512 S \* 4/2001 Mugleston ..... D10/109.1  
D444,941 S \* 7/2001 Pisarevsky ..... D3/207  
D475,317 S \* 6/2003 Fernandez ..... D11/79  
D501,891 S \* 2/2005 Kaplan ..... D20/41  
D559,577 S \* 1/2008 Quinn ..... D6/300  
D570,597 S \* 6/2008 Klein ..... D14/484.1  
D598,053 S \* 8/2009 Sanchez ..... D14/159  
D598,054 S \* 8/2009 Grimshaw ..... D20/39  
D651,255 S \* 12/2011 Ingouville ..... D20/41

(Continued)

(\*\*) Term: **15 Years**

*Primary Examiner* — Mary Ann Calabrese

*Assistant Examiner* — Sloan Rozin

(21) Appl. No.: **29/563,580**

(74) *Attorney, Agent, or Firm* — White and Williams LLP

(22) Filed: **May 5, 2016**

(57) **CLAIM**

(51) **LOC (10) Cl.** ..... **20-02**

The ornamental design for an illuminated sign, as shown and described.

(52) **U.S. Cl.**

USPC ..... **D20/41**

(58) **Field of Classification Search**

**DESCRIPTION**

USPC ..... D3/10, 207, 219, 318; D20/10, 22, 27,  
D20/28, 41, 99; D10/109.1, 113.4  
CPC ..... G09F 1/00; G09F 1/02; G09F 2003/023;  
G09F 2003/0261; G09F 2003/0208; G09F  
2003/0264; G09F 7/00; G09F 3/206;  
G09F 2007/1807; G09F 13/00; G09F  
13/04; G09F 2013/0427; G09F  
2013/0495; G09D 3/00

FIG. 1 is a front prospective view of the illuminated sign according to the present design;  
FIG. 2 is a front elevational view of the illuminated sign of FIG. 1;  
FIG. 3 is a rear elevational view of the illuminated sign of FIG. 1;  
FIG. 4 is a right-side elevational view of the illuminated sign of FIG. 1, the left-side elevational view being a mirror image thereof;  
FIG. 5 is a top plan view of the illuminated sign of FIG. 1;  
FIG. 6 is a bottom plan view of the illuminated sign of FIG. 1; and,  
FIG. 7 is a front perspective view of the illuminated sign of FIG. 1, showing the illuminated sign in a manner of use.  
The broken line showing of elements on the illuminated sign illustrate portions of the article and form no part of the claimed design.

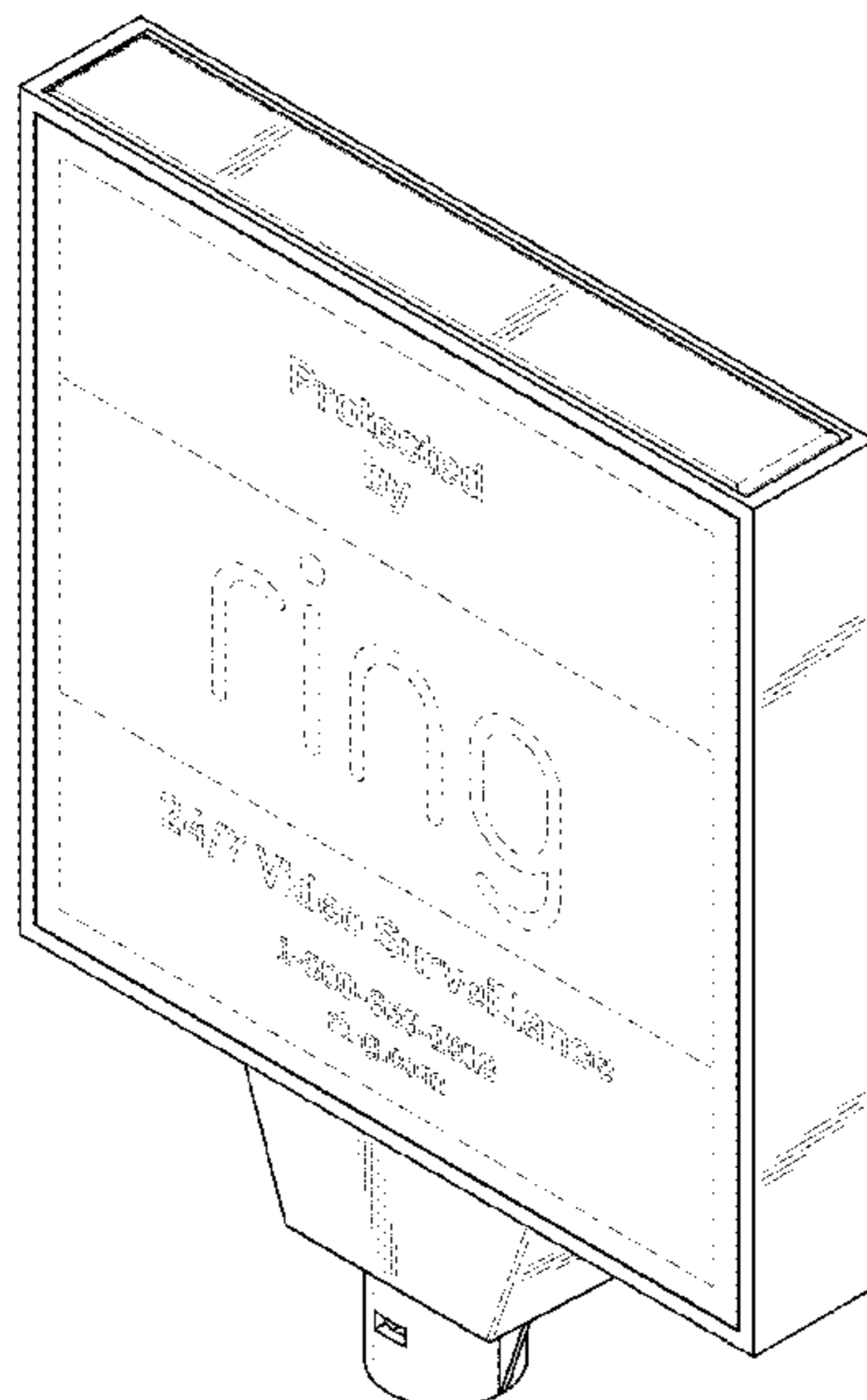
See application file for complete search history.

(56) **References Cited**

**U.S. PATENT DOCUMENTS**

D99,928 S \* 6/1936 Chernow ..... D11/43  
D116,338 S \* 8/1939 Gist ..... D20/41  
D202,866 S \* 11/1965 Handley ..... D20/10  
D265,746 S \* 8/1982 Robillard ..... D20/41  
4,930,234 A \* 6/1990 Schmidt ..... G09F 3/06  
40/1.5  
D375,979 S \* 11/1996 Adams ..... D20/17  
D413,934 S \* 9/1999 Kleihues ..... D20/41

**1 Claim, 6 Drawing Sheets**



(56)

**References Cited**

U.S. PATENT DOCUMENTS

D711,467 S *	8/2014	Rhodes .....	D19/113
D786,140 S *	5/2017	Bloch .....	D10/109.1
2014/0165437 A1 *	6/2014	Barker .....	G09F 7/00 40/607.01

\* cited by examiner

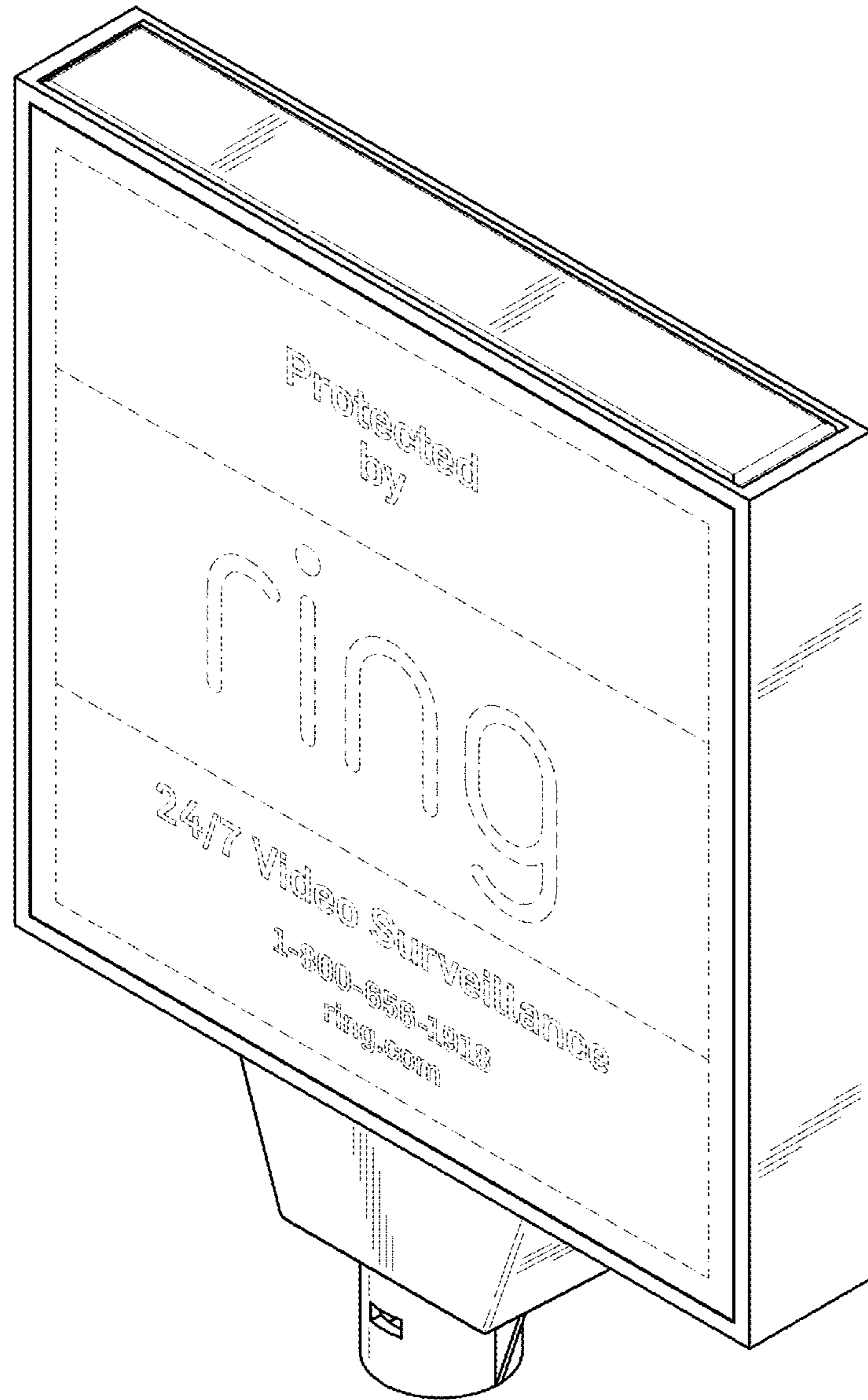


FIG. 1



FIG. 2

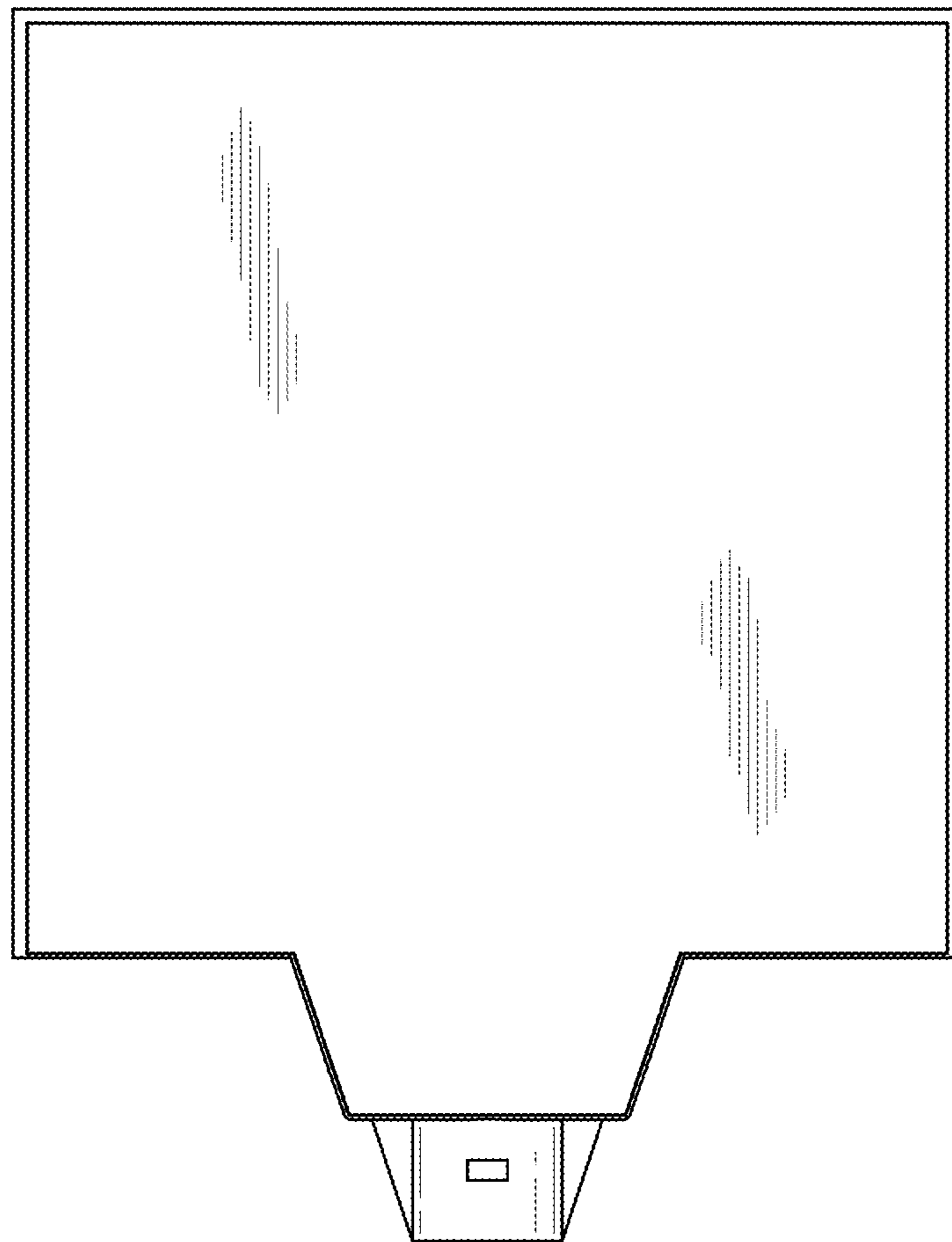


FIG. 3



FIG. 4

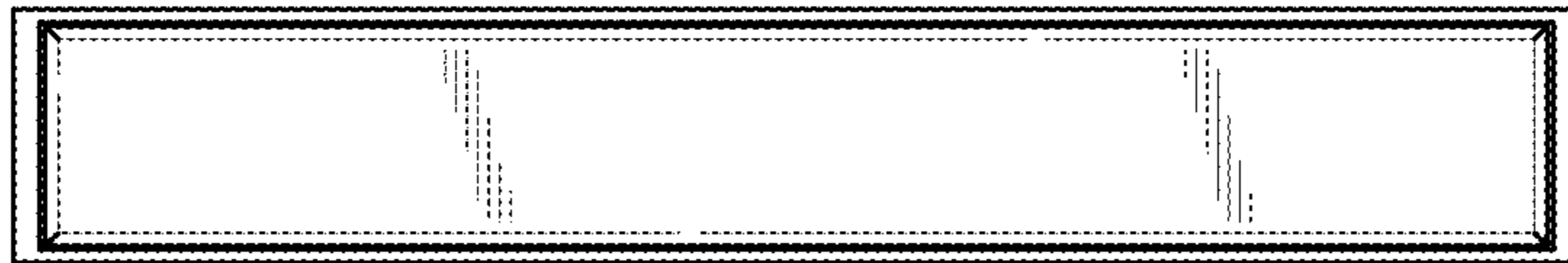


FIG. 5

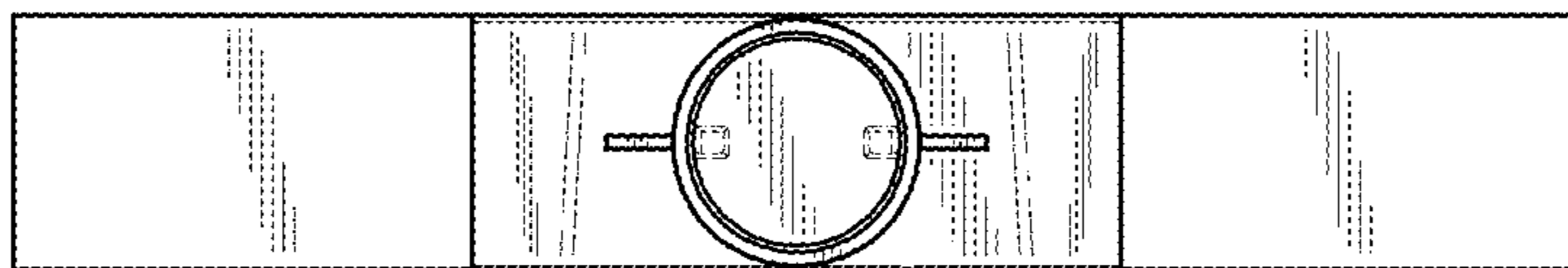


FIG. 6

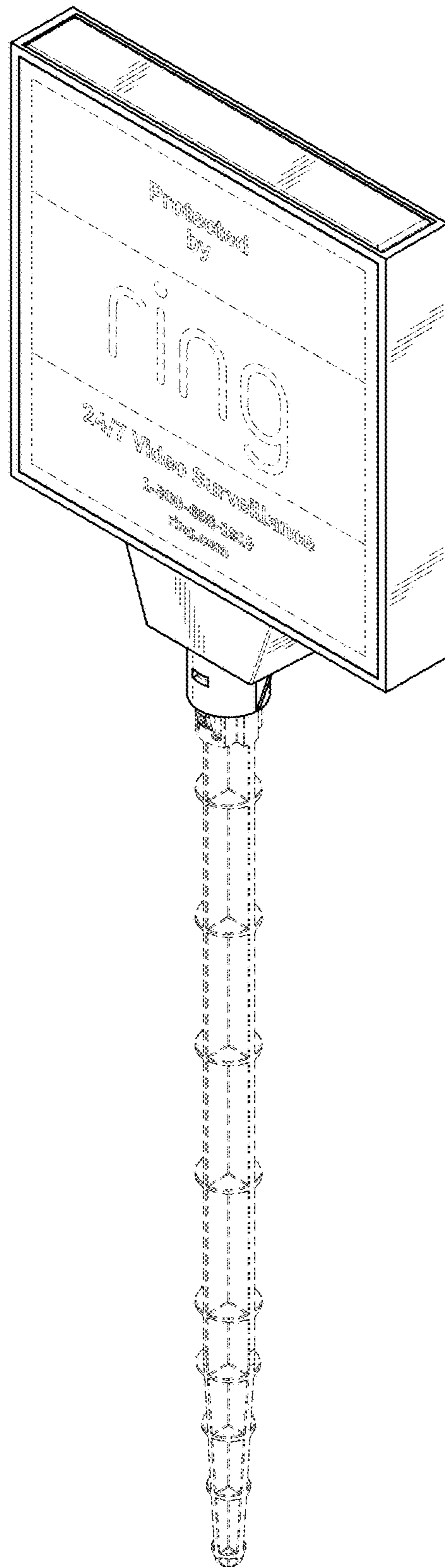


FIG. 7